



US00D397325S

**United States Patent** [19]  
**Kawakami et al.**

[11] **Patent Number: Des. 397,325**

[45] **Date of Patent: \*\*Aug. 25, 1998**

[54] **COORDINATE INPUT DEVICE**

[75] **Inventors: Shinichi Kawakami; Osamu Yoshikawa, both of Tokyo, Japan**

[73] **Assignee: SMK Corporation, Tokyo, Japan**

[\*\*] **Term: 14 Years**

[21] **Appl. No.: 75,944**

[22] **Filed: Aug. 28, 1997**

[30] **Foreign Application Priority Data**

Feb. 28, 1997 [JP] Japan ..... 9-5987

[51] **LOC (6) Cl. .... 14-02**

[52] **U.S. Cl. .... D14/100; D14/114; D21/13**

[58] **Field of Search .... D14/100, 106, D14/115, 113, 114; D18/7; 178/18, 19; 235/145 A, 145 R; 341/22, 23; 345/156, 168, 169, 172, 173, 87; 364/708.1; D21/13, 48**

[56] **References Cited**

**U.S. PATENT DOCUMENTS**

D. 318,884 8/1991 Kojo ..... D21/13

D. 334,218 3/1993 Lee ..... D21/13  
D. 345,147 3/1994 Fukutake et al. .... D14/100  
D. 348,070 6/1994 Vallillee ..... D21/13 X

*Primary Examiner*—Freda Nunn  
*Attorney, Agent, or Firm*—Armstrong, Westerman, Hattori, McLeland & Naughton

[57] **CLAIM**

The ornamental design for a coordinate input device, as shown and described.

**DESCRIPTION**

FIG. 1 is a perspective view taken from the bottom and right side of a coordinate input device showing our new design; FIG. 2 is a front view thereof; FIG. 3 is a rear view thereof; FIG. 4 is a top view thereof; FIG. 5 is a bottom view thereof; FIG. 6 is a left side view thereof; and, FIG. 7 is a right side view thereof.

The broken lines are shown in FIG. 1 for illustrative purposes only and form no part of the claimed design.

**1 Claim, 3 Drawing Sheets**

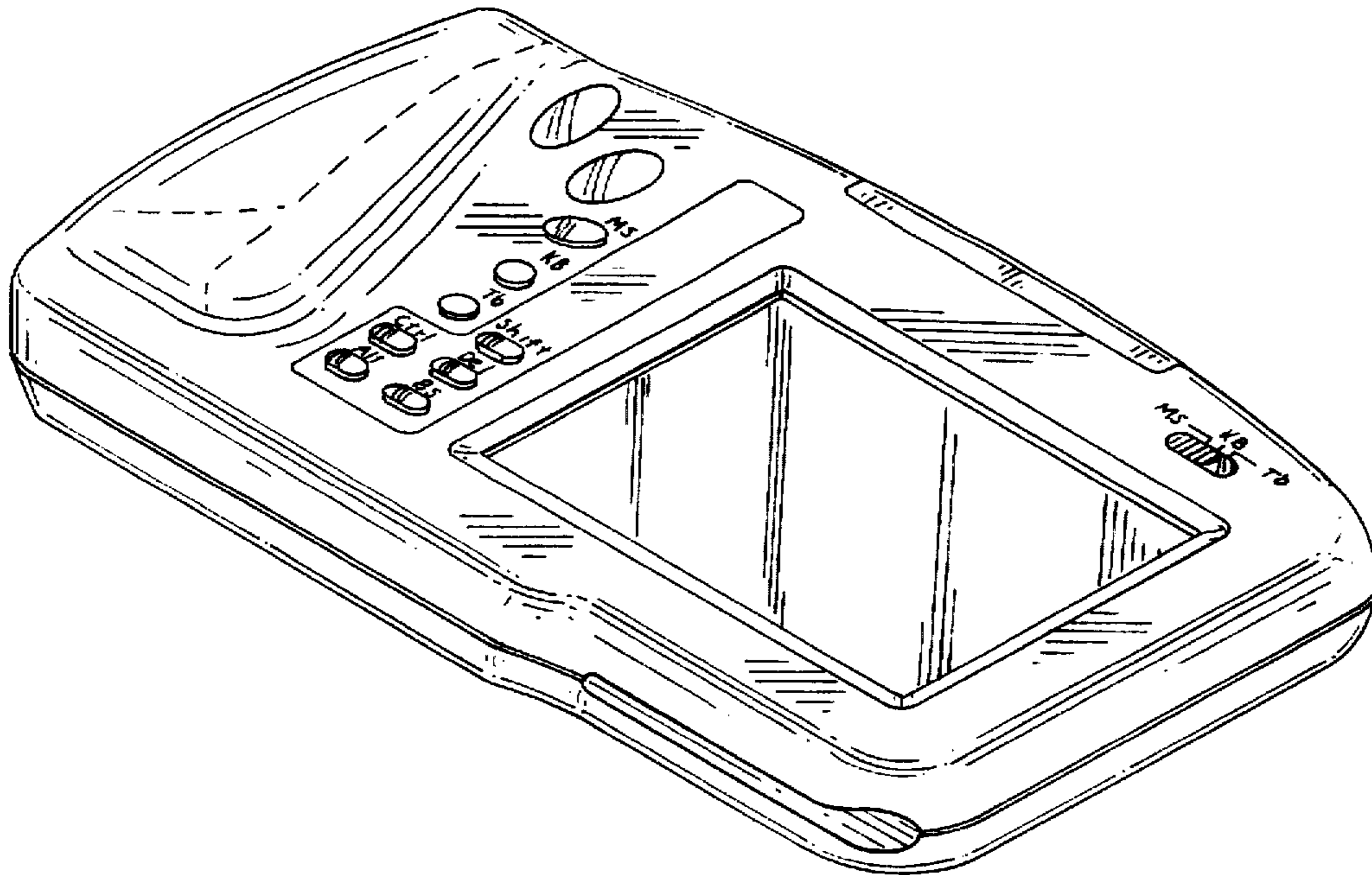


FIG. 1

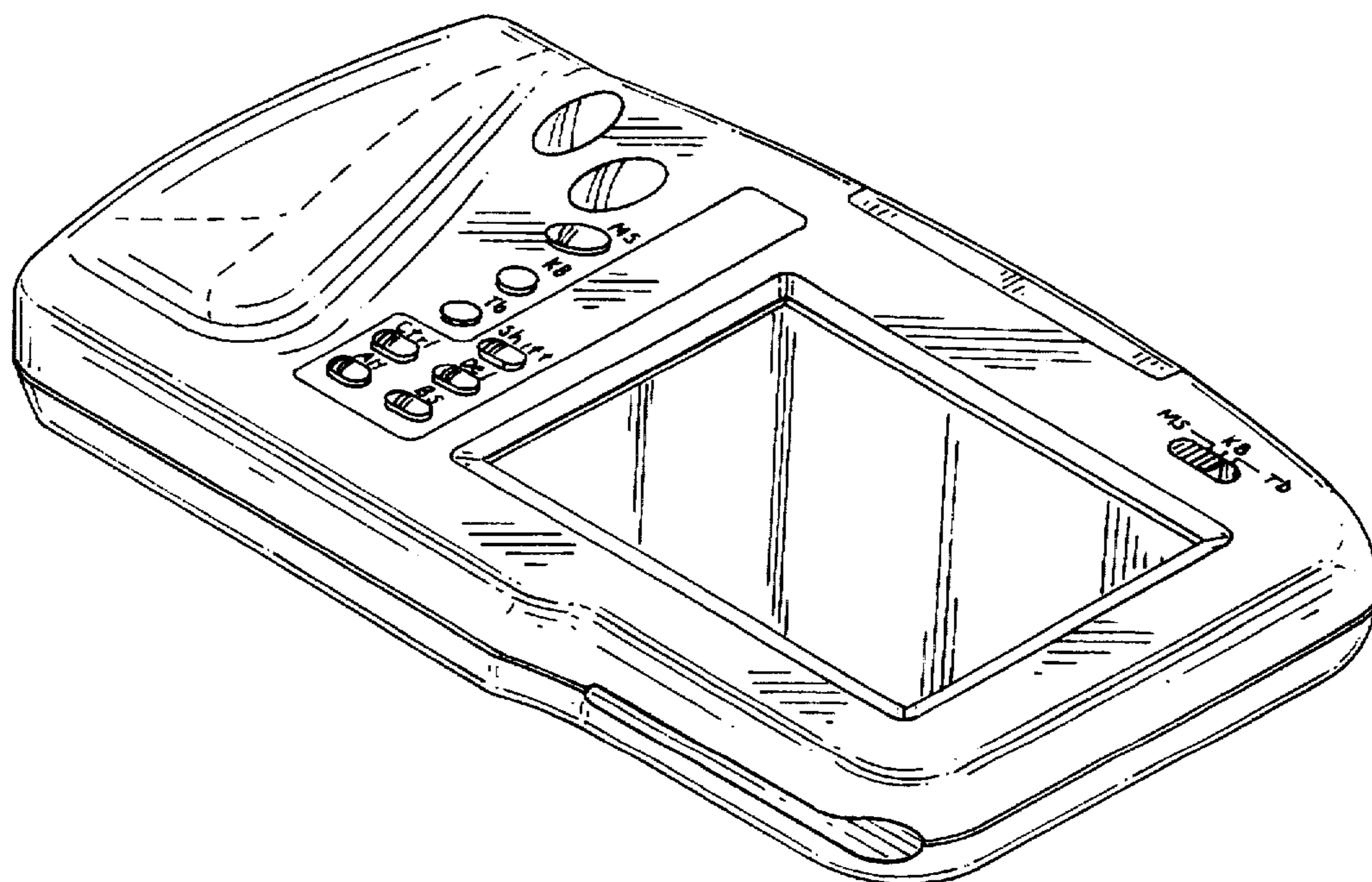


FIG. 2

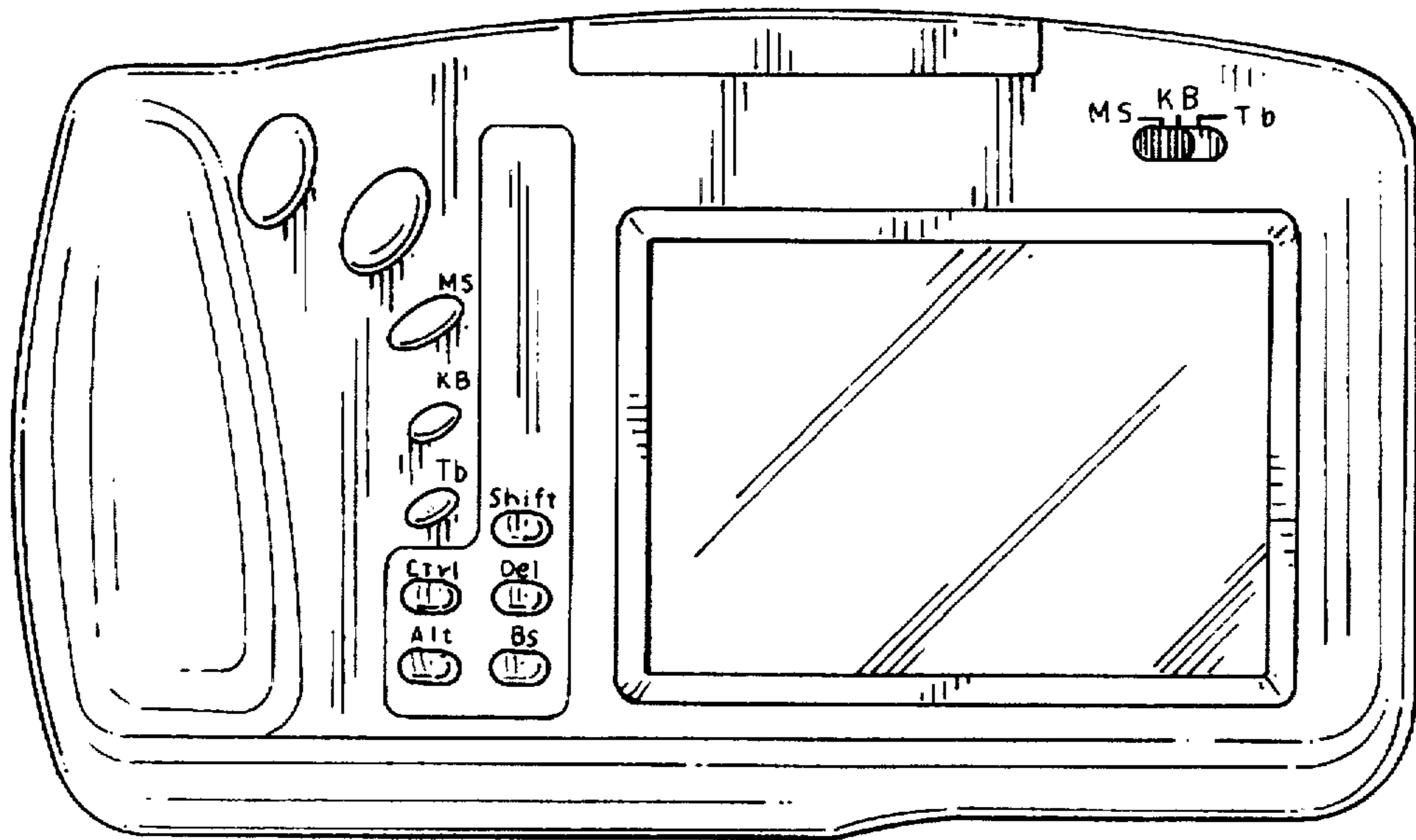


FIG. 3

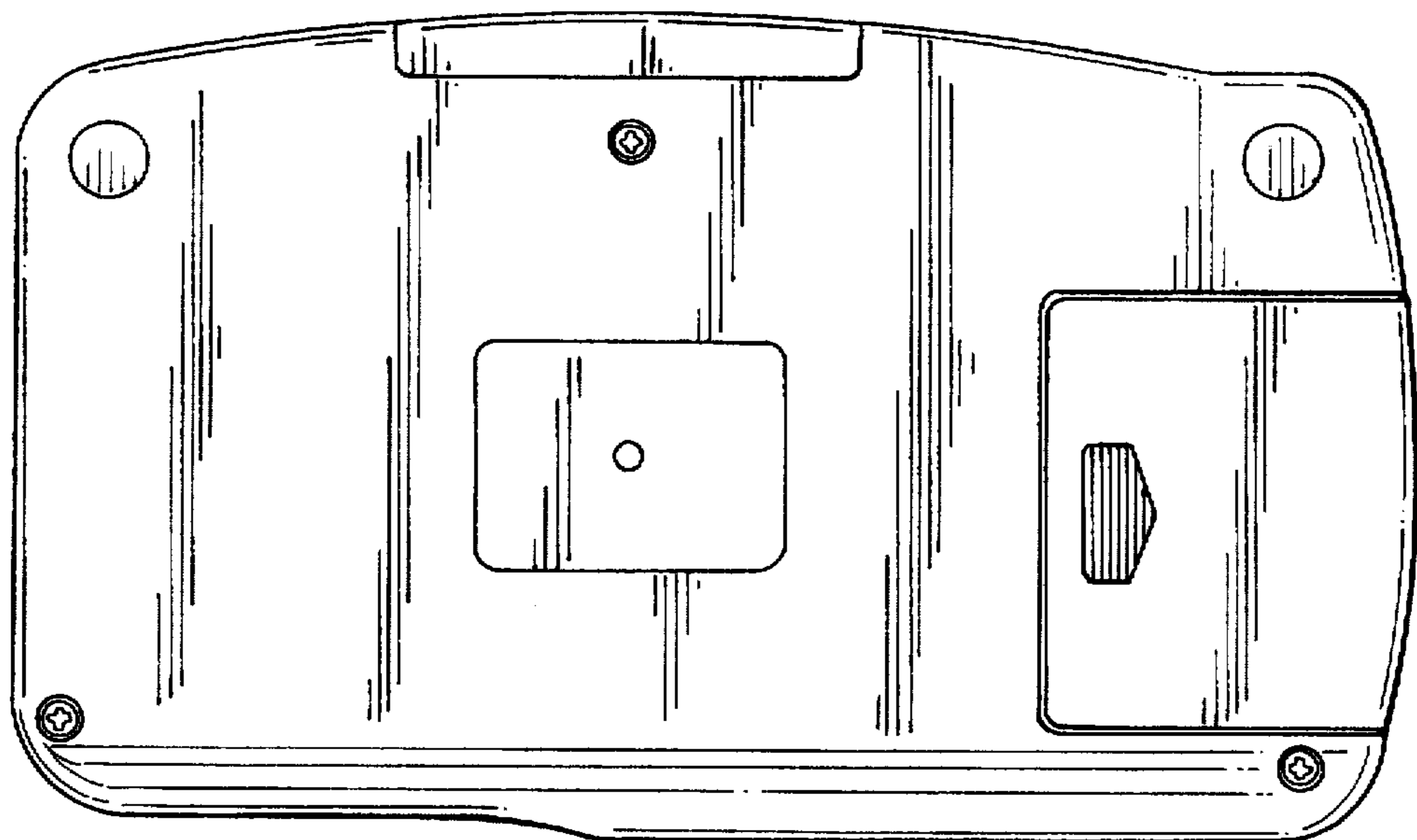


FIG. 4

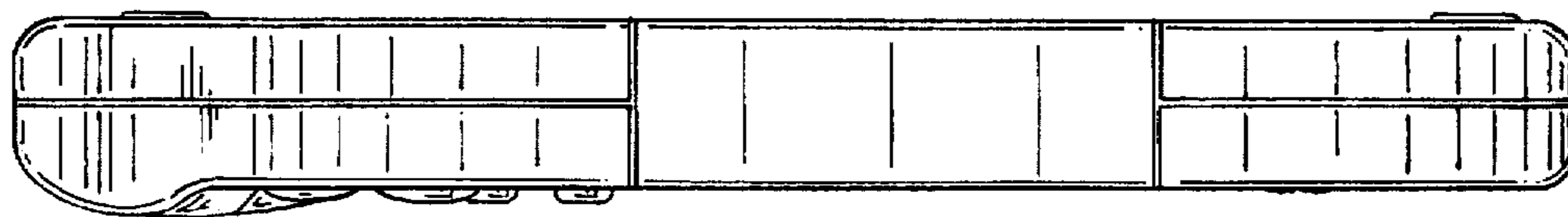


FIG. 5

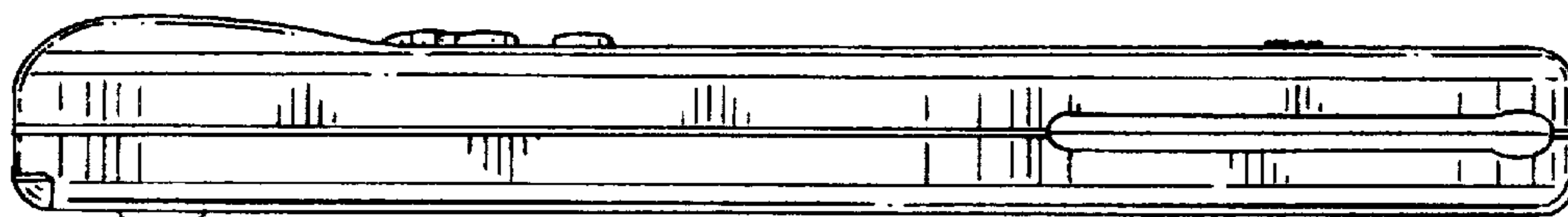


FIG. 6

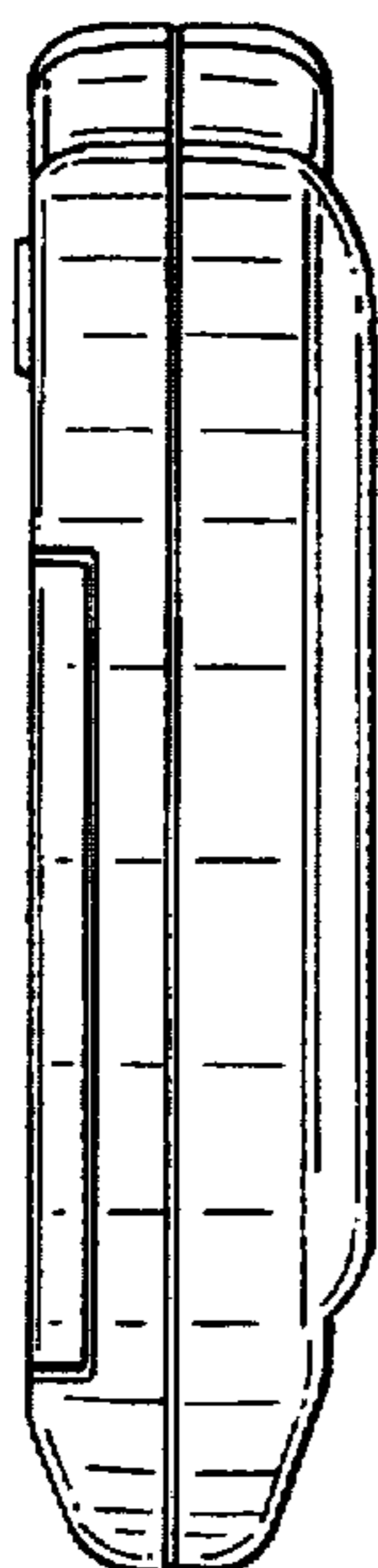


FIG. 7

