



US00D397321S

**United States Patent** [19]  
**Huang**

[11] **Patent Number:** **Des. 397,321**  
[45] **Date of Patent:** **\*\*Aug. 25, 1998**

- [54] **BRACKET FOR HEADLIGHTS**
- [75] **Inventor:** **Nan Huang**, Rancho Palos Verdes, Calif.
- [73] **Assignee:** **Grand General Accessories Manufacturing Inc.**, Compton, Calif.
- [\*\*] **Term:** **14 Years**
- [21] **Appl. No.:** **70,913**
- [22] **Filed:** **May 2, 1997**
- [51] **LOC (6) Cl.** ..... **12-06**
- [52] **U.S. Cl.** ..... **D12/223; D8/354**
- [58] **Field of Search** ..... **D8/349, 354; D12/223; 248/300, 200; 280/96.1; 362/61**

[56] **References Cited**  
**U.S. PATENT DOCUMENTS**

D. 259,017	4/1981	Einhorn	.....	D8/367
D. 370,402	6/1996	Anand et al.	.....	D8/354
5,010,456	4/1991	Reichman et al.	.....	362/61

*Primary Examiner*—Holly Baynham  
*Attorney, Agent, or Firm*—Thomas I. Rozsa; Tony D. Chen

[57] **CLAIM**

The ornamental design for a bracket for headlights, as shown and described.

**DESCRIPTION**

FIG. 1 is an environmental perspective view of the bracket for headlights with the broken line showing of a partial truck being for illustrative purposes only and forming no part of the claimed design;

FIG. 2 is a front elevational view;

FIG. 3 is a rear elevational view;

FIG. 4 is a side elevational view when viewed from the left side of FIG. 2;

FIG. 5 is a side elevational view when viewed from the right side of FIG. 2;

FIG. 6 is a top plan view; and,

FIG. 7 is a bottom plan view.

**1 Claim, 2 Drawing Sheets**

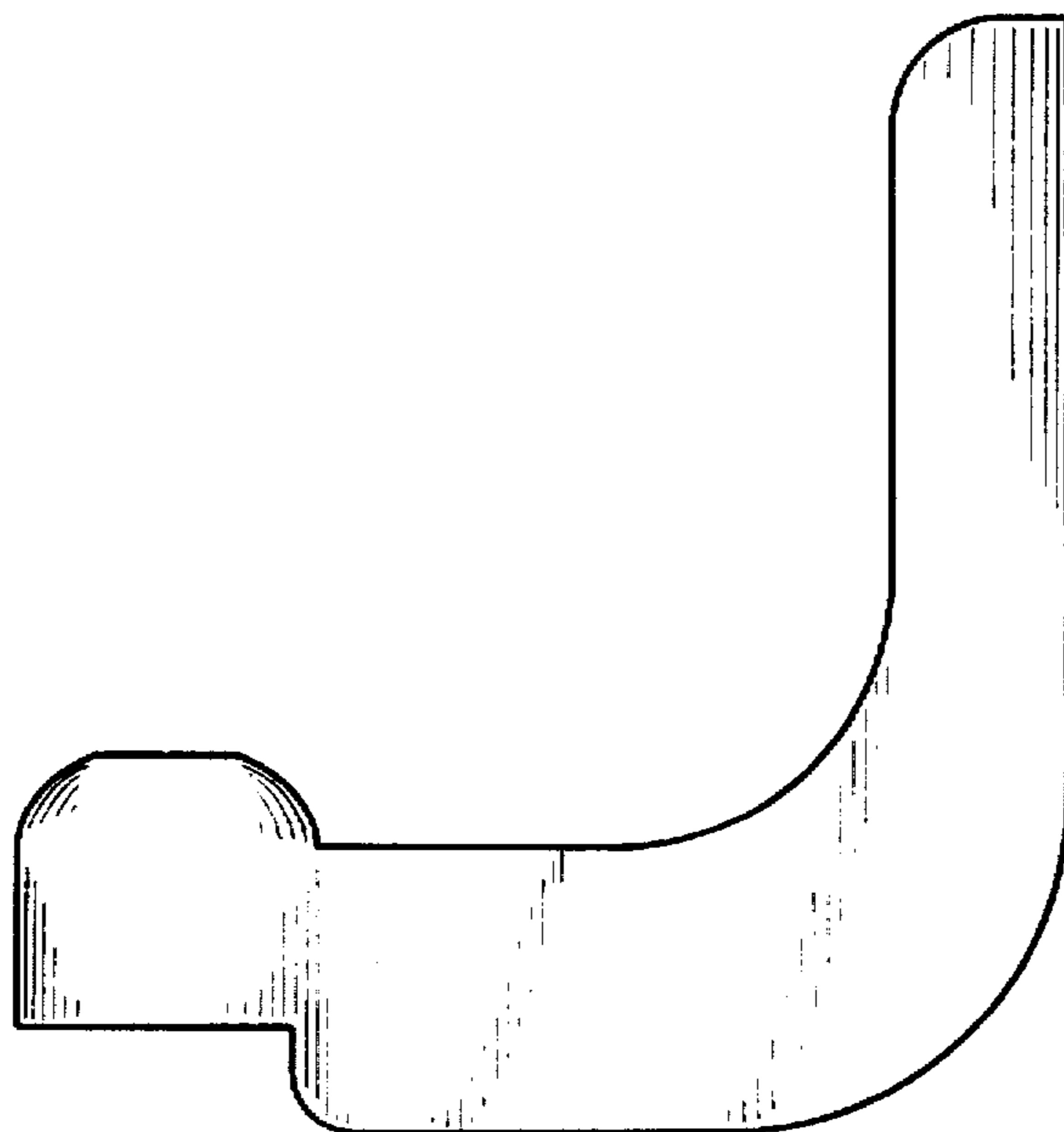


FIG.1

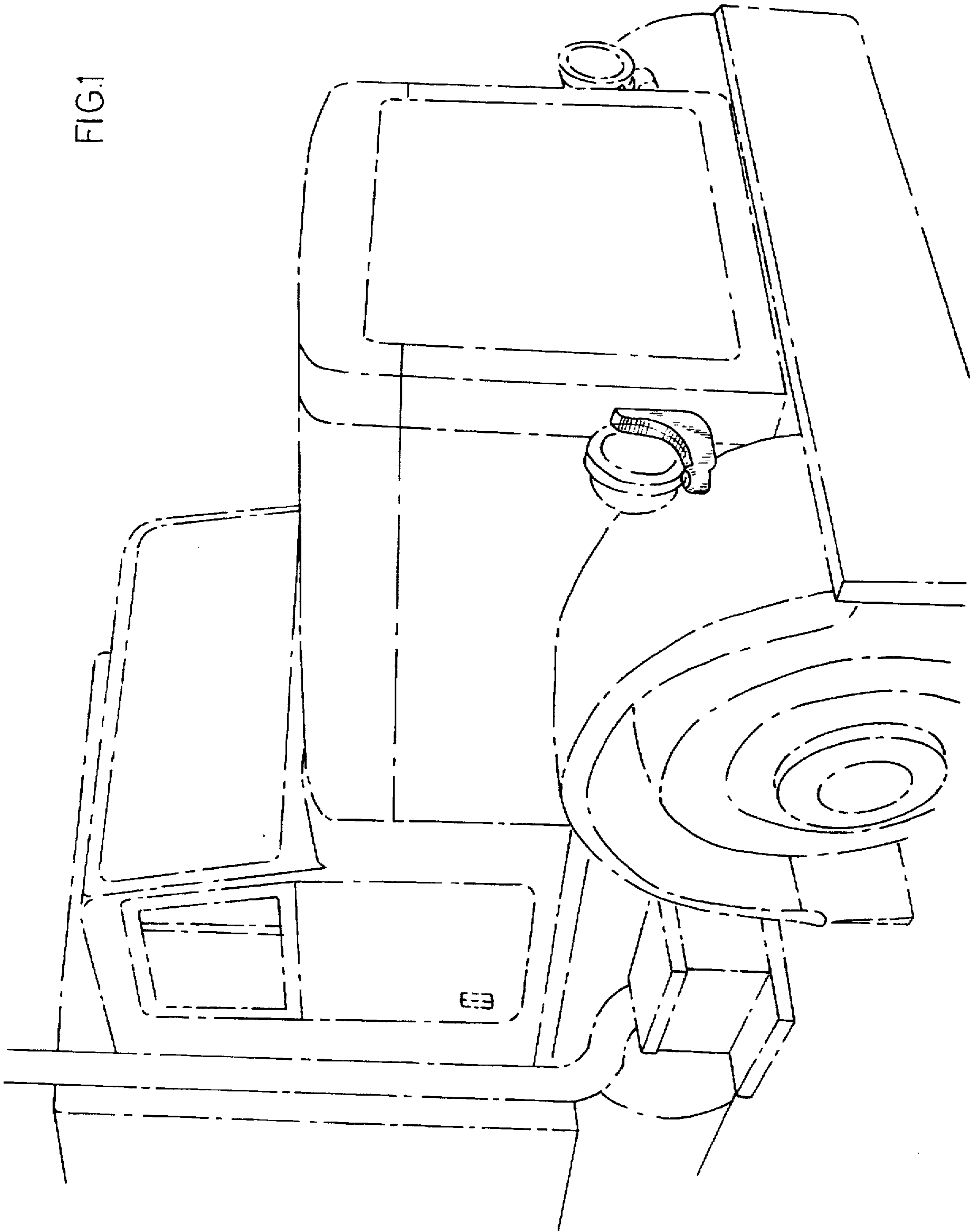


FIG.2

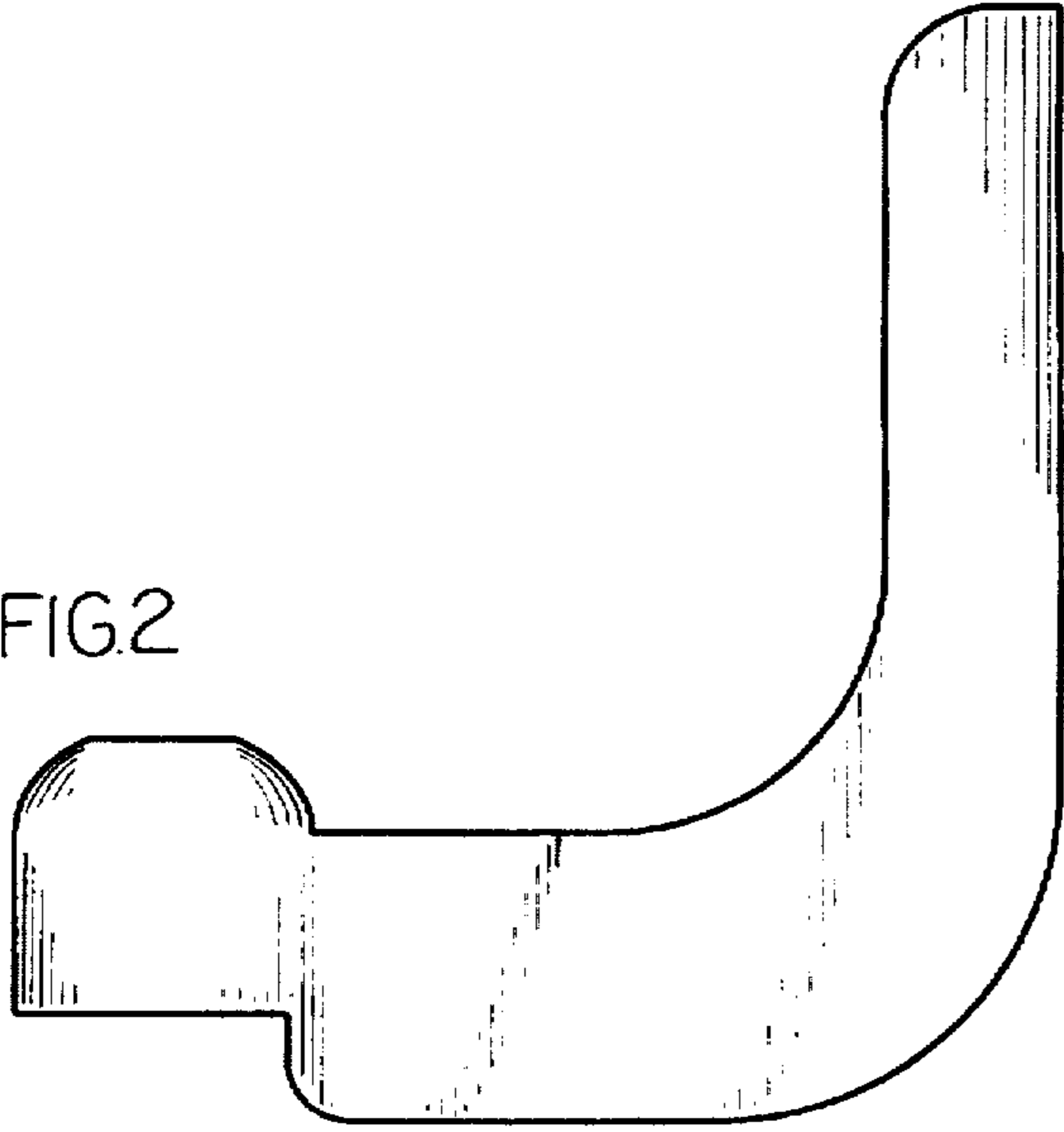


FIG.3

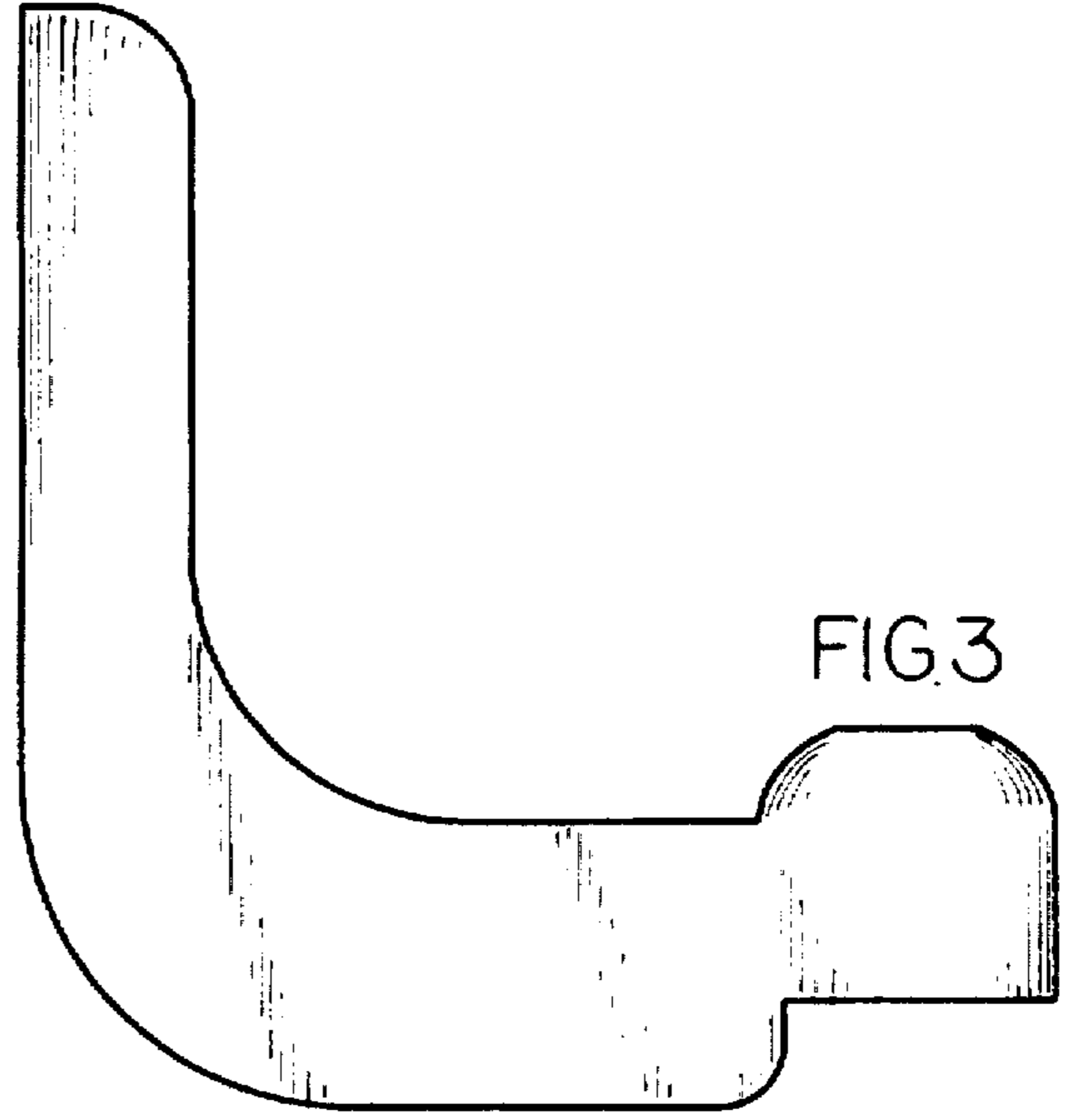


FIG.4

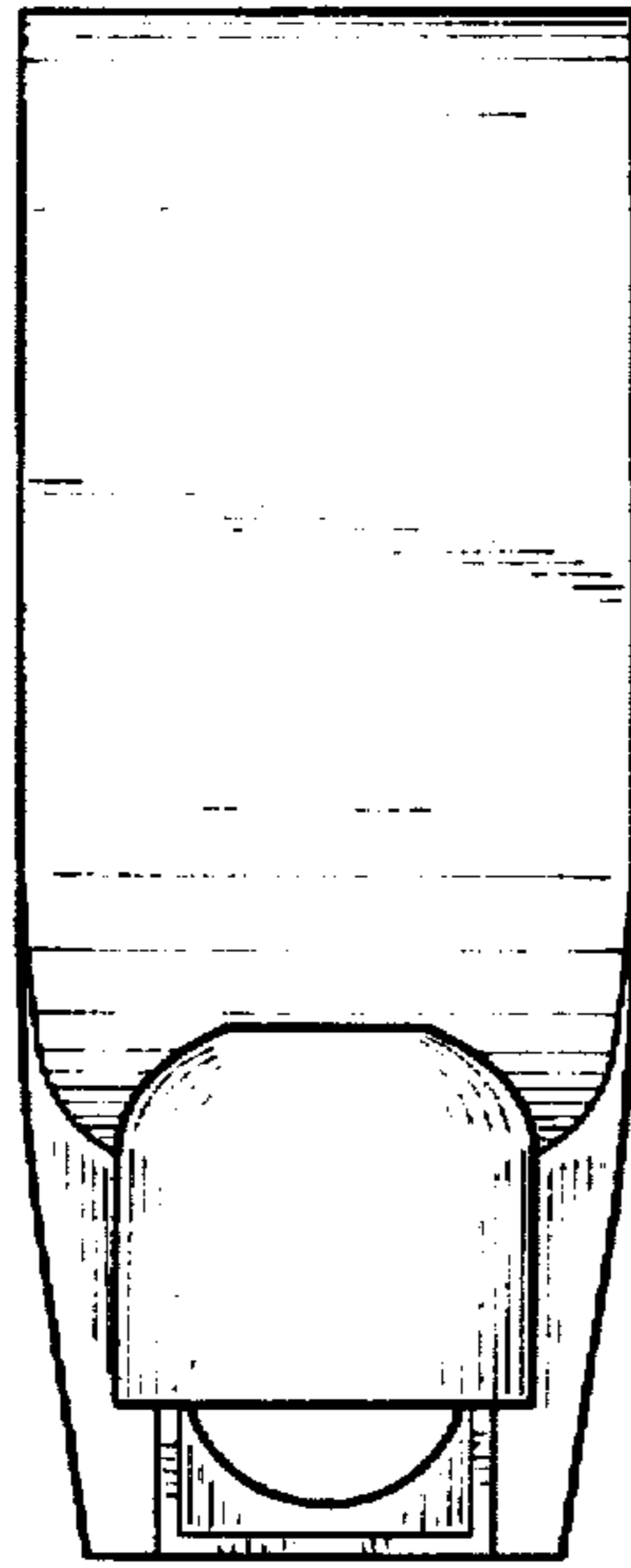


FIG.5

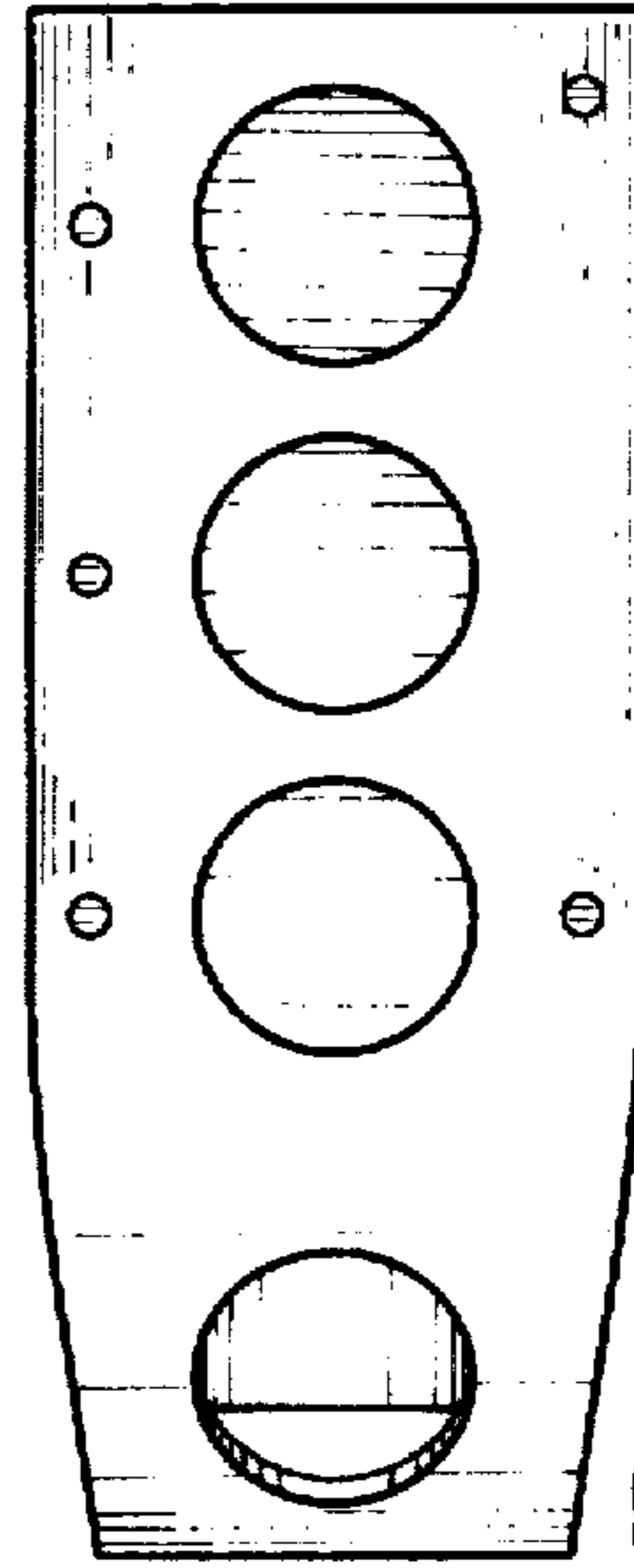


FIG.6

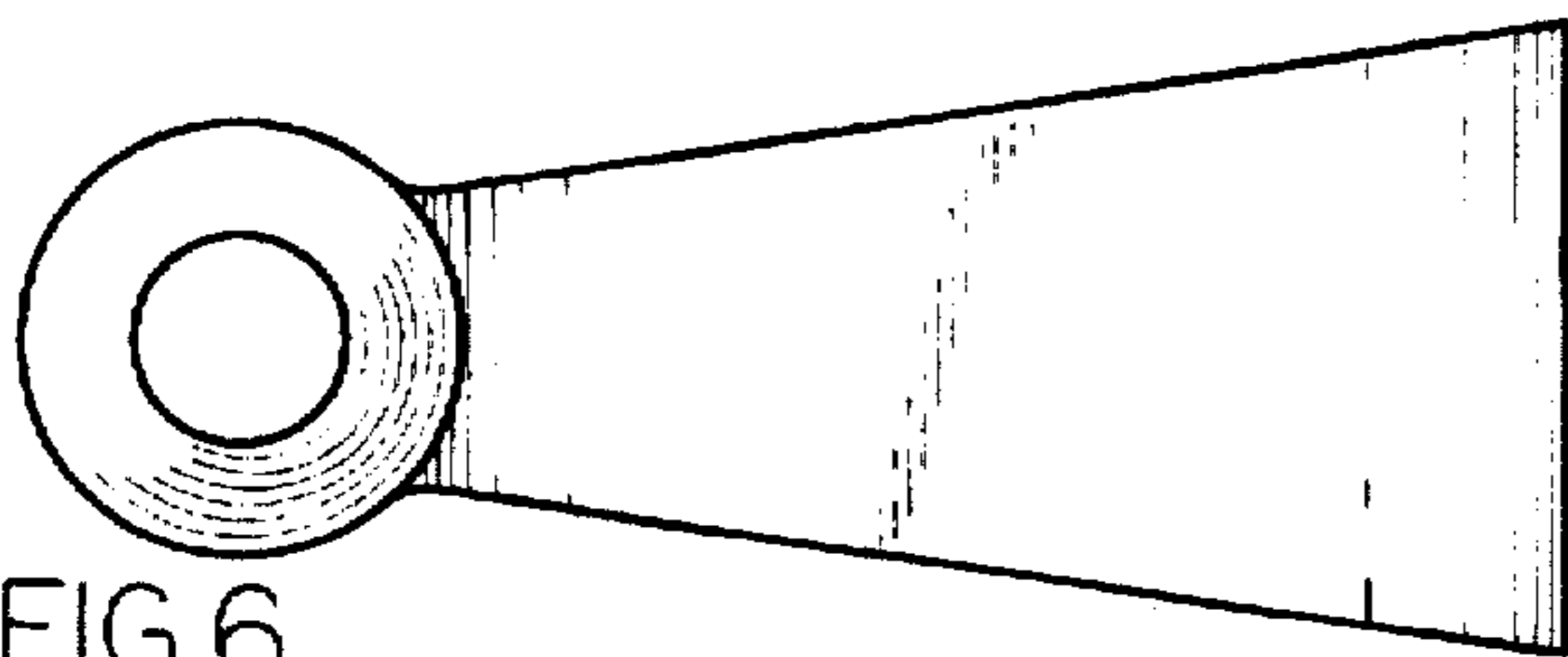


FIG.7

