



US00D397317S

# United States Patent [19] Hoagland, IV

[11] Patent Number: Des. 397,317  
[45] Date of Patent: \*\*Aug. 25, 1998

## [54] MOTORCYCLE SIDE VIEW MIRROR

[76] Inventor: Calvin C. Hoagland, IV, 6 Widewater Rd., Hilton Head Island, S.C. 29926-2021

[\*\*] Term: 14 Years

[21] Appl. No.: 79,710

[22] Filed: Nov. 21, 1997

### Related U.S. Application Data

[62] Division of Ser. No. 58,301, Jul. 11, 1996, Pat. No. Des. 390,507.

[51] LOC (6) Cl. .... 12-16

[52] U.S. Cl. .... D12/189

[58] Field of Search ..... D12/187-189;  
359/838, 849, 842-844, 850, 854, 860,  
862-866, 868, 871-874, 876, 881

### [56] References Cited

#### U.S. PATENT DOCUMENTS

D. 51,851	11/1918	Bloom	.....	D9/439
D. 58,630	8/1921	Ruckman	.....	D12/197
D. 104,786	7/1937	Lumiere	.....	D12/83
D. 149,122	10/1948	Goodwin	.....	D12/194
D. 178,648	9/1956	Collura	.....	D12/189
D. 187,370	3/1960	Sanders	.....	D12/189
D. 190,025	4/1961	Stortz	.....	D12/189
D. 192,852	5/1962	Walker	.....	D12/189
D. 222,718	12/1971	Kerwen	.....	D12/189
D. 246,038	10/1977	Moller	.....	D12/194
D. 250,467	12/1978	O'Banion	.....	D12/197

D. 254,208	2/1980	Breslow	.....	D12/189
D. 266,167	9/1982	Lindbrandt	.....	D15/5
D. 266,833	11/1982	Wharton	.....	D12/83
D. 273,373	4/1984	Levine et al.	.....	D12/83
D. 332,838	1/1993	Lu	.....	D6/28
D. 340,513	10/1993	Stahel, II et al.	.....	D12/114
D. 348,645	7/1994	Hitchcock et al.	.....	D12/197
D. 353,357	12/1994	Weinberg et al.	.....	D12/197
D. 354,460	1/1995	Davidson et al.	.....	D12/126
D. 363,259	10/1995	Davidson et al.	.....	D12/126
D. 363,694	10/1995	Birgel	.....	D12/189
D. 390,507	2/1998	Hoagland	.....	D12/126
618,634	1/1899	Young et al.	.....	296/21
3,021,757	9/1962	Ellis, Jr.	.....	359/508

### OTHER PUBLICATIONS

Drug Specialties Catalog, 1995, p. 160, the two wheel thunder aluminum performance are cleaners.

Primary Examiner—Melody N. Brown  
Attorney, Agent, or Firm—Jacobson, Price, Holman & Stern, PLLC

### [57] CLAIM

The ornamental design for a motorcycle side view mirror, as shown and described.

### DESCRIPTION

FIG. 1 is a front perspective view showing my new design for a motorcycle side view mirror;  
FIG. 2 is a rear perspective view thereof;  
FIG. 3 is a side view thereof;  
FIG. 4 is a front view thereof; and,  
FIG. 5 is a rear view thereof.

1 Claim, 1 Drawing Sheet

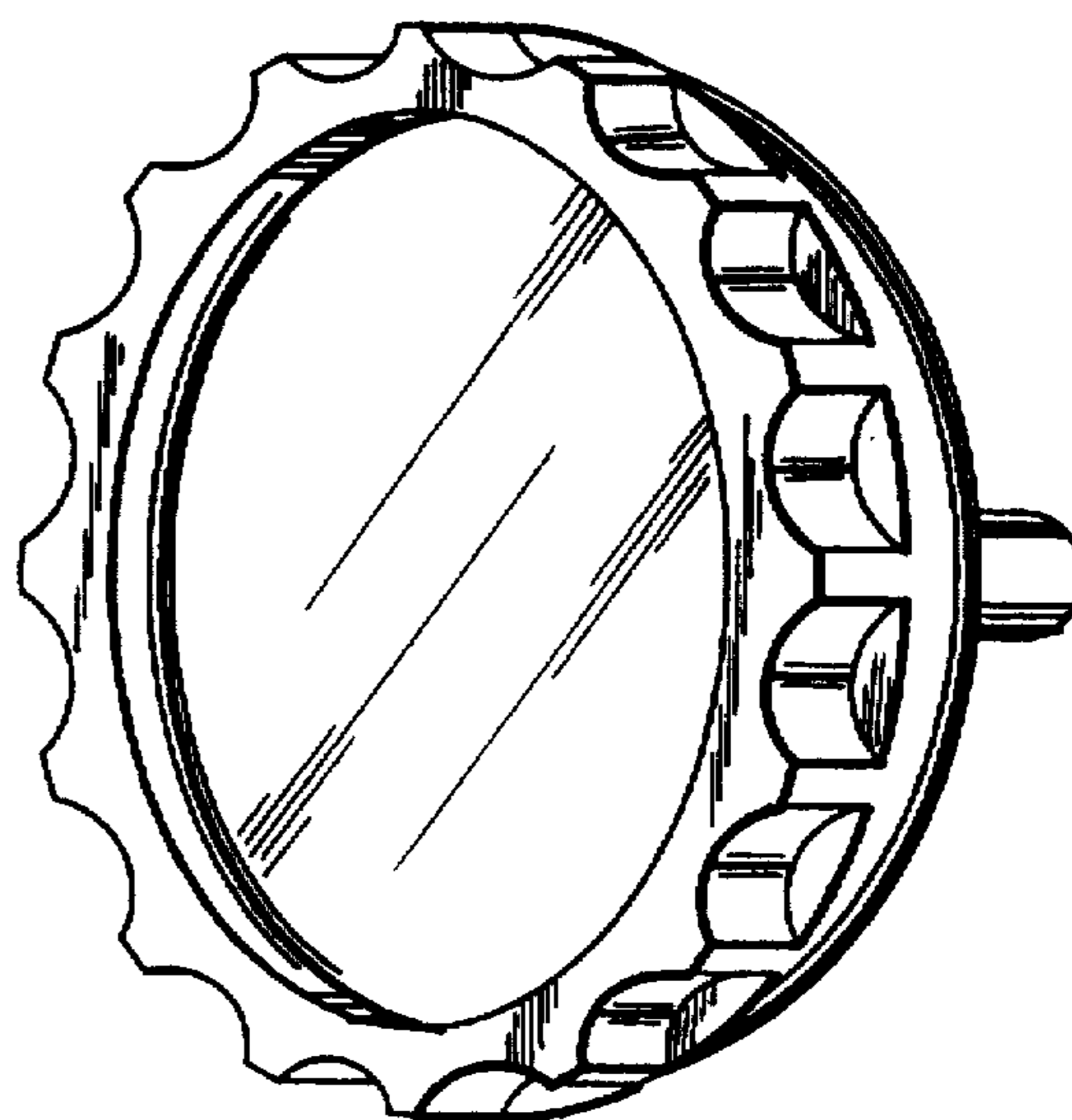
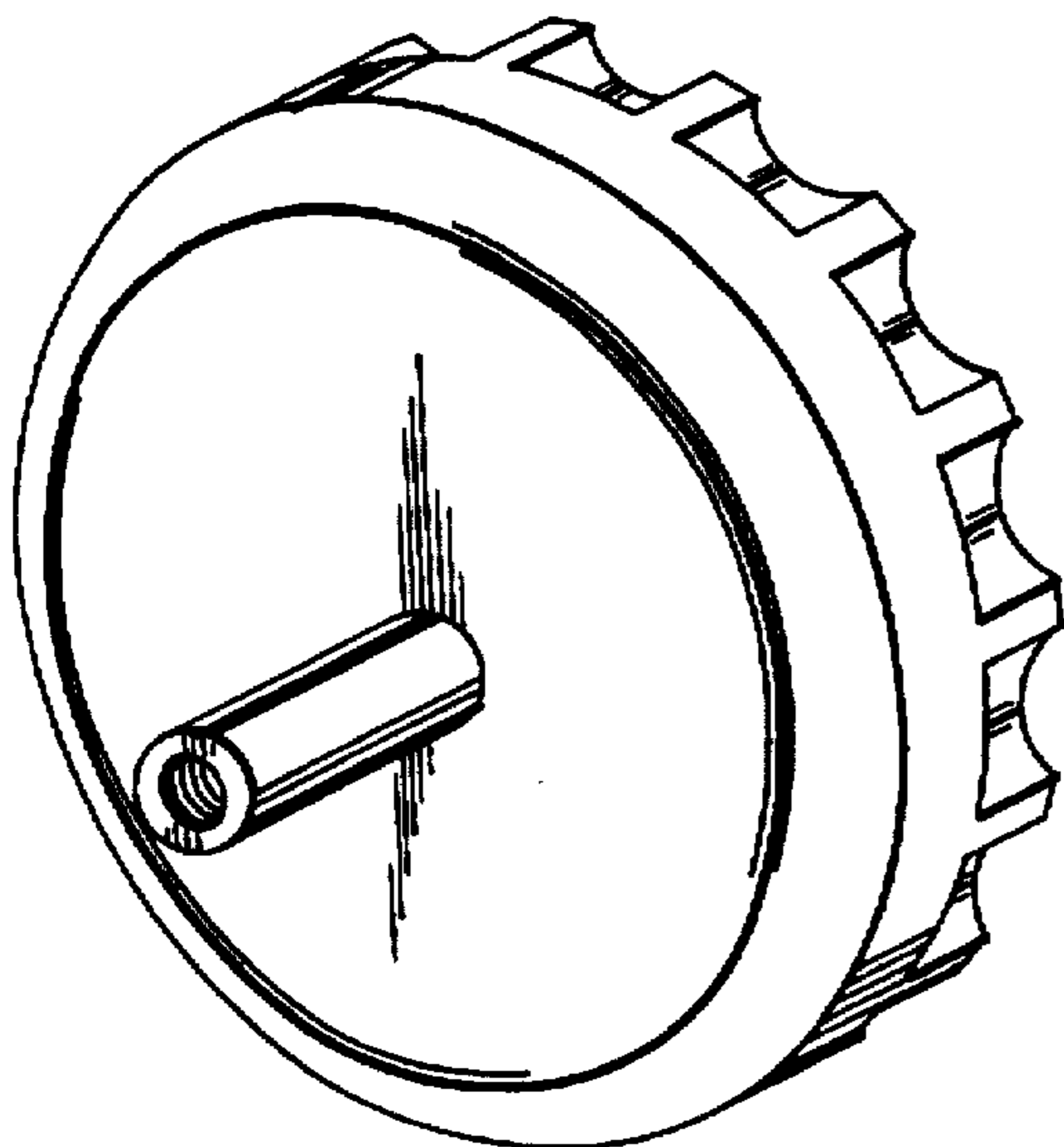


FIG. 1

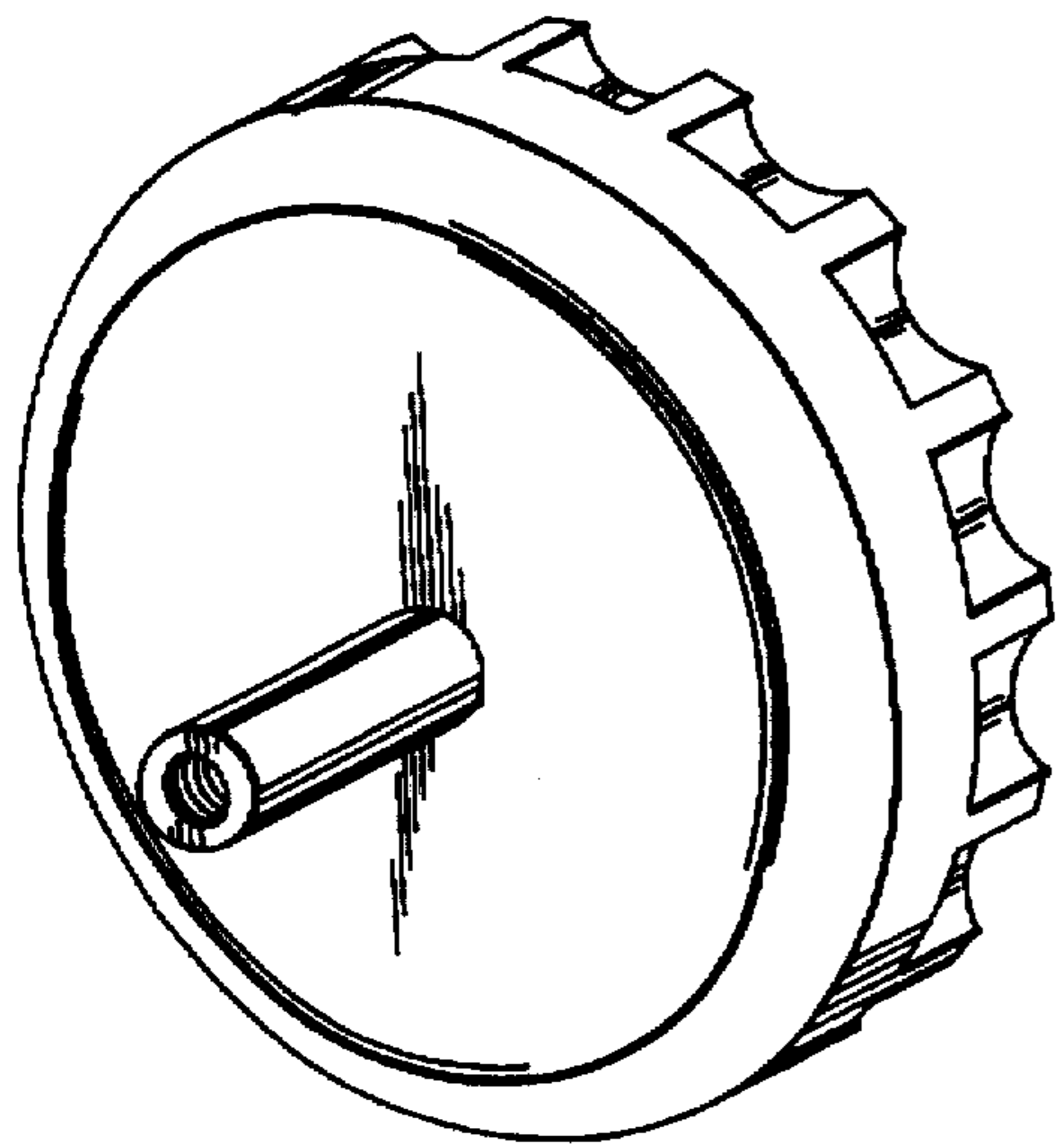


FIG. 2

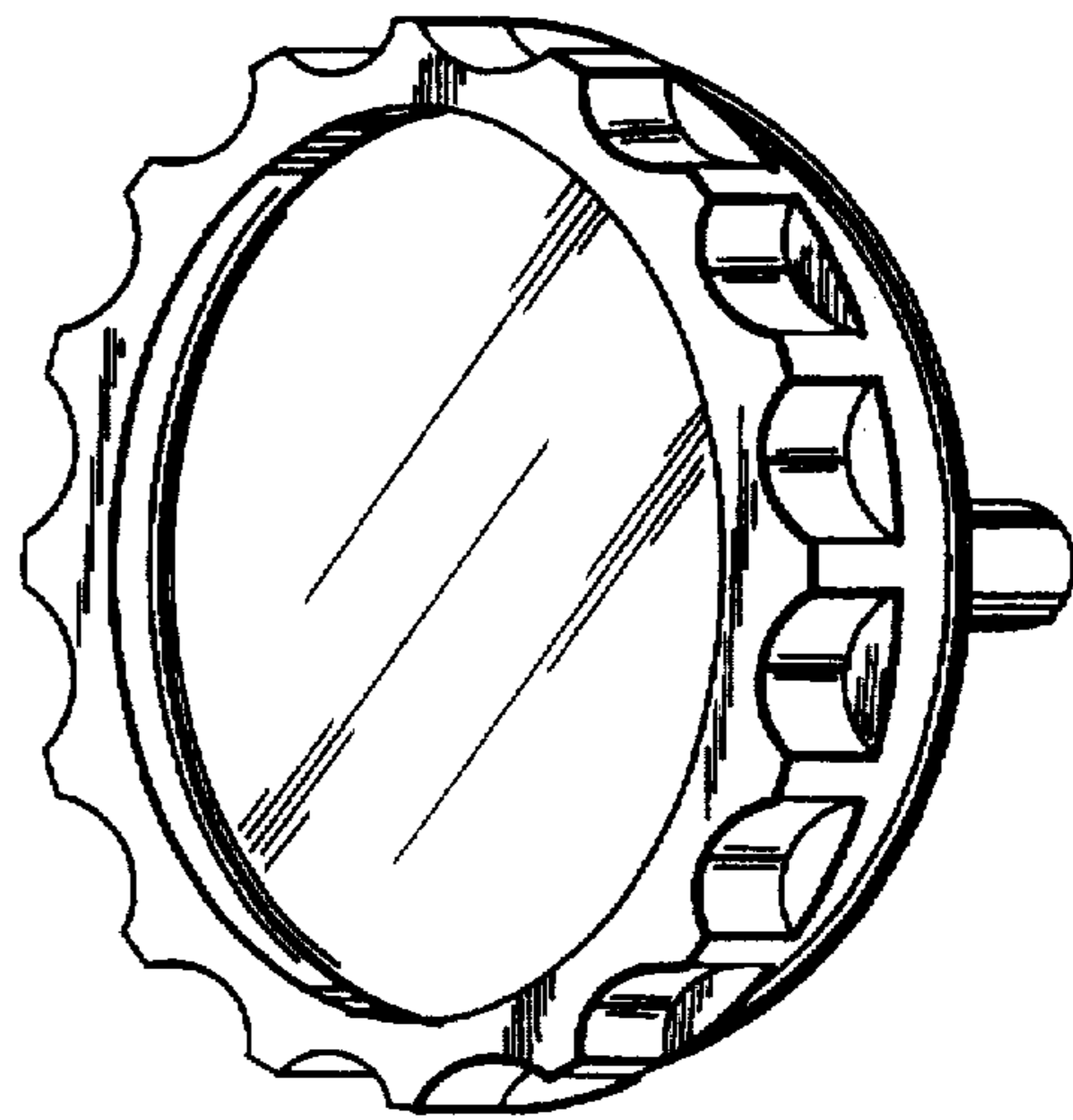


FIG. 3

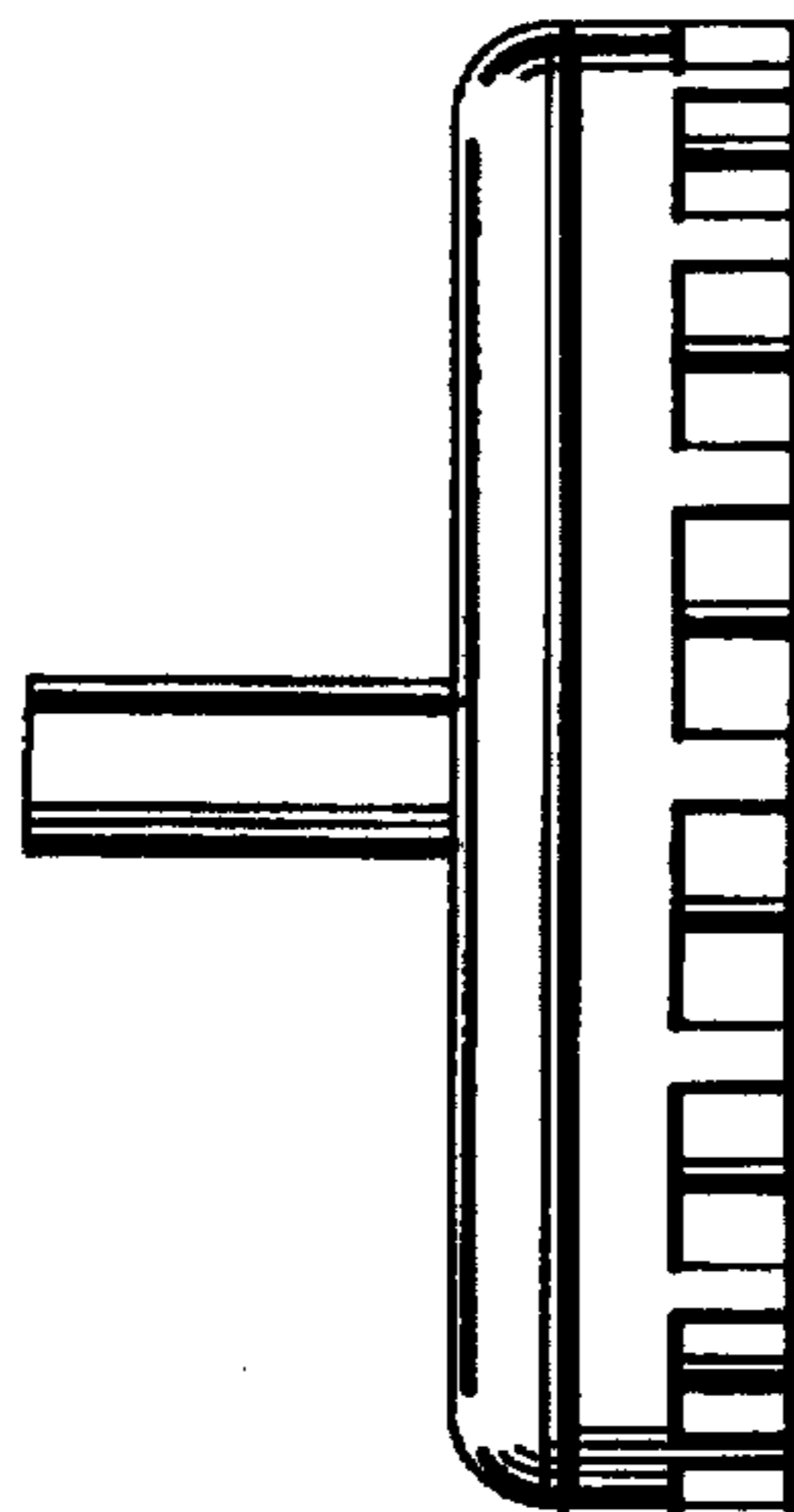


FIG. 4

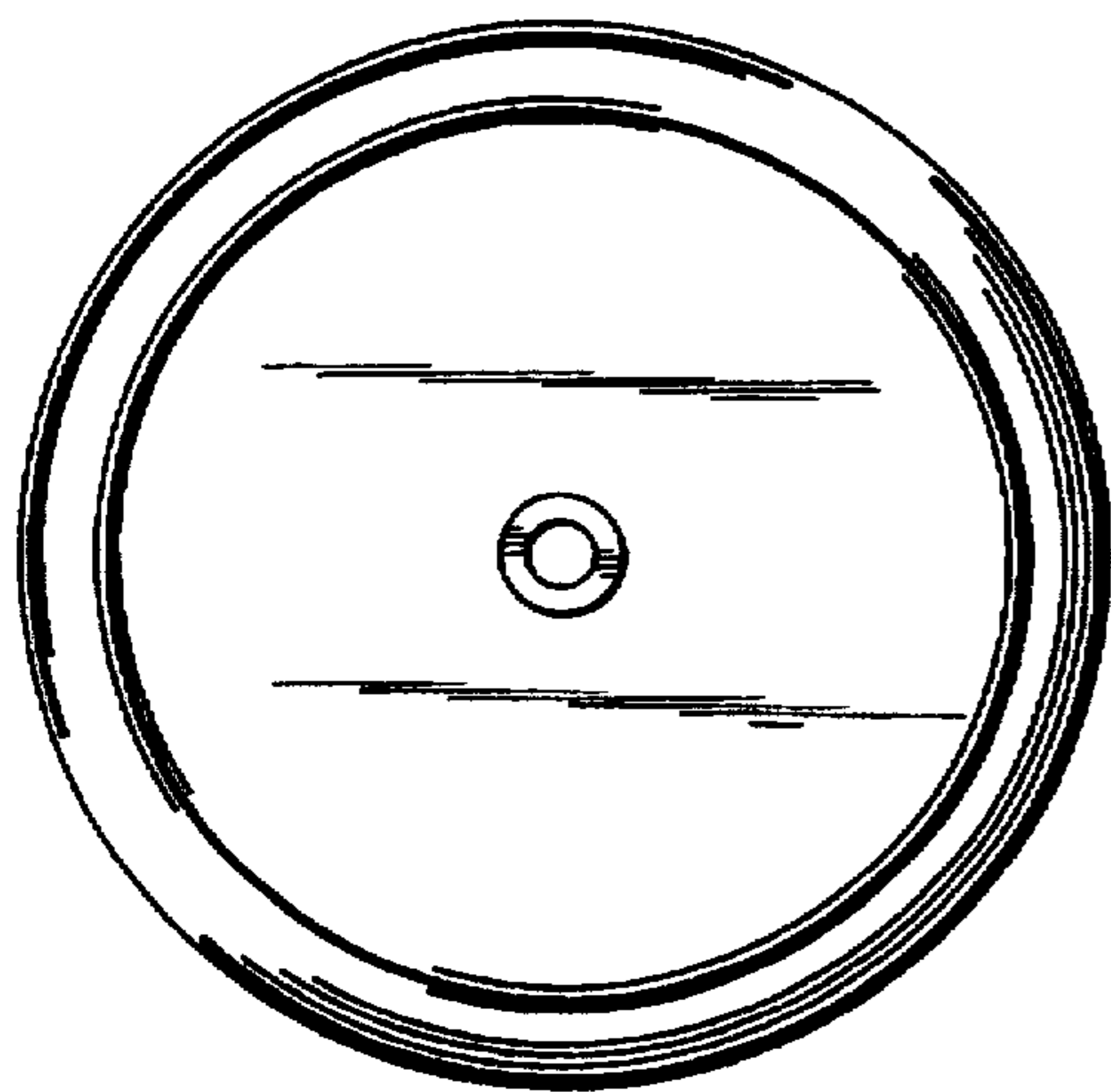


FIG. 5

