



US00D397306S

United States Patent [19]
Ross, Jr.

[11] **Patent Number: Des. 397,306**
[45] **Date of Patent: **Aug. 25, 1998**

[54] **GAUGE DIAL**

[75] **Inventor: Herbert G. Ross, Jr., Argyle, Tex.**

[73] **Assignee: Rochester Gauges, Inc., Dallas, Tex.**

[**] **Term: 14 Years**

[21] **Appl. No.: 73,004**

[22] **Filed: Jun. 27, 1997**

[51] **LOC (6) Cl. 10-04**

[52] **U.S. Cl. D10/103**

[58] **Field of Search D10/101, 102,
D10/103, 96; 73/290 R, 305, 313, 317,
318; 116/204, 284, 56-62.4, 227, 264,
265, 271, DIG. 7, DIG. 20**

[56] **References Cited**

U.S. PATENT DOCUMENTS

D. 313,949	1/1991	Fekete	D10/57
D. 363,888	11/1995	Williamson	D10/96
2,836,144	5/1958	Morphis	D10/103
2,992,560	7/1961	Morgan et al.	73/317
3,739,641	6/1973	Taylor et al.	73/313

OTHER PUBLICATIONS

Rochester Gauges, Inc., EZ-Read TwinSite™ Sender Installation/Conversion Technical Data Sheet DS-923, 4 pages.
Rochester Gauges, Inc., Senior EZ-Read TwinSite™ Sender for Industrial Service Technical Data Sheet TS002, Mar. 25, 1994, 2 pages.

Rochester Gauges, Inc., Junior EZ-Read TwinSite™ Sender for Industrial Service Technical Data Sheet TS003, Mar. 25, 1994, 2 pages.

Rochester Gauges, Inc., Voltage Divider TwinSite™ Sender Technical Data Sheet VD001, Jan. 21, 1994, 2 pages.

Rochester Gauges, Inc., TwinSite™ Switch Technical Data Sheet VD002, Jan. 21, 1994, 2 pages.

Rochester Gauges, Inc., Junior EZ-Read TwinSite™ Two-Terminal Sender, May 27, 1992, 2 pages.

Rochester Gauges, Inc., Various Gauges, Aug. 1993, one page.

Rochester Gauges, Inc., Industrial Liquid Level Gauges, Specifications Brochure, 12 pages.

Primary Examiner—Antoine Duval Davis
Attorney, Agent, or Firm—Sidley & Austin

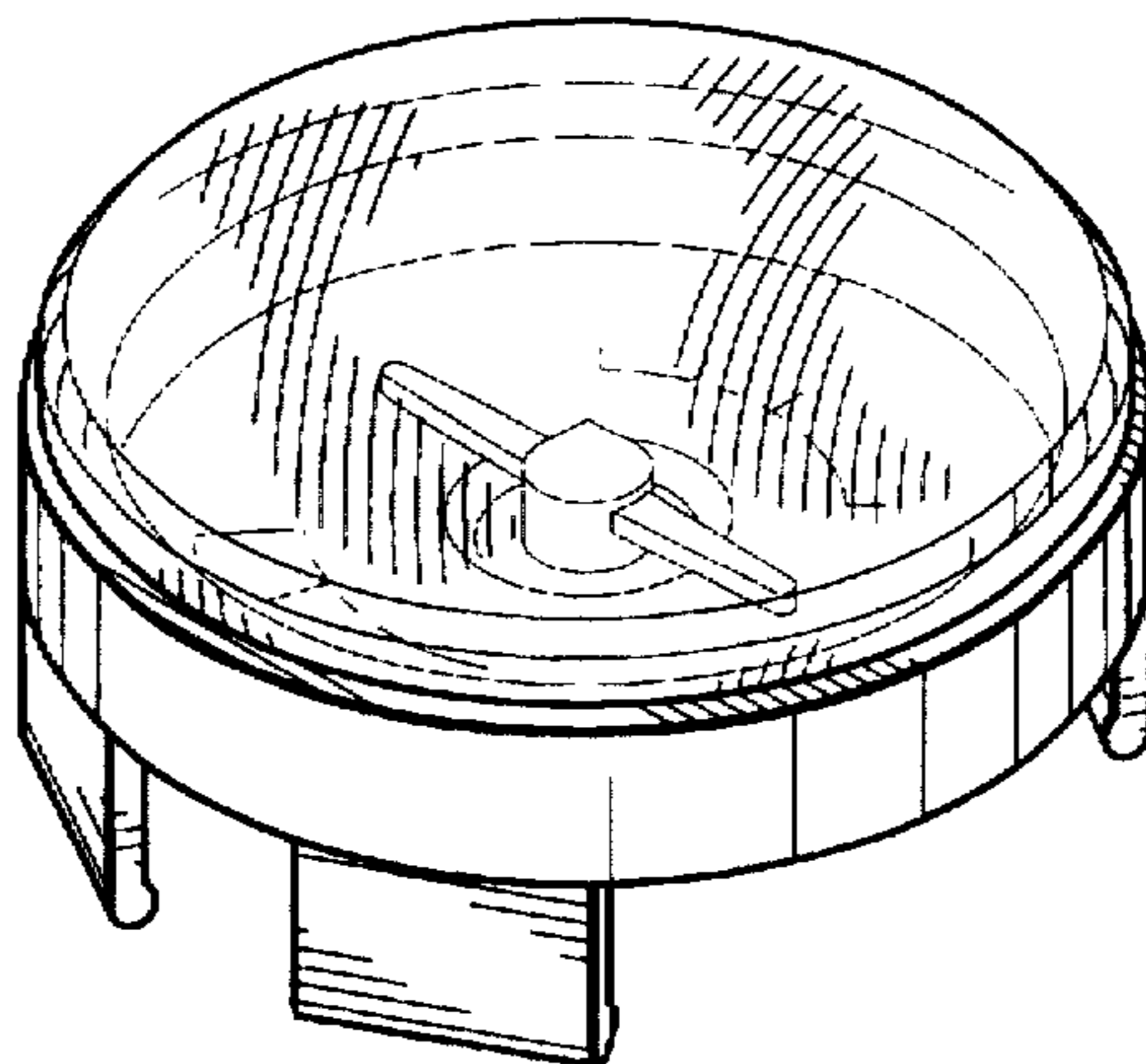
[57] **CLAIM**

The ornamental design for a gauge dial, as shown and described.

DESCRIPTION

FIG. 1 is a perspective view of a first embodiment of the gauge dial;
FIG. 2 is a front view of the gauge dial of FIG. 1;
FIG. 3 is a side view of the gauge dial of FIG. 1;
FIG. 4 is a back view of the gauge dial of FIG. 1;
FIG. 5 is the opposite side view of the gauge dial of FIG. 1;
FIG. 6 is a top view of the gauge dial of FIG. 1; and,
FIG. 7 is a bottom view of the gauge dial of FIG. 1.
The broken line showing is for illustrative purposes only and forms no part of the claimed design.

1 Claim, 1 Drawing Sheet



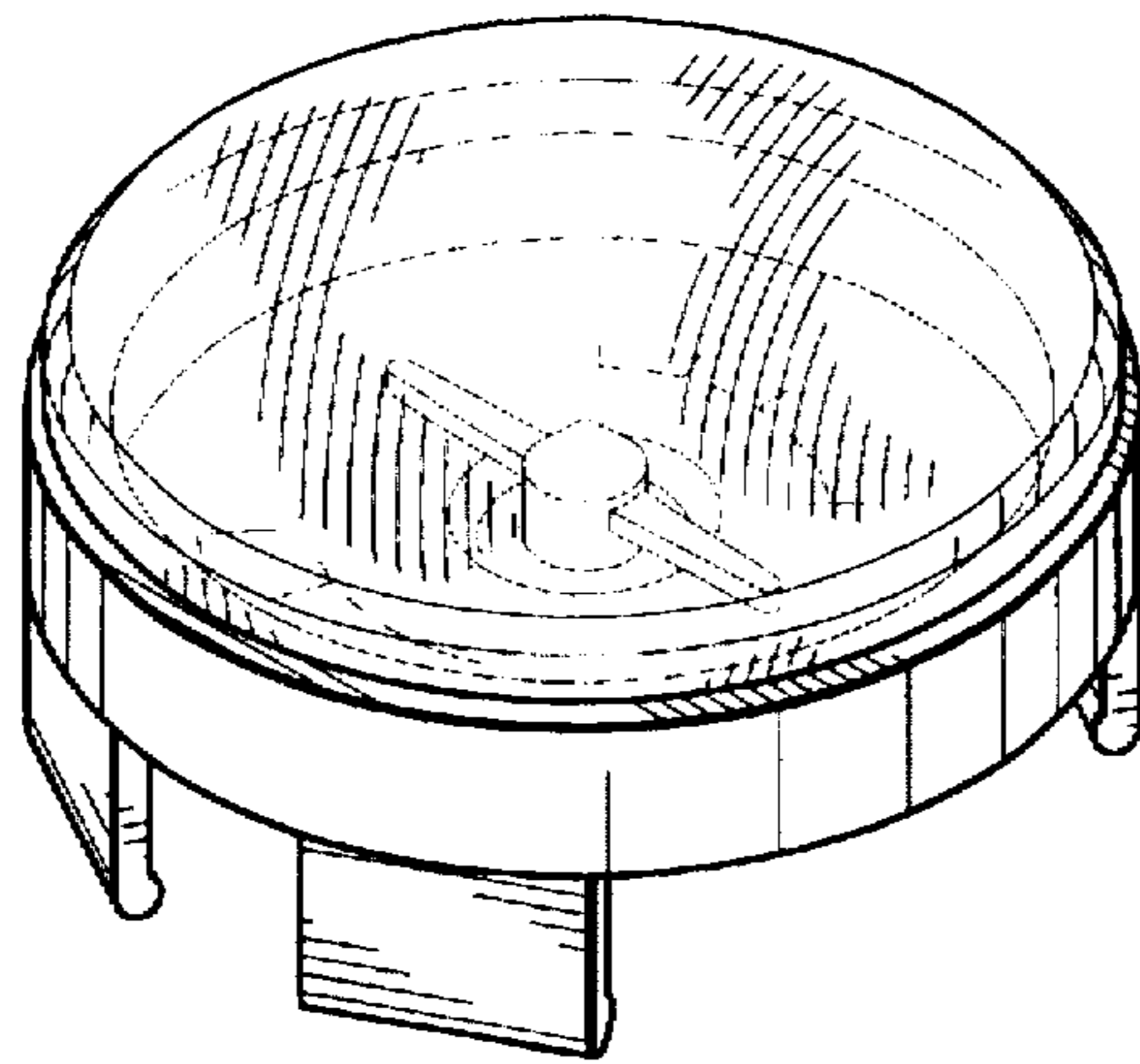


FIG. 1

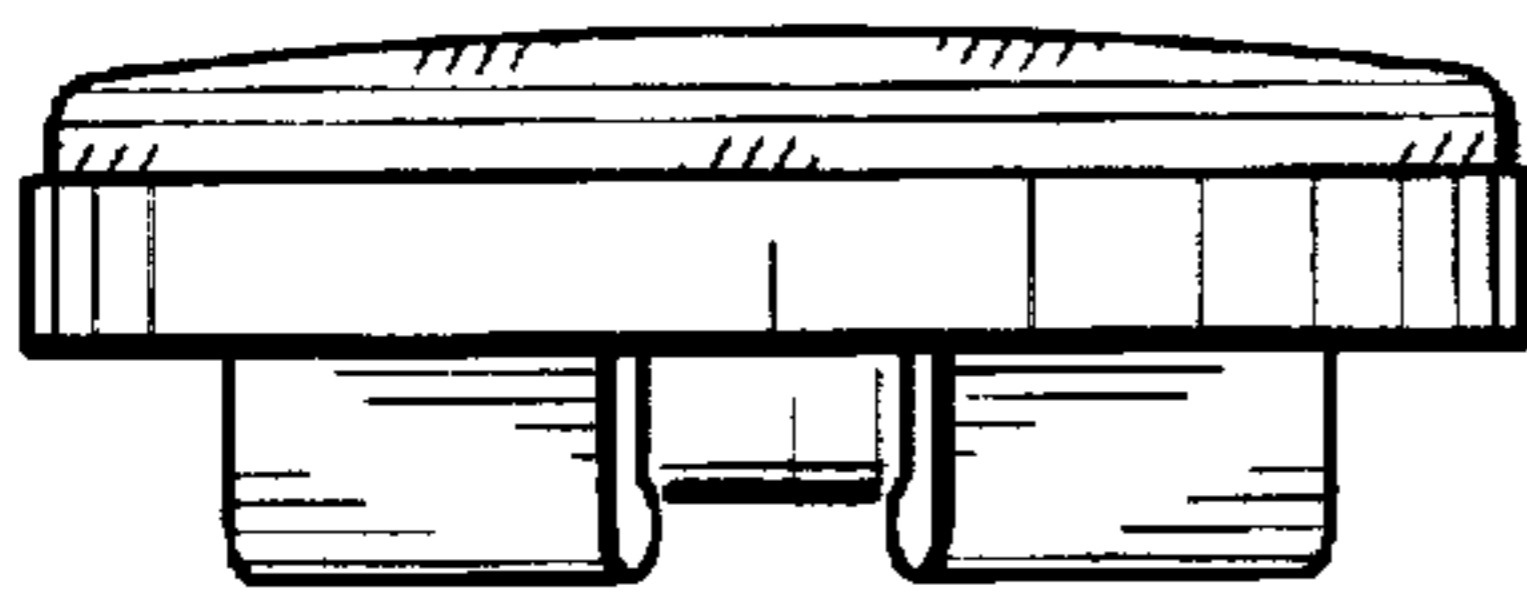


FIG. 2

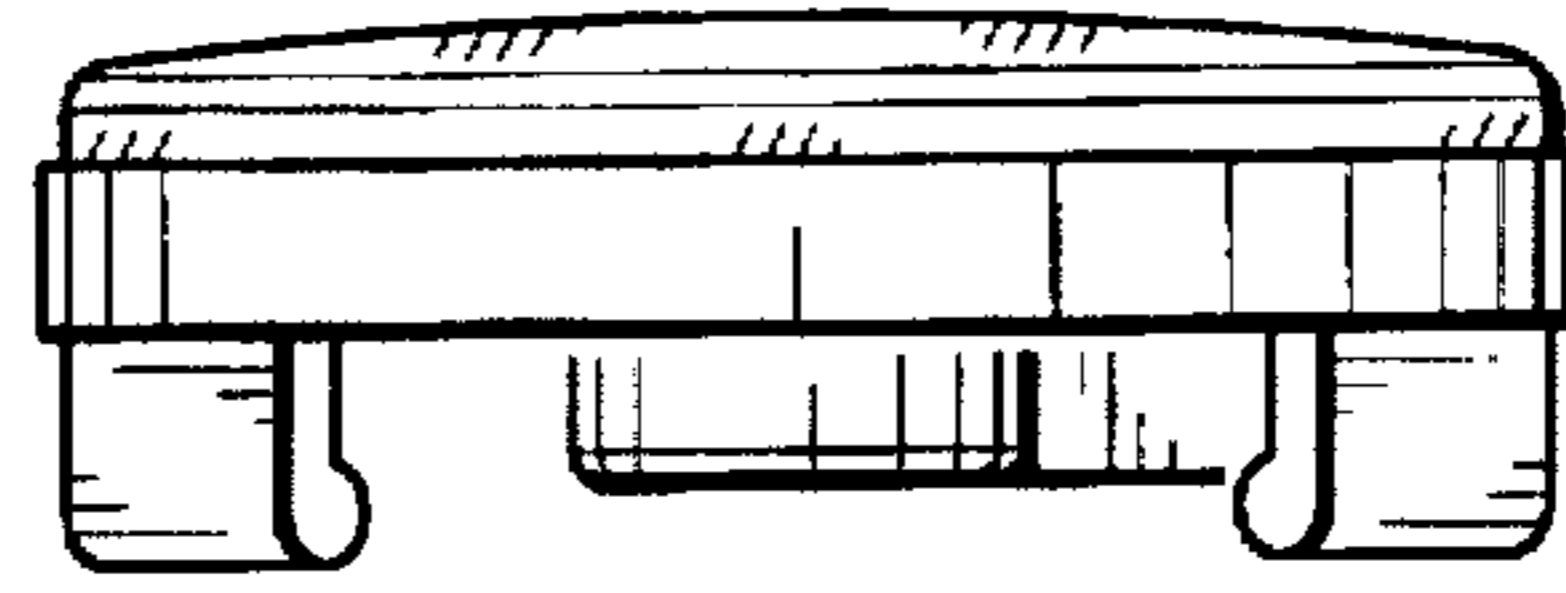


FIG. 3

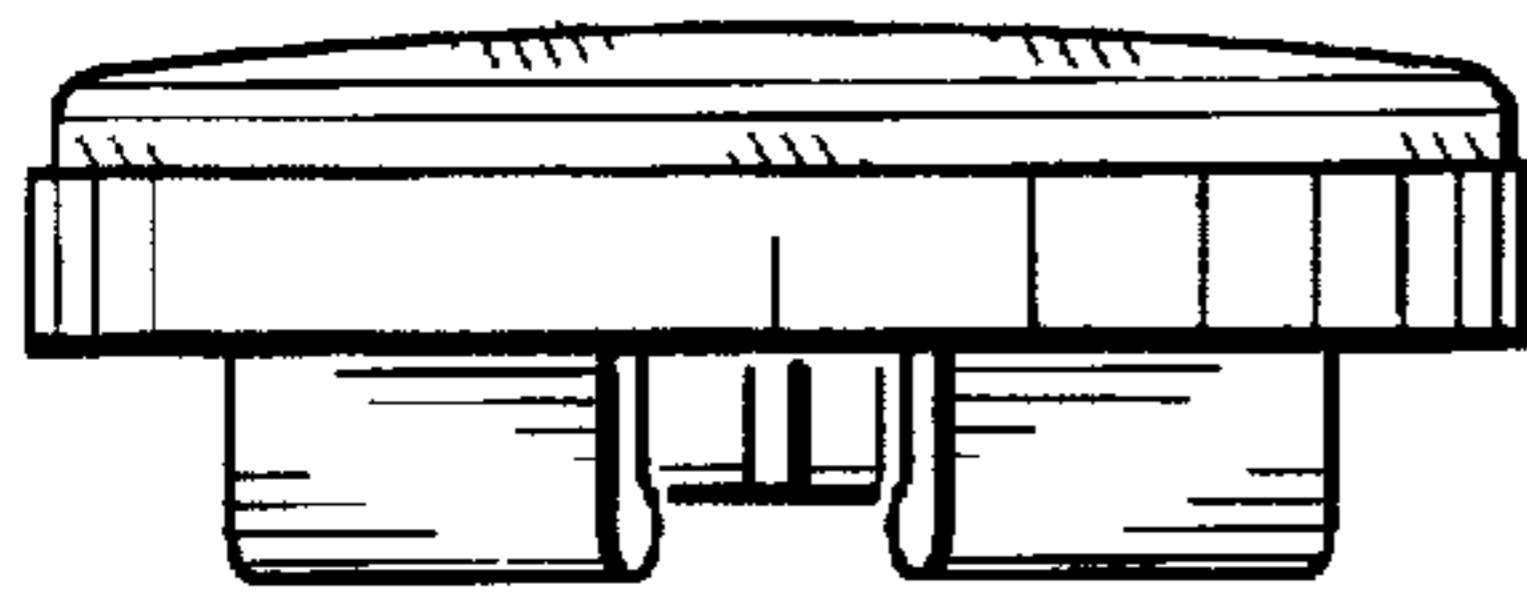


FIG. 4

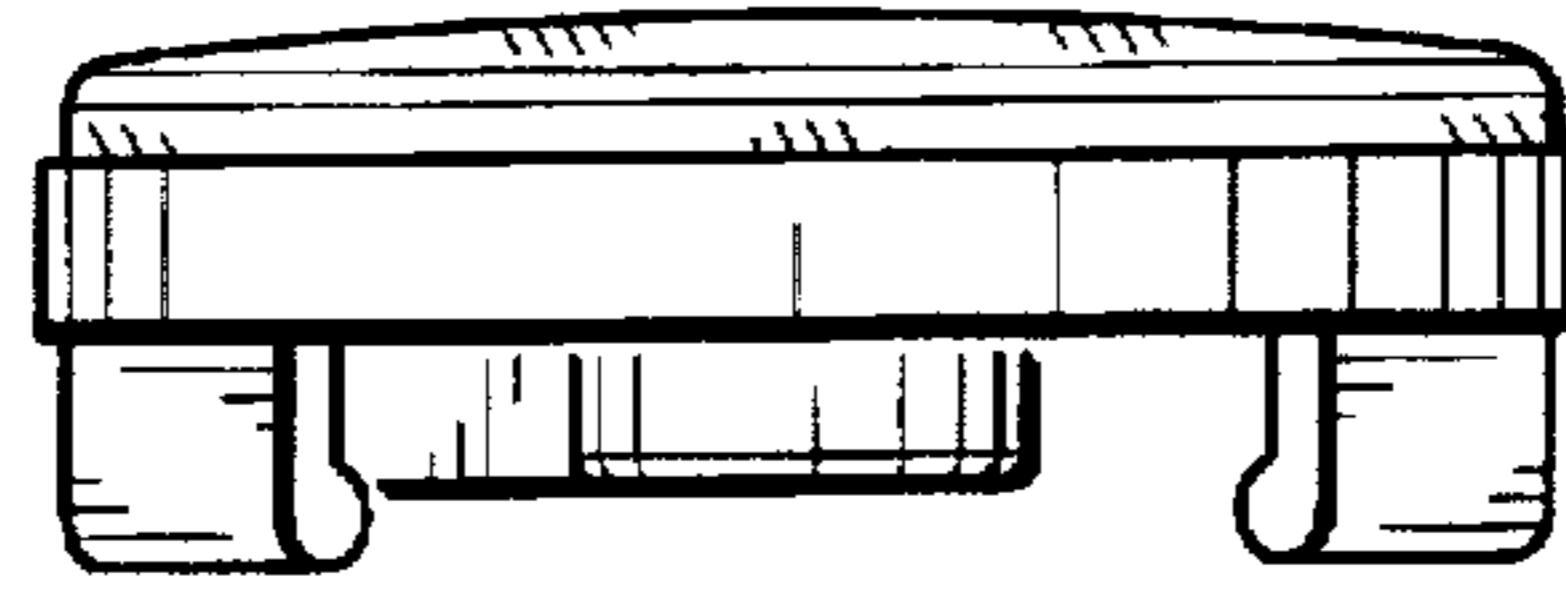


FIG. 5

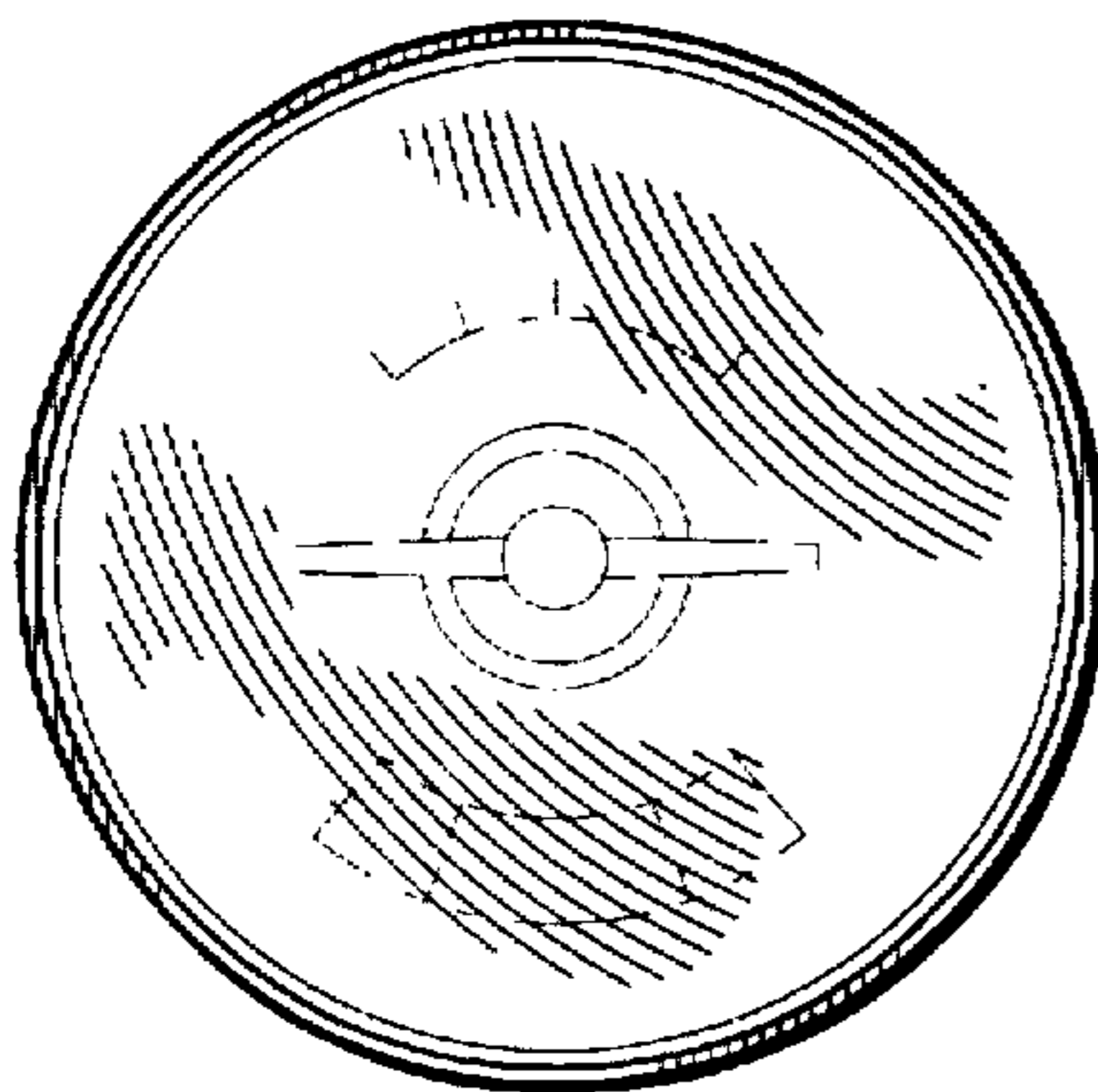


FIG. 6

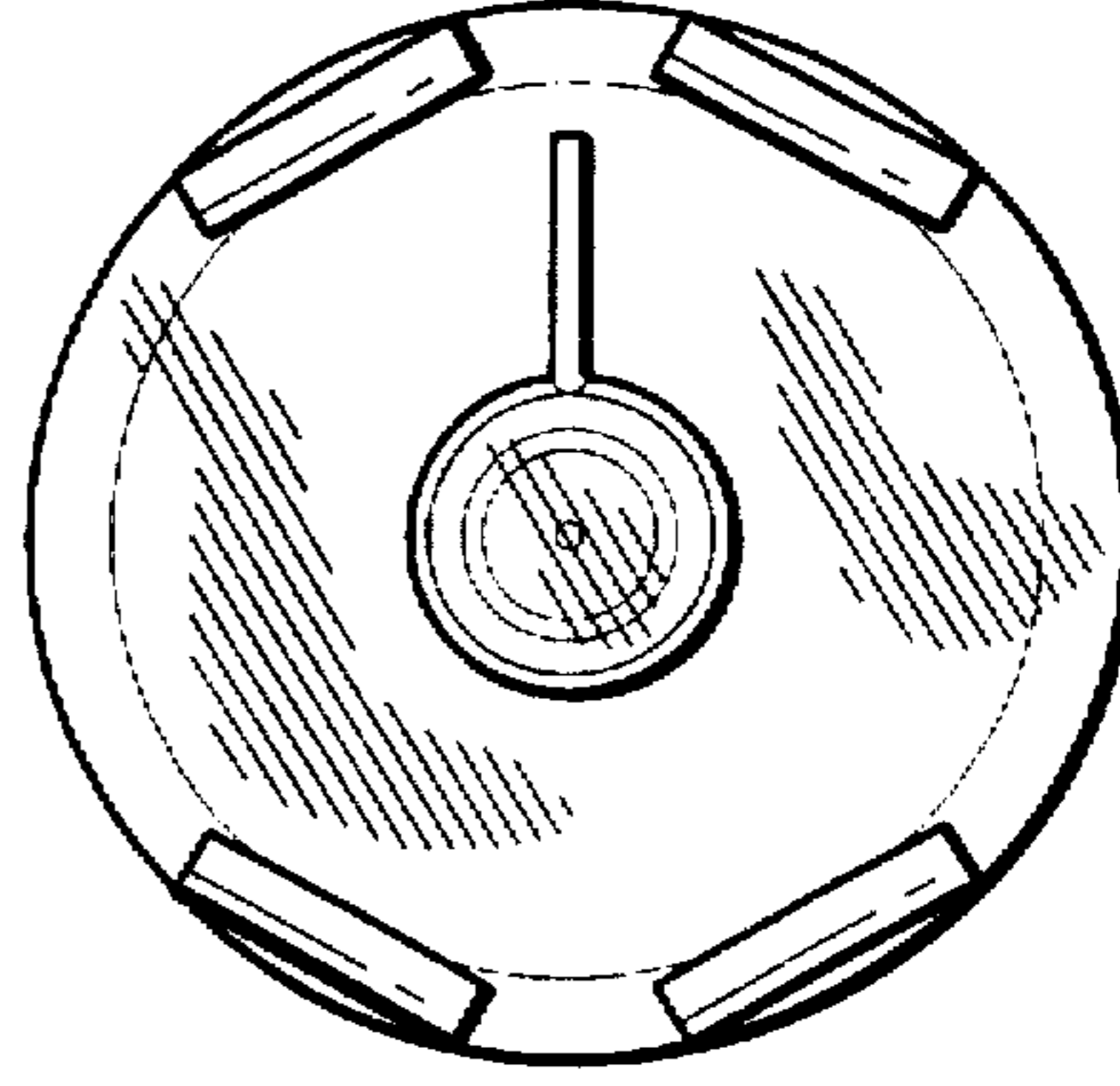


FIG. 7