



US00D397290S

# United States Patent [19]

Petricca et al.

[11] Patent Number: **Des. 397,290**

[45] Date of Patent: **\*\*Aug. 25, 1998**

[54] **RAZOR BLADE CARTRIDGE DISPENSER**

[75] Inventors: **John D. Petricca, Leominster; Norman D. Poisson, Andover, both of Mass.**

[73] Assignee: **The Gillette Company, Boston, Mass.**

[\*\*] Term: **14 Years**

[21] Appl. No.: **67,307**

[22] Filed: **Feb. 19, 1997**

[51] **LOC (6) Cl.** ..... **09-03**

[52] **U.S. Cl.** ..... **D9/342**

[58] **Field of Search** ..... **D9/340, 341, 342, D9/347, 418; 206/208, 228, 352, 354-360; 220/669, 675, 555, 556**

[56] **References Cited**

**U.S. PATENT DOCUMENTS**

- D. 168,287 12/1952 Burgess ..... D9/347
- D. 216,635 2/1970 Grange ..... D9/342
- D. 231,198 4/1974 Casselli .
- D. 236,437 8/1975 Leathers ..... D9/342
- D. 247,349 2/1978 Carr .
- D. 256,996 9/1980 Kiraly .
- D. 256,997 9/1980 Motta .
- D. 256,998 9/1980 Motta .

- D. 362,517 9/1995 Pirmayer ..... D9/342 X
- D. 366,611 1/1996 Poisson .
- 3,854,201 12/1974 Dawidowicz et al. .... 206/356 X
- 4,173,285 11/1979 Kiraly et al. .
- 5,518,114 5/1996 Kohring et al. .

**FOREIGN PATENT DOCUMENTS**

- 1160542 8/1969 United Kingdom .

*Primary Examiner*—Ted Shooman  
*Assistant Examiner*—Nanda Bondade  
*Attorney, Agent, or Firm*—Fish & Richardson P.C.

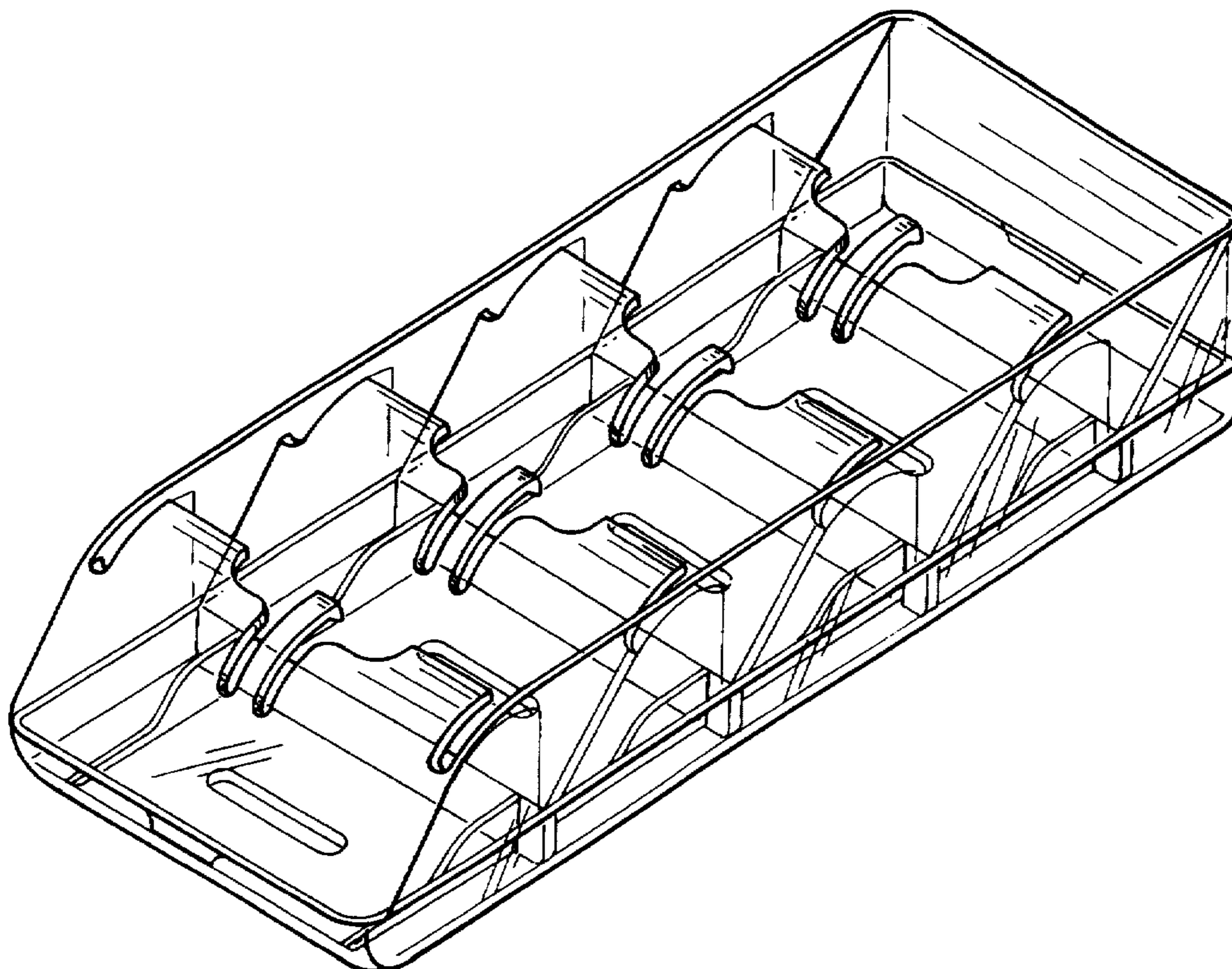
[57] **CLAIM**

The ornamental design for a razor blade cartridge dispenser, as shown.

**DESCRIPTION**

FIG. 1 is a perspective view of razor blade cartridge dispenser;  
FIG. 2 is a front elevational view thereof;  
FIG. 3 is a back elevational view thereof;  
FIG. 4 is a right side elevational view thereof;  
FIG. 5 is a left side elevational view thereof;  
FIG. 6 is a top plan view thereof; and,  
FIG. 7 is a bottom plan view thereof.

**1 Claim, 2 Drawing Sheets**



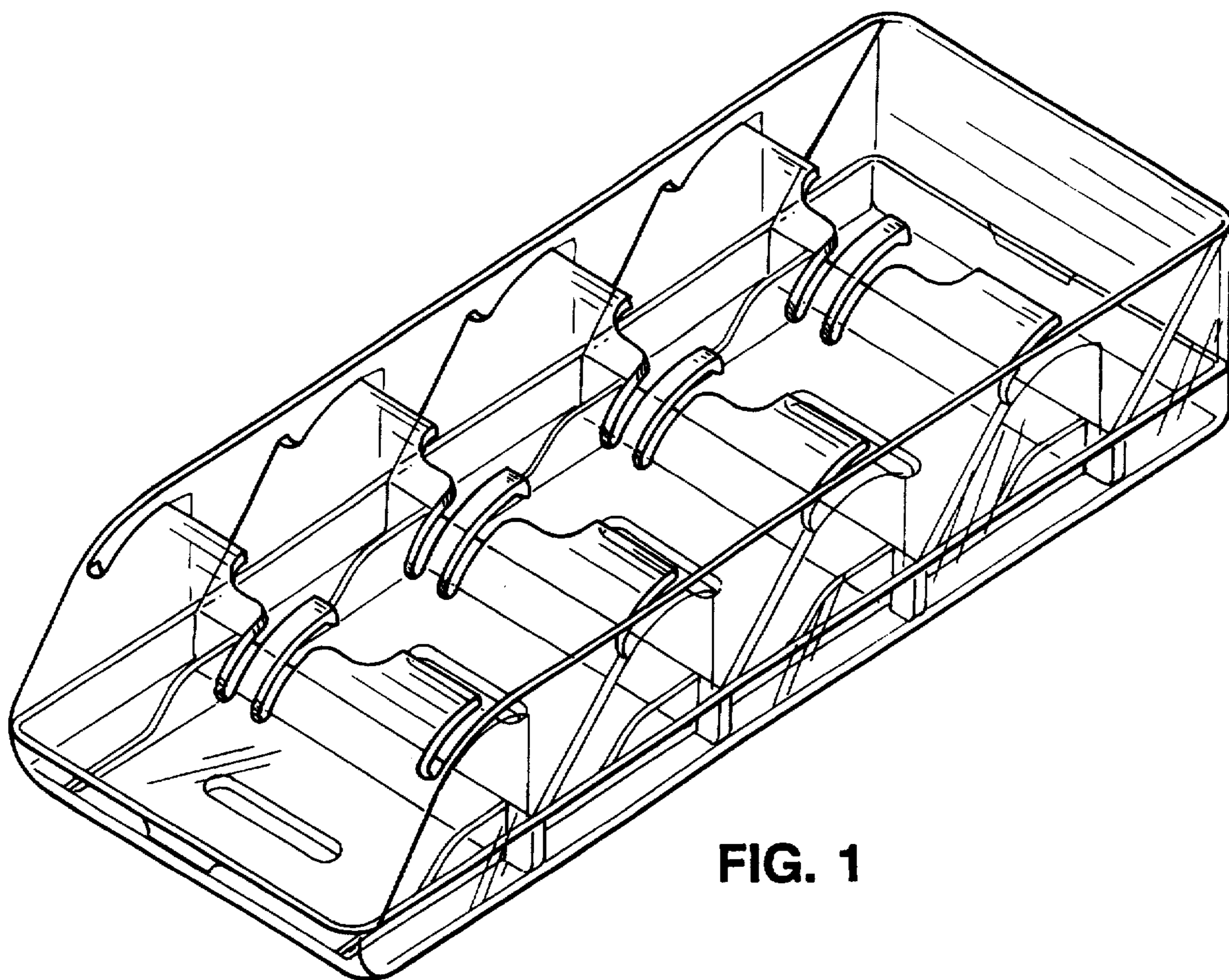


FIG. 1

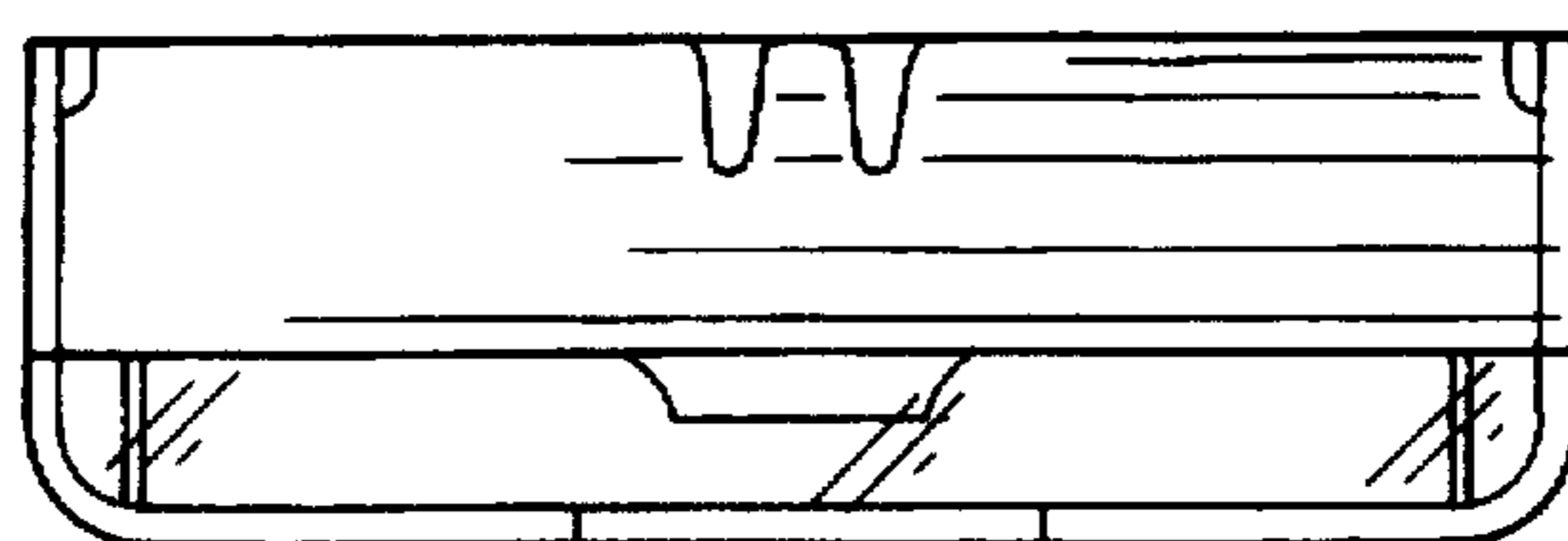


FIG. 2

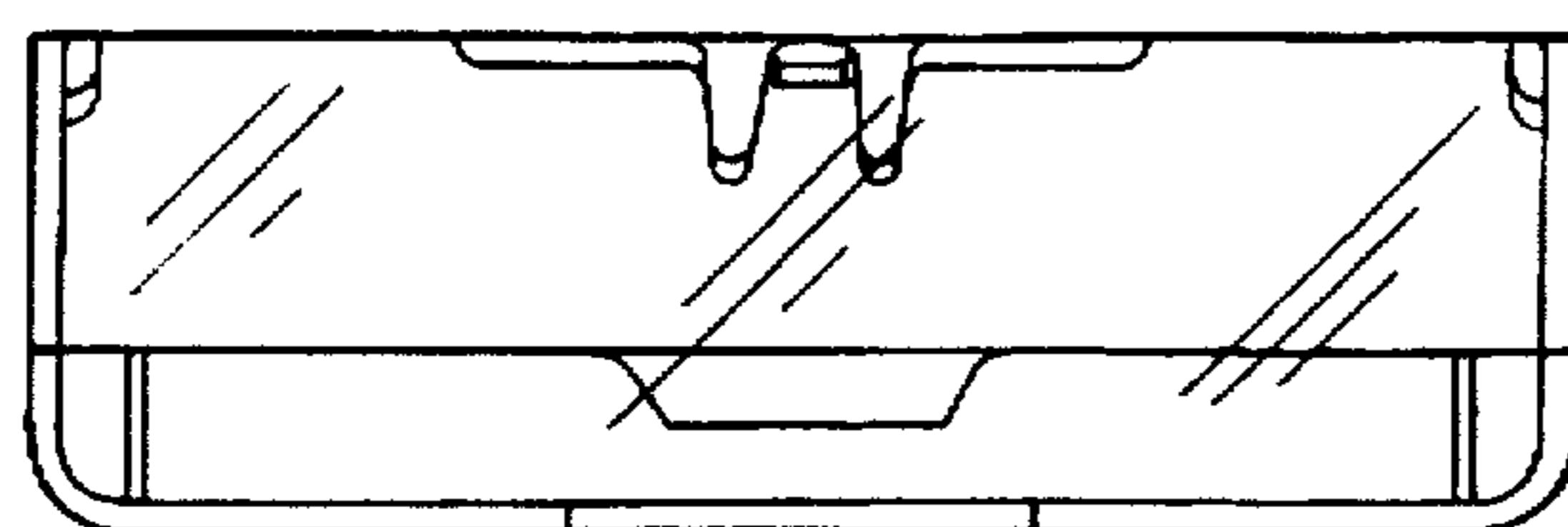


FIG. 3

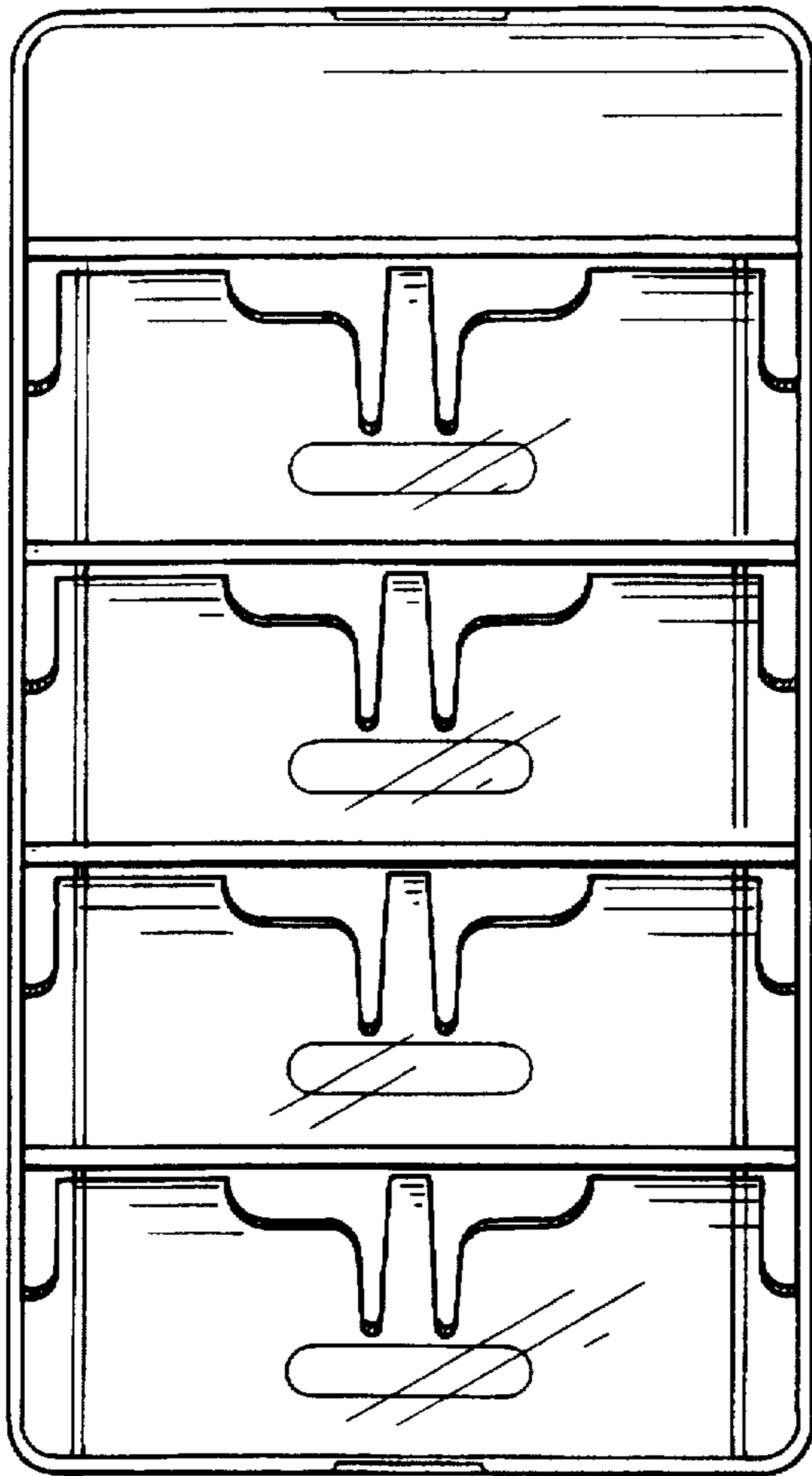


FIG. 6

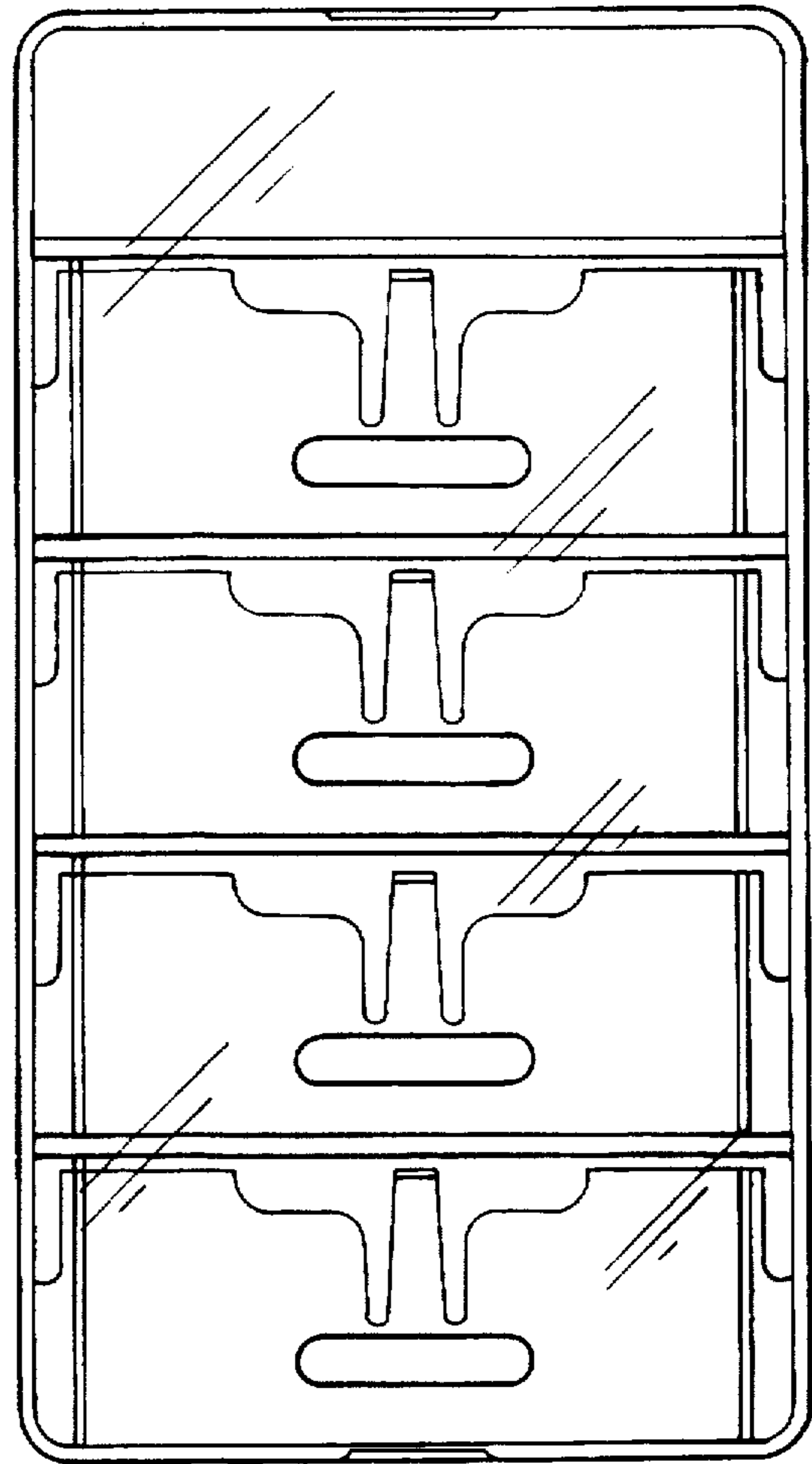


FIG. 7

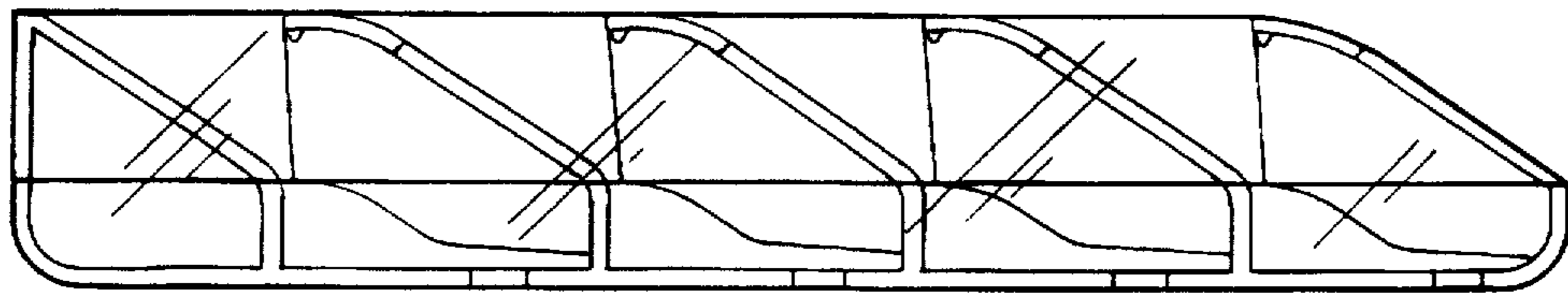


FIG. 4

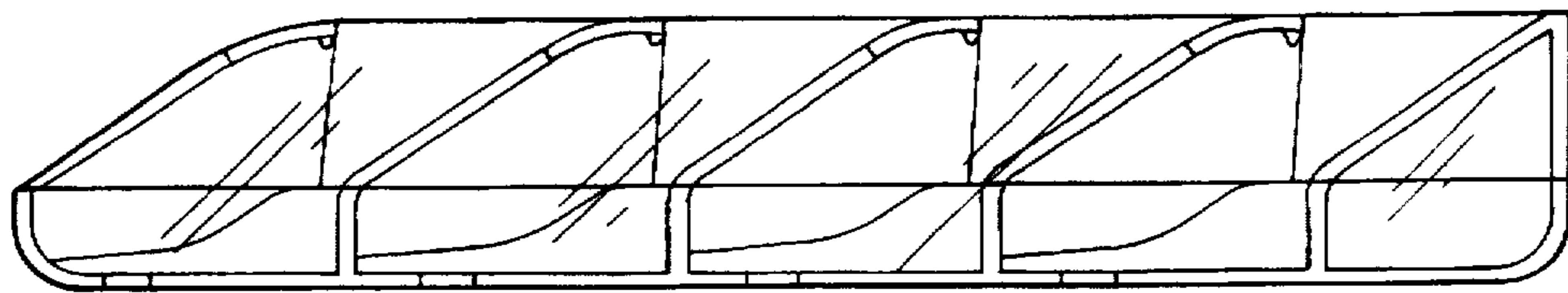


FIG. 5