

US00D397284S

United States Patent [19]

Cohen

[11] Patent Number: **Des. 397,284**

[45] Date of Patent: ****Aug. 25, 1998**

[54] **STABILIZING BASE FOR A VEHICLE THEFT PROTECTION PEDAL LOCK**

3,990,279 11/1976 Brickel 70/14 X
5,222,381 6/1993 Wilcox 70/19

[76] Inventor: **Armand Cohen**, 13411 Albers St., Van Nuys, Calif. 91401

Primary Examiner—Brian N. Vinson
Attorney, Agent, or Firm—David O'Reilly

[**] Term: **14 Years**

[57] **CLAIM**

[21] Appl. No.: **61,413**

The ornamental design for a stabilizing base for a vehicle theft protection pedal lock, as shown and described.

[22] Filed: **Oct. 23, 1996**

DESCRIPTION

[51] **LOC (6) CL** **08-07**

[52] **U.S. Cl.** **D8/343**

[58] **Field of Search** D8/330, 331, 343;
70/14, 19, 51, 54, 55, 56, 57, 158, 431,
DIG. 43

FIG. 1 is a stabilizing base for a vehicle theft prevention pedal lock showing my new design, the broken-line disclosure of a lock being for illustrative purposes only and forming no part of the claimed design;

FIG. 2 is a front view thereof;

FIG. 3 is a left side view thereof, the right side being identical;

FIG. 4 is a top view thereof; and,

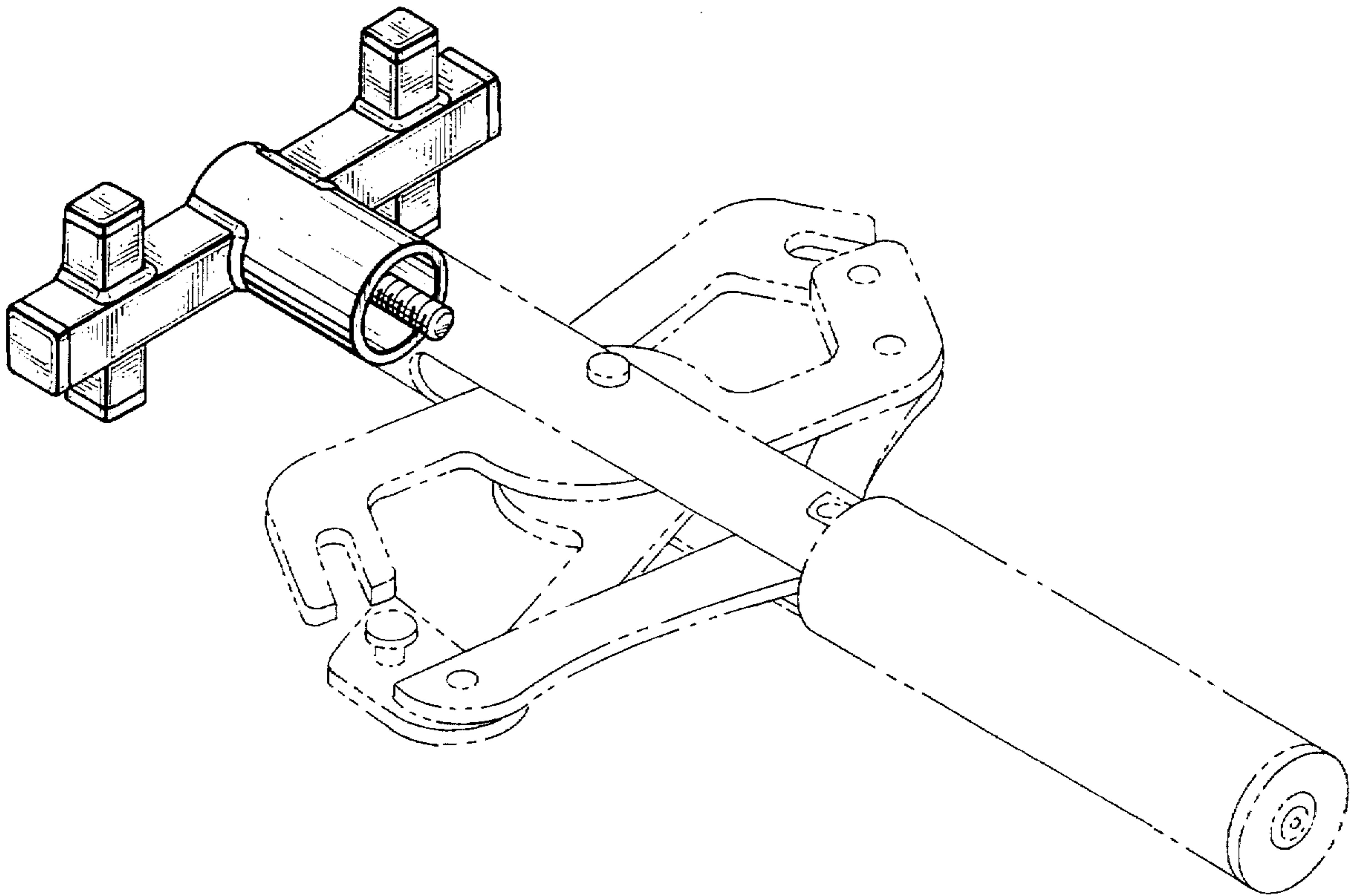
FIG. 5 is a bottom view thereof.

[56] References Cited

U.S. PATENT DOCUMENTS

D. 335,814 5/1993 Dabandjian D8/343
D. 351,551 10/1994 Wilcox D8/343
D. 380,662 7/1997 Sage D8/343

1 Claim, 2 Drawing Sheets



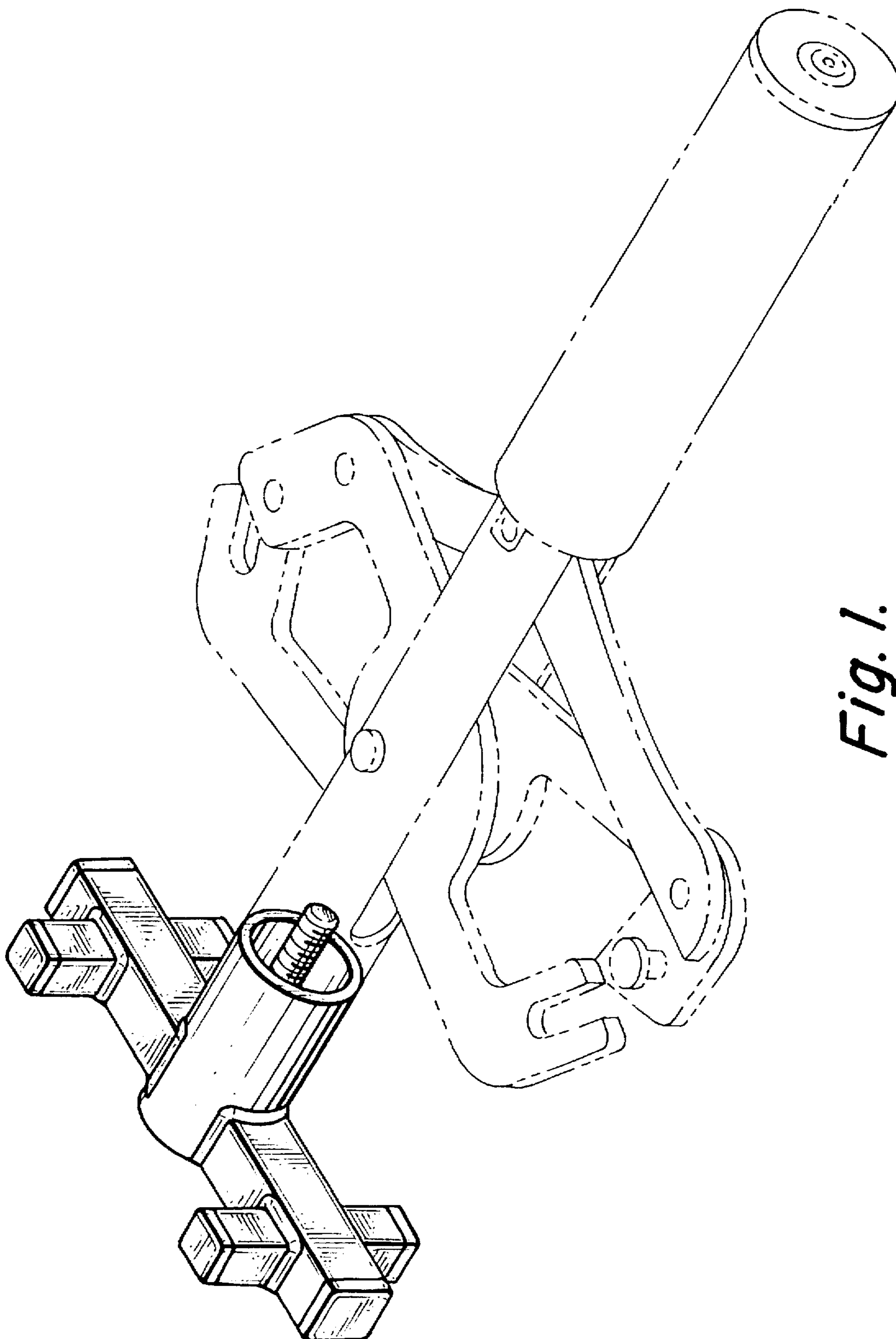


Fig. 1.

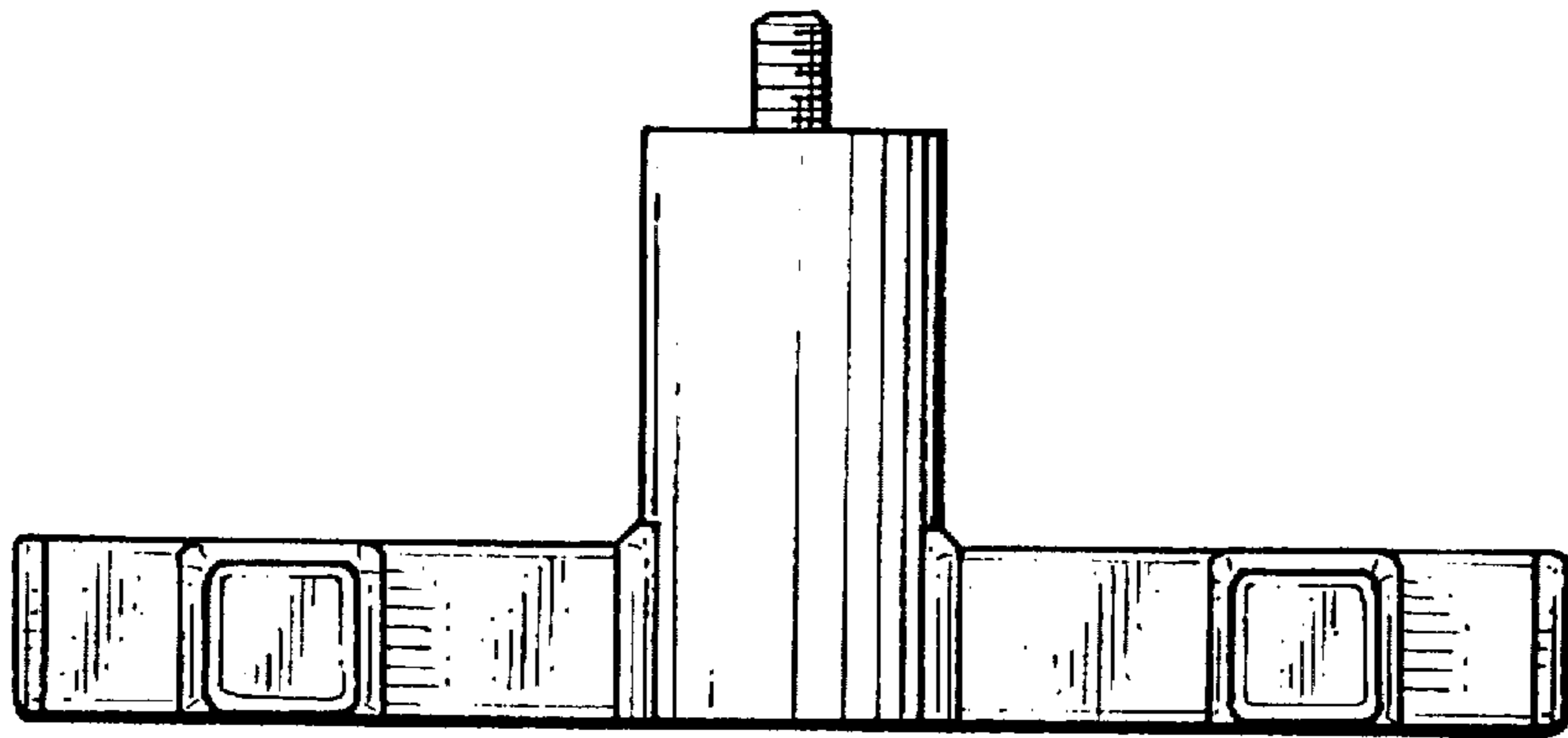


Fig. 2.

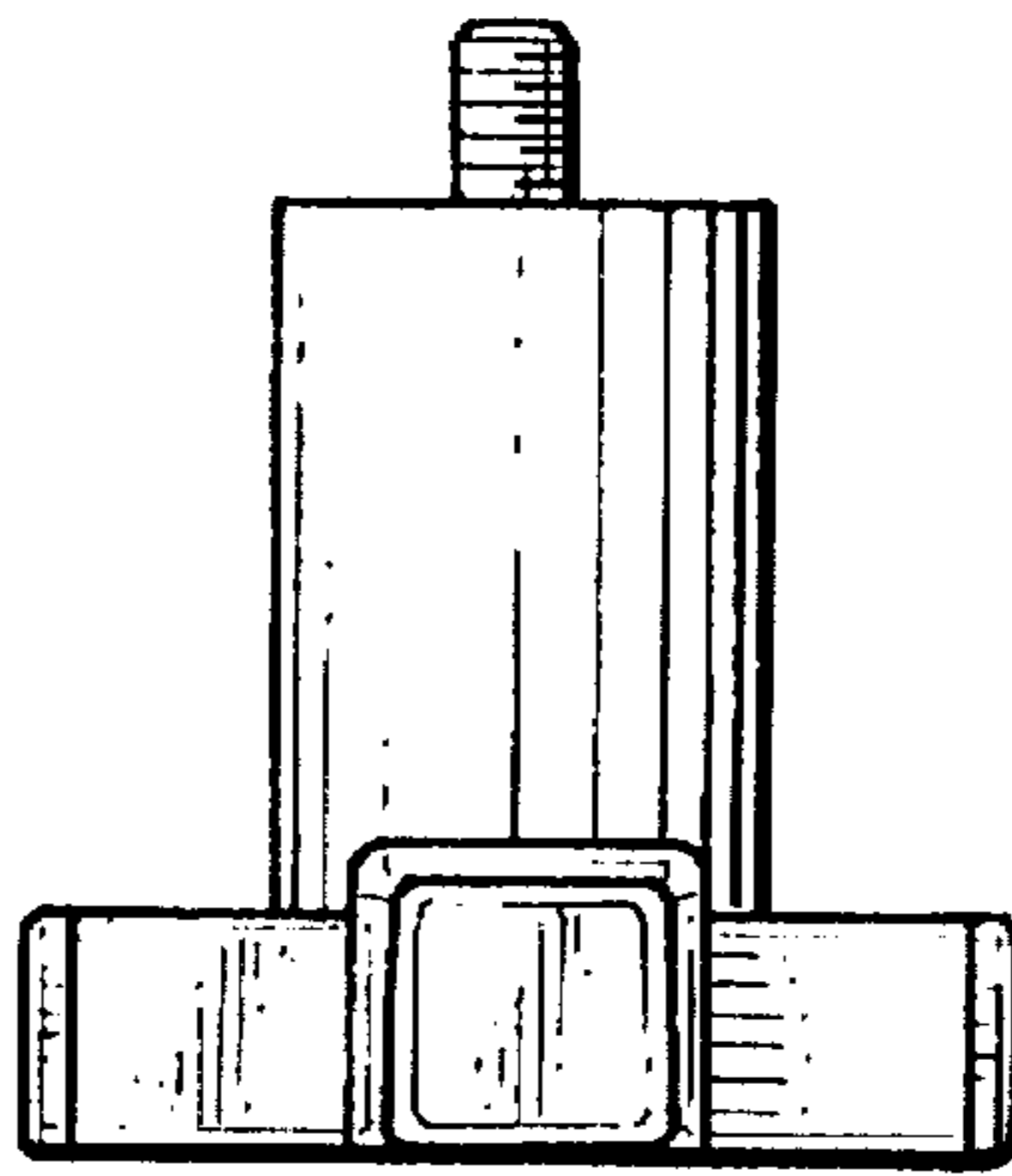


Fig. 3.

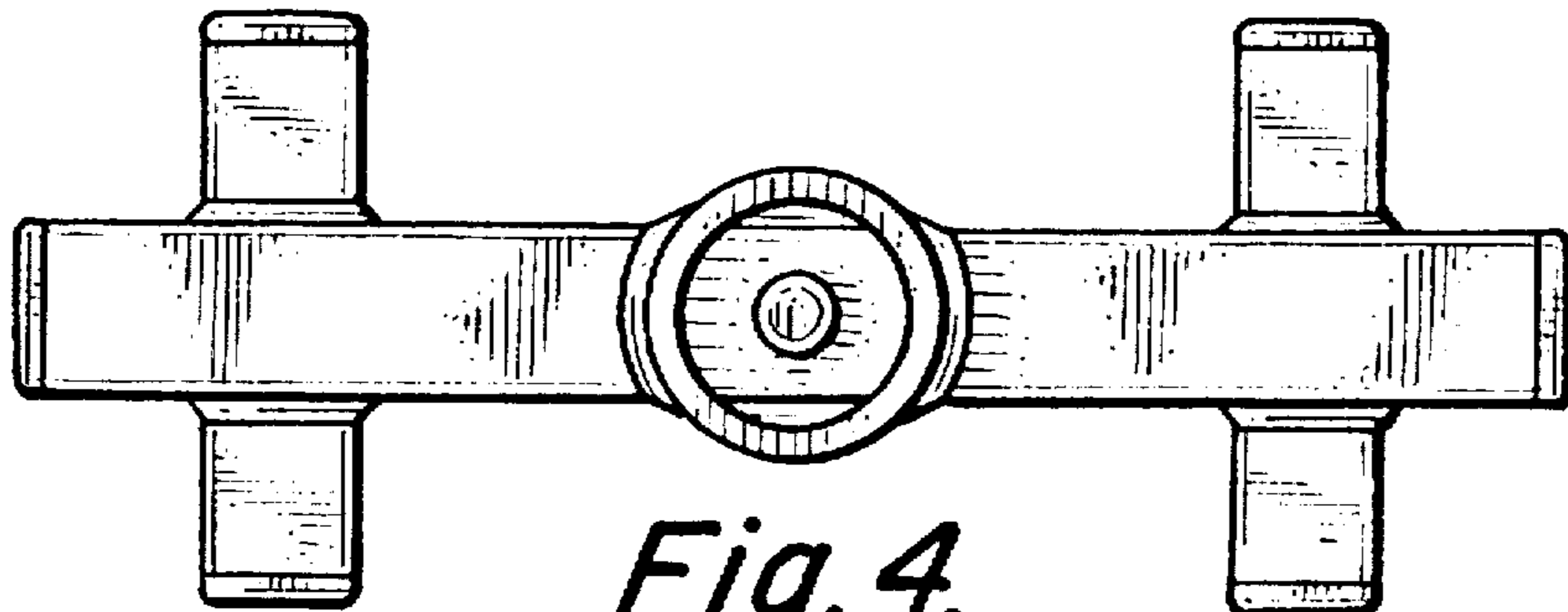


Fig. 4.

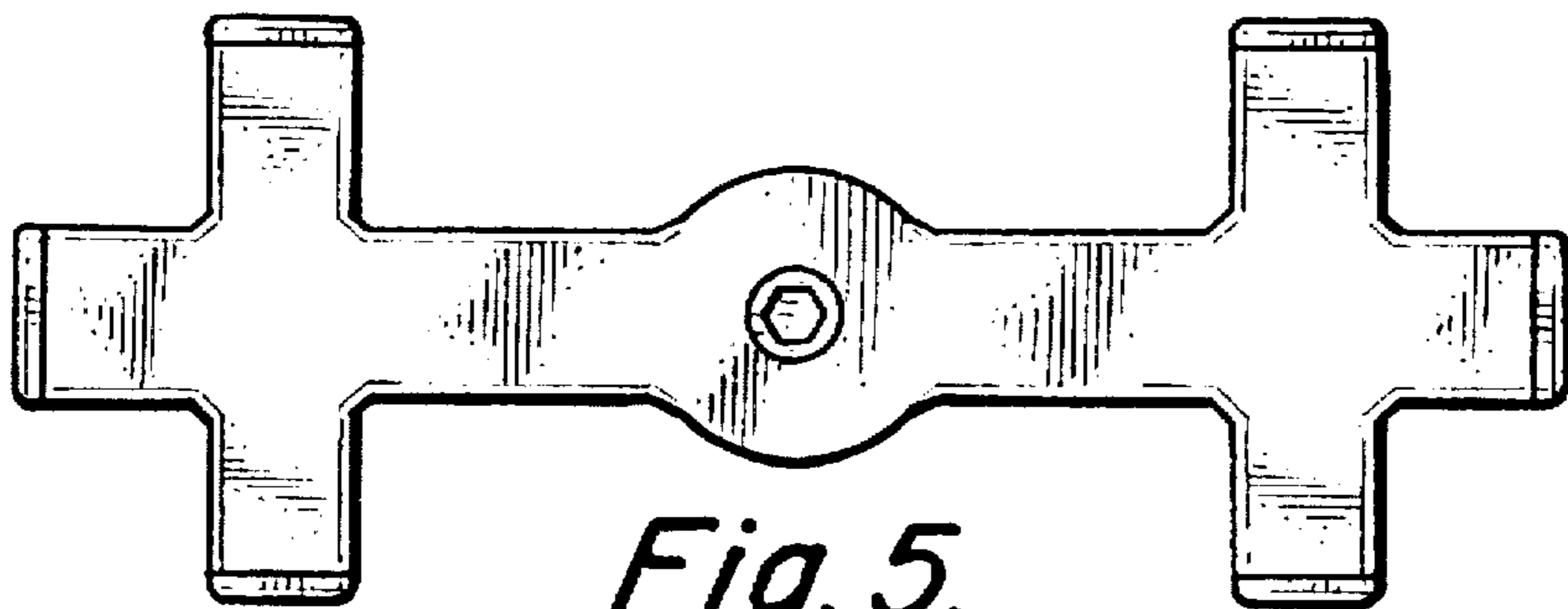


Fig. 5.