



US00D397282S

United States Patent [19]

Derkatz

[11] **Patent Number: Des. 397,282**

[45] **Date of Patent: **Aug. 25, 1998**

[54] **ABUTMENT FOR A KNIFE BLADE**

[76] **Inventor: Keith E. Derkatz, 56 S. Barkley St., #52, Mesa, Ariz. 85204**

[**] **Term: 14 Years**

[21] **Appl. No.: 54,068**

[22] **Filed: Jul. 22, 1994**

Related U.S. Application Data

[63] **Continuation of Ser. No. 69,205, May 28, 1993, abandoned.**

[51] **LOC (6) Cl. 08-03**

[52] **U.S. Cl. D8/107; D8/99**

[58] **Field of Search D8/98, 99, 100; 30/151, 152, 153, 154, 155, 156, 157, 158, 159, 160**

Primary Examiner—Philip S. Hyder
Attorney, Agent, or Firm—Parsons & Goltry; Robert A. Parsons; Michael W. Goltry

[57] **CLAIM**

The ornamental design for an abutment for a knife blade, as shown and described.

DESCRIPTION

FIG. 1 is a perspective view of an abutment for a knife blade, showing my new design thereof;

FIG. 2 is a left side elevational view, the right side view being identical thereto;

FIG. 3 is a front elevational view, the rear view being identical thereto;

FIG. 4 is a top plan view; and,

FIG. 5 is a bottom plan view.

Broken lines appearing in the drawings are not claimed material and are intended to show the environment of the claimed design.

1 Claim, 1 Drawing Sheet

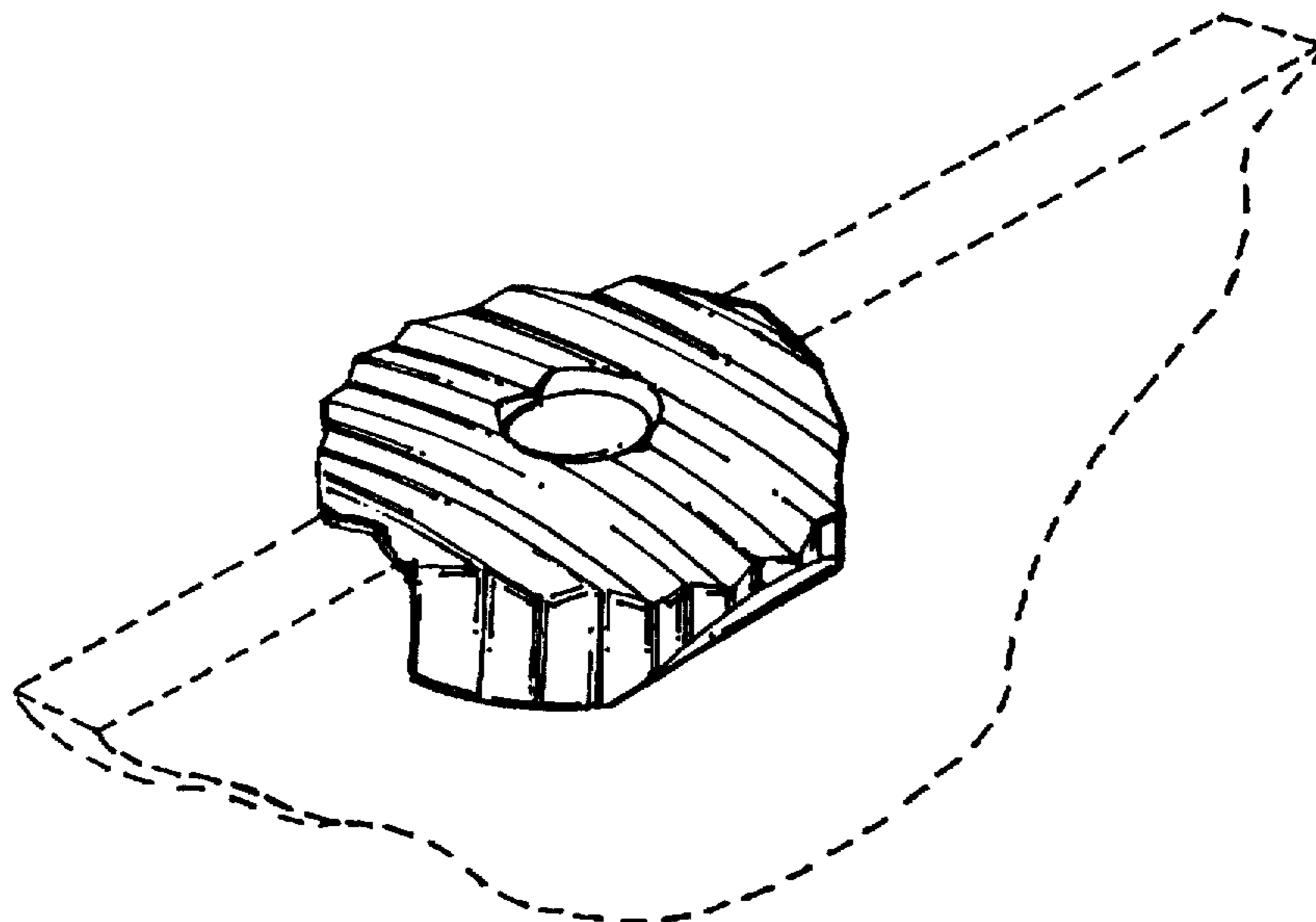


FIG. 1

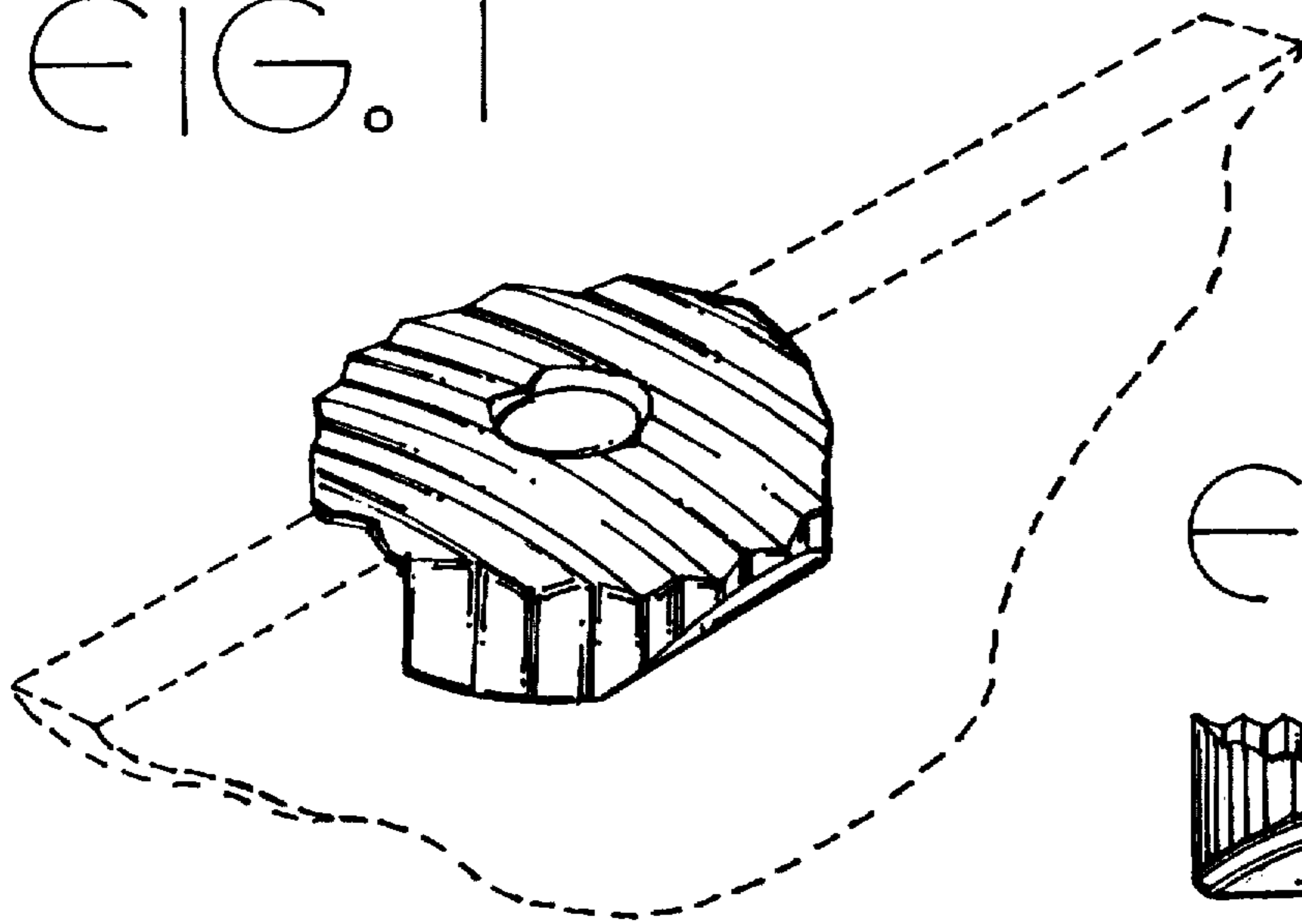


FIG. 2



FIG. 3

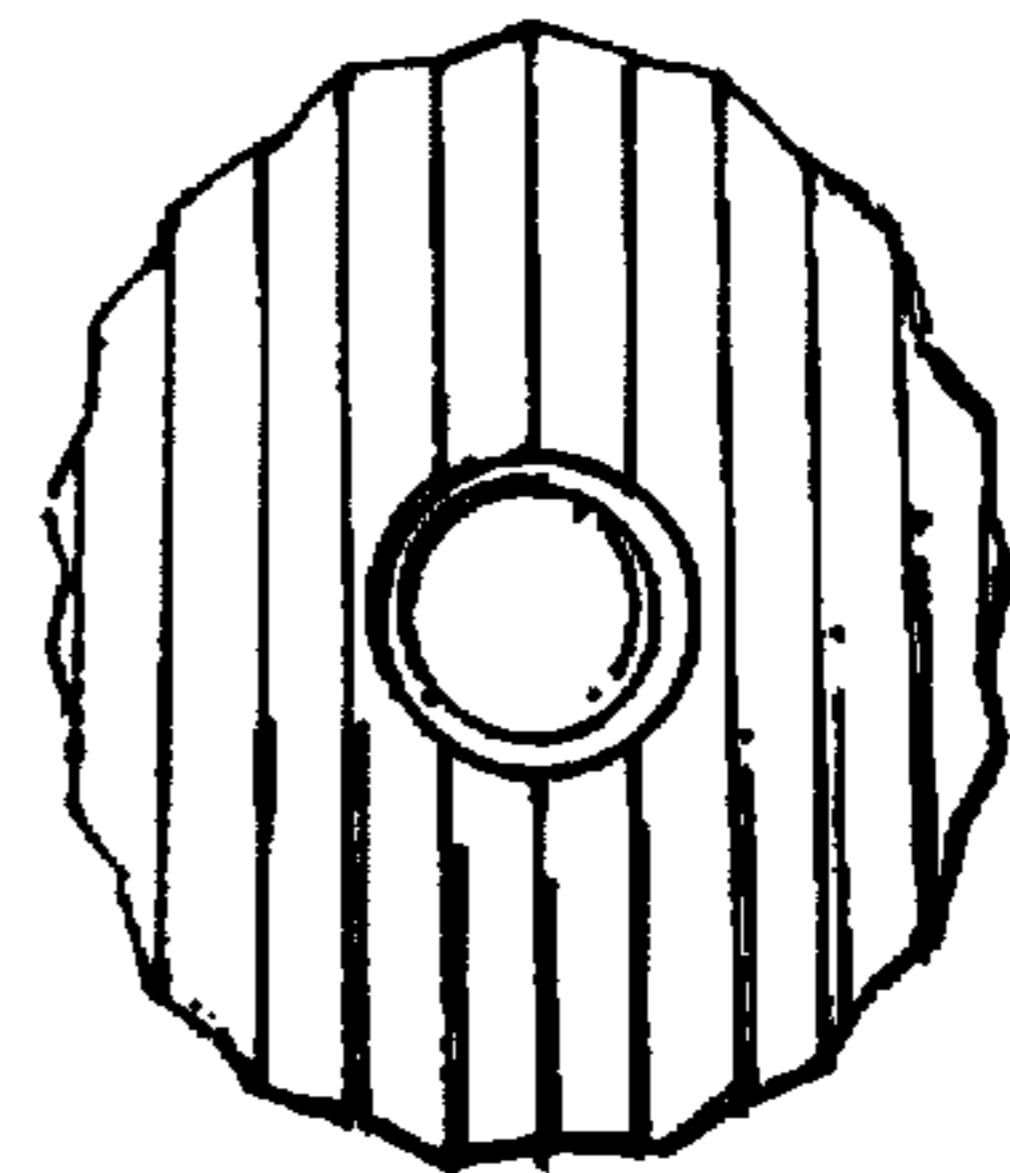
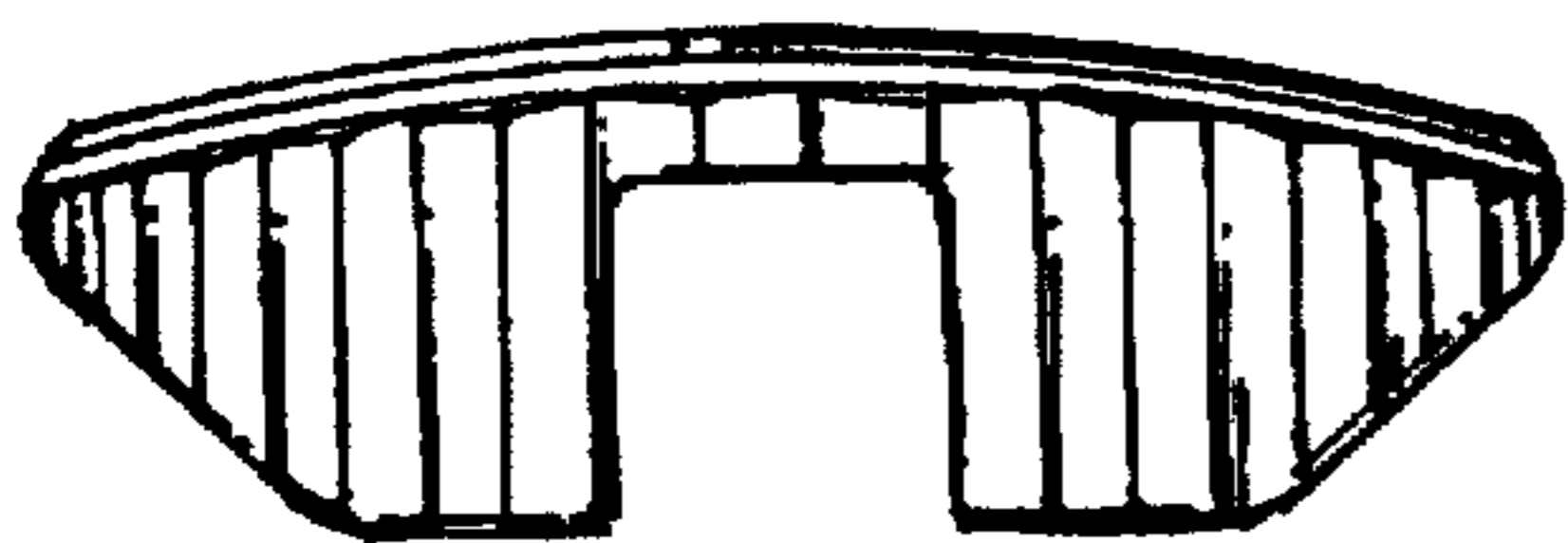


FIG. 4

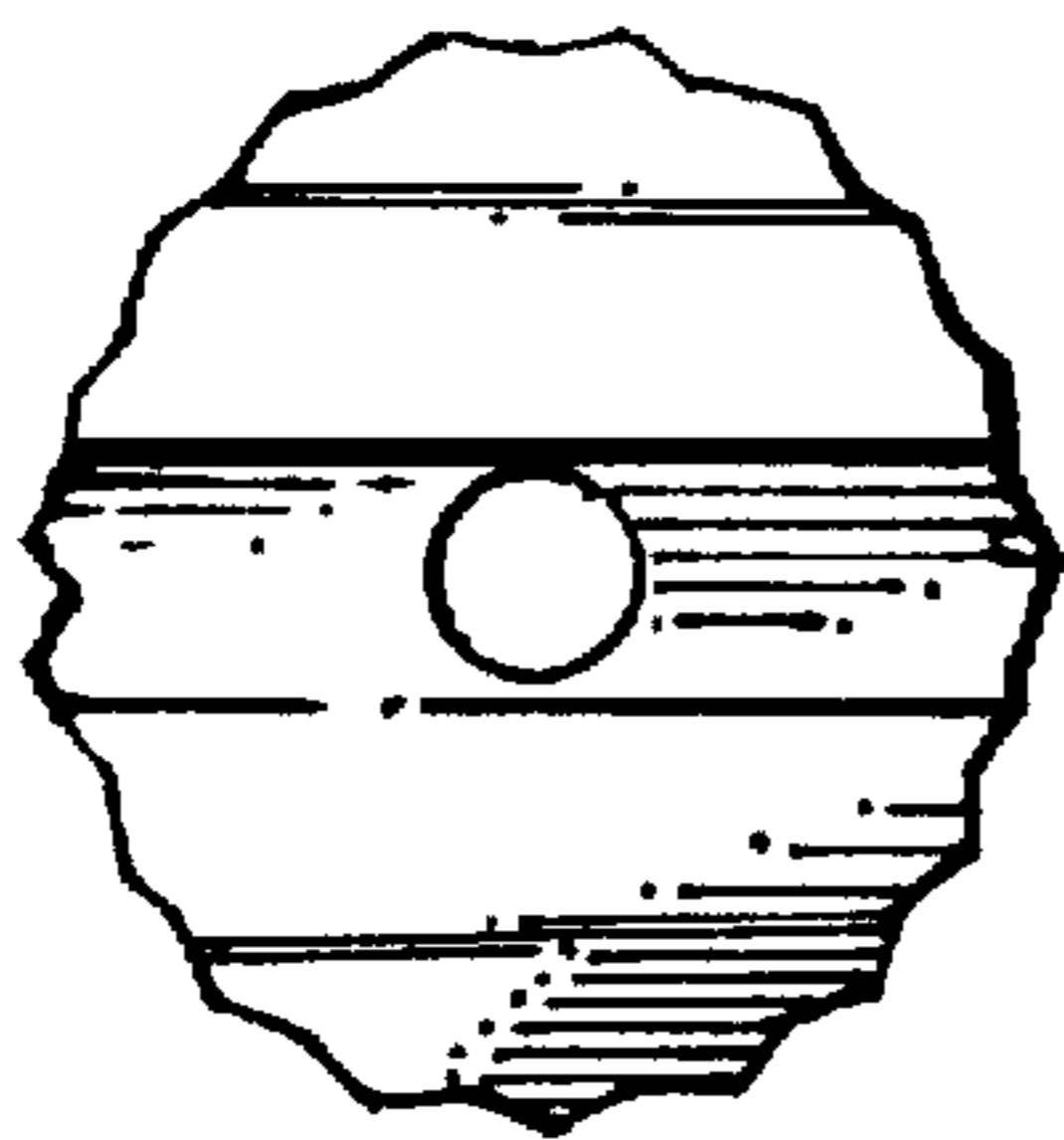


FIG. 5