



US00D397281S

United States Patent [19]

Hsu et al.

[11] Patent Number: **Des. 397,281**

[45] Date of Patent: ****Aug. 25, 1998**

[54] FOLDABLE SAW

[76] Inventors: **Hung-Chi Hsu; Hung-Lung Hsu**, both of 58, Ma Yuan West St., Taichung, Taiwan

[**] Term: **14 Years**

[21] Appl. No.: **70,875**

[22] Filed: **Apr. 9, 1997**

[51] LOC (6) CL **08-03**

[52] U.S. Cl. **D8/95; D8/99**

[58] Field of Search **D8/95, 96, 97, D8/107, 99; 30/166.3, 155, 514, 509; D22/118**

[56] References Cited

U.S. PATENT DOCUMENTS

D. 257,943	1/1981	Finlay	D8/95
D. 307,383	4/1990	Huang	D8/97
D. 307,702	5/1990	Hsu	D8/99
D. 357,166	4/1995	Concari	D8/99
D. 363,203	10/1995	Evrell	D8/99
4,716,653	1/1988	Skyba	30/155

OTHER PUBLICATIONS

Gorilla and Sons Knife Catalog, p. 106, Camping Saws 1997.

Primary Examiner—Philip S. Hyder

[57] CLAIM

The ornamental design for a foldable saw, as shown and described.

DESCRIPTION

FIG. 1 is a perspective view of a foldable saw showing our design;

FIG. 2 is a front elevational view thereof;

FIG. 3 is a rear elevational view thereof;

FIG. 4 is a left side elevational view thereof;

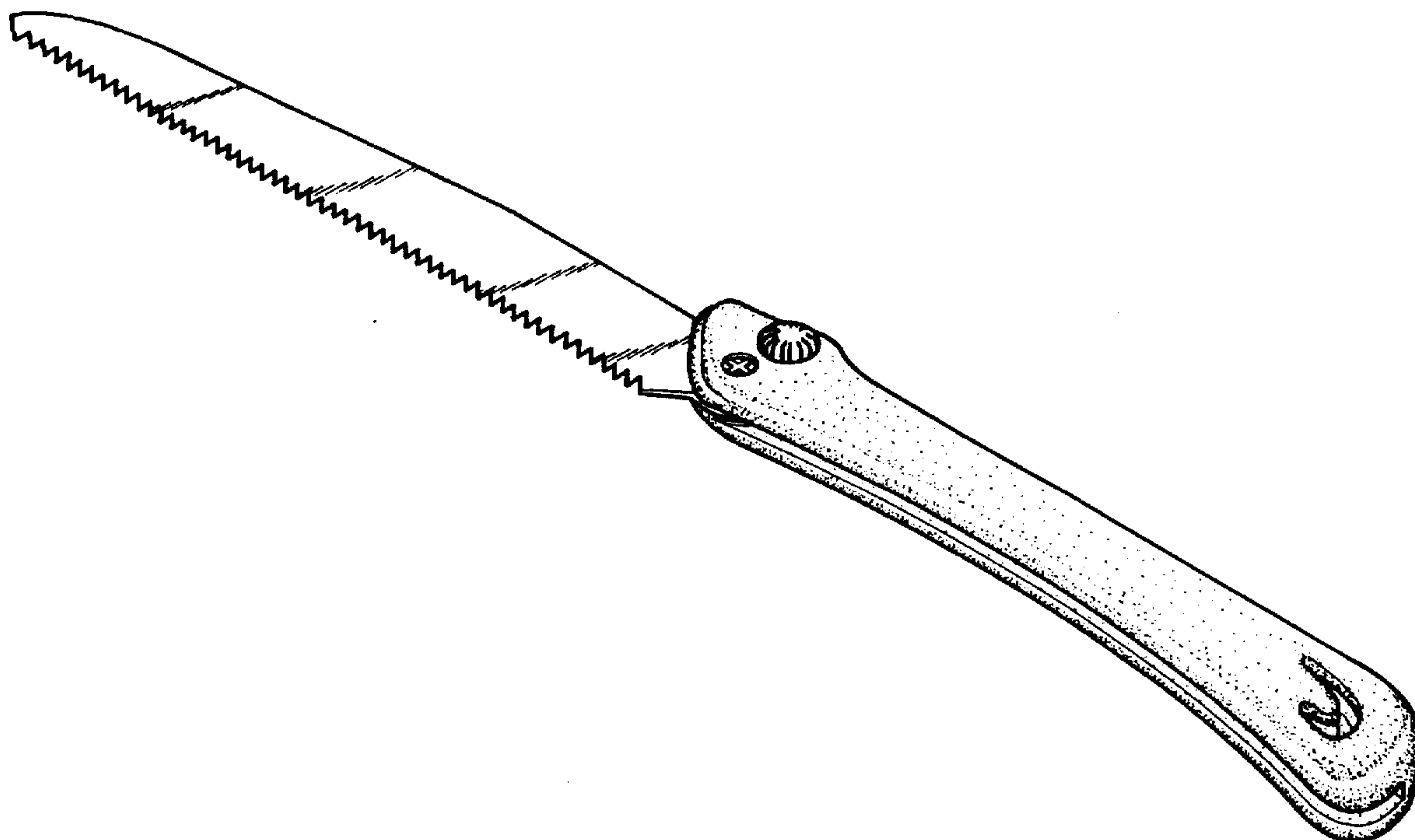
FIG. 5 is a right side elevational view thereof;

FIG. 6 is a top plan view thereof;

FIG. 7 is a bottom plan view thereof; and,

FIG. 8 is a perspective view of a foldable saw while the foldable saw is folded.

1 Claim, 5 Drawing Sheets



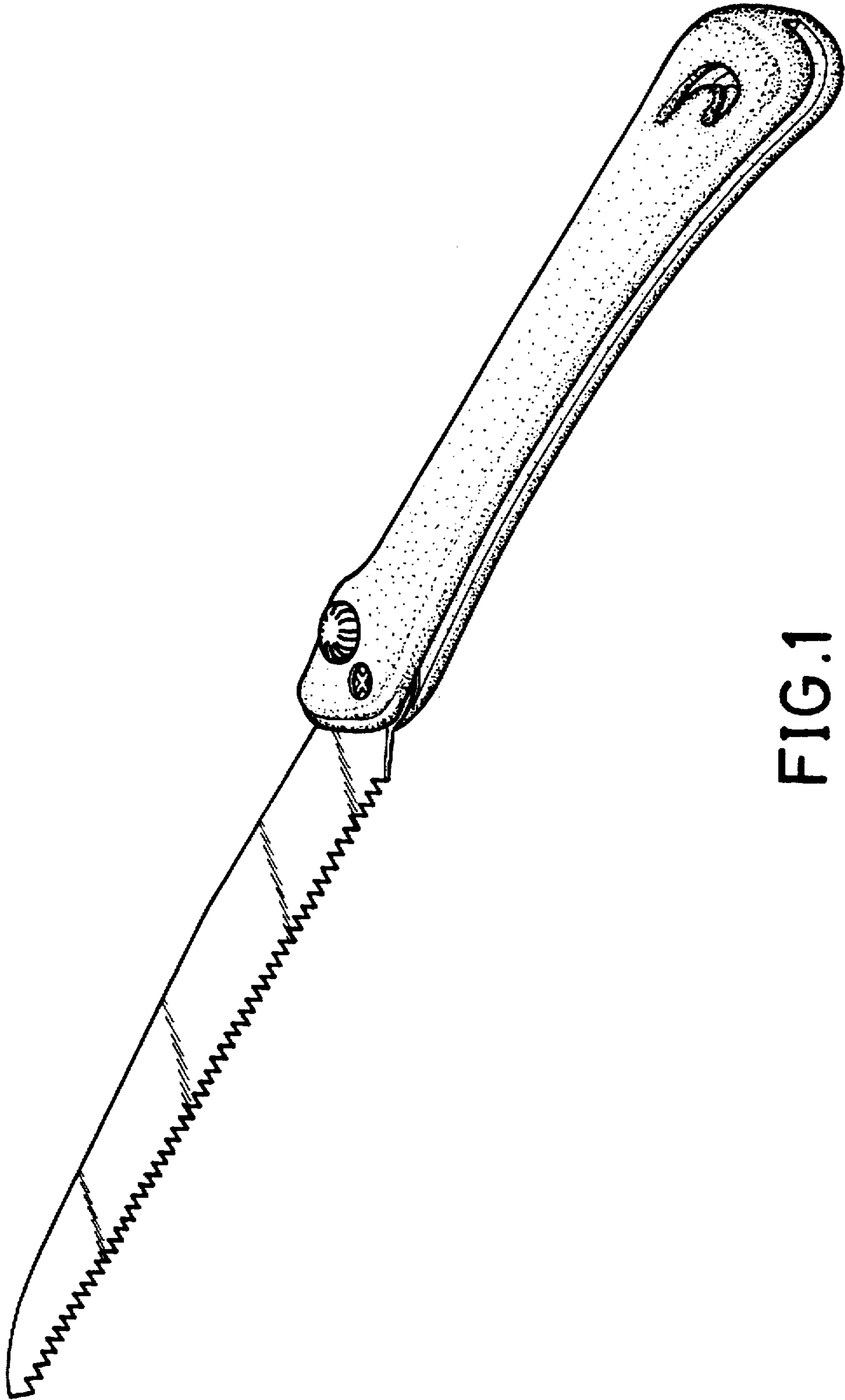


FIG. 1

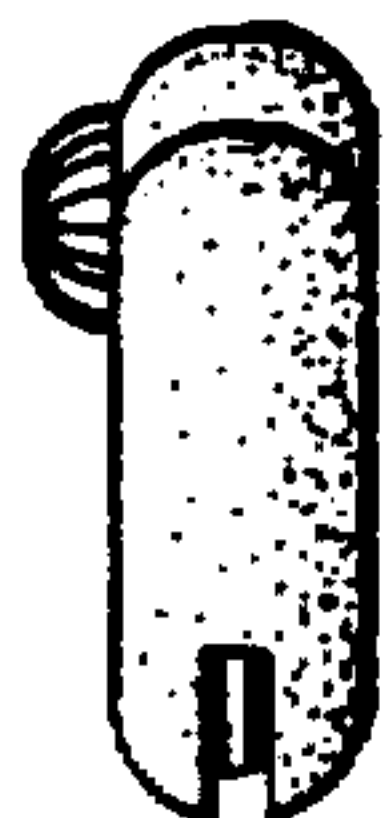


FIG. 3



FIG. 2



FIG. 4

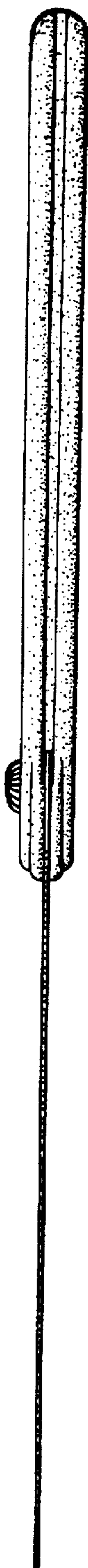


FIG. 5

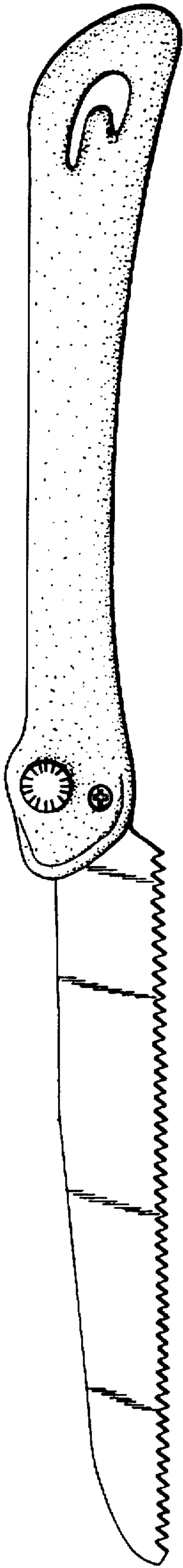


FIG. 6

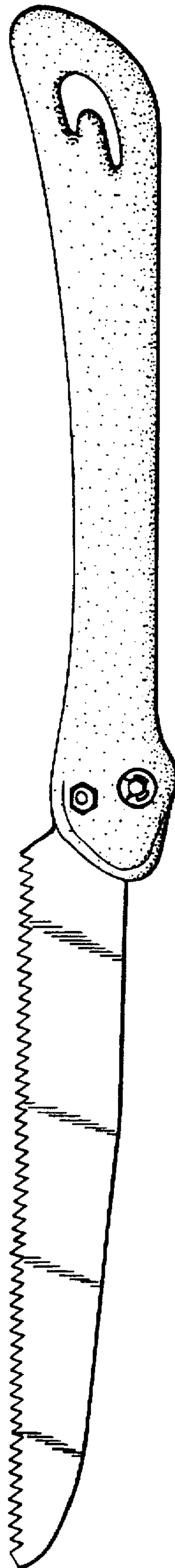


FIG. 7

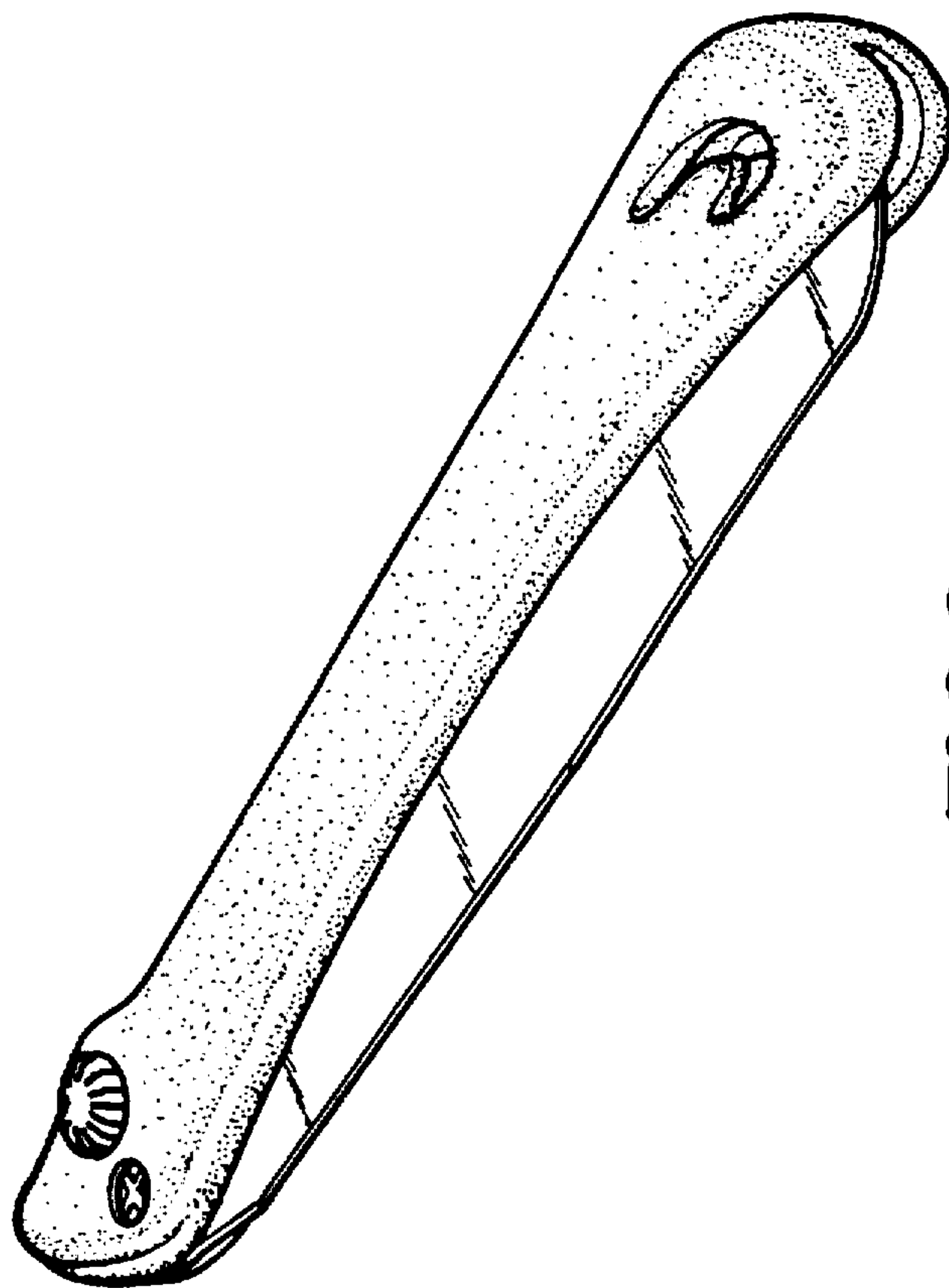


FIG.8