



US00D397278S

United States Patent [19]
Wang

[11] **Patent Number:** **Des. 397,278**
[45] **Date of Patent:** ****Aug. 25, 1998**

[54] **GOLF CART DRINK CADDY** 5,344,040 9/1994 Schaeppi 220/737

[76] **Inventor:** **Jessie Li-Kuo Wang**, 46980 Ocotillo Ct., Fremont, Calif. 94539

Primary Examiner—Terry A. Wallace
Attorney, Agent, or Firm—Linval B. Castle

[**] **Term:** **14 Years**

[57] **CLAIM**

[21] **Appl. No.:** **76,519**

The ornamental design for golf cart drink caddy, as shown and described.

[22] **Filed:** **Sep. 12, 1997**

DESCRIPTION

[51] **LOC (6) Cl.** **07-06**

FIG. 1 is an front elevational view of a golf cart drink caddy, showing my new design;

[52] **U.S. Cl.** **D7/701**

FIG. 2 is a top plan view thereof;

[58] **Field of Search** D7/619, 620, 701, D7/707, 708; D12/419, 420; D3/255; D34/15, 27; 108/44, 45; 211/71, 74, 75; 224/274, 545, 564; 248/309.1, 311.2

FIG. 3 is a bottom plan view thereof;

FIG. 4 is a rear elevational view thereof;

FIG. 5 is a side view thereof, the view of the opposite side being a mirror image thereof; and,

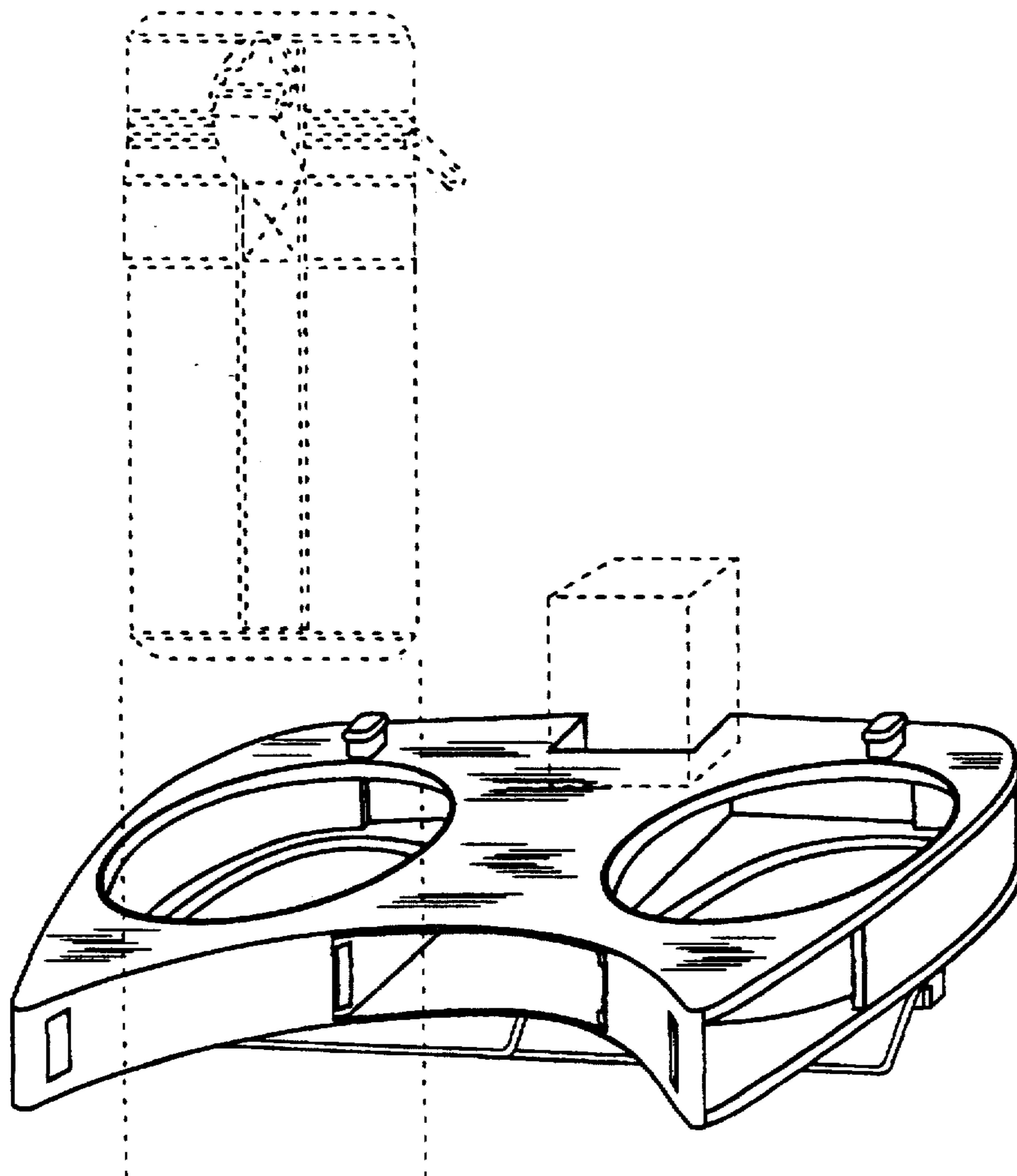
FIG. 6 is a perspective view of the golf cart drink caddy with a drink container and portion of a golf cart shaft illustrated in broken lines and forming no part of the invention.

[56] **References Cited**

U.S. PATENT DOCUMENTS

- D. 353,082 12/1994 Keven D7/701
- D. 353,232 12/1994 Chrisco D7/701 X
- 3,606,112 9/1971 Cheshier D7/620 X

1 Claim, 2 Drawing Sheets



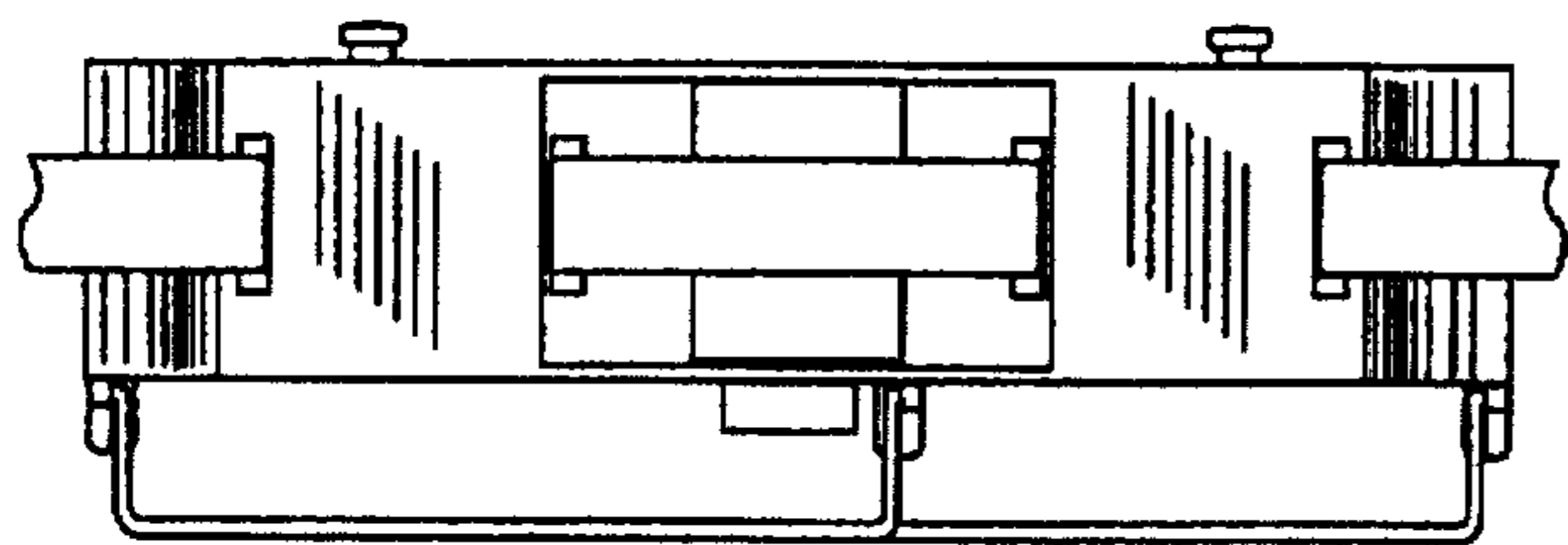


FIG. 1

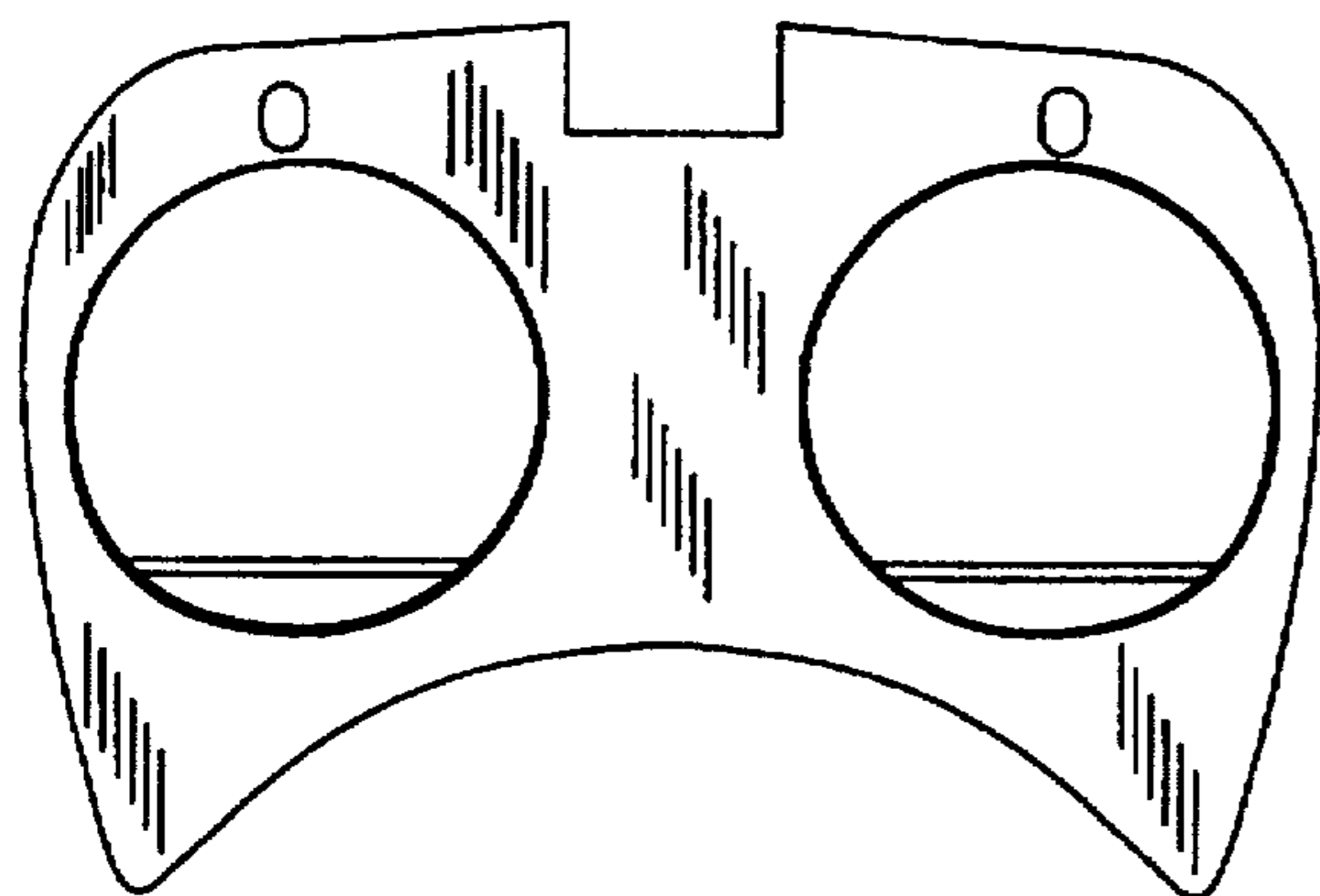


FIG. 2

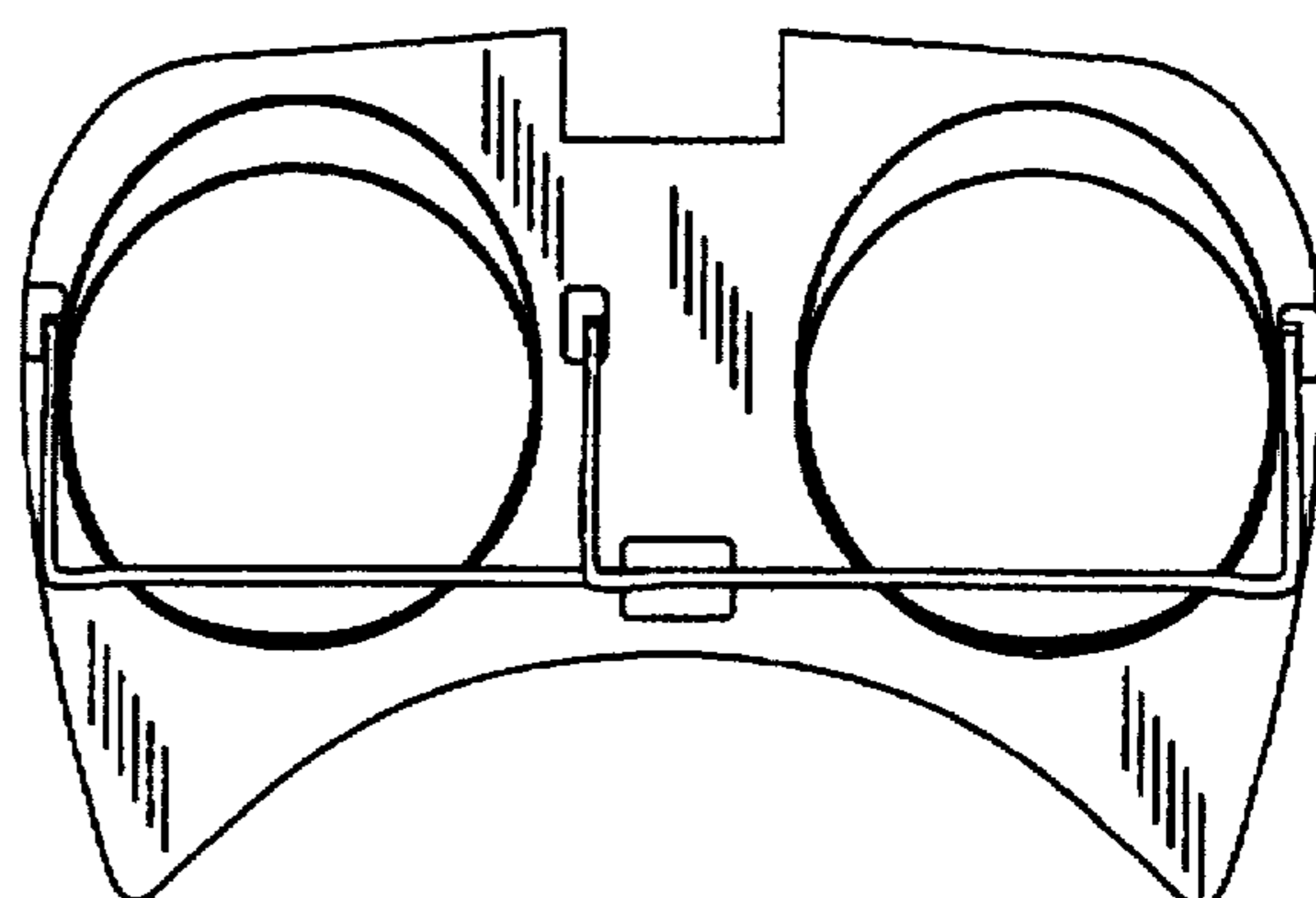


FIG. 3

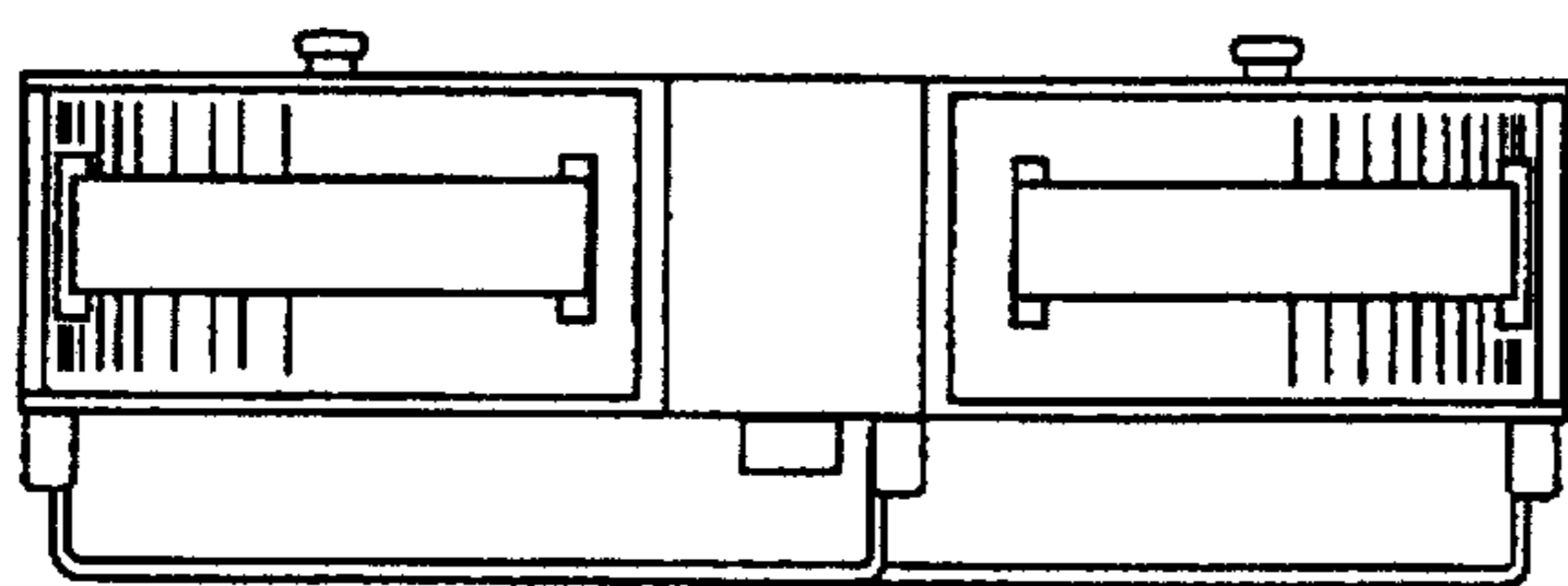


FIG. 4

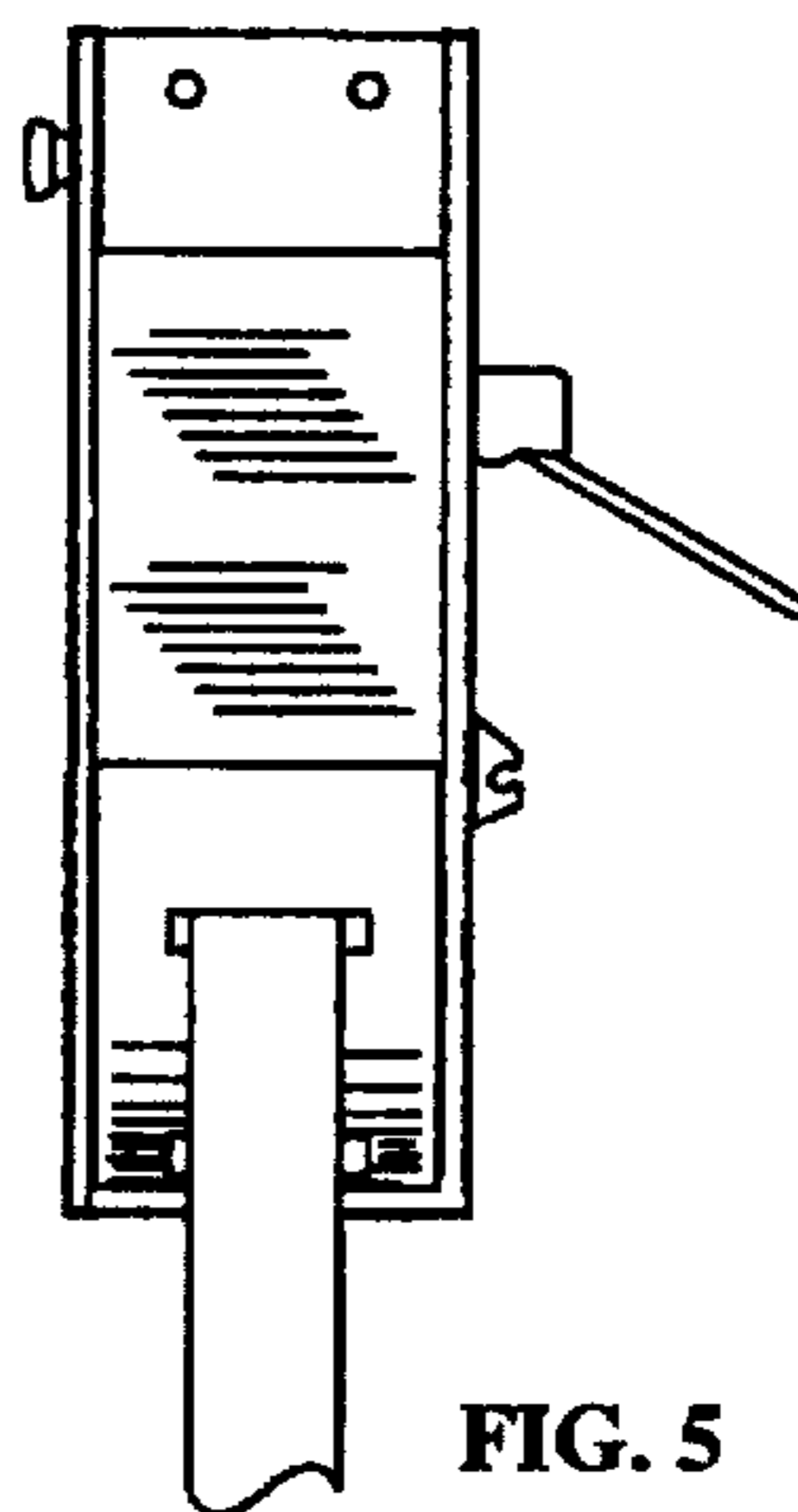


FIG. 5

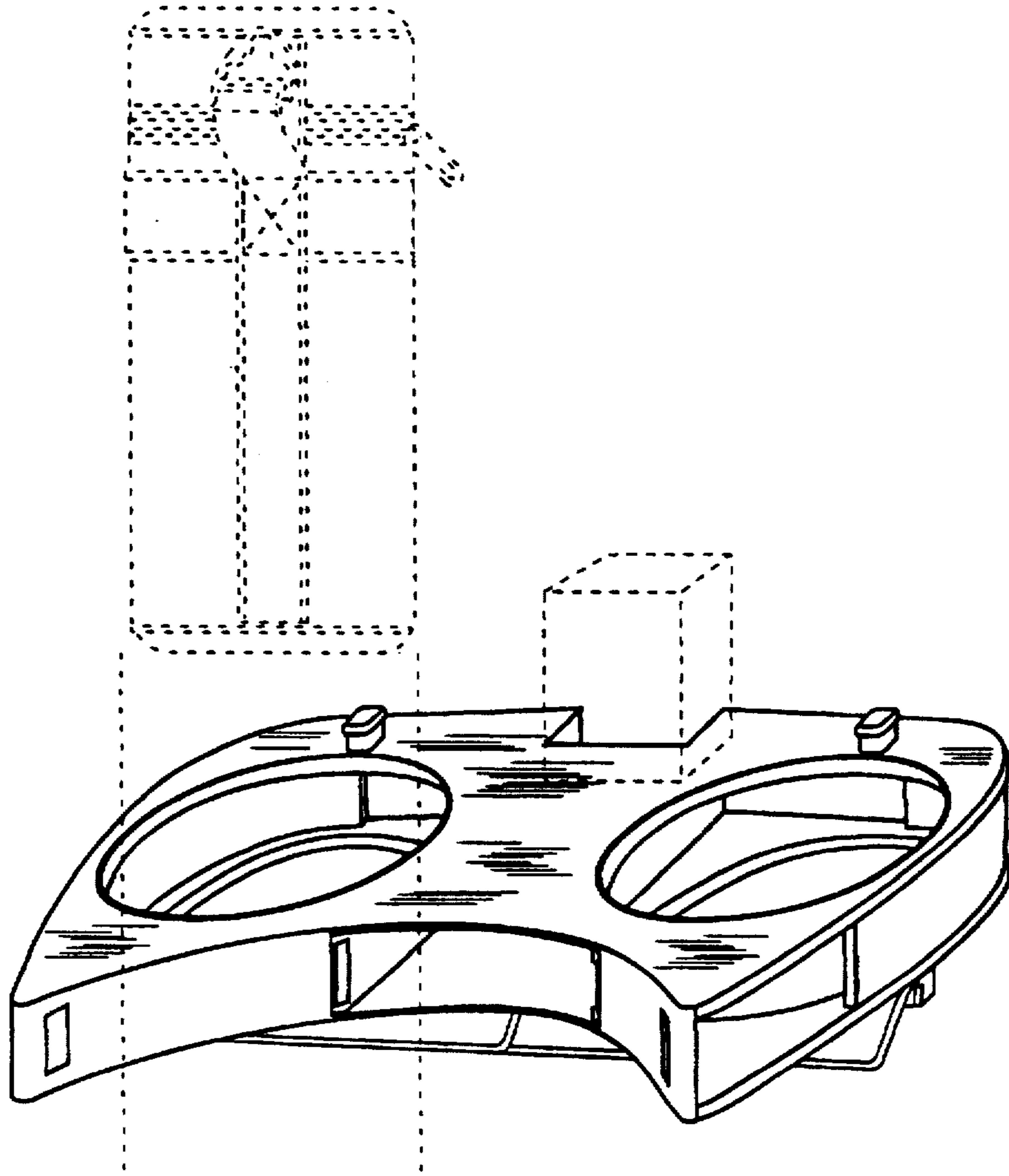


FIG. 6