



US00D397274S

**United States Patent** [19]  
**Hise**

[11] **Patent Number:** **Des. 397,274**  
[45] **Date of Patent:** **\*\*Aug. 25, 1998**

[54] **KITCHEN DRAWER ORGANIZER**

D. 353,078 12/1994 Davis et al. .... D7/637

[76] **Inventor:** **Sara M. Hise, 209 N. Sixth St.,  
Roscommon, Mich. 48653**

*Primary Examiner*—Terry A. Wallace  
*Attorney, Agent, or Firm*—Reising, Ethington, Learman &  
McCulloch, PLLC

[\*\*] **Term:** **14 Years**

[57] **CLAIM**

[21] **Appl. No.:** **68,475**

The ornamental design for a kitchen drawer organizer,  
shown and described.

[22] **Filed:** **Mar. 12, 1997**

**DESCRIPTION**

[51] **LOC (6) Cl.** ..... **07-07**

[52] **U.S. Cl.** ..... **D7/637; D19/77**

[58] **Field of Search** ..... **D7/637-641; D19/75,  
D19/77; 206/553, 557, 562, 564; 211/70.6,  
70.7; 220/23.83**

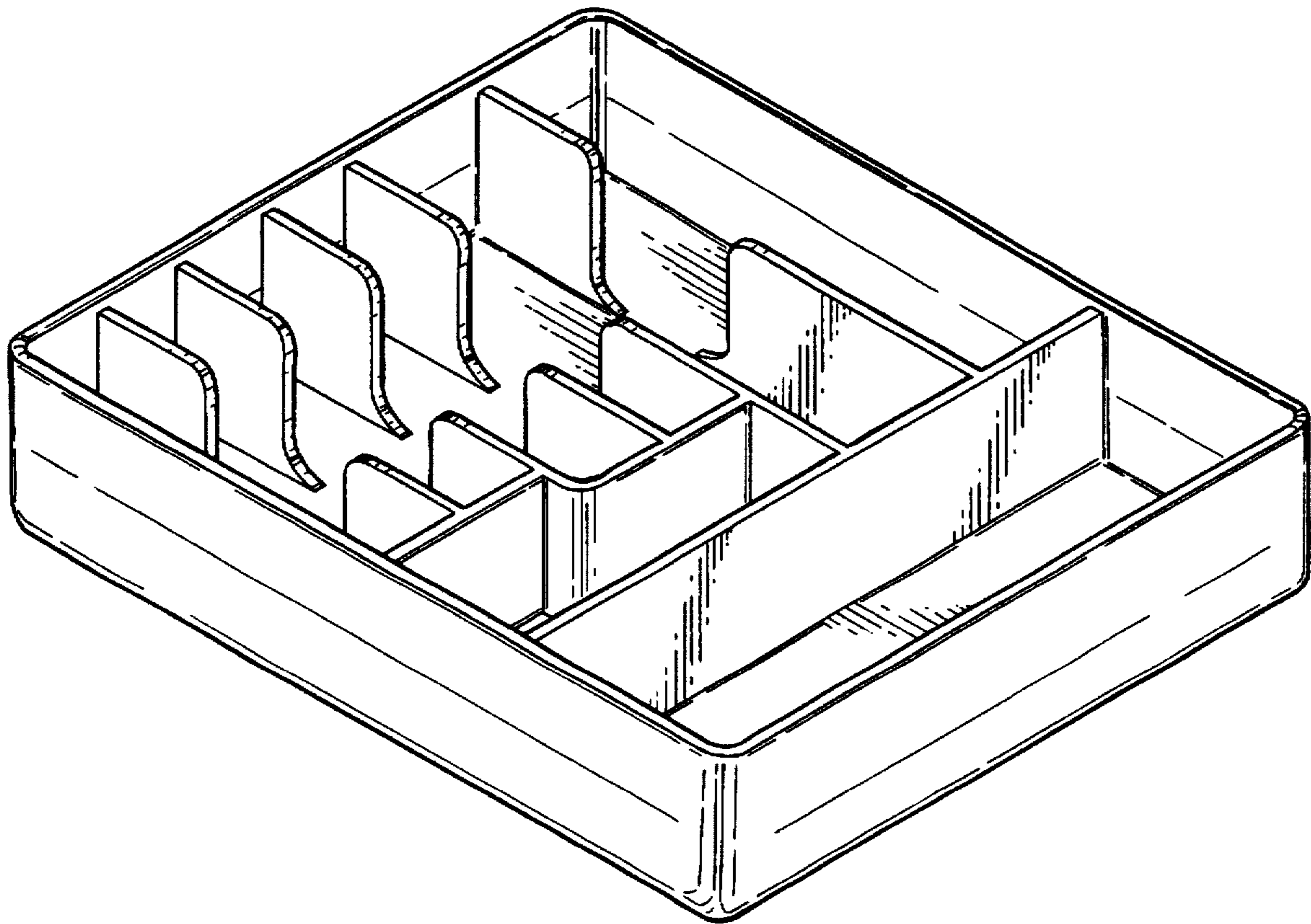
FIG. 1 is a perspective view of a kitchen drawer organizer  
showing my new design;  
FIG. 2 is a top plan view;  
FIG. 3 is a bottom plan view;  
FIG. 4 is a side elevational view; and,  
FIG. 5 is a front elevational view.

[56] **References Cited**

**U.S. PATENT DOCUMENTS**

D. 332,553 1/1993 Giugiaro ..... D7/637

**1 Claim, 2 Drawing Sheets**



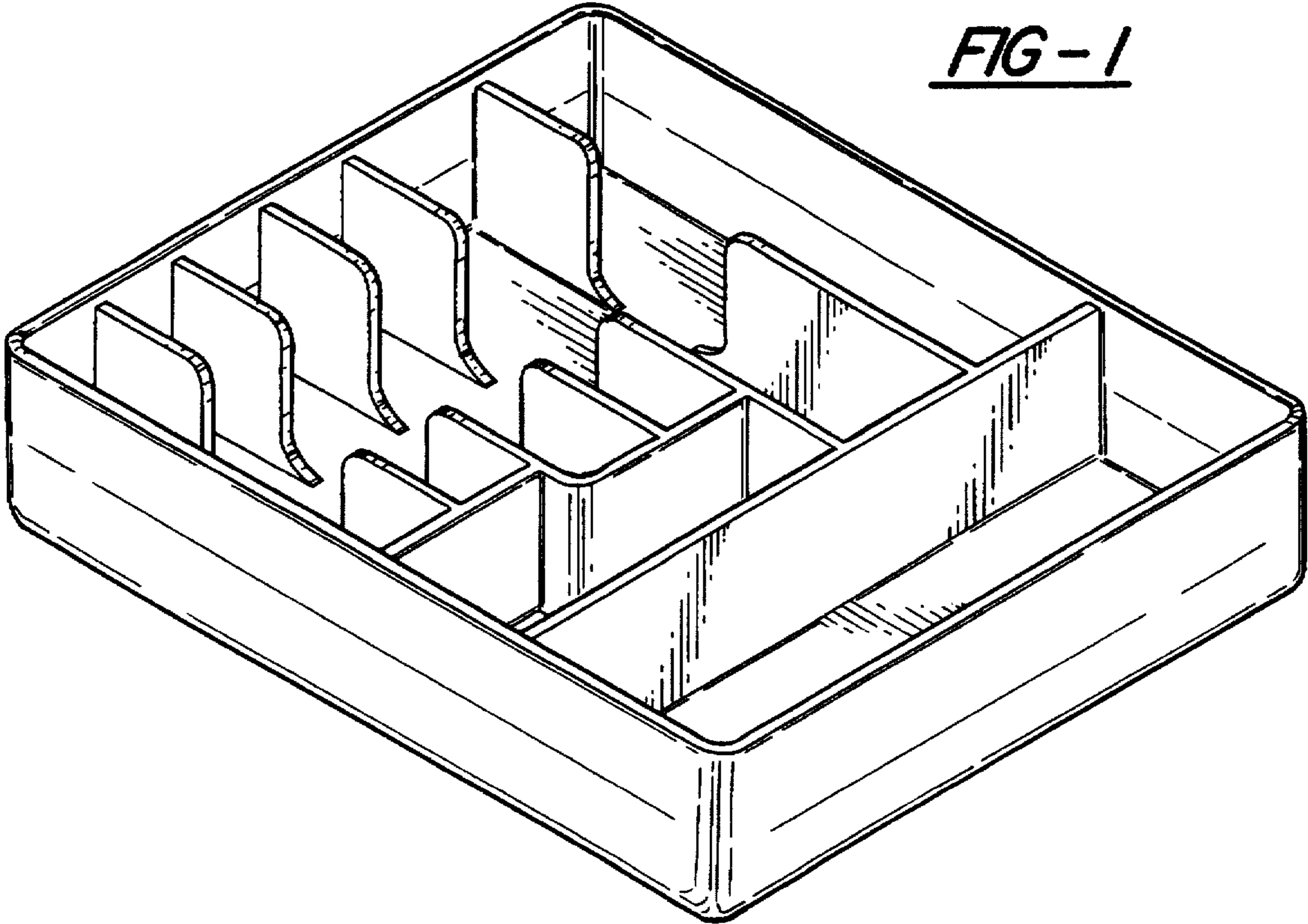


FIG-1

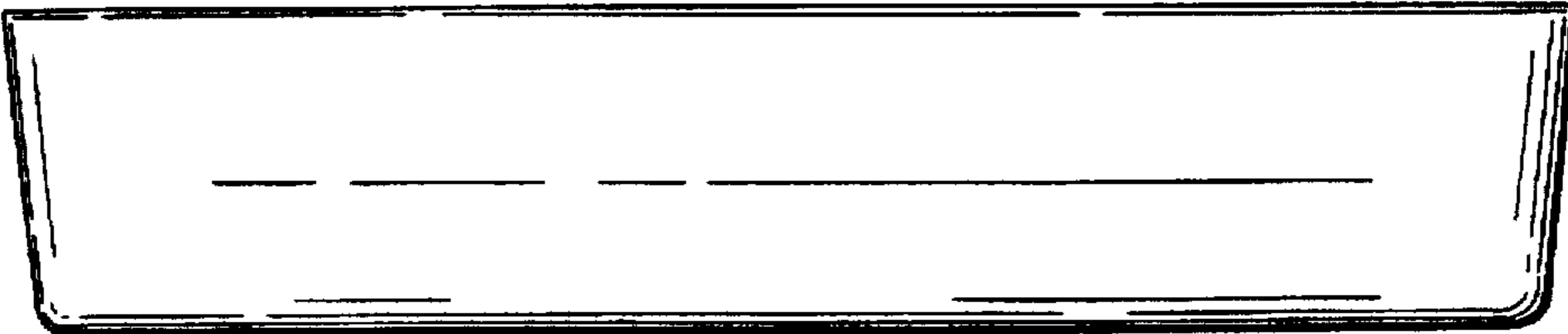


FIG-4

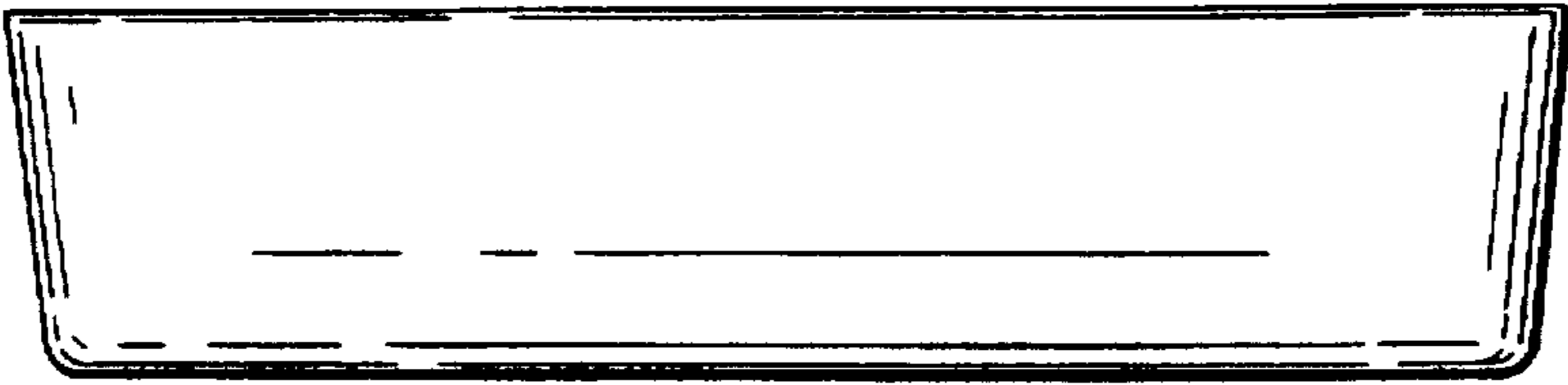


FIG-5

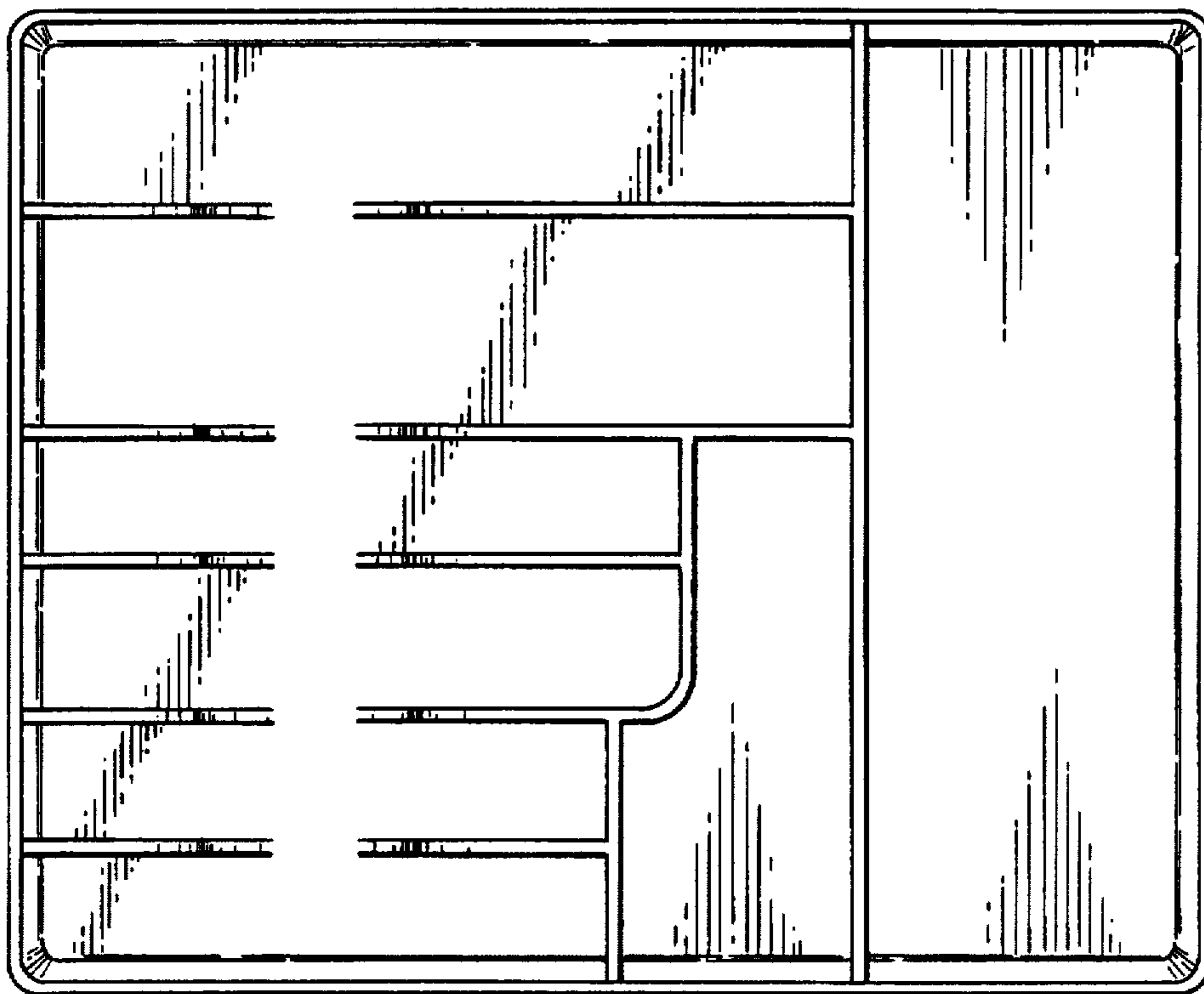


FIG-2

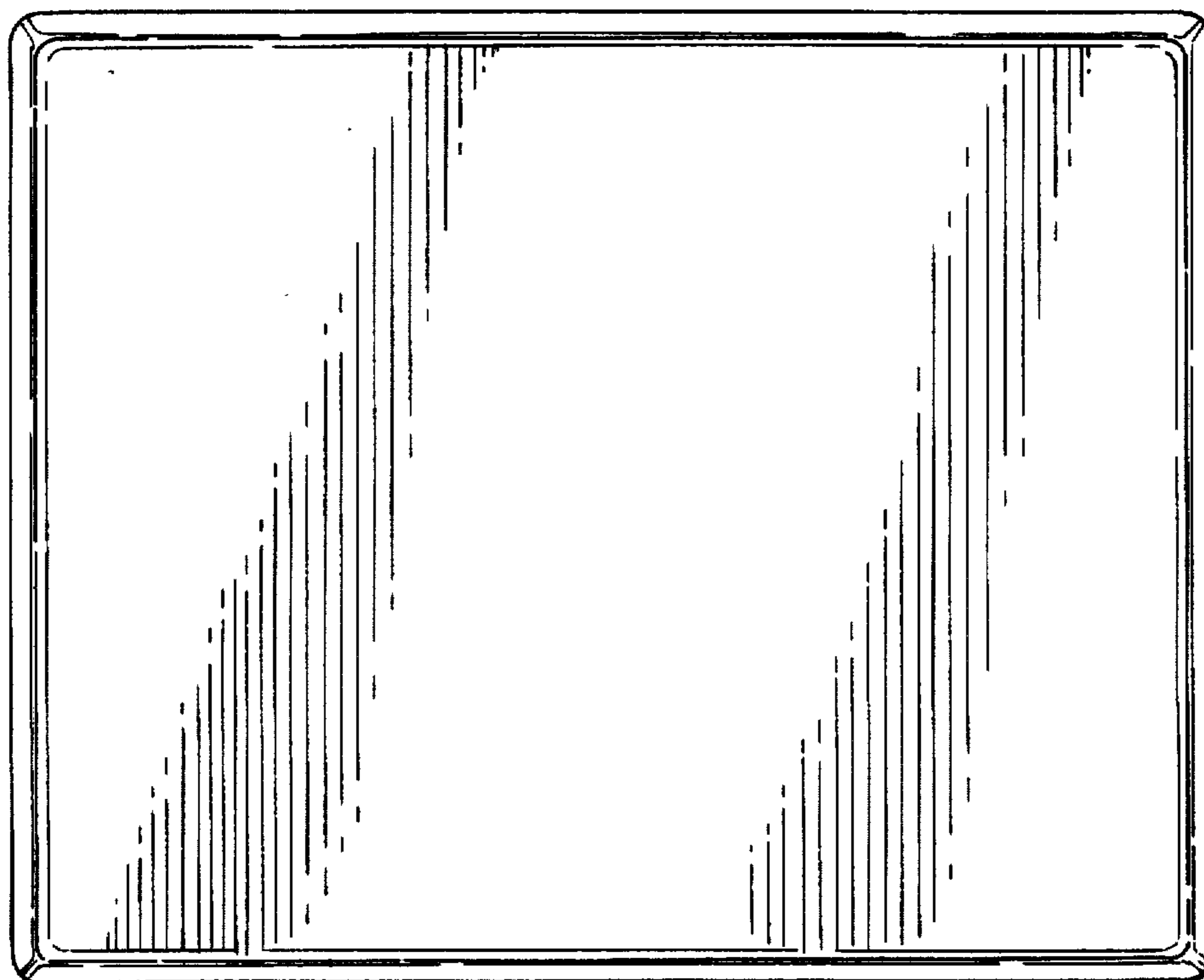


FIG-3