



US00D397272S

United States Patent [19]

Bell et al.

[11] Patent Number: Des. 397,272

[45] Date of Patent: **Aug. 25, 1998

[54] COOKWARE HANDLE

[75] Inventors: **Randall Bell**, River Forest; **Ralph LaZar**, Skokie; **Christine Gilbert**; **Marianne Grisdale**, both of Chicago, all of Ill.

[73] Assignee: **Ekco Housewares, Inc.**, Franklin Park, Ill.

[**] Term: **14 Years**

[21] Appl. No.: **64,695**

[22] Filed: **Jan. 9, 1997**

[51] LOC (6) CL **07-02**

[52] U.S. Cl. **D7/395**

[58] Field of Search D7/354-361, 393, D7/395; 16/110 A, 110 R; 99/324, 325, 339, 345, 425, 426, 445; 220/912

[56] **References Cited**

U.S. PATENT DOCUMENTS

D. 173,131	9/1954	Schreckengost	D7/360
D. 324,624	3/1992	Gerlach	D7/361
D. 328,996	9/1992	Gerlach	D7/361
D. 361,695	8/1995	Sutker	D7/401.2

D. 375,433	11/1996	Jorgensen	D7/354
2,328,366	8/1943	Timmermann	273/76
4,452,289	6/1984	Smith	145/62
4,951,533	8/1990	Hillinger	81/177.1

Primary Examiner—Caron D. Veynar
Attorney, Agent, or Firm—Wolf, Greenfield & Sacks, P.C.

[57] **CLAIM**

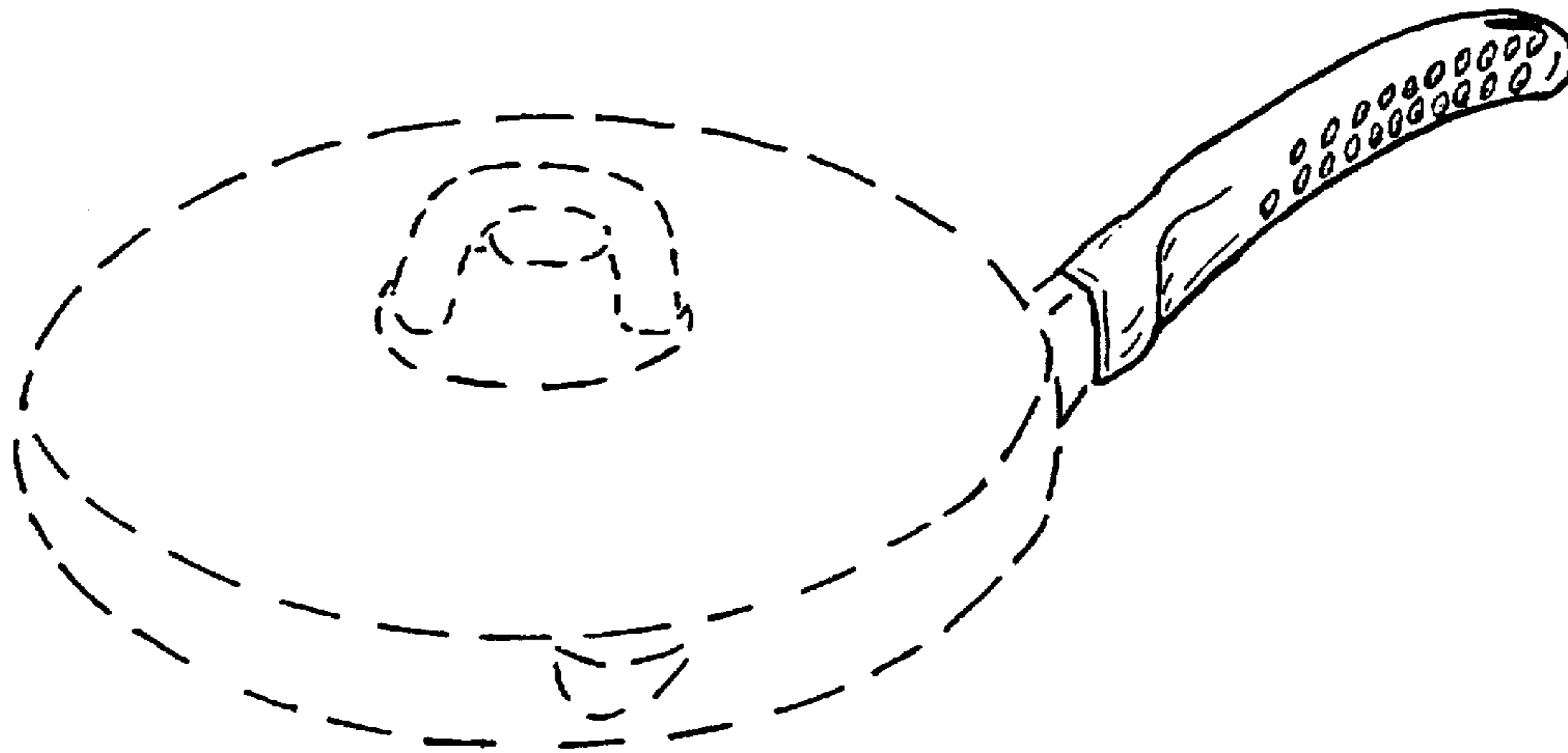
The ornamental design for a cookware handle, as shown and described.

DESCRIPTION

FIG. 1 is a side, top perspective view of a cookware handle showing our new design;
FIG. 2 is a left side elevation view thereof;
FIG. 3 is a right side elevation view thereof;
FIG. 4 is a top plan view thereof;
FIG. 5 is a top plan view of a second embodiment of FIGS. 1-2 and 6-8, the only difference being the deletion of the hanger hole;
FIG. 6 is a bottom plan view of FIG. 1;
FIG. 7 is a front elevation view of FIG. 1; and
FIG. 8 is a rear elevation of FIG. 1.

The broken line showings in FIGS. 1-8 are for illustrative purposes only and form no part of the claimed design.

1 Claim, 4 Drawing Sheets



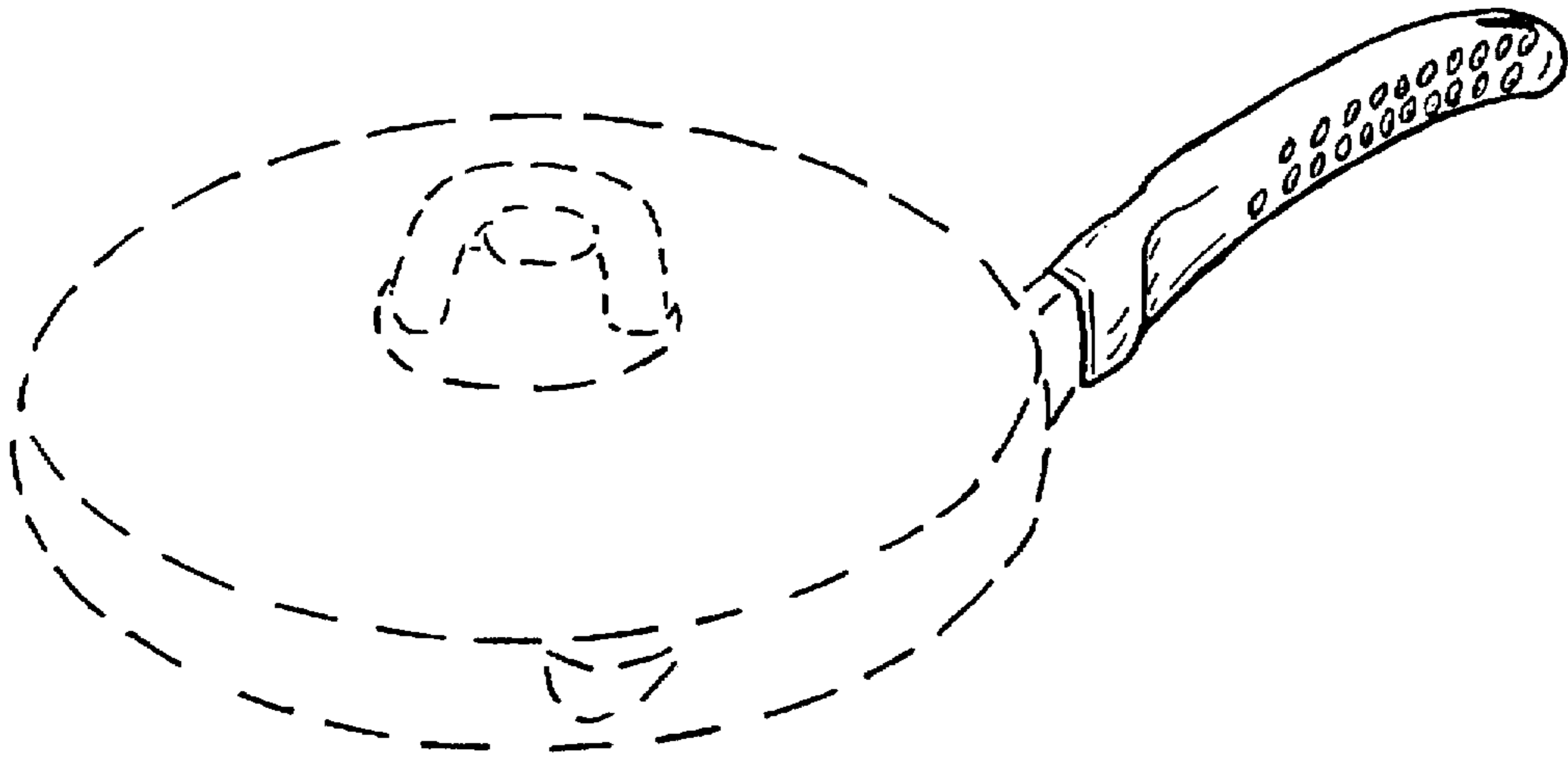


Fig. 1

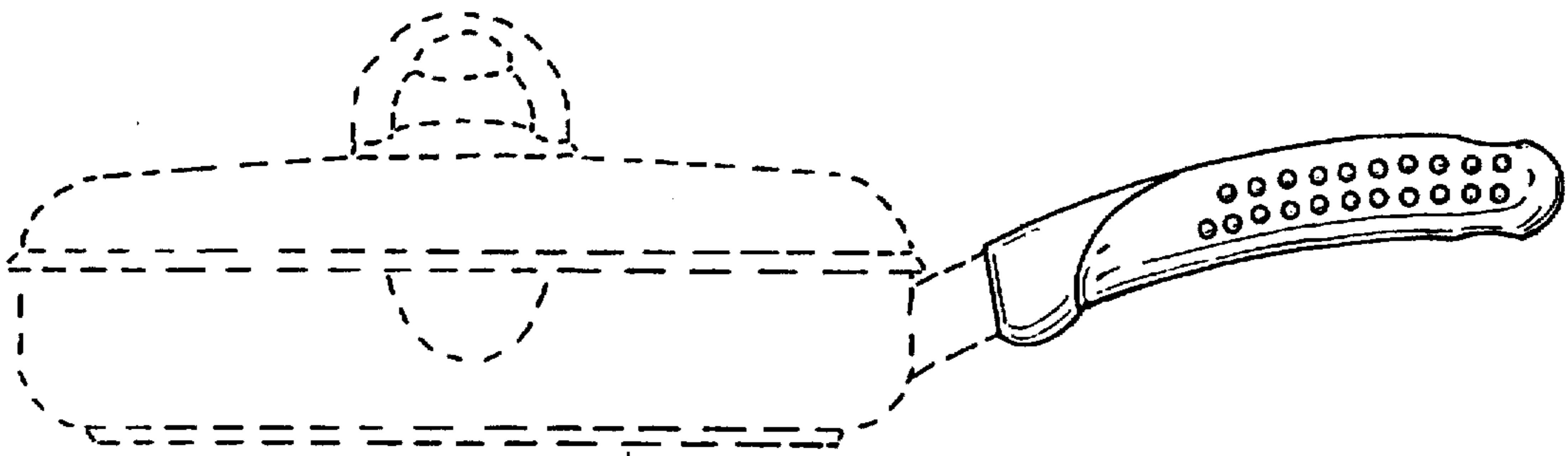


Fig. 2

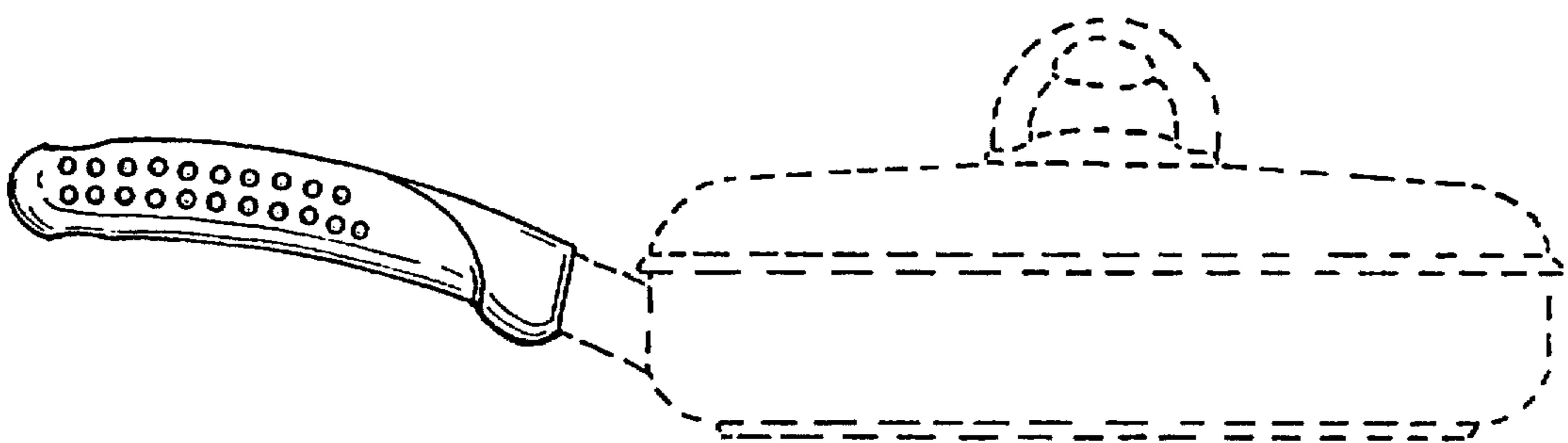


Fig. 3

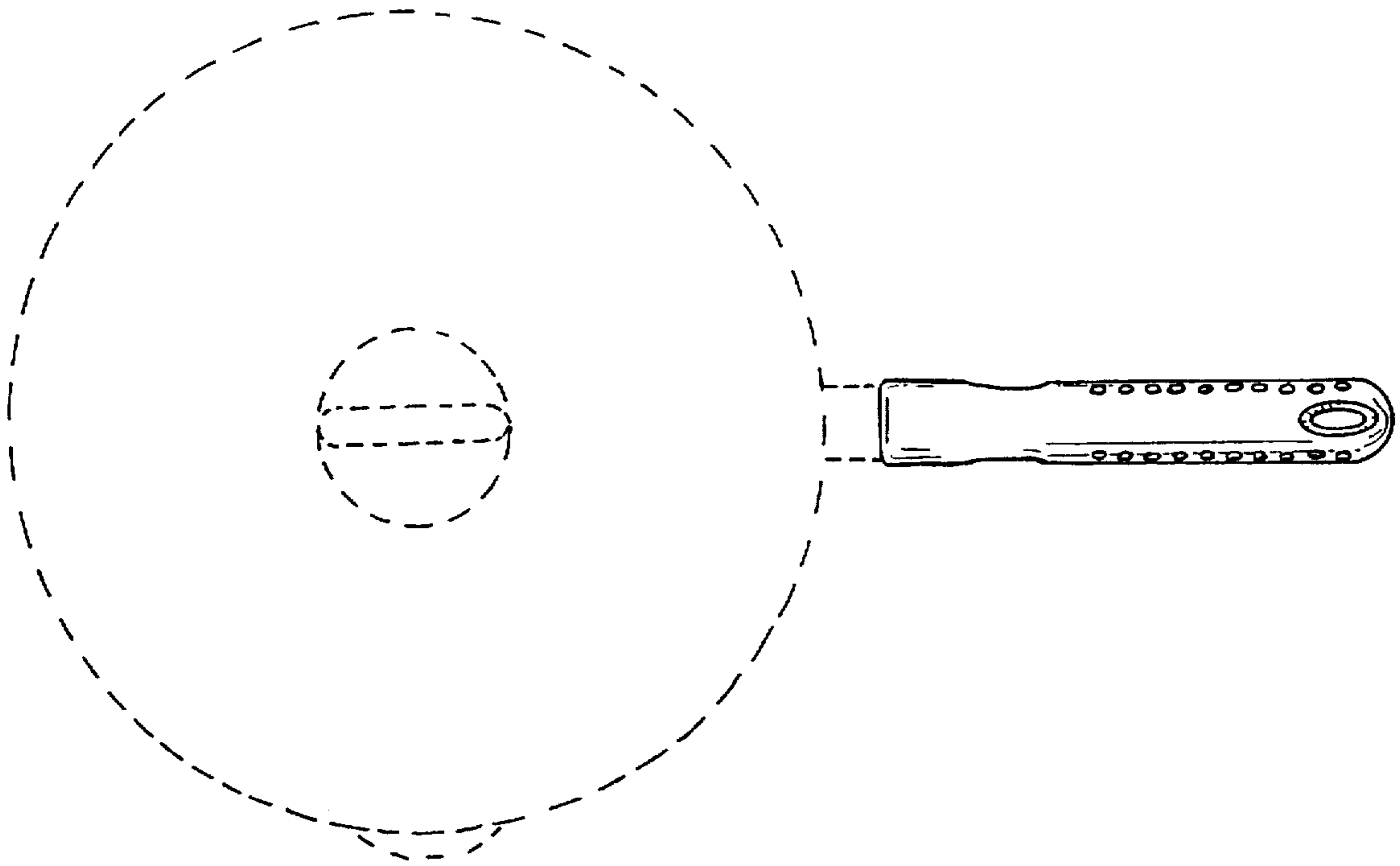


Fig. 4

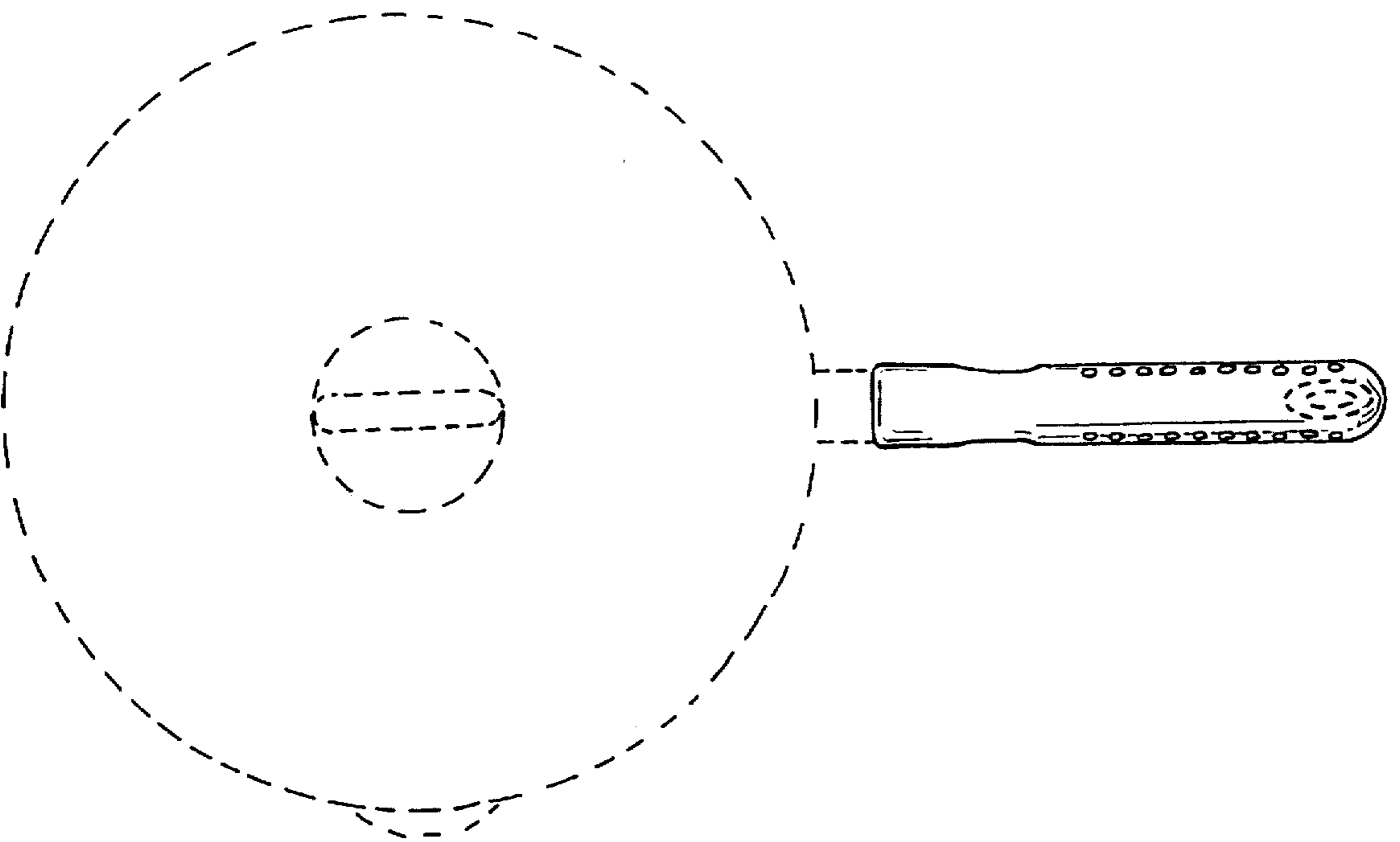


Fig. 5

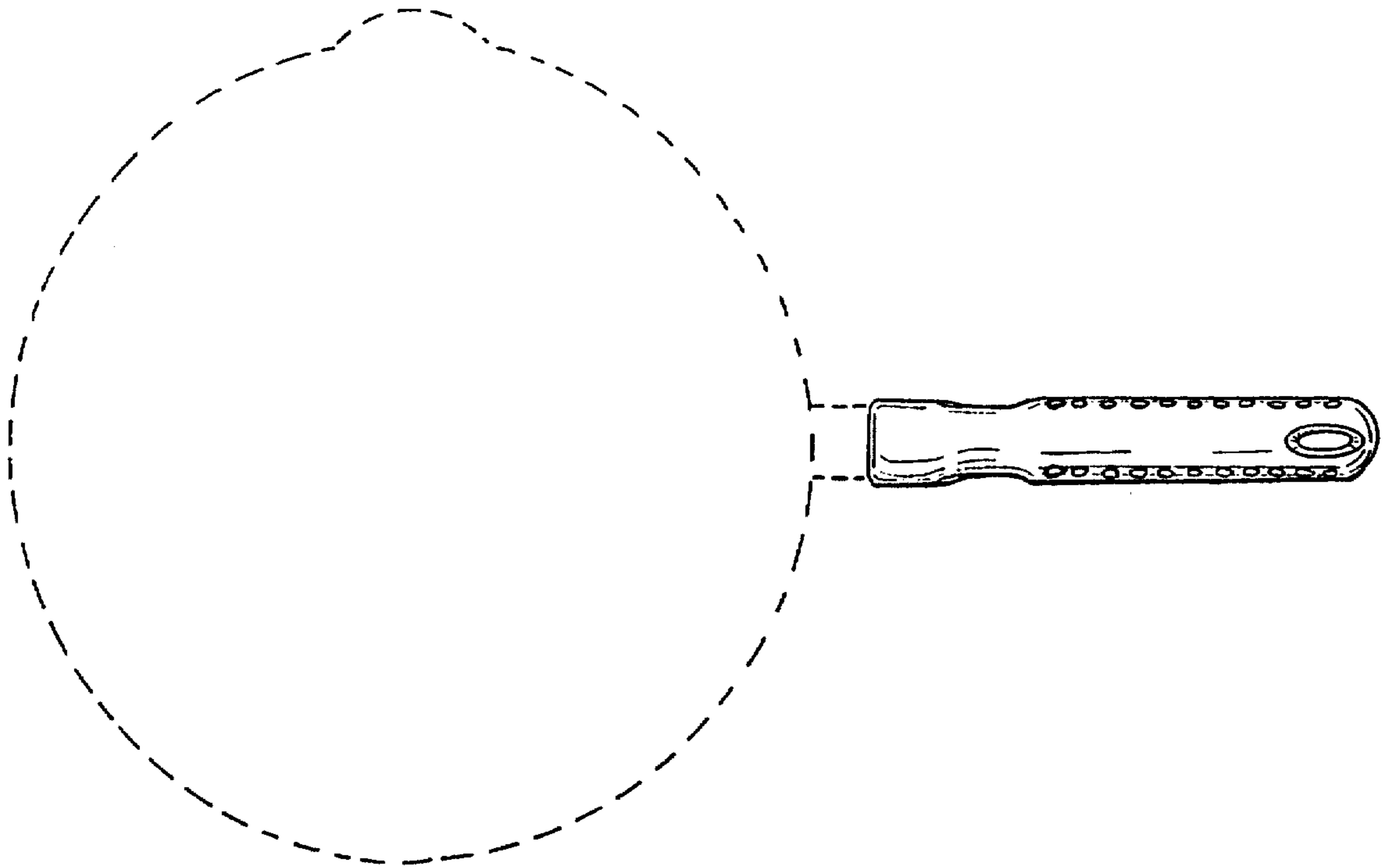


Fig. 6

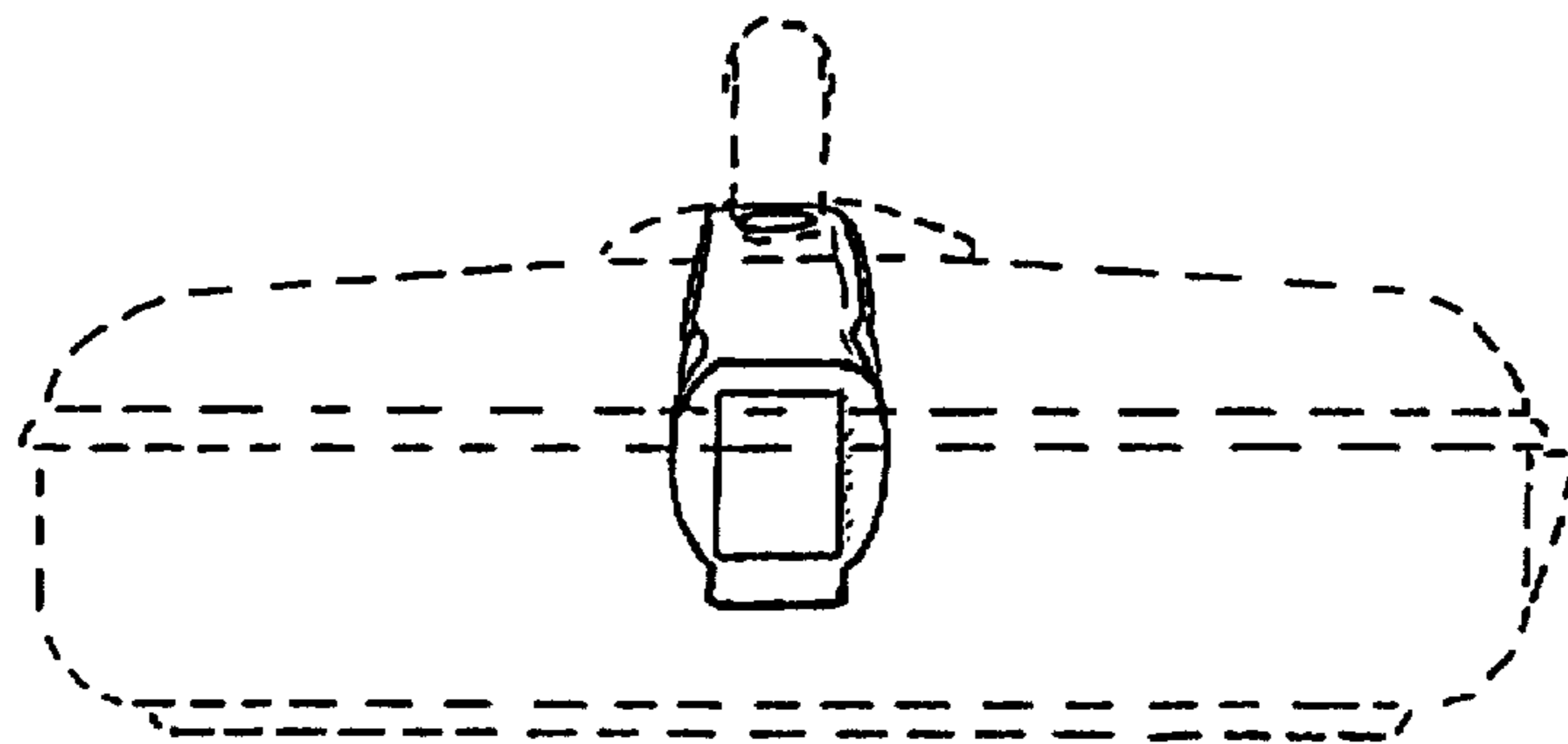


Fig. 7

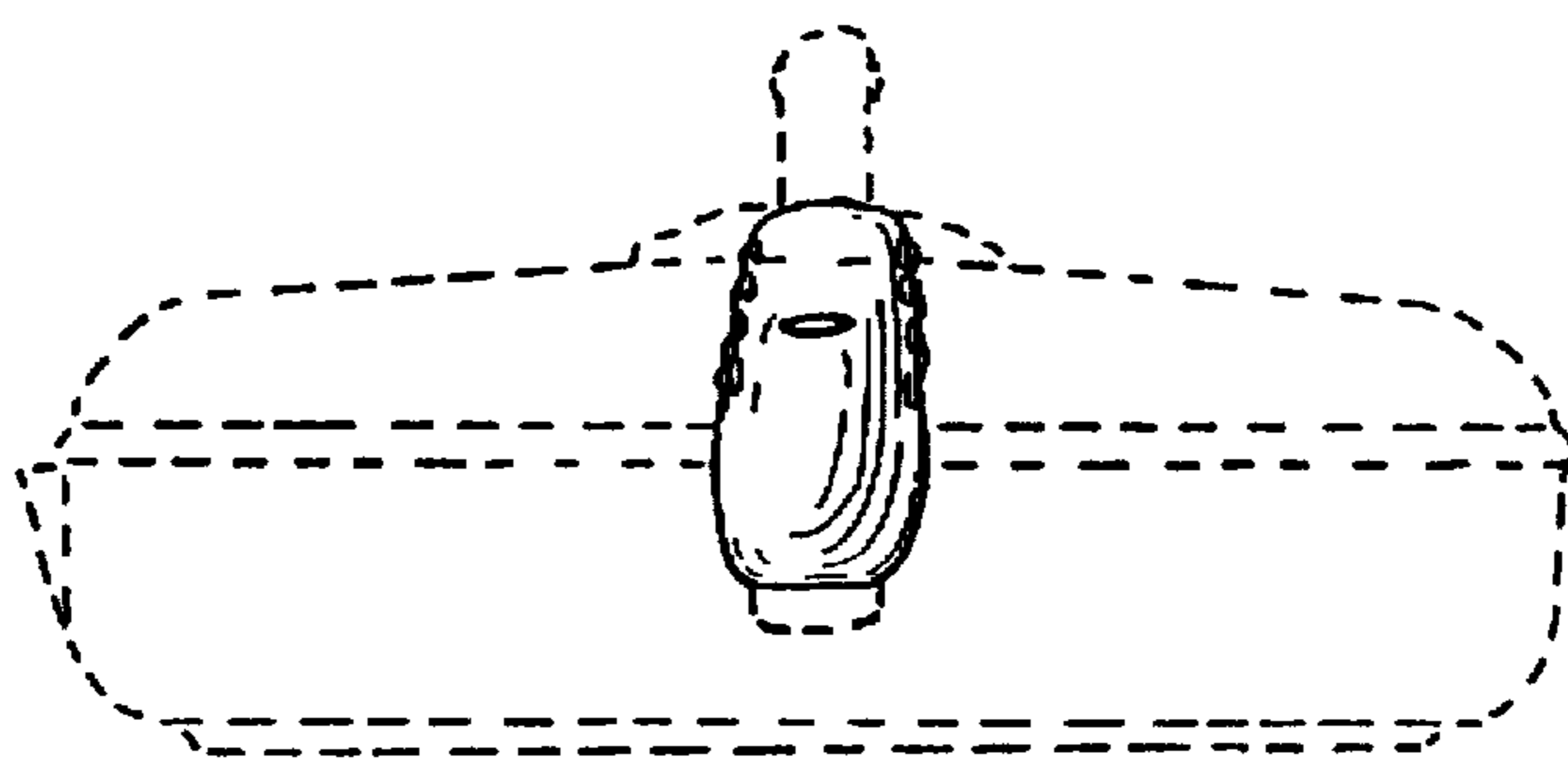


Fig. 8