

US00D397271S

United States Patent [19]
Mandell

[11] **Patent Number: Des. 397,271**
[45] **Date of Patent: **Aug. 25, 1998**

[54] **TOASTER**

[75] **Inventor: Jonathan Mandell, North Canton, Ohio**

[73] **Assignee: Sunbeam Products, Inc., Delray Beach, Fla.**

[**] **Term: 14 Years**

[21] **Appl. No.: 70,046**

[22] **Filed: Apr. 25, 1997**

[51] **LOC (6) Cl. 07-02**

[52] **U.S. Cl. D7/330**

[58] **Field of Search D7/323, 328-330, D7/390; 99/327, 341, 372, 385, 389, 391, 392**

[56] **References Cited**

U.S. PATENT DOCUMENTS

- D. 367,990 3/1996 Roze D7/330
- D. 374,370 10/1996 Barthelemy et al. D7/330
- D. 377,578 1/1997 Barthelemy et al. D7/330

D. 379,899 6/1997 Barthelemy et al. D7/330

Primary Examiner—Caron D. Venyar
Attorney, Agent, or Firm—Charles E. Kosinski; William E. Kuss

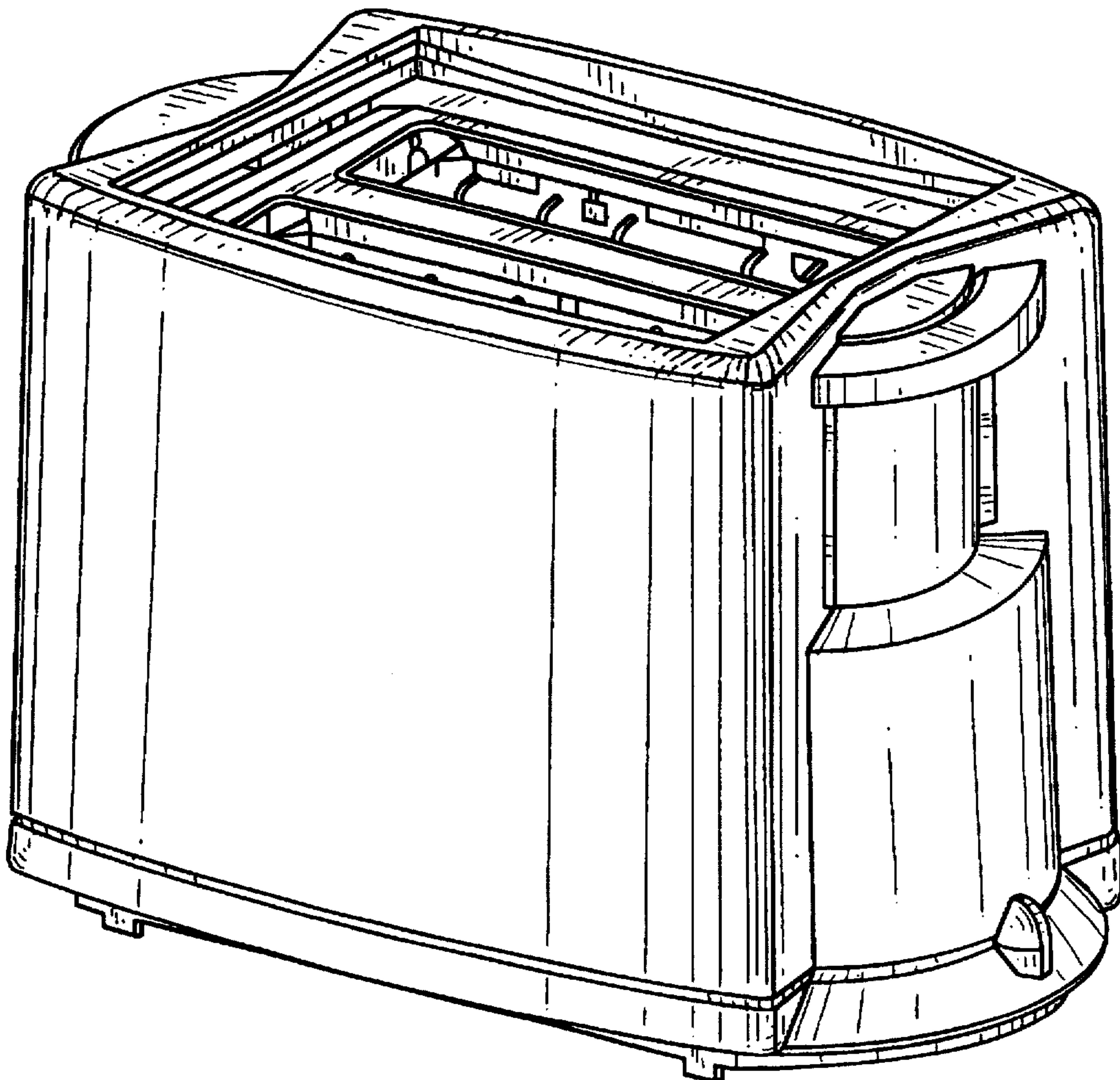
[57] **CLAIM**

The ornamental design for a toaster, as shown and described.

DESCRIPTION

FIG. 1 is an isometric view of a toaster of the present invention;
FIG. 2 is a front elevational view of the toaster of FIG. 1;
FIG. 3 is a rear elevational view of the toaster of FIG. 1;
FIG. 4 is a right side elevational view of the toaster of FIG. 1;
FIG. 5 is a left side elevational view of the toaster of FIG. 1;
FIG. 6 is a top plan view of the toaster of FIG. 1;
FIG. 7 is a bottom plan view of the toaster of FIG. 1; and
FIG. 8 is an isometric view of the toaster of FIG. 1 shown up-side down.

1 Claim, 5 Drawing Sheets



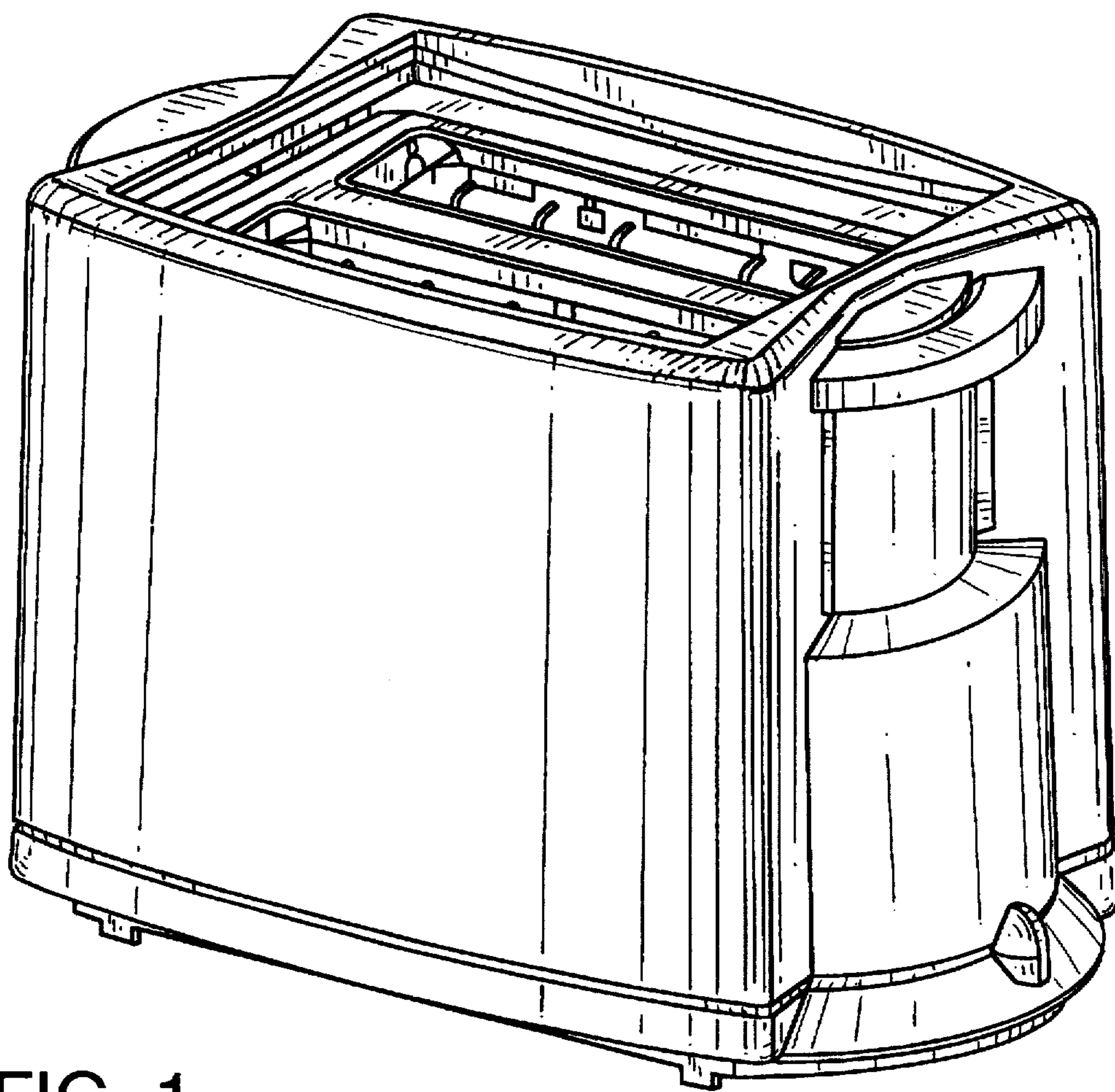


FIG. 1

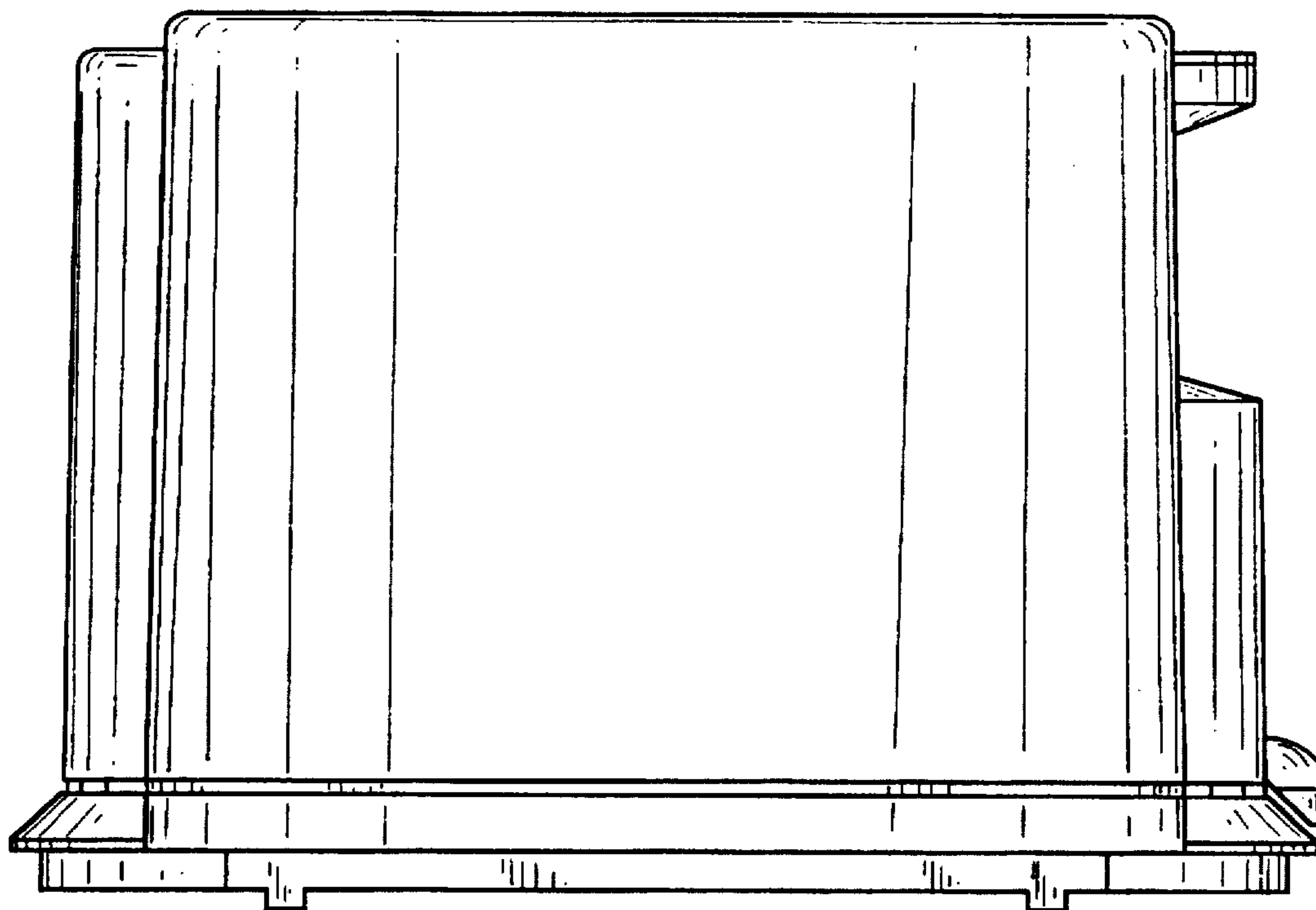


FIG. 2

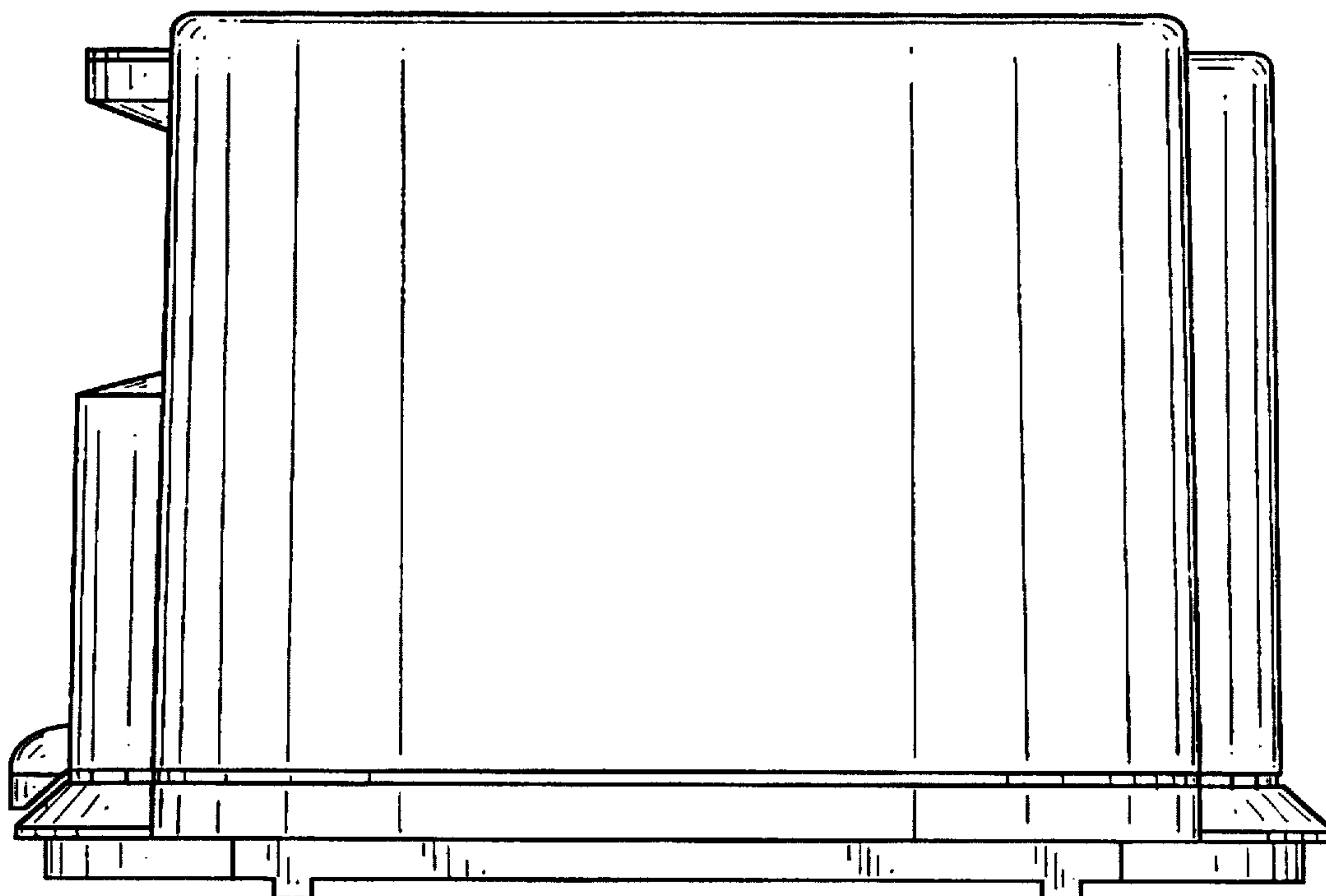


FIG. 3

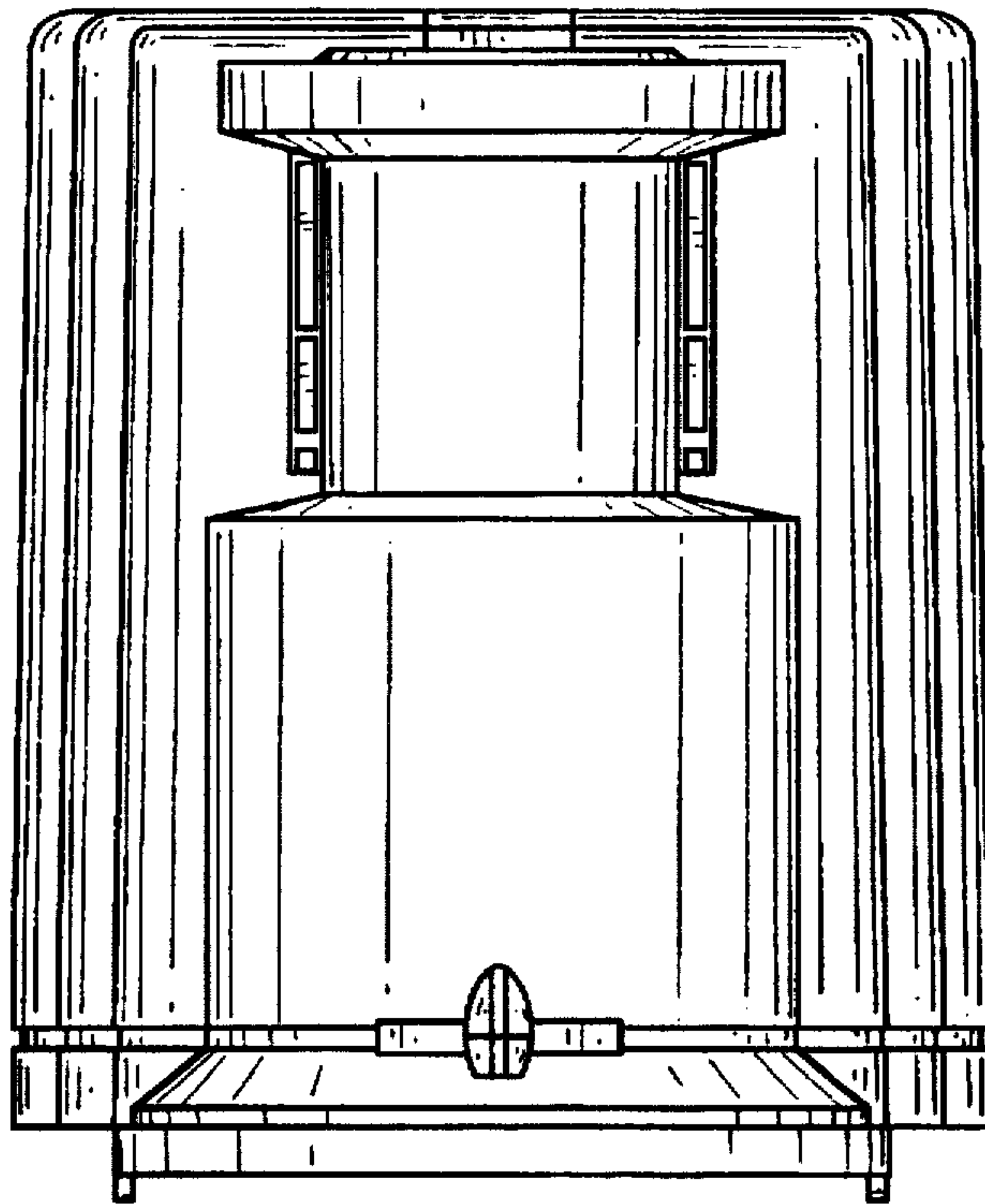


FIG. 4

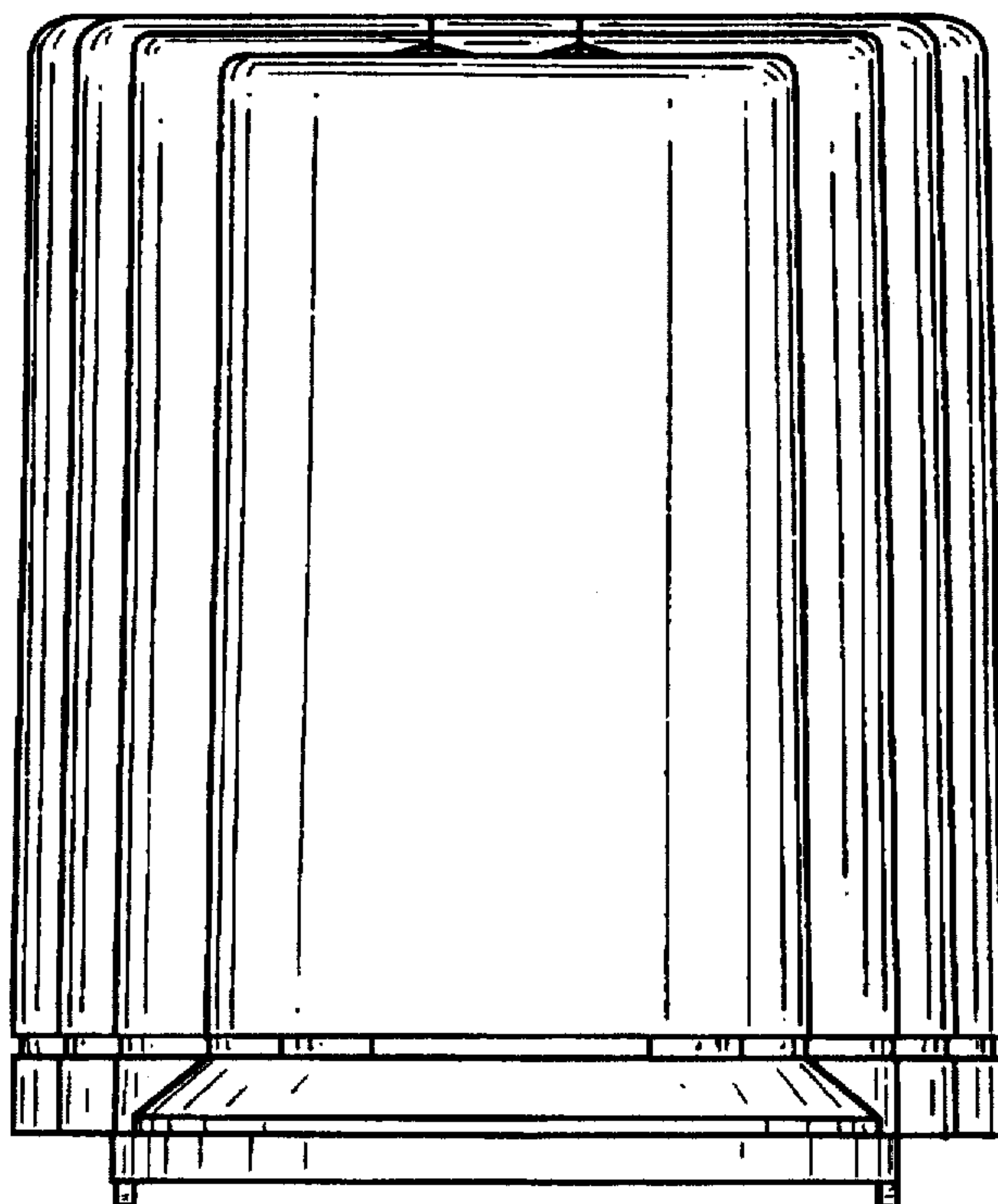


FIG. 5

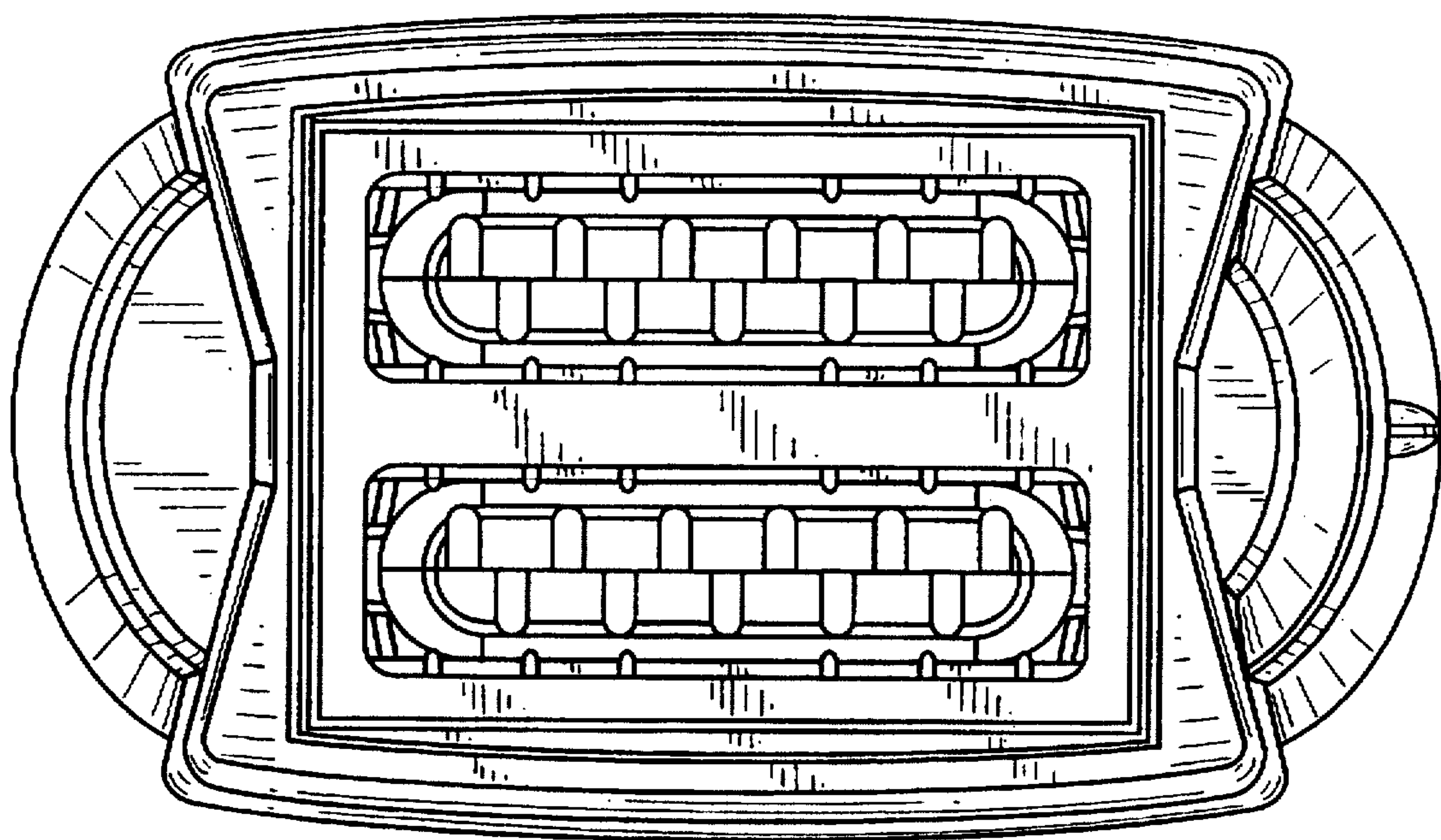


FIG. 6

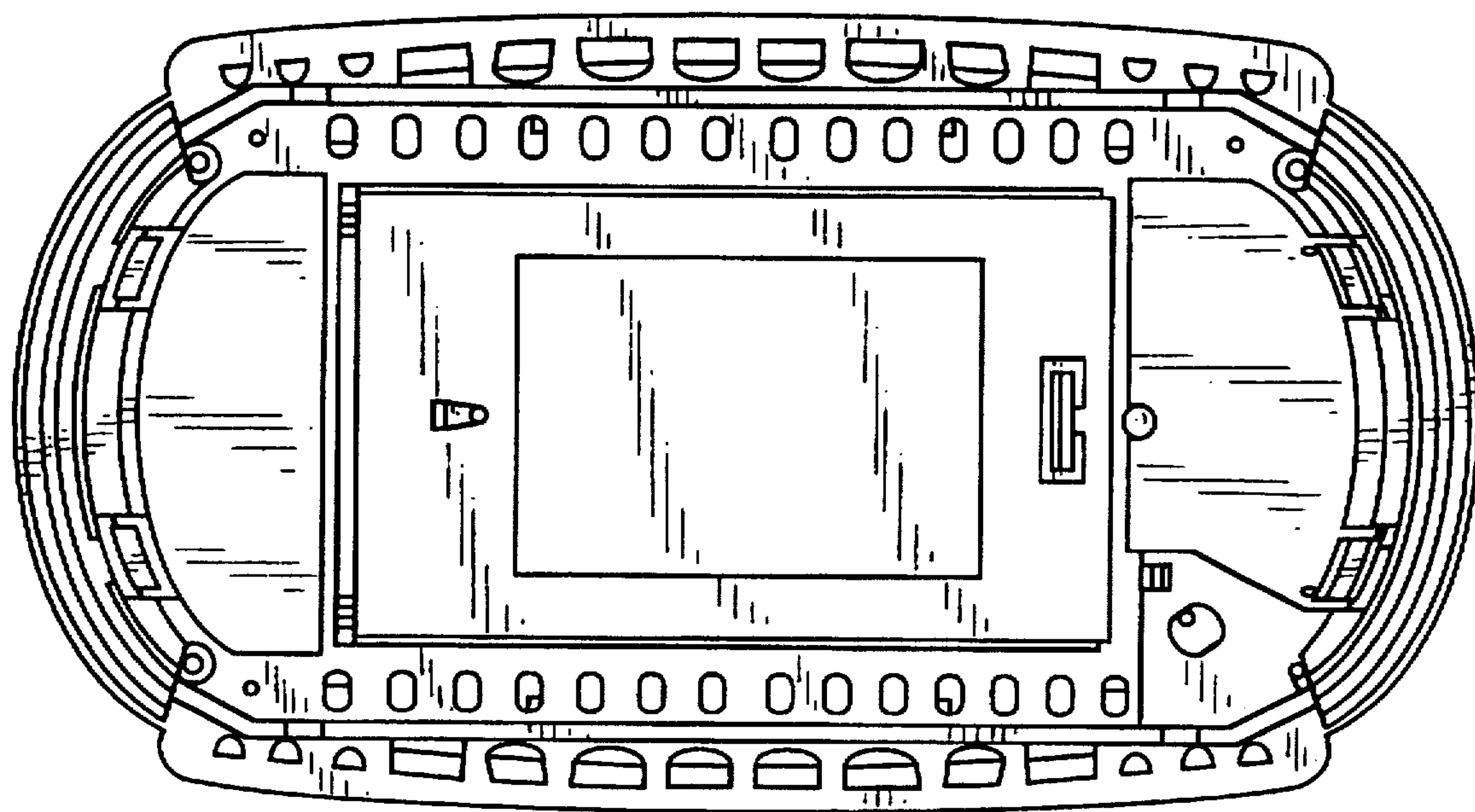


FIG. 7

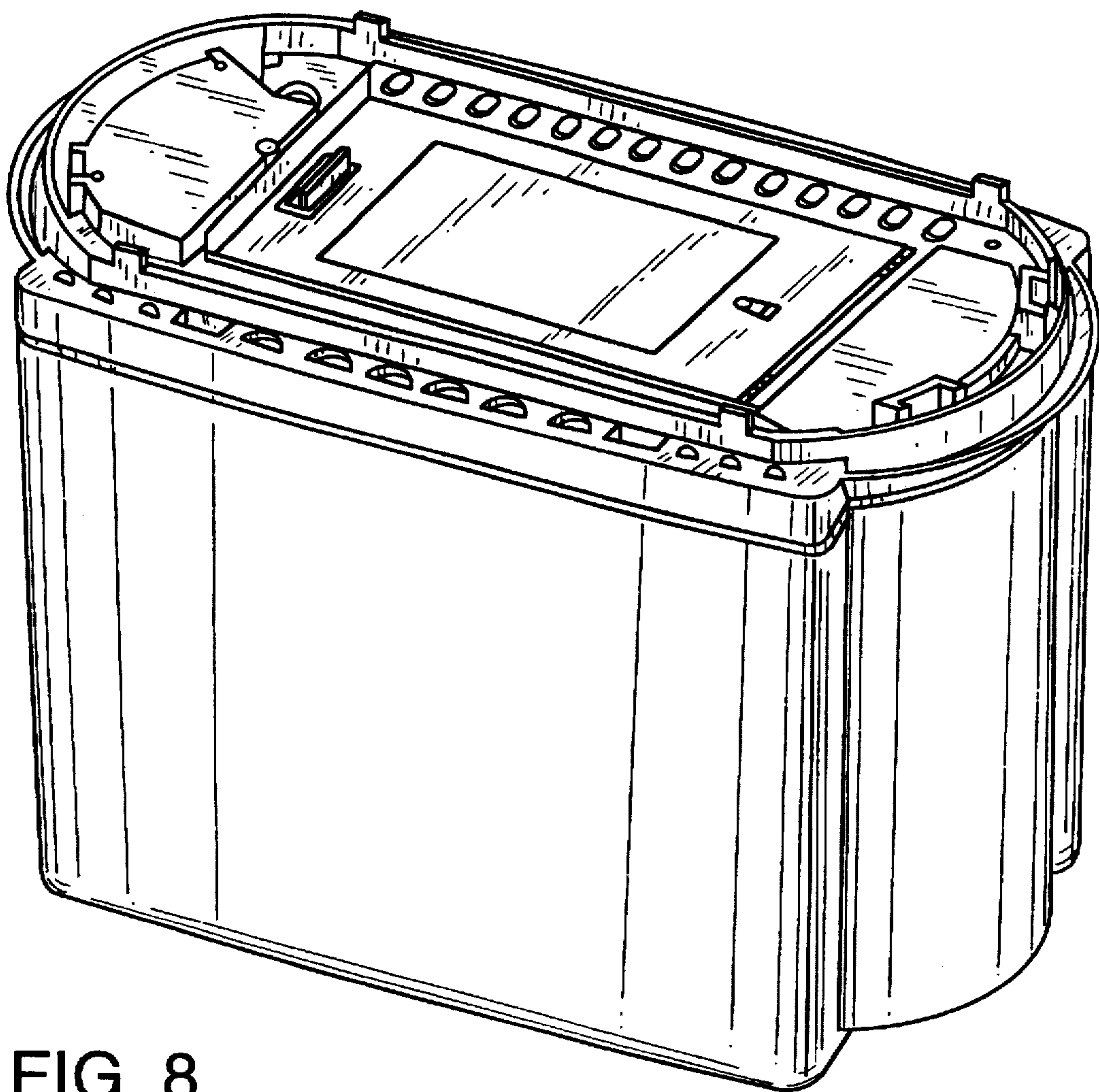


FIG. 8