



US00D397270S

**United States Patent** [19]  
**Maalouf**

[11] **Patent Number: Des. 397,270**  
[45] **Date of Patent: \*\*Aug. 25, 1998**

[54] **PILLOW HAVING A CHANNEL FORMED CENTRALLY THERE THROUGH**

[76] **Inventor: Fadi Maalouf, 4908 Yeaworth La., Manlius, N.Y. 13104**

[\*\*] **Term: 14 Years**

[21] **Appl. No.: 72,353**

[22] **Filed: Jun. 13, 1997**

[51] **LOC (6) CL. .... 06-09**

[52] **U.S. CL. .... D6/601; D25/113**

[58] **Field of Search .... D25/112, 113; D6/595, 596, 601, 604; 5/630, 632, 633, 636, 637, 641, 652, 653, 654, 655, 656, 907, 652.1; D21/108; 446/122, 125; 52/596**

[56] **References Cited**

**U.S. PATENT DOCUMENTS**

1,894,605	1/1933	Wright	.....	D21/108	X
1,934,918	11/1933	Everson	.....	5/630	X
3,305,878	2/1967	Hellbaum	.....	5/630	X
5,685,120	11/1997	Sihra	.....	446/125	

**FOREIGN PATENT DOCUMENTS**

1934180 6/1969 Germany ..... D25/113

**OTHER PUBLICATIONS**

Eagle Belting Co., c1983, p.2, 3L Sec Twin ato top.

*Primary Examiner*—Janice E. Seeger  
*Attorney, Agent, or Firm*—George R. McGuire

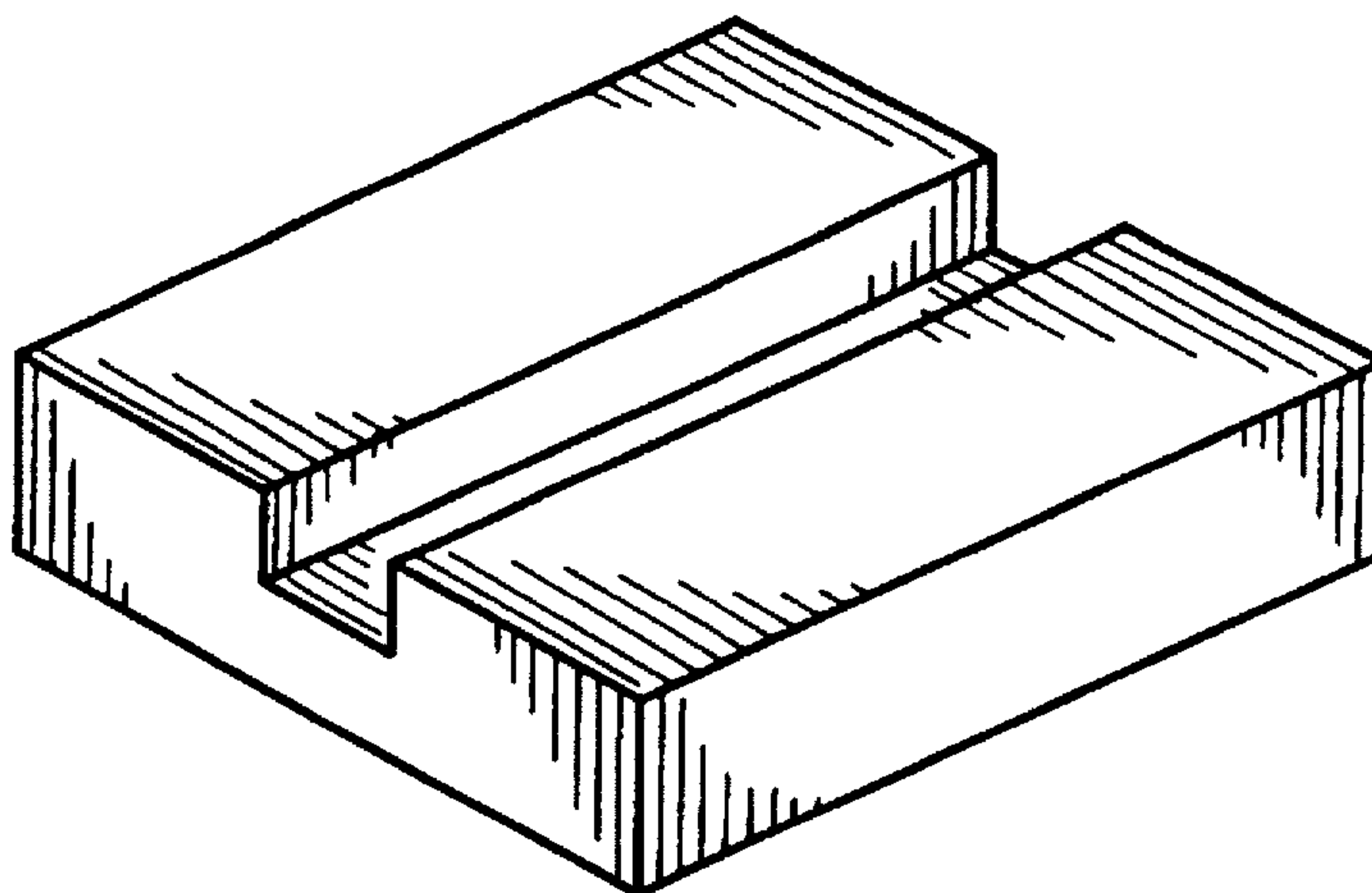
[57] **CLAIM**

The ornamental design for pillow having a channel formed centrally therethrough, as shown and described.

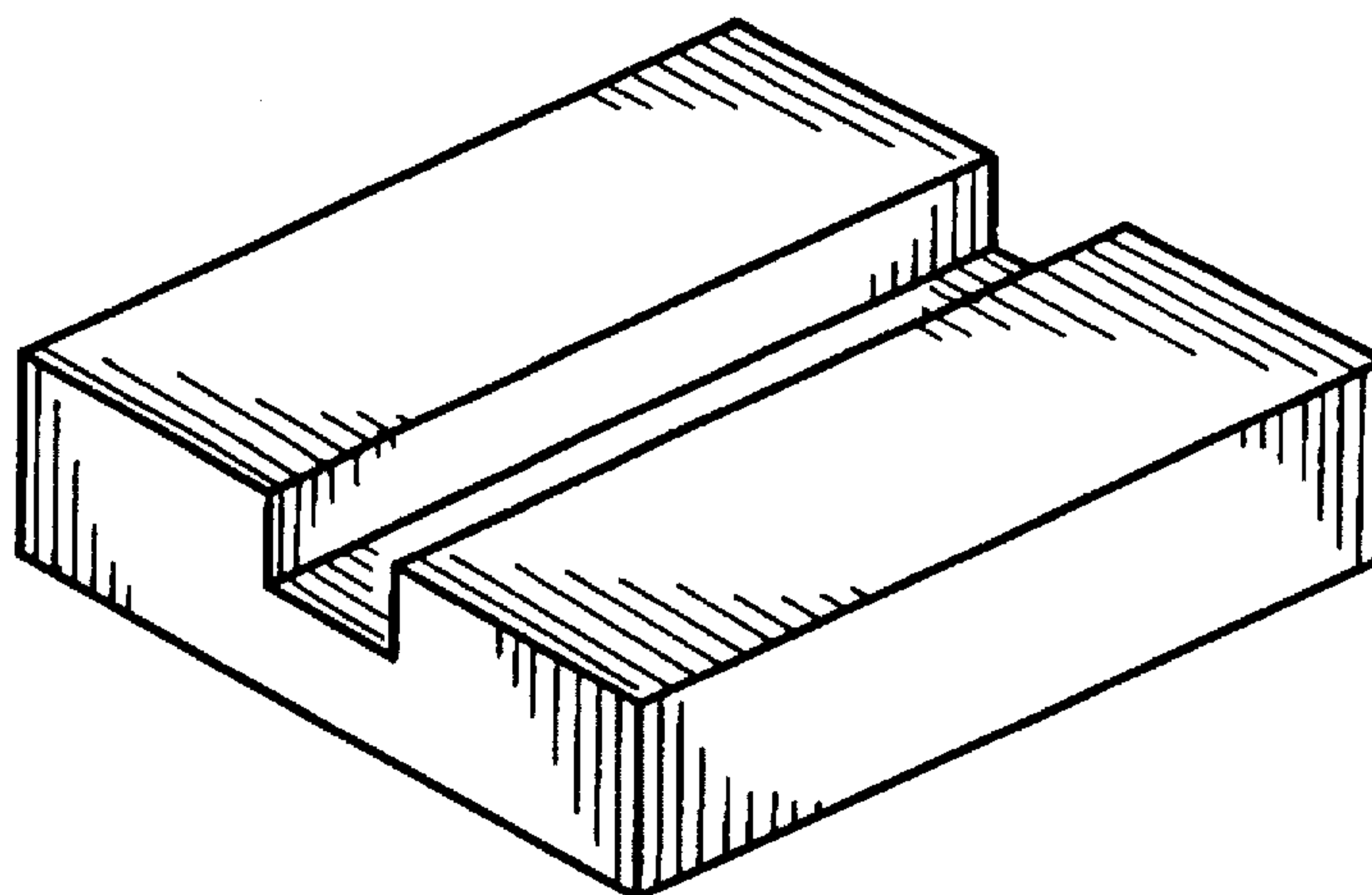
**DESCRIPTION**

FIG. 1 is a perspective view of the present invention;  
FIG. 2 is a bottom plan view thereof;  
FIG. 3 is a top plan view thereof;  
FIG. 4 is a front elevational view thereof, the rear elevation being a mirror image thereof; and,  
FIG. 5 is a side elevational view thereof, the other side being a mirror image thereof.

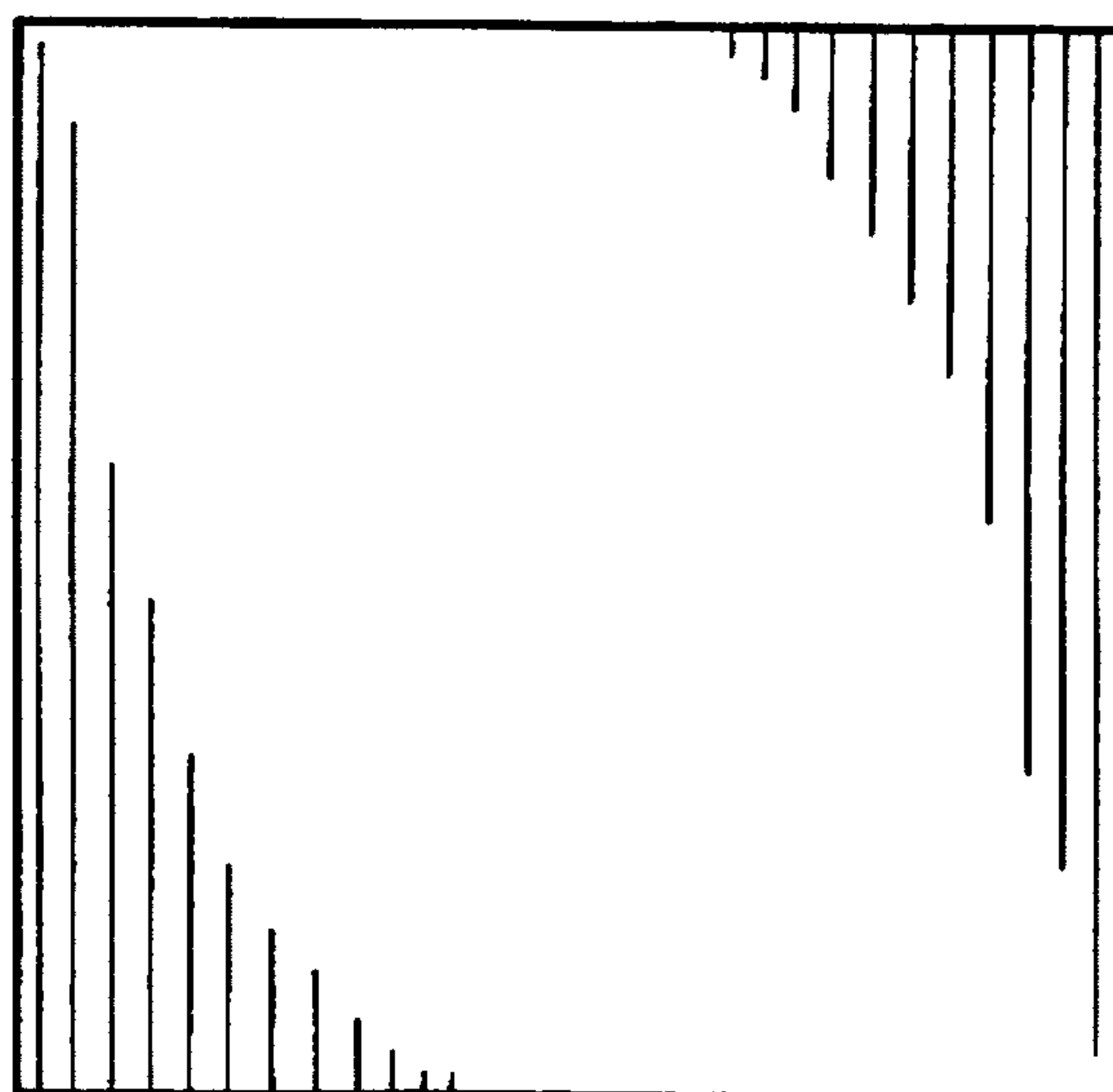
**1 Claim, 2 Drawing Sheets**



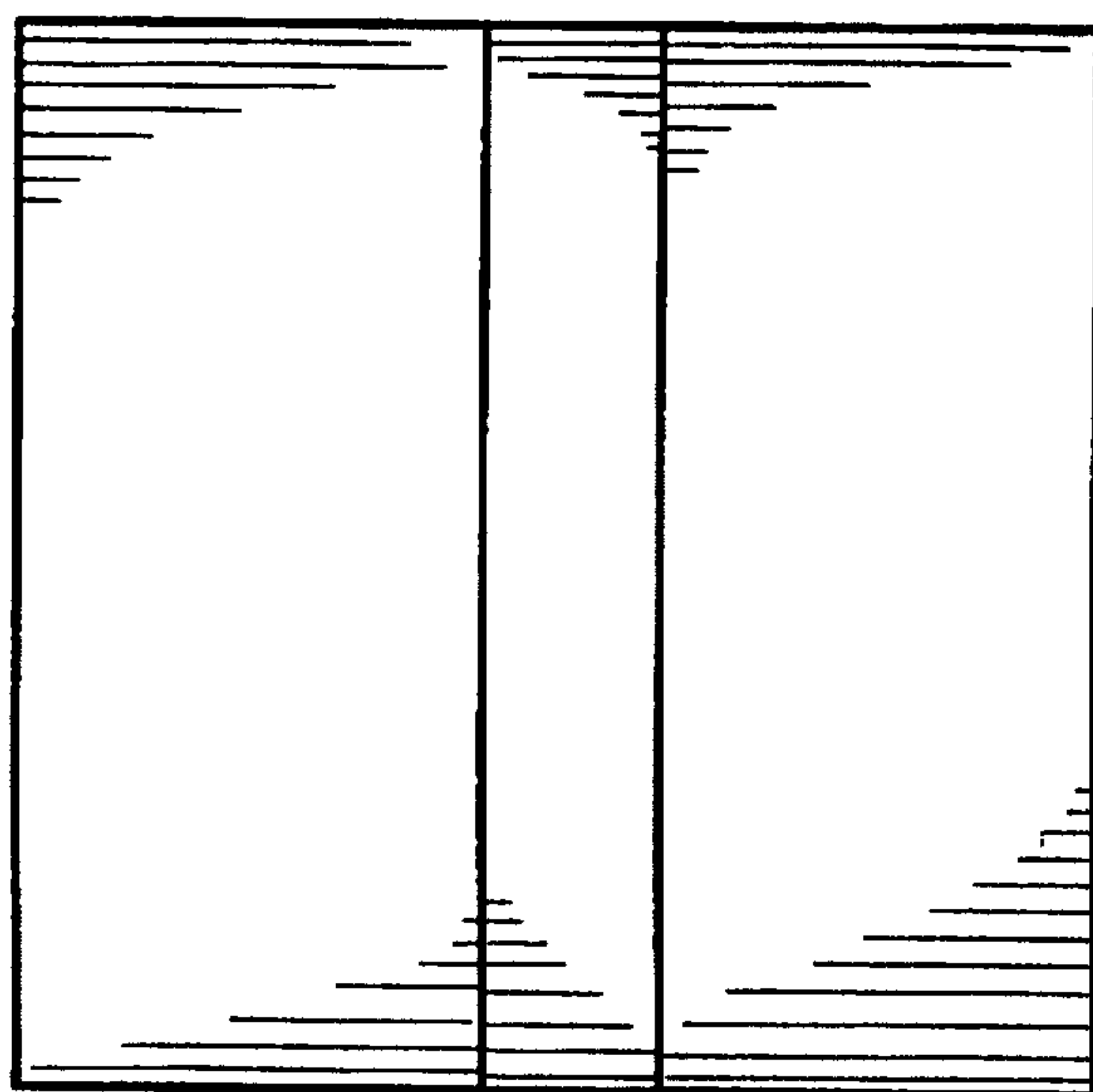
*FIG. 1*



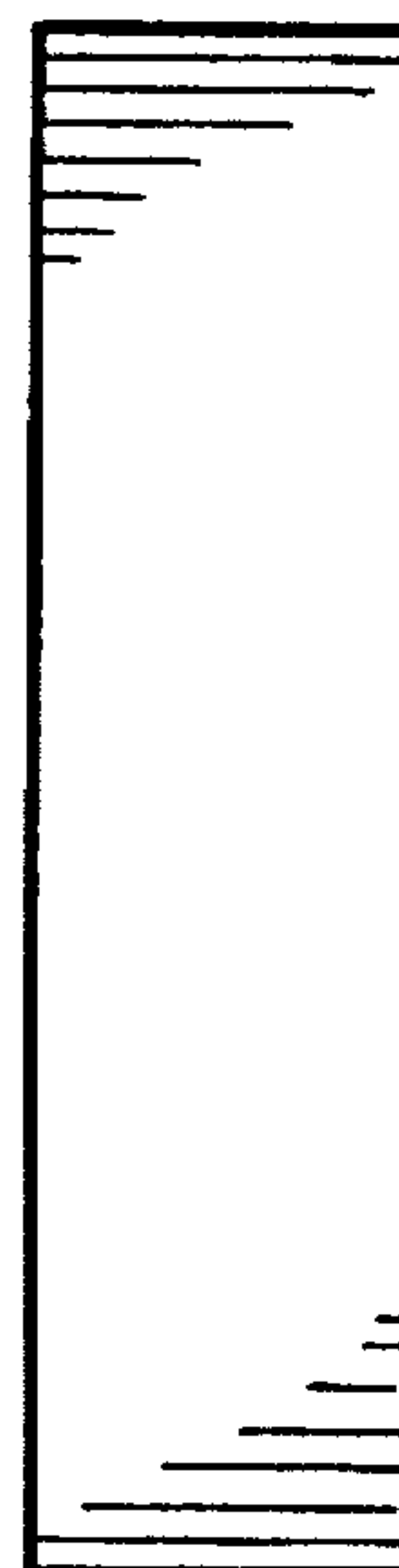
*FIG. 2*



*FIG. 3*



*FIG. 4*



*FIG. 5*

