



US00D397256S

United States Patent [19]

Moore et al.

[11] Patent Number: **Des. 397,256**

[45] Date of Patent: ****Aug. 25, 1998**

- [54] **ROBE HOOK**
- [75] Inventors: **Glenn David Moore**, Newfoundland;
Leszek Solowiej, Montville, both of
N.J.
- [73] Assignee: **Melard Manufacturing Corporation**,
Passaic, N.J.
- [**] Term: **14 Years**
- [21] Appl. No.: **68,346**
- [22] Filed: **Apr. 4, 1997**
- [51] LOC (6) Cl. **06-08**
- [52] U.S. Cl. **D6/323; D8/367**
- [58] Field of Search **D6/320, 323, 567;**
D8/367, 372; 248/304, 309.1; 211/13, 87

- D. 321,794 11/1991 Chap et al. D6/323
- D. 328,417 8/1992 Korpijaakko D6/323
- D. 330,289 10/1992 Sharpe D6/323
- 2,679,998 6/1954 Keller 248/304

Primary Examiner—B. J. Bullock
Attorney, Agent, or Firm—Edgar A. Zarins; Malcolm L. Sutherland

[57] CLAIM

The ornamental design for a robe hook, as shown and described.

DESCRIPTION

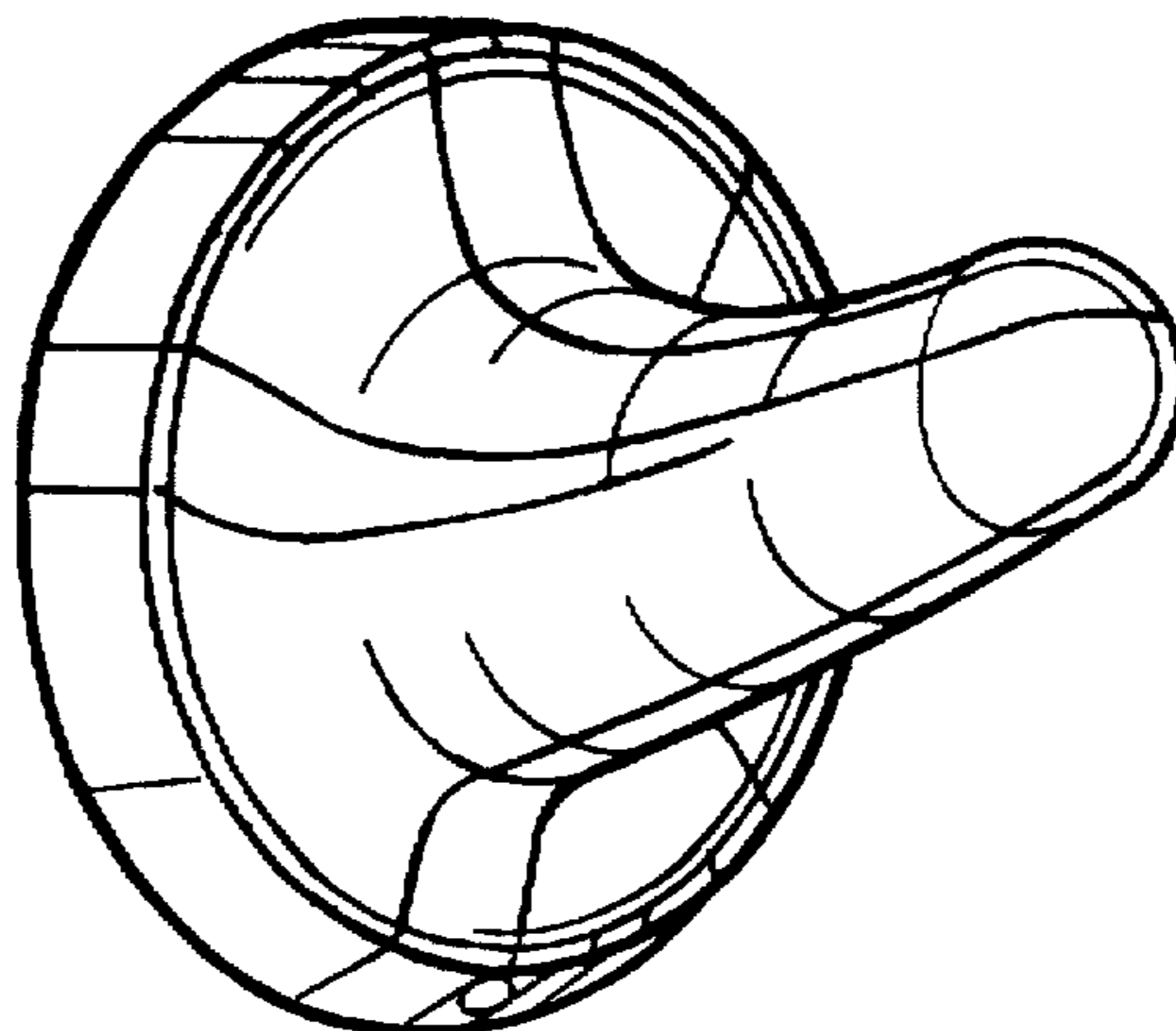
FIG. 1 is a perspective view of a robe hook showing our new design;
 FIG. 2 is a front elevational view thereof;
 FIG. 3 is a right side view thereof, the opposite side being a mirror image of the side shown;
 FIG. 4 is a top plan view thereof;
 FIG. 5 is a rear view thereof; and
 FIG. 6 is a bottom plan view thereof.

[56] References Cited

U.S. PATENT DOCUMENTS

- D. 144,010 2/1946 Van Doren D6/323
- D. 281,838 12/1985 Thompson D6/323

1 Claim, 2 Drawing Sheets



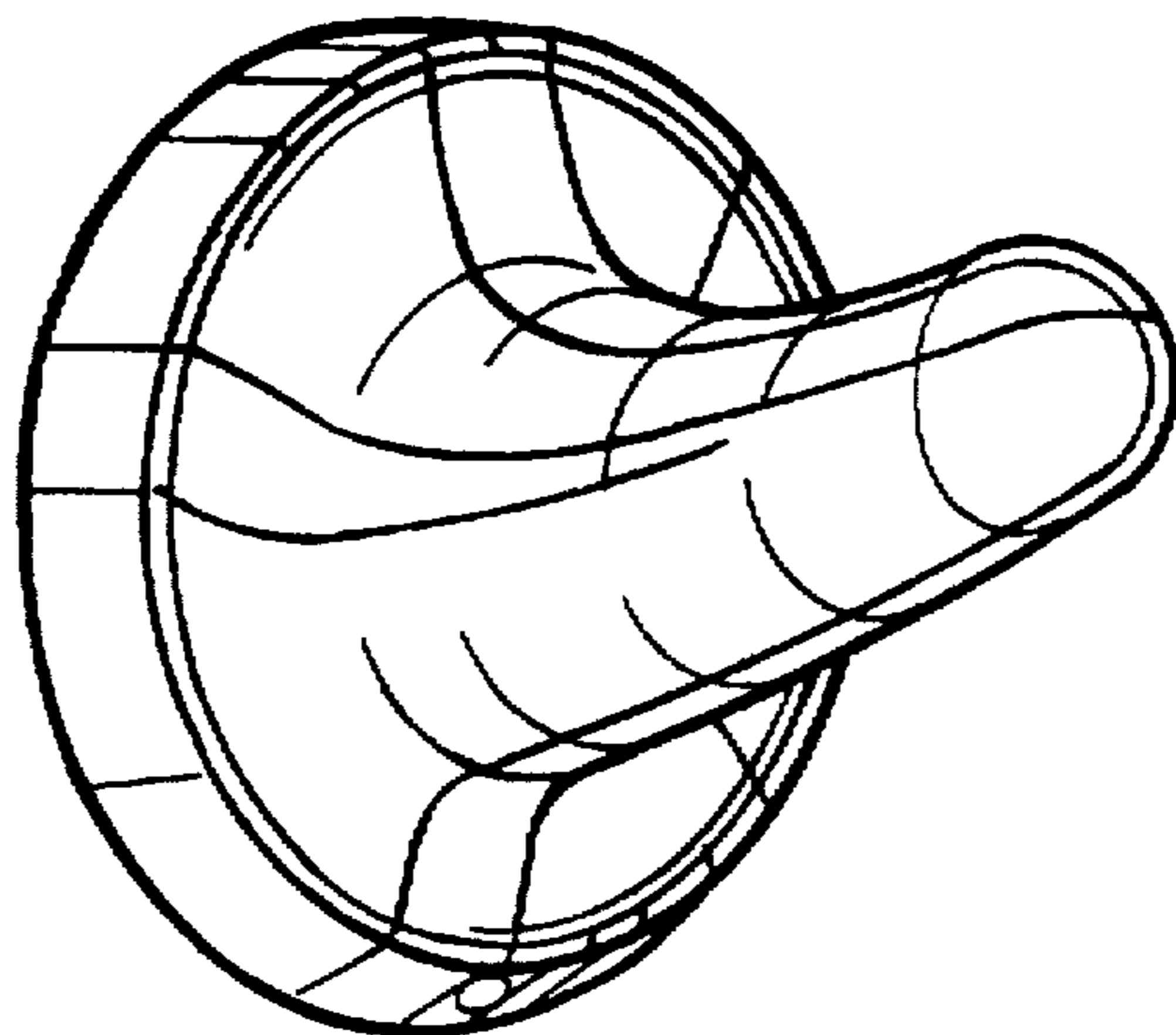


Fig-1

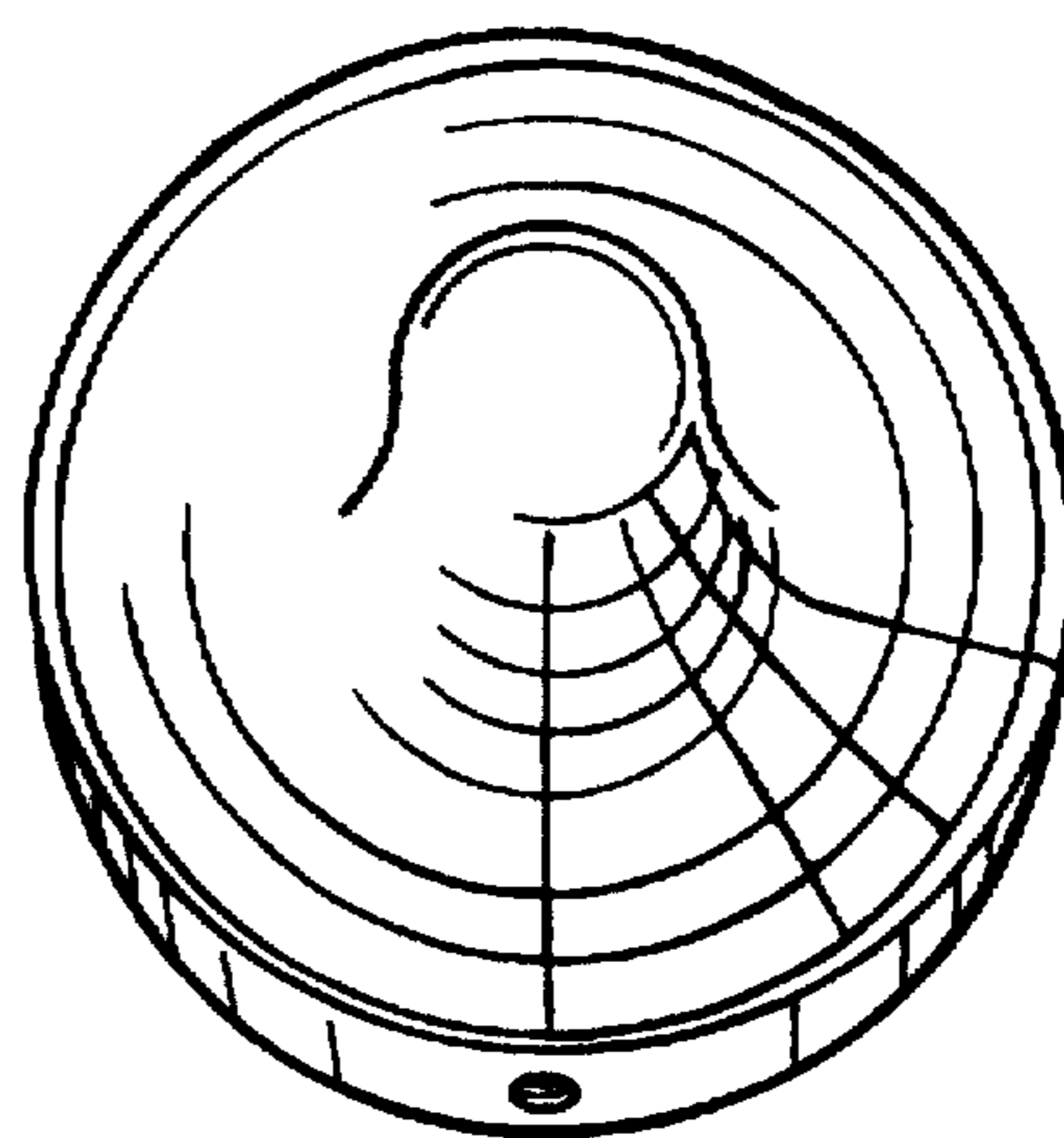


Fig-2

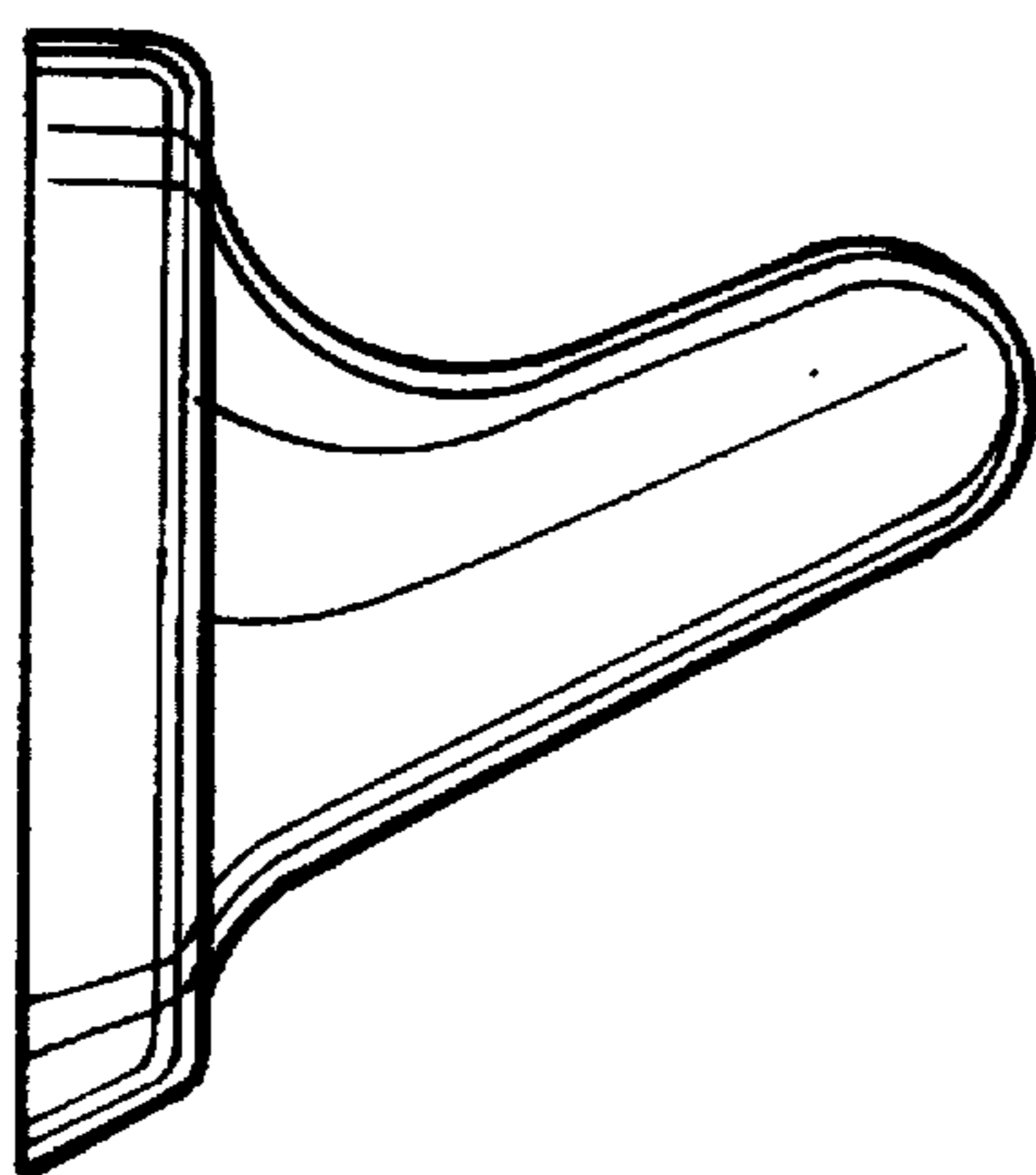


Fig-3

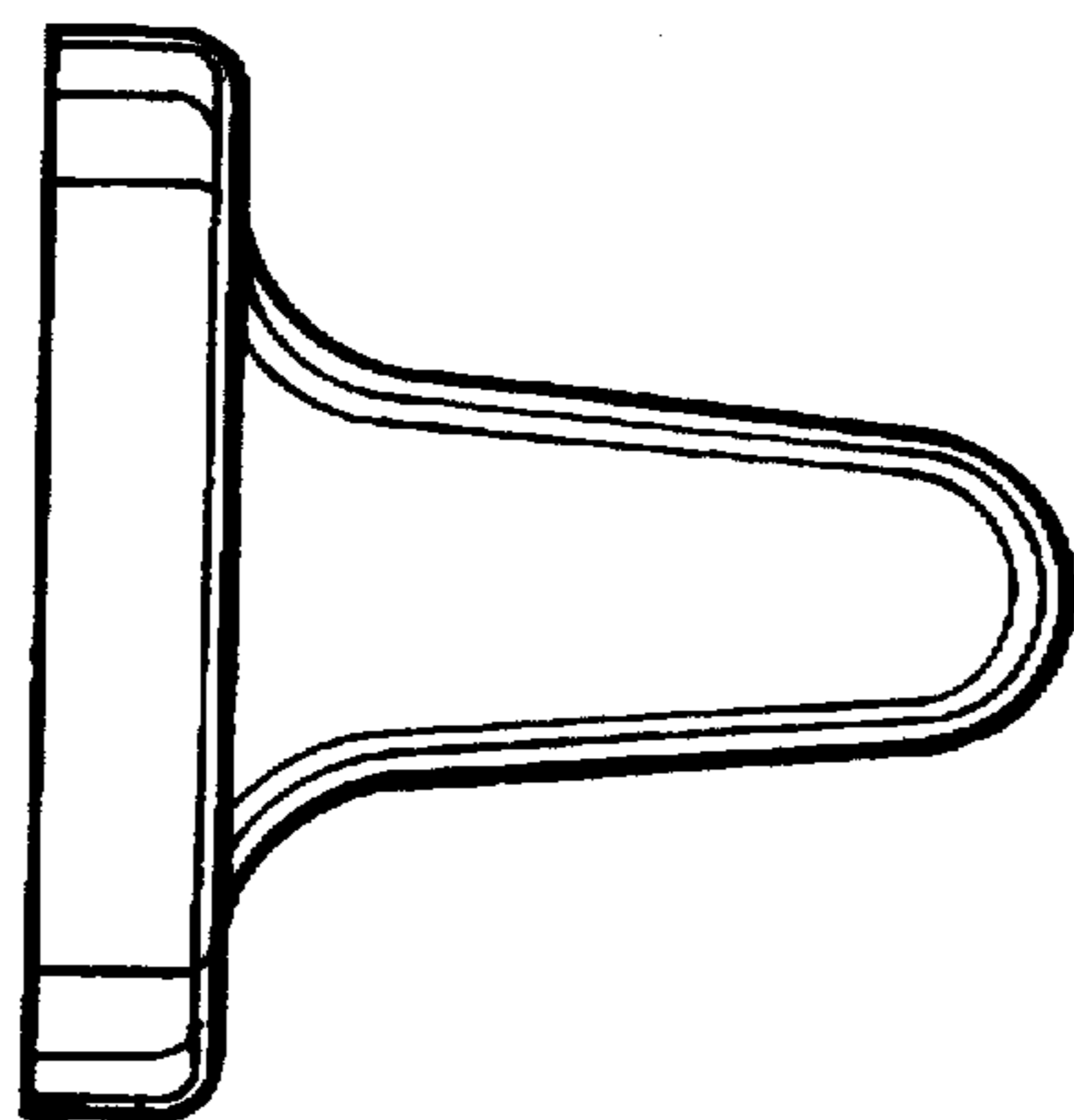


Fig-4

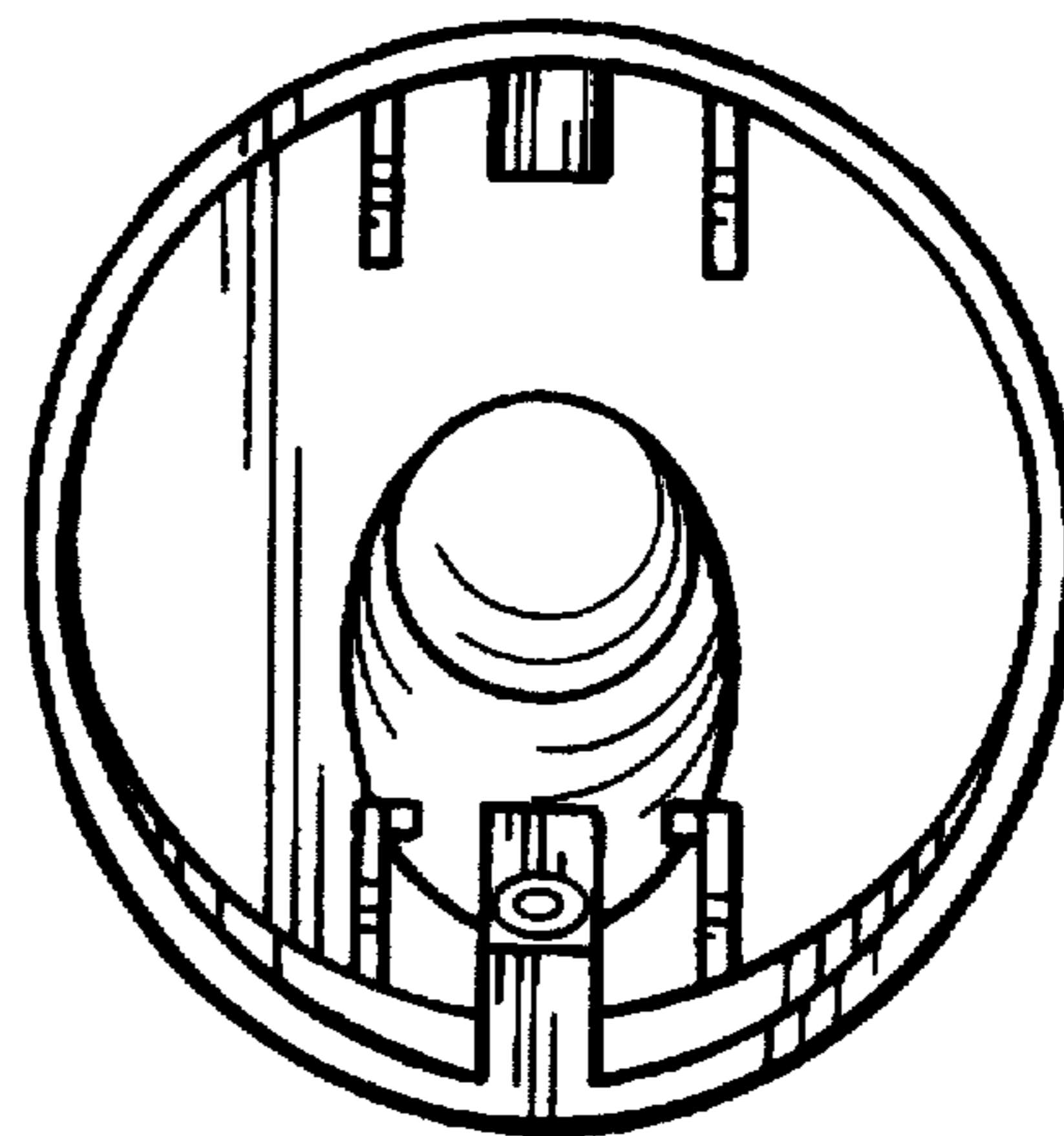


Fig-5

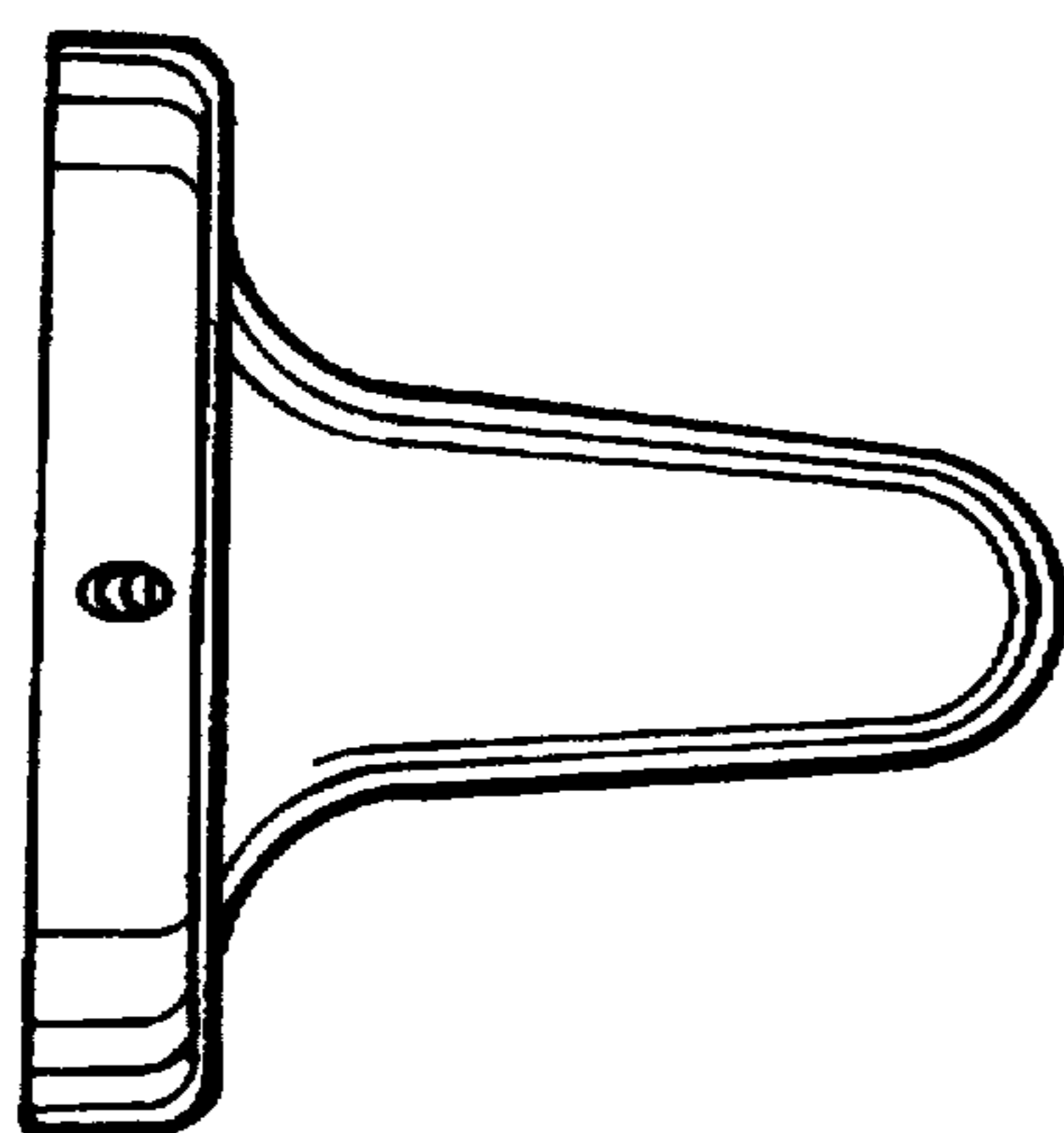


Fig-6