



US00D397250S

United States Patent [19]

Fink et al.

[11] Patent Number: **Des. 397,250**

[45] Date of Patent: ****Aug. 25, 1998**

[54] **HAND CARRIED SHOPPING BASKET**

[76] Inventors: **Stacey M. Fink; Karen L. Ketner-Fink**, both of 1901 Shadwell Way, Lawrenceville, Ga. 30243

[**] Term: **14 Years**

[21] Appl. No.: **65,467**

[22] Filed: **Jan. 22, 1997**

[51] LOC (6) Cl. **03-01**

[52] U.S. Cl. **D3/309**

[58] Field of Search D3/304, 307-314; D7/709; 220/669, 769, 770, 772, 773, 914; 206/503, 505-507

[56] **References Cited**

U.S. PATENT DOCUMENTS

D. 102,671	1/1937	Worthington	D3/307
D. 141,398	5/1945	Livesay	D3/309
D. 155,392	10/1949	Danielson	D3/309
D. 283,966	5/1986	Carlson	D7/709
D. 326,552	5/1992	Goodell	
D. 346,936	5/1994	Picozza et al.	D7/709
D. 358,484	5/1995	Cautereels et al.	D3/310

2,844,279	11/1958	Kovach	..
3,039,651	11/1962	Lang	..
4,266,668	5/1981	Paek	..
4,720,020	1/1988	Su	..
4,941,586	7/1990	Tama	..
5,310,079	5/1994	Sandy et al.	..

Primary Examiner—Sandra L. Morris
Assistant Examiner—Richelle Shelton
Attorney, Agent, or Firm—Hinkle & Associates, P.C.

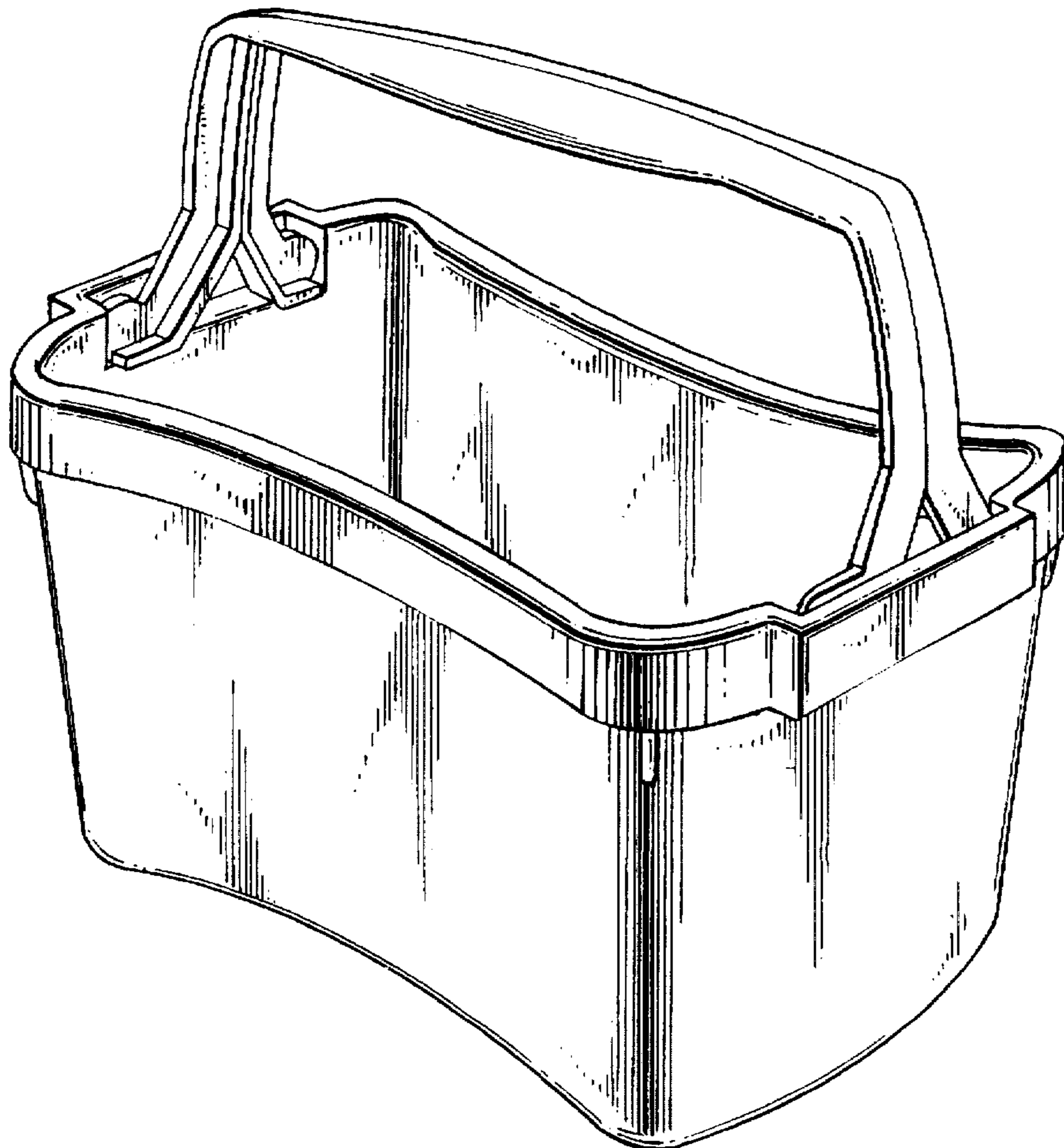
[57] **CLAIM**

The ornamental design for a hand carried shopping basket, as shown and described.

DESCRIPTION

FIG. 1 is a perspective view of a hand carried shopping basket showing our new design; FIG. 2 is a top plan view thereof; FIG. 3 is a front elevational view thereof, the opposite side being a mirror image; FIG. 4 is a bottom plan view thereof; and, FIG. 5 is a side elevational view thereof, the opposite side being a mirror image.

1 Claim, 3 Drawing Sheets



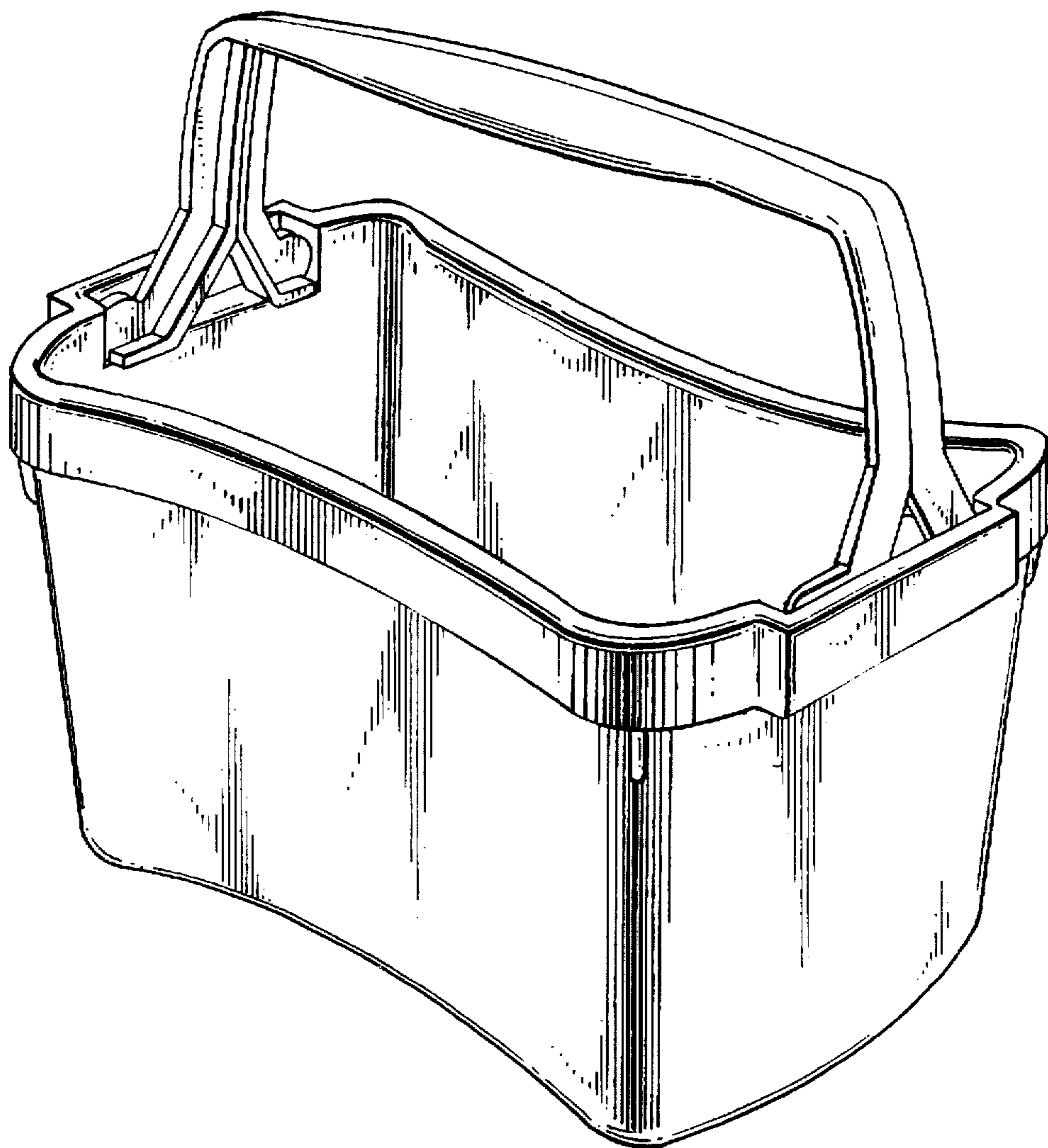


FIG. 1

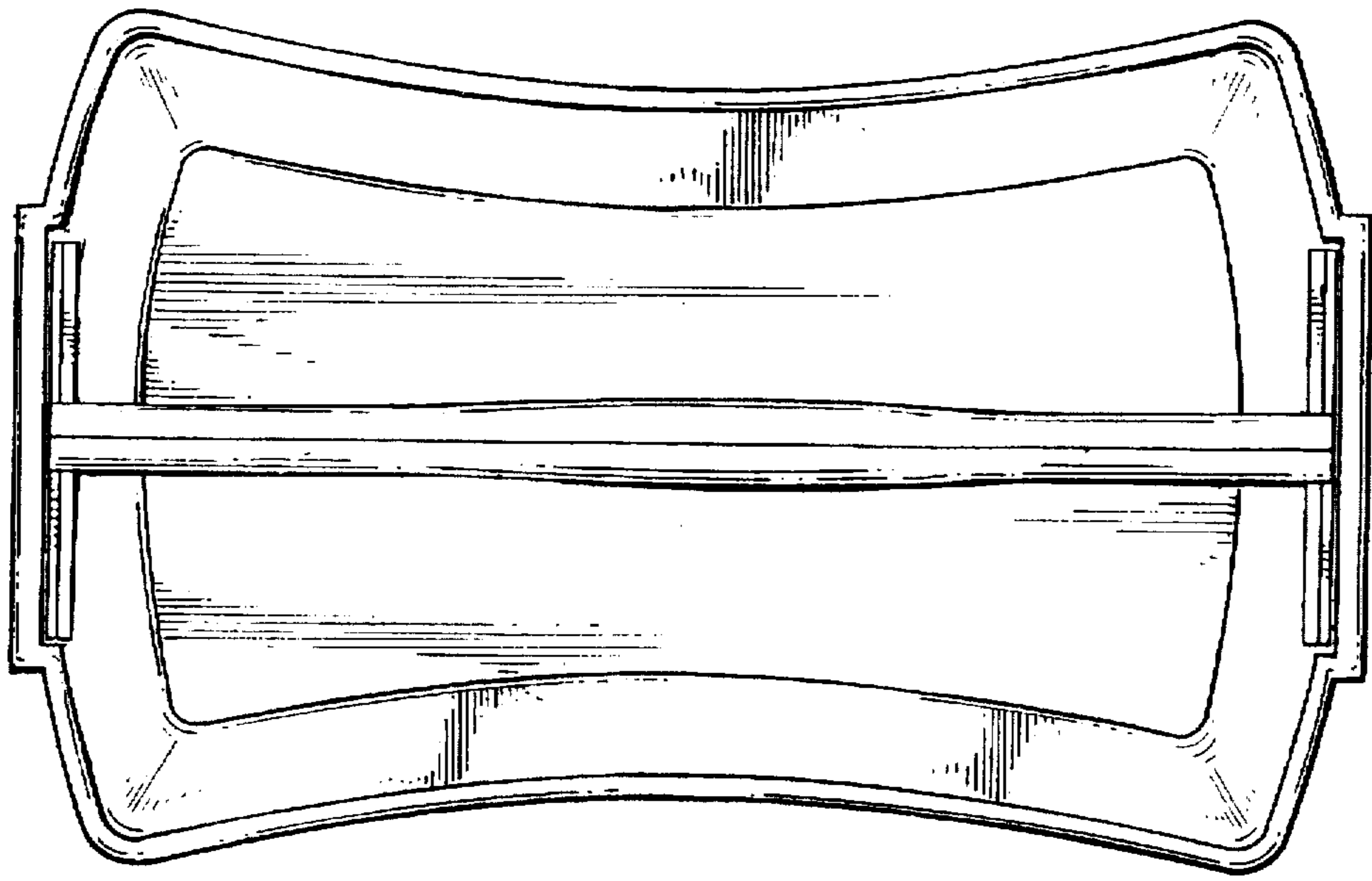
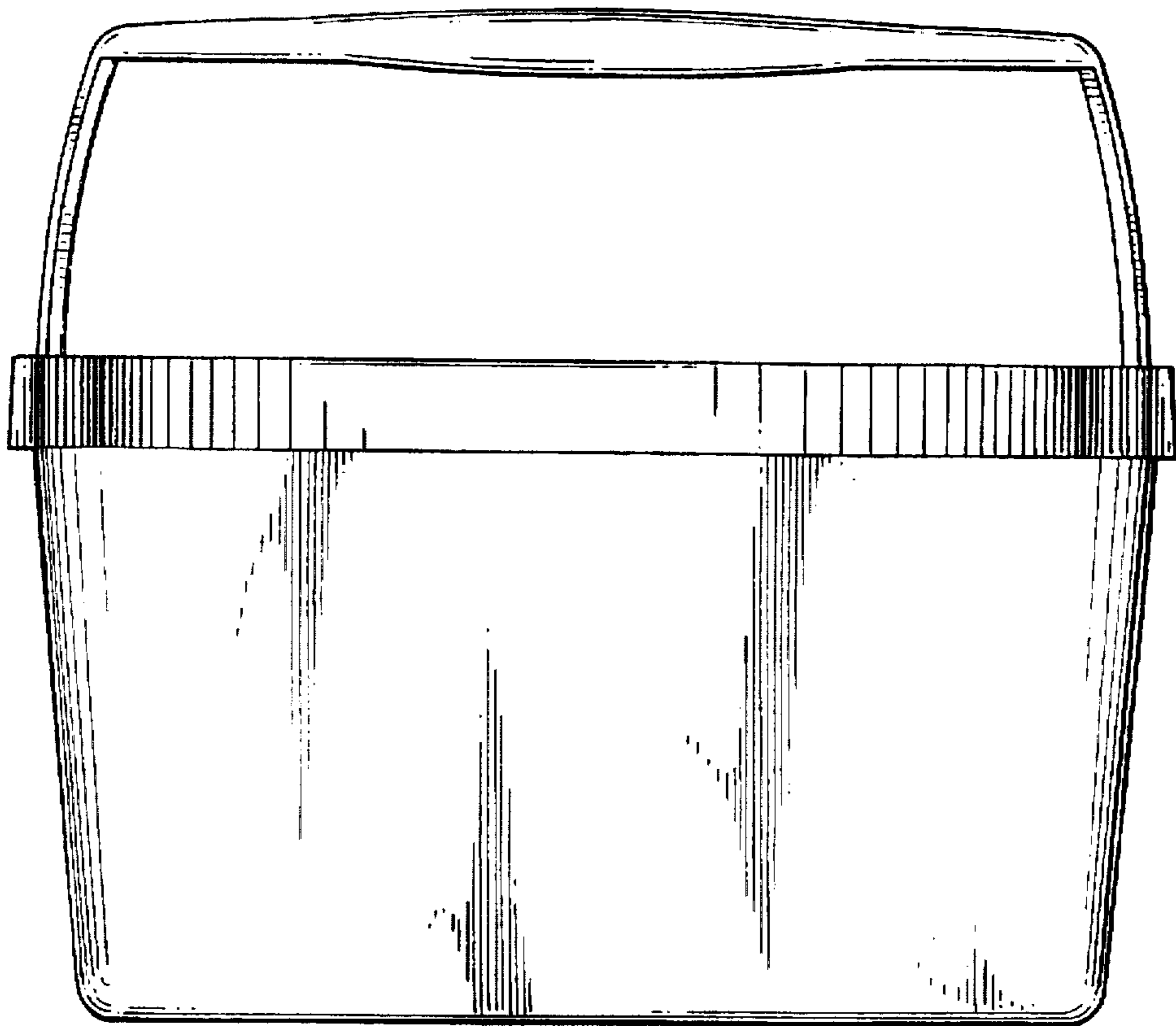


Fig. 2

Fig. 3



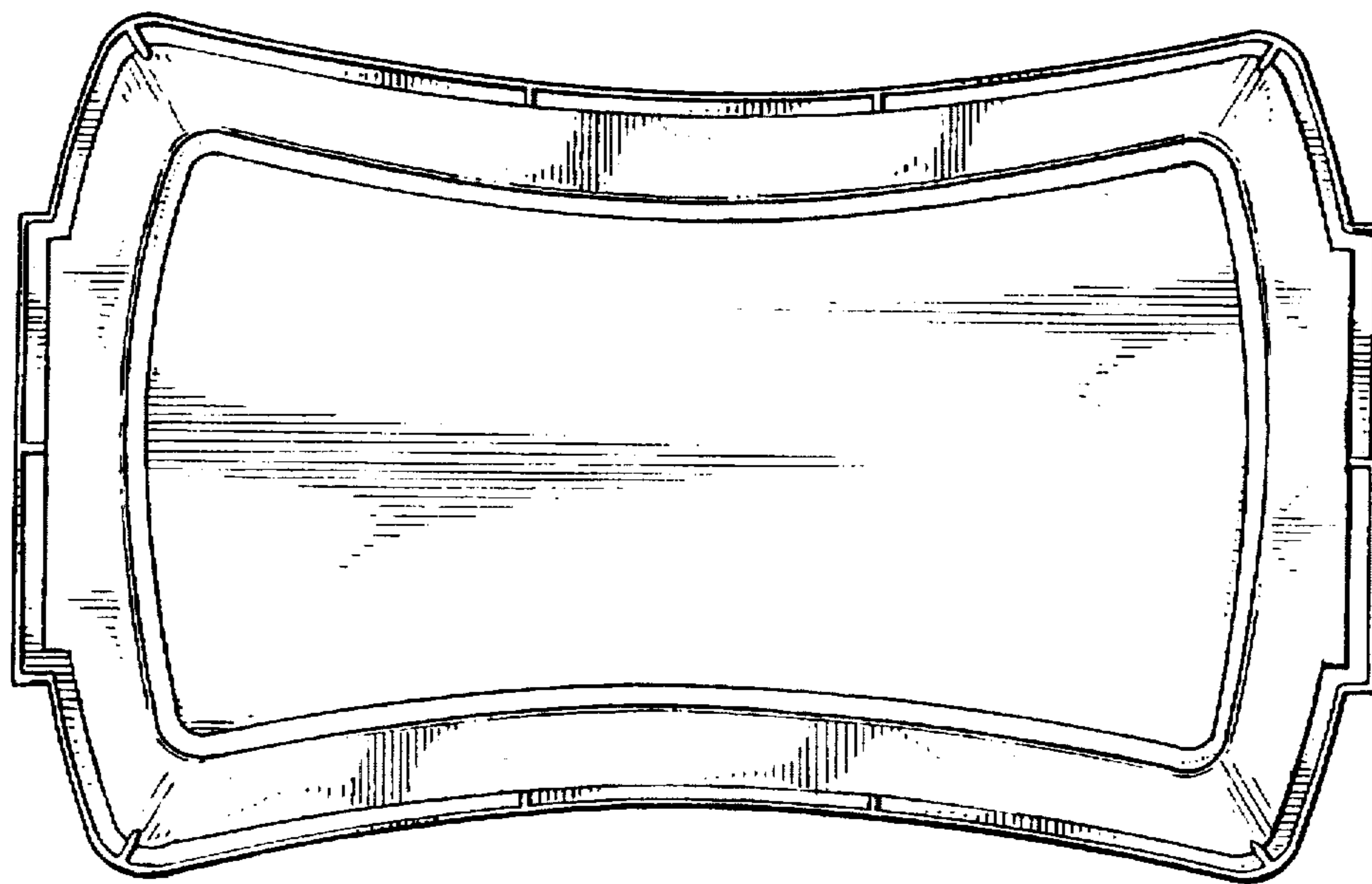


Fig. 4

Fig. 5

