



US00D397249S

United States Patent [19]

Akutsu

[11] Patent Number: **Des. 397,249**

[45] Date of Patent: ****Aug. 25, 1998**

[54] **PORTABLE CASE**

[76] Inventor: **Akira Akutsu**, Itabashi 1-36-4,
Itabashi-ku Tokyo 173, Japan

[**] Term: **14 Years**

[21] Appl. No.: **68,575**

[22] Filed: **Mar. 24, 1997**

[30] Foreign Application Priority Data

Nov. 26, 1996 [JP] Japan 8-35631

[51] LOC (6) Cl. **03-01**

[52] U.S. Cl. **D3/290; D12/409**

[58] Field of Search **D3/290, 294; D12/409;**
224/412, 417, 420

[56] References Cited

U.S. PATENT DOCUMENTS

D. 31,901	11/1899	Deem	D3/905
D. 278,225	4/1985	Heiman et al.	D12/409
3,995,728	12/1976	Jackson et al.	224/417
4,066,196	1/1978	Jackson et al.	224/417
4,852,778	8/1989	Beiser et al.	224/417

OTHER PUBLICATIONS

Harley Davidson Catalog, pp. 140 and 141, Handle bar and Saddle Bags. 1995.

Primary Examiner—Philip S. Hyder

Attorney, Agent, or Firm—Howson & Howson

[57] CLAIM

The ornamental design for a portable case, as shown and described.

DESCRIPTION

FIG. 1 is a front elevational view of a portable case, showing my new design;

FIG. 2 is a top plan view thereof;

FIG. 3 is a bottom plan view thereof;

FIG. 4 is a rear elevational view thereof;

FIG. 5 is a left side elevational view thereof;

FIG. 6 is an exploded perspective view thereof;

FIG. 7 is a perspective view thereof, showing the portable case in its opened condition; and,

FIG. 8 is a perspective view thereof, wherein the broken line showing of the motorcycle structure is for illustrative purposes only and forms no part of the claimed design.

The right side view of the portable case is a mirror image of the left side elevational view.

1 Claim, 6 Drawing Sheets

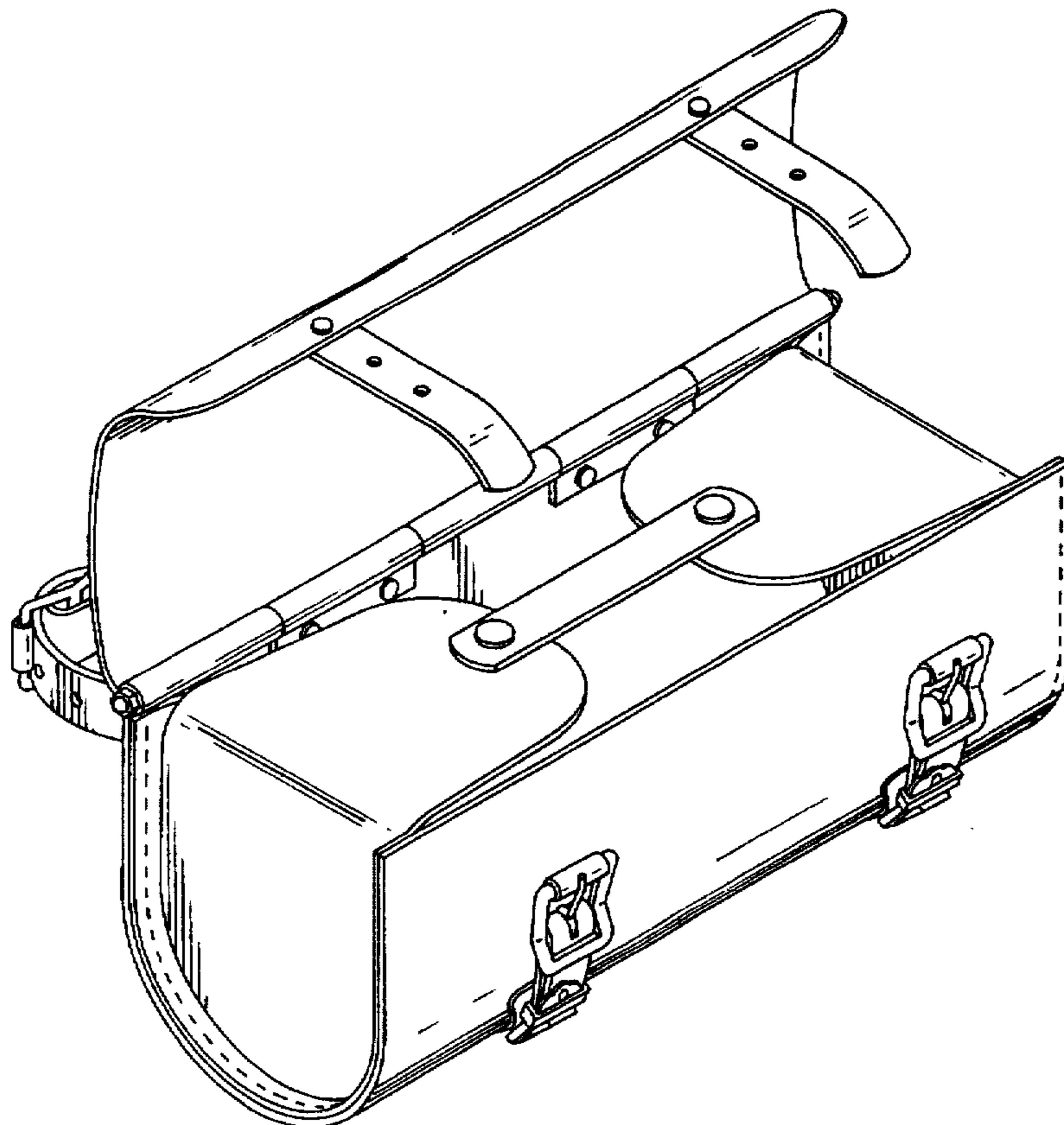


FIG. 2

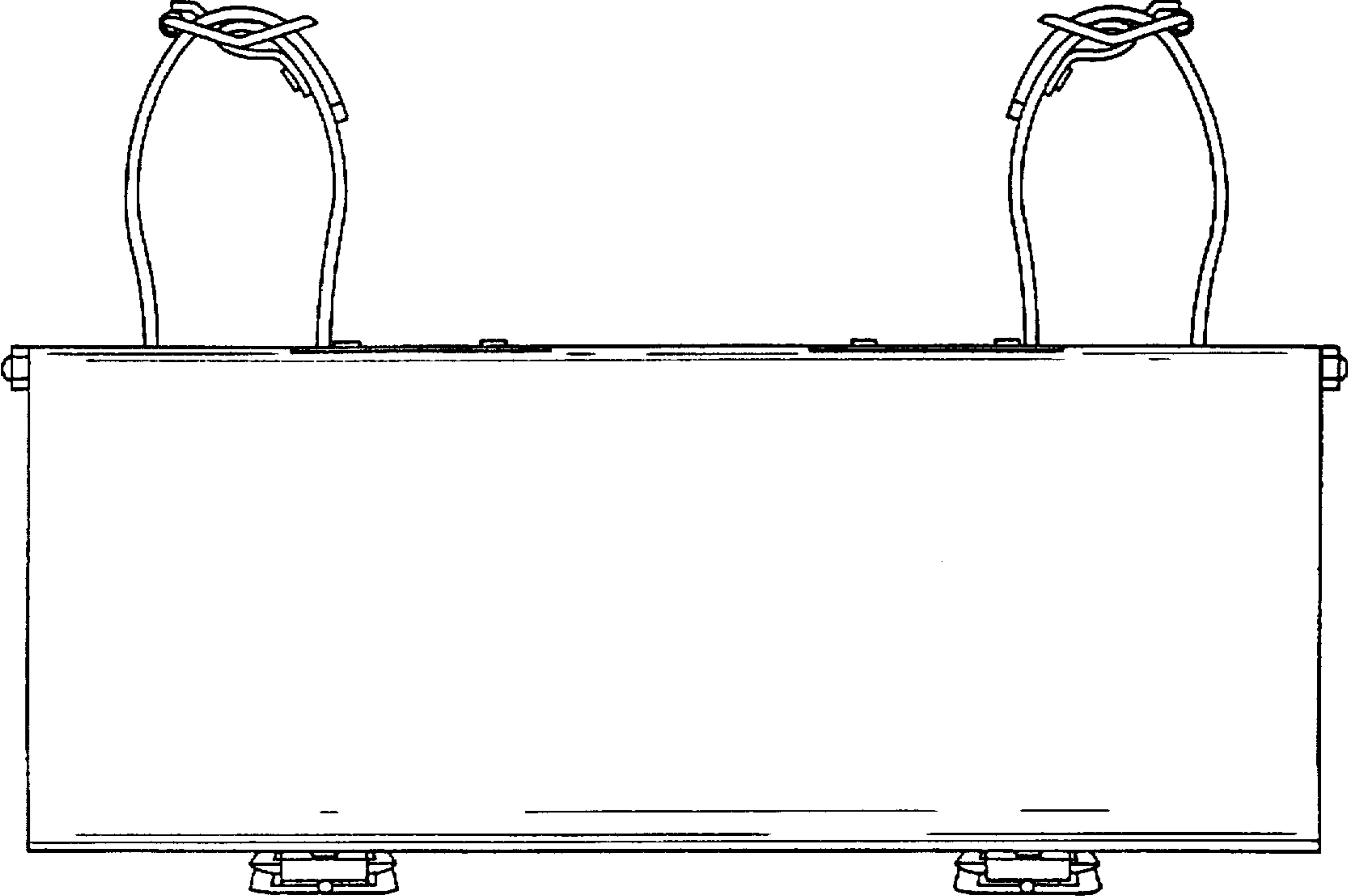


FIG. 1

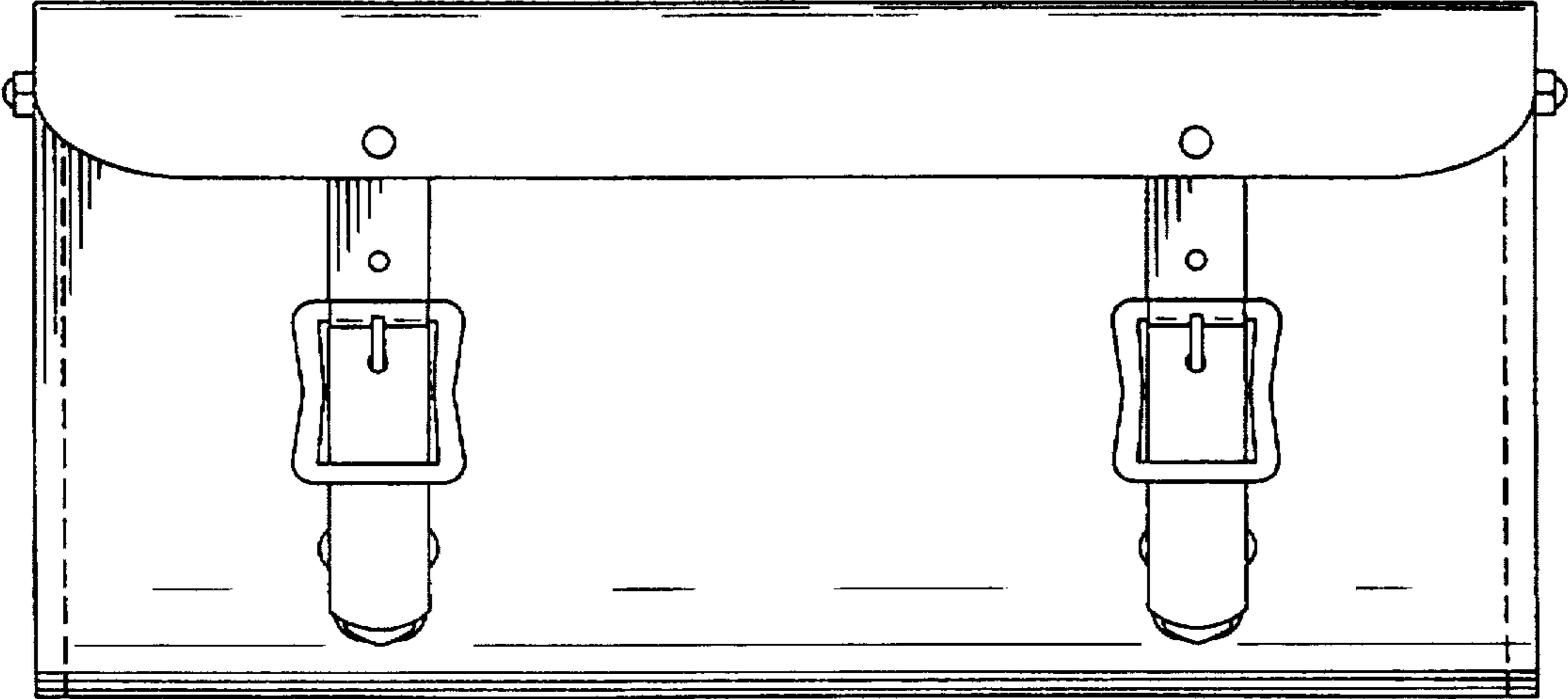


FIG. 3

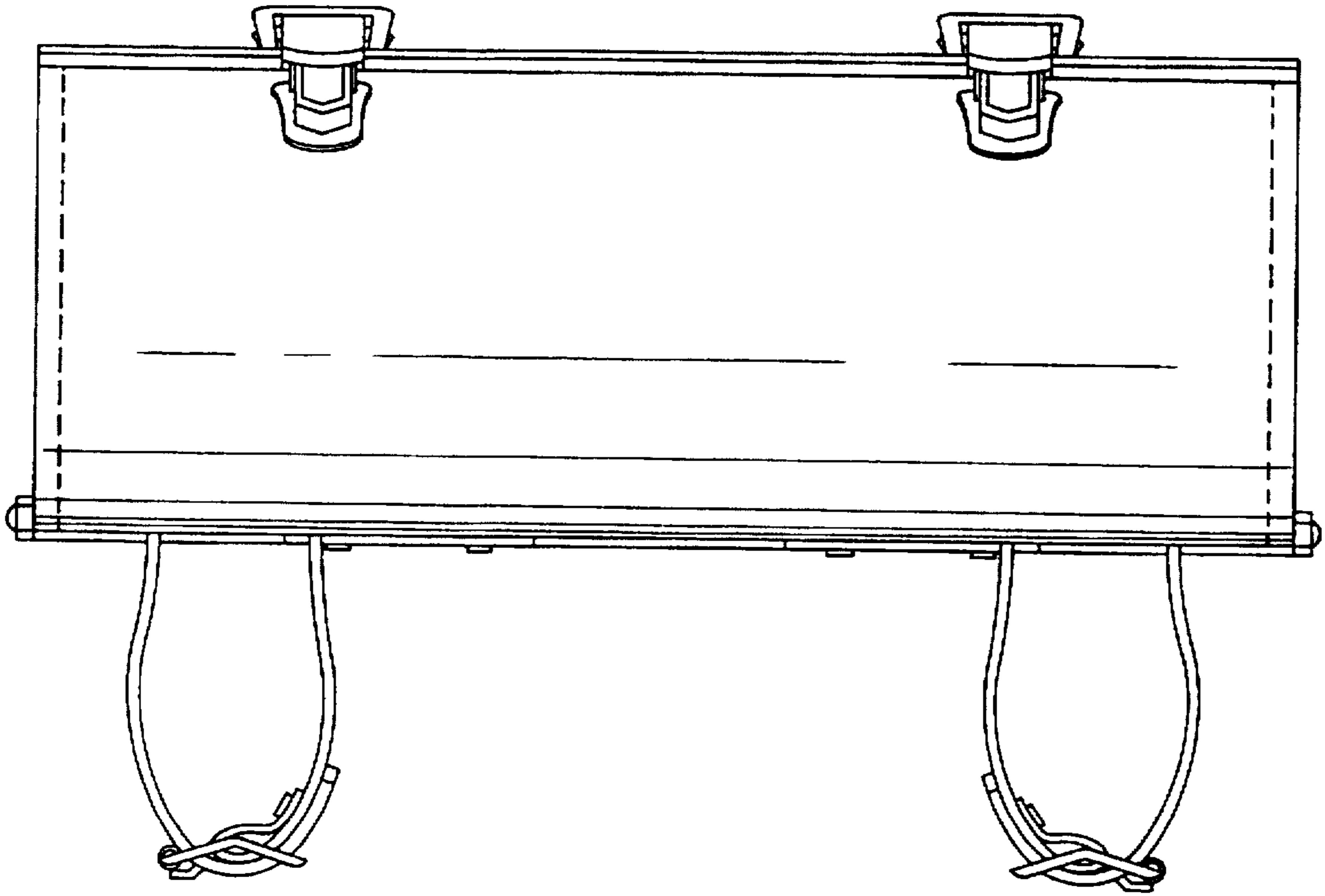


FIG. 4

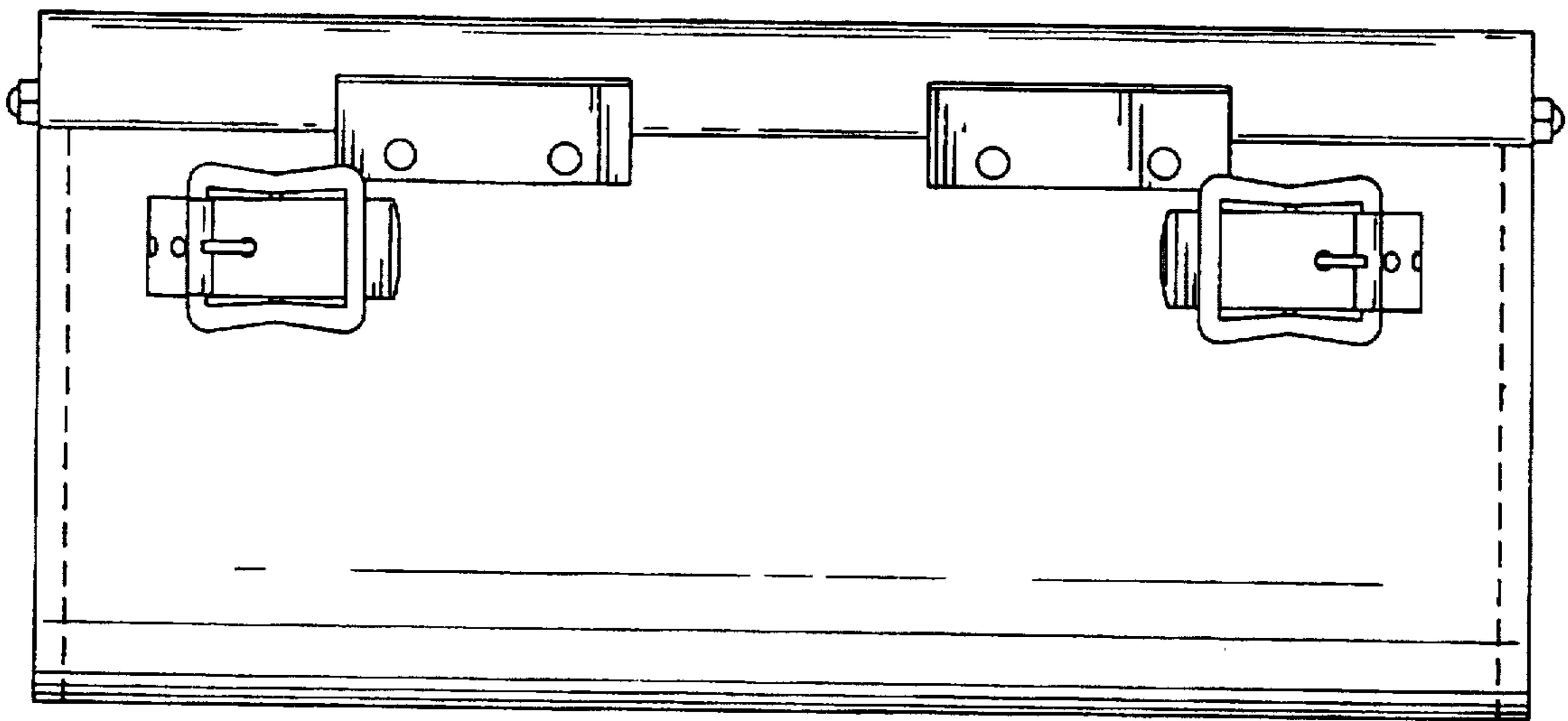


FIG. 5

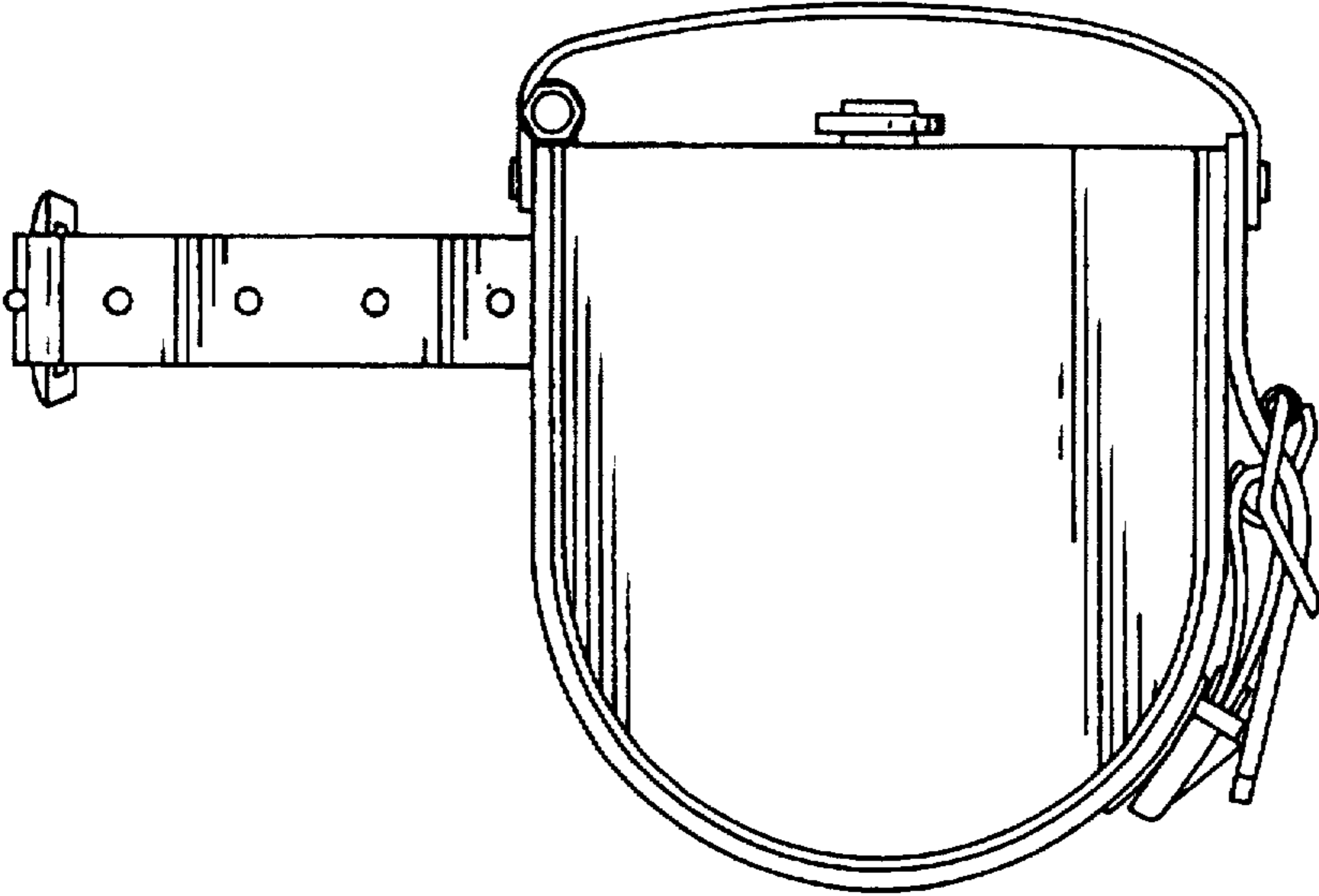


FIG. 6

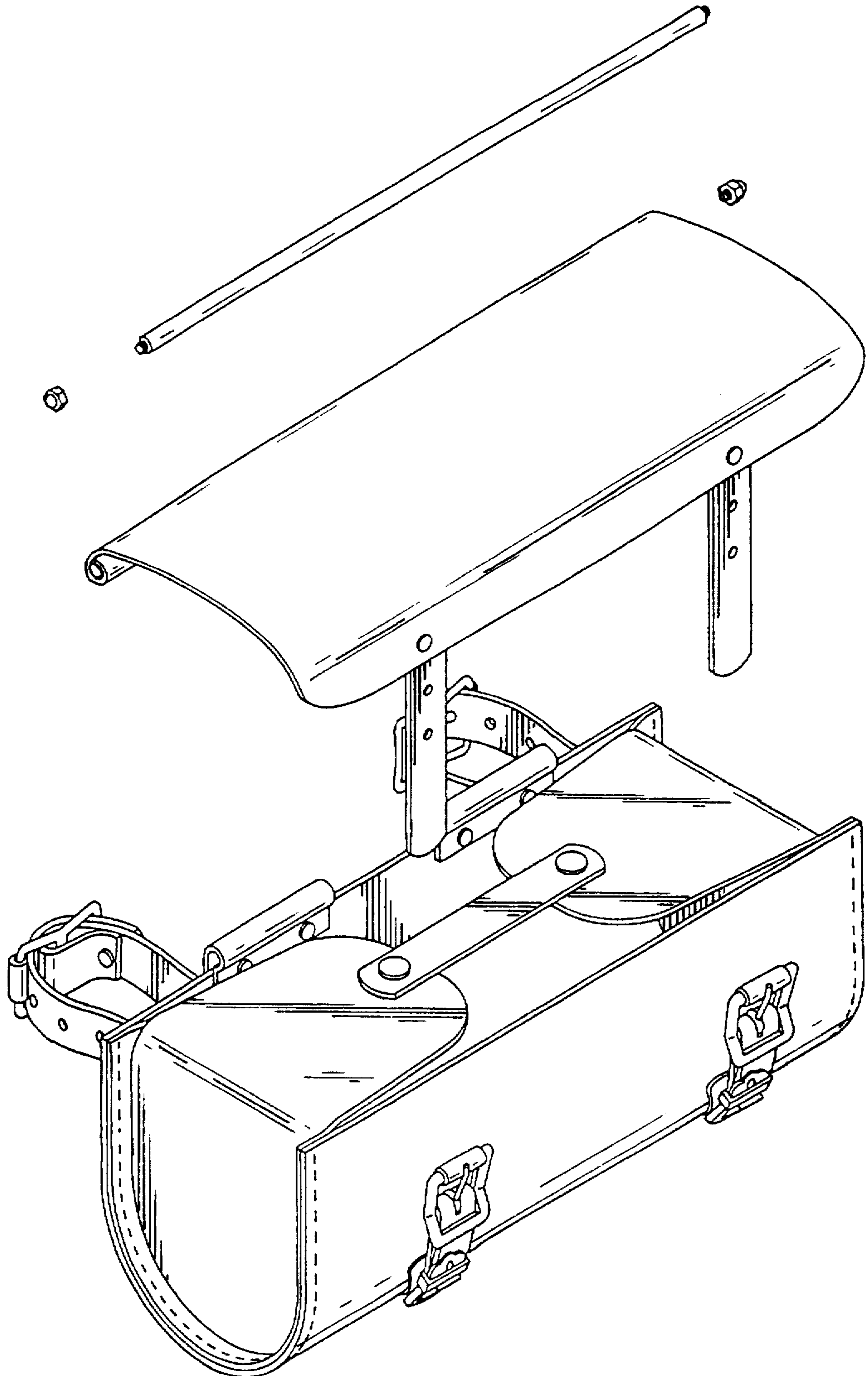


FIG. 7

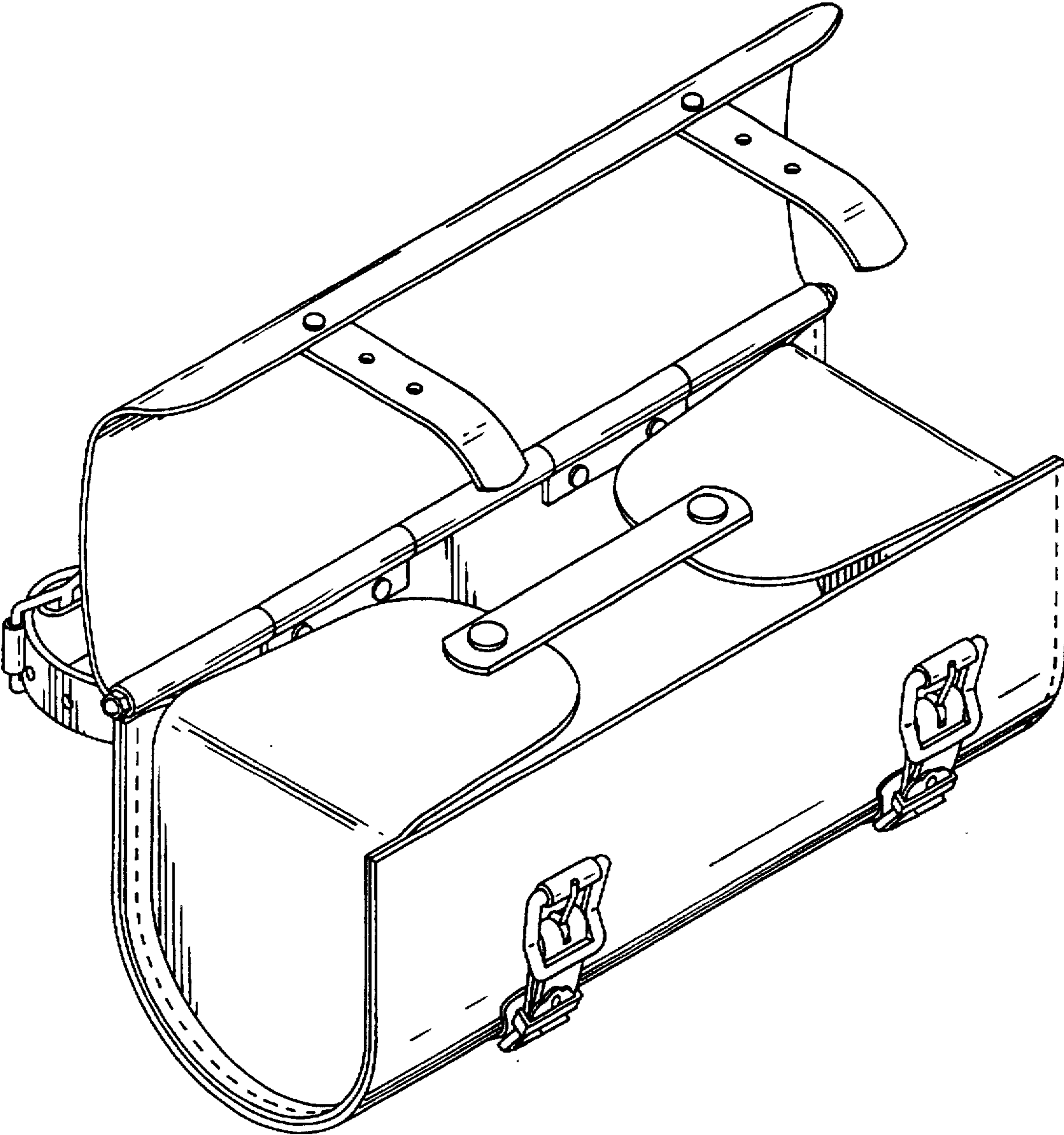


FIG. 8

