



US00D397248S

United States Patent [19]

[11] Patent Number: **Des. 397,248**

McGrath, Jr.

[45] Date of Patent: ****Aug. 25, 1998**

[54] TOWEL CLIP

5,230,117 7/1993 Johnson et al. 24/3.11
5,318,292 6/1994 DeMarco 224/932 X
5,553,345 9/1996 Bell .

[76] Inventor: **Terence J. McGrath, Jr.**, 193
Hulsetown Rd., Chester, N.Y. 10918

[**] Term: **14 Years**

Primary Examiner—Doris V. Coles
Assistant Examiner—Catherine R. Oliver
Attorney, Agent, or Firm—Darby & Darby

[21] Appl. No.: **68,830**

[57] **CLAIM**

[22] Filed: **Feb. 24, 1997**

The ornamental design for a towel clip, as shown and described.

[51] LOC (6) Cl. **03-01**

[52] U.S. Cl. **D3/215**

[58] Field of Search D3/215, 221, 259,
D3/320, 254, 255; 224/932, 269, 255, 668,
669; 24/3.1, 3.11, 3.12, 3.2, 510, 511; D8/349,
353, 370, 371, 394

DESCRIPTION

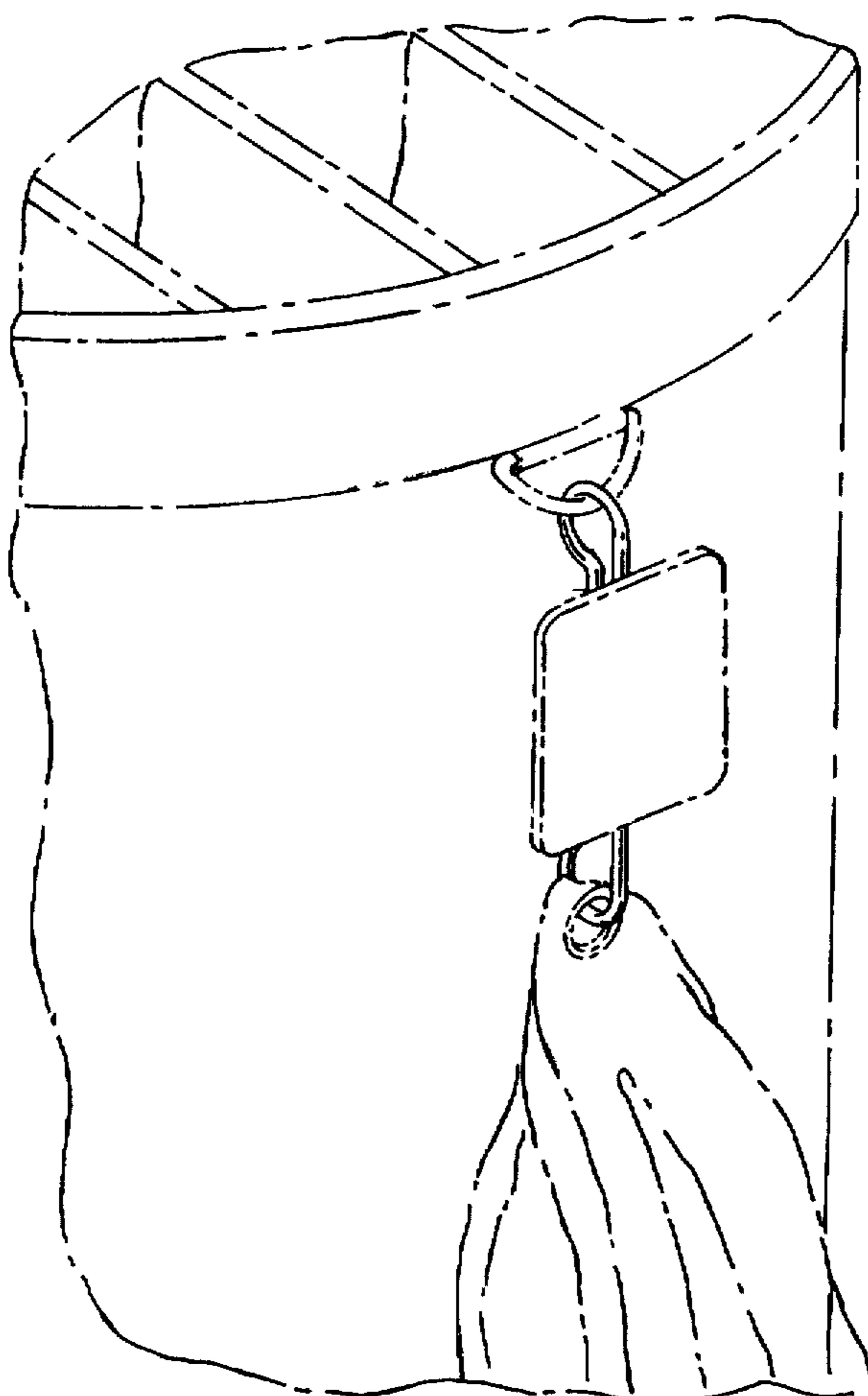
FIG. 1 is a perspective view of a towel clip showing my new design in use;
FIG. 2 is a front perspective view thereof;
FIG. 3 is a rear perspective view thereof;
FIG. 4 is a side view, the opposite side view being a mirror image thereof;
FIG. 5 is a top plan view thereof;
FIG. 6 is a front elevational view thereof; and
FIG. 7 is a rear elevational view.
The broken line showing of environment in FIGS. 1-7 is for illustrative purposes only and forms no part of the claimed design.

[56] **References Cited**

U.S. PATENT DOCUMENTS

| | | | | |
|------------|--------|---------|-------|-----------|
| D. 35,612 | 1/1902 | Dietz | | D8/370 X |
| D. 245,728 | 9/1977 | Rials | | D3/215 |
| 597,636 | 1/1898 | Davis | | 24/3.1 X |
| 3,266,111 | 8/1966 | Abel | | D8/370 X |
| 3,755,858 | 9/1973 | McPhaul | | 224/932 X |
| 3,760,461 | 9/1973 | Wright | | 224/932 X |
| 4,957,232 | 9/1990 | Sprague | | D3/320 X |

1 Claim, 3 Drawing Sheets



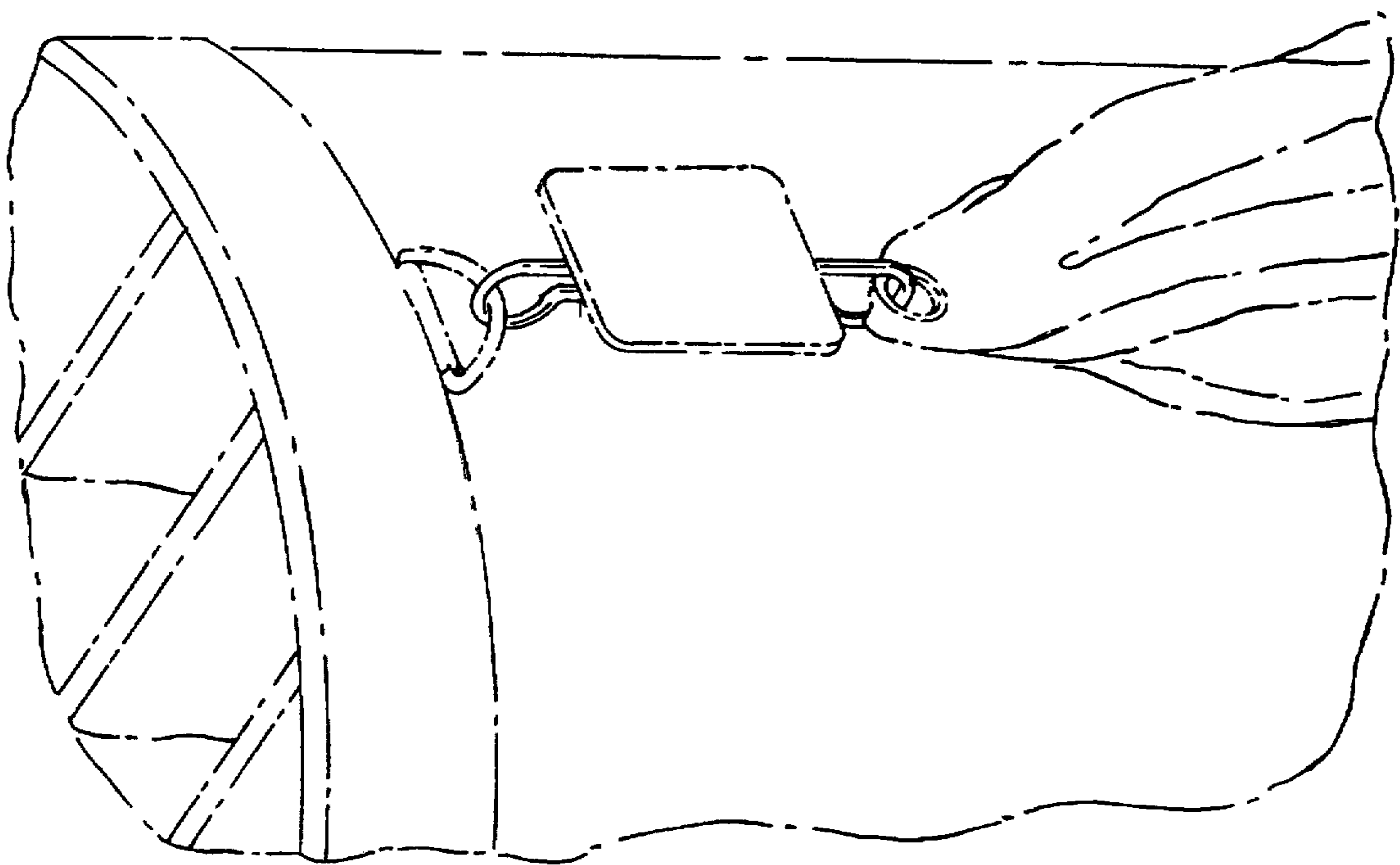


Fig. 1

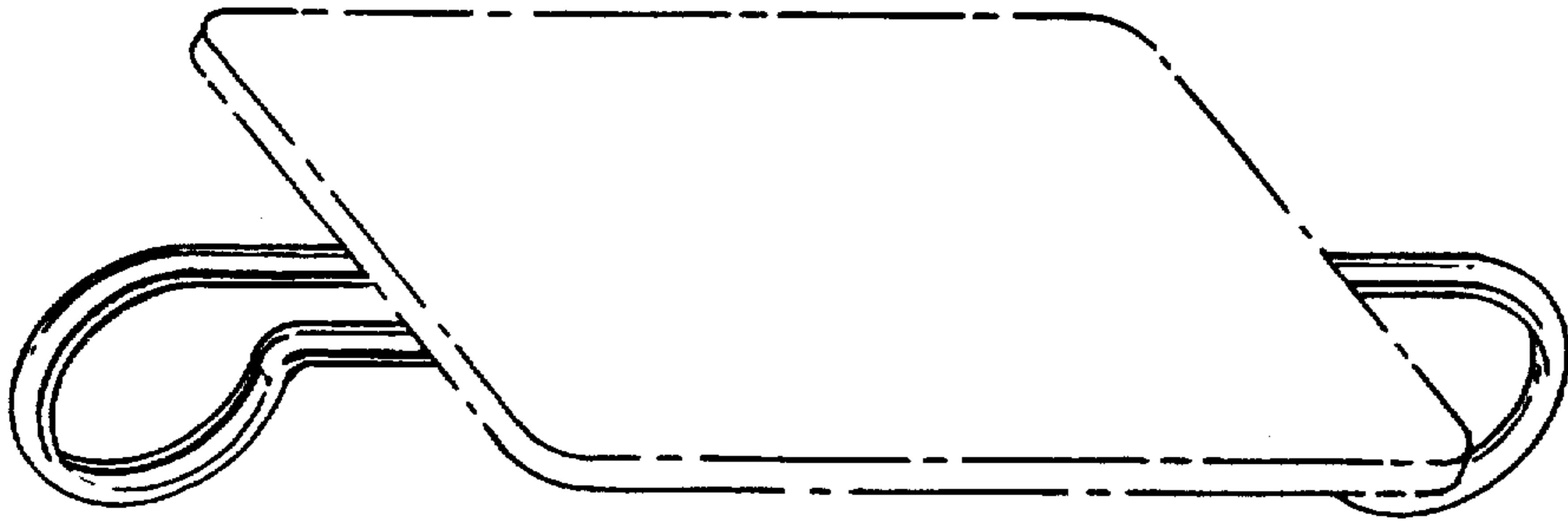


Fig. 2

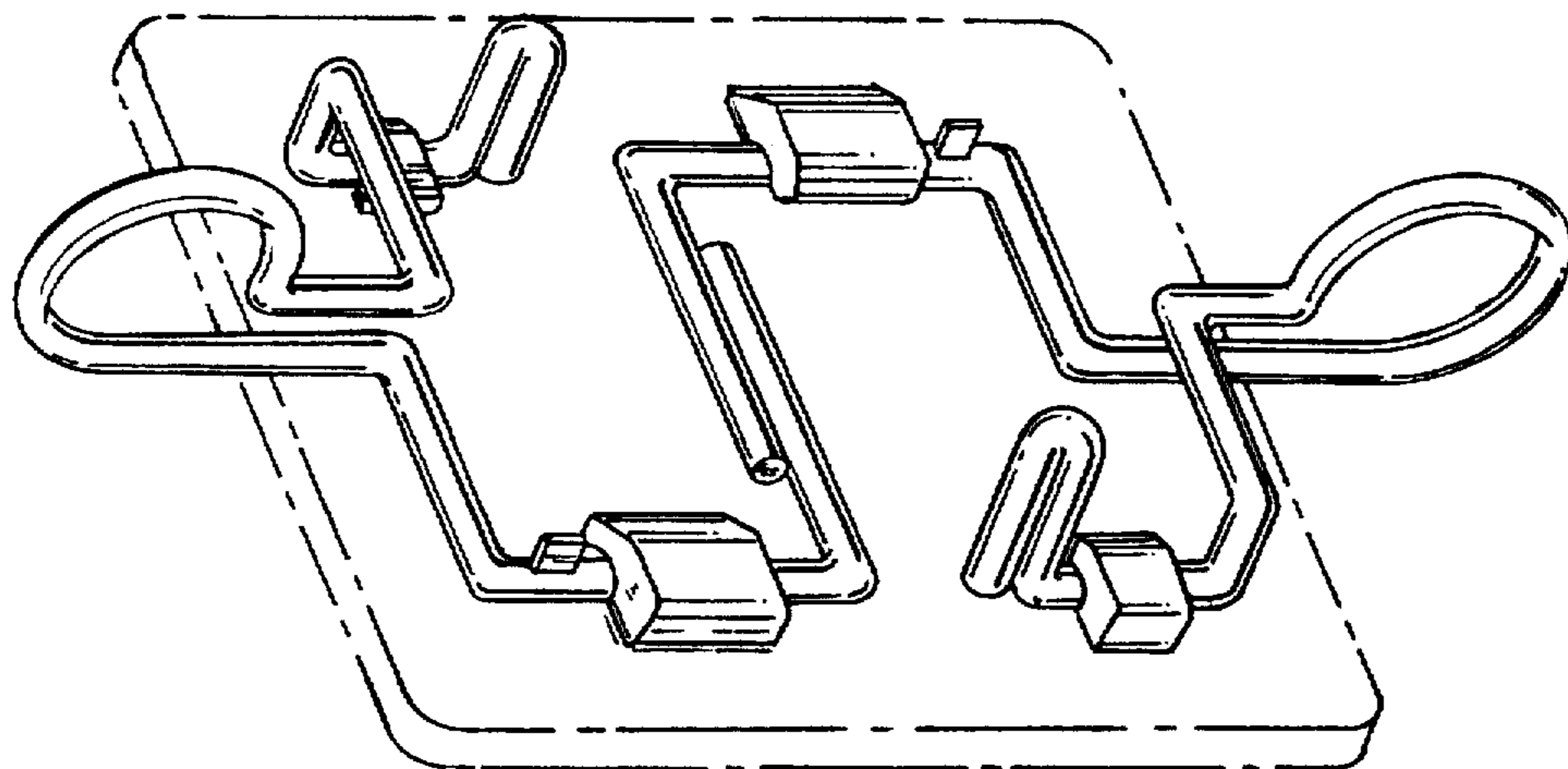


Fig. 3

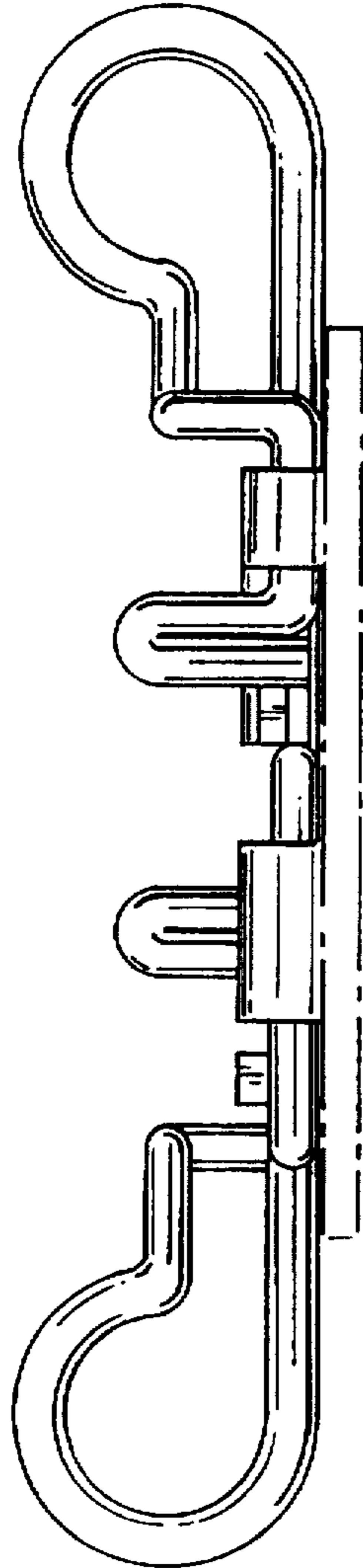


Fig. 4

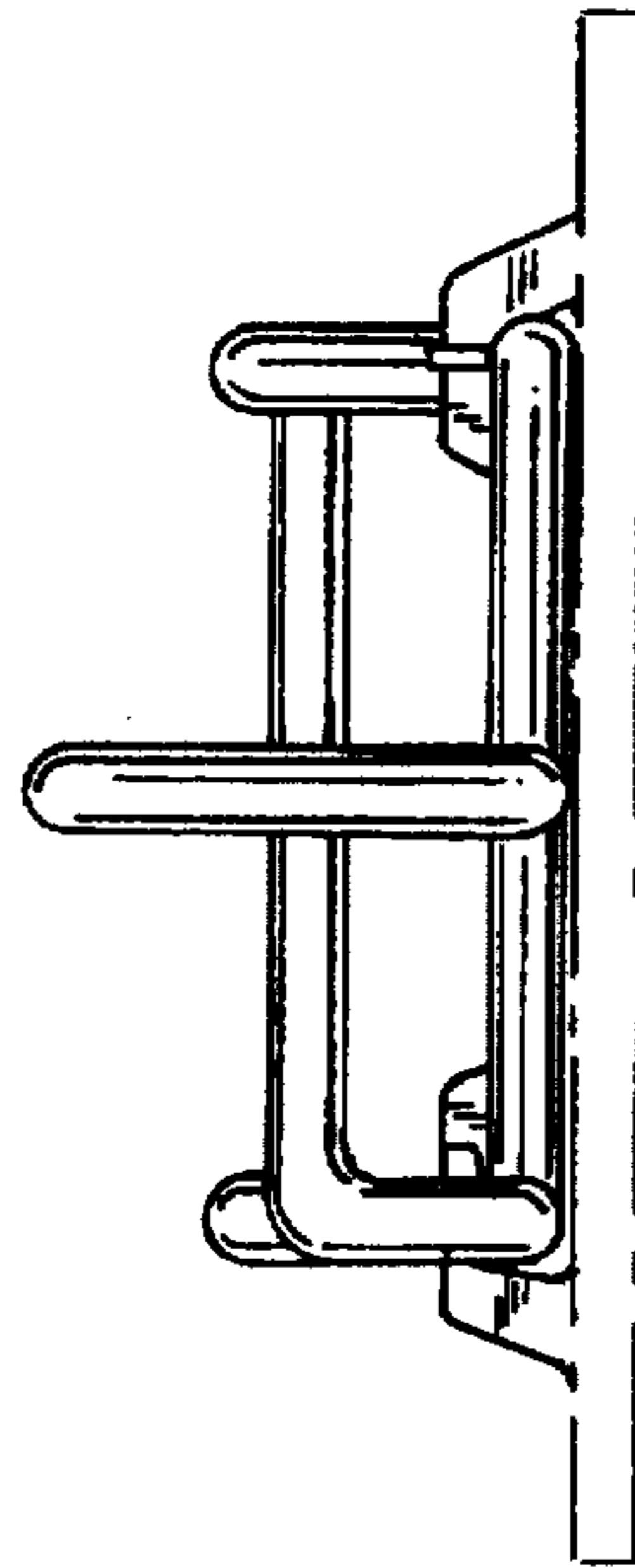


Fig. 5

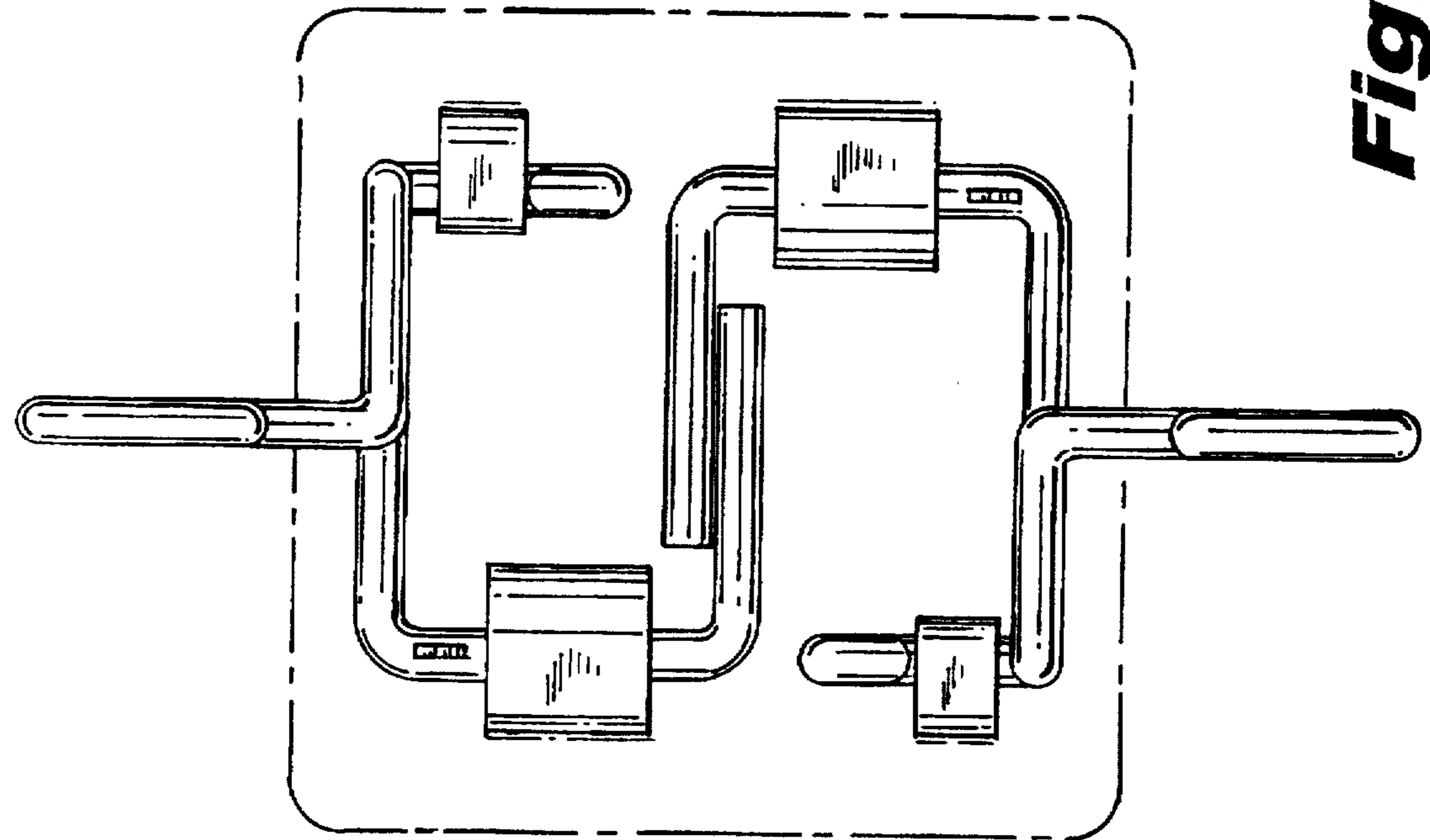


Fig. 6

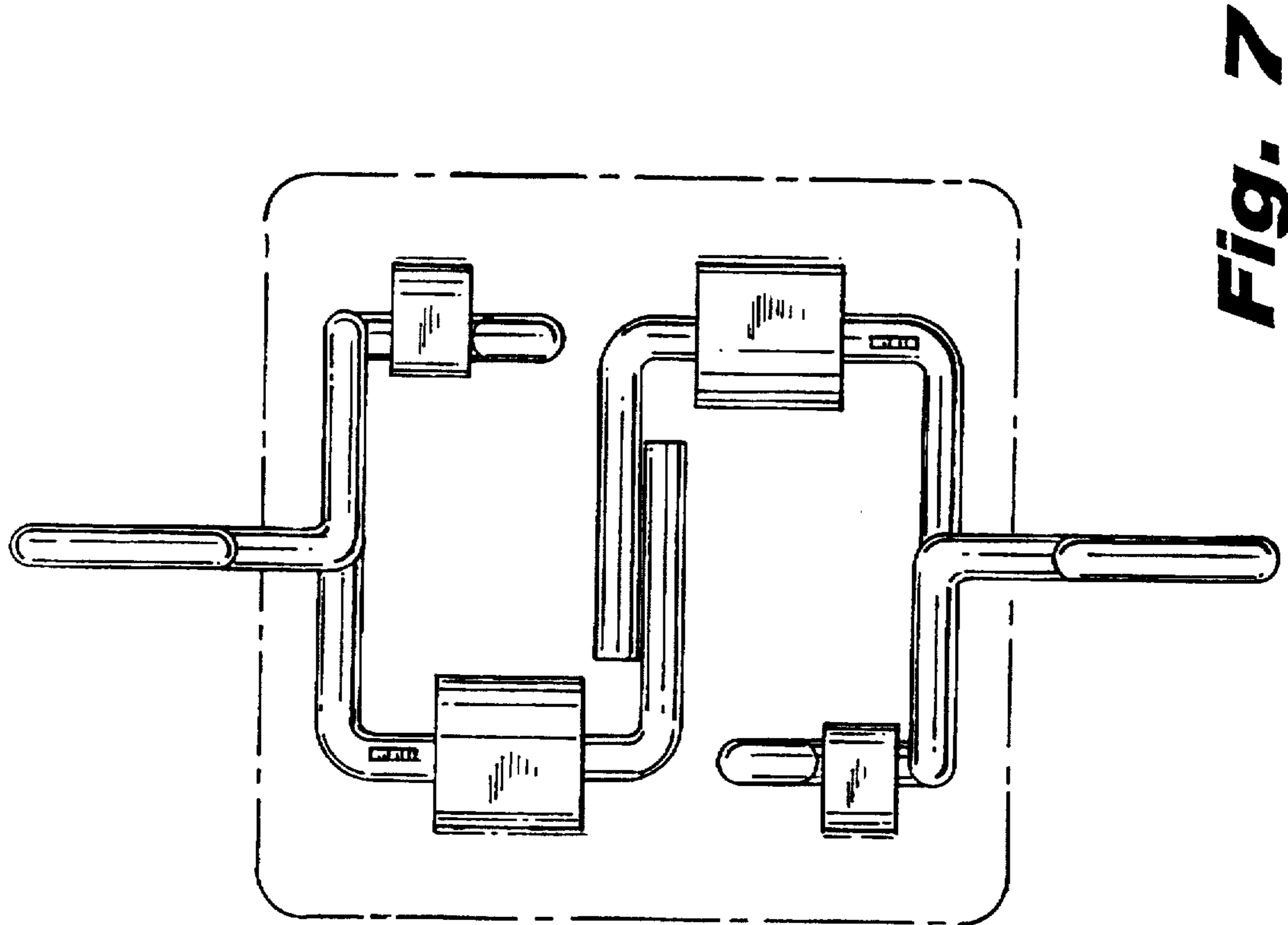


Fig. 7