



US00D397247S

United States Patent [19]

Gardner et al.

[11] Patent Number: **Des. 397,247**

[45] Date of Patent: ****Aug. 25, 1998**

- [54] **PERSONAL VITAMIN DISPENSER**
- [75] Inventors: **Christopher P. Gardner**, Pittsford;
Michael S. Mahle, Fairport, both of
N.Y.
- [73] Assignee: **Varant Products, Ltd.**, Pittsford, N.Y.
- [**] Term: **14 Years**
- [21] Appl. No.: **80,270**
- [22] Filed: **Nov. 20, 1997**
- [51] **LOC (6) CL** **03-01**
- [52] **U.S. Cl.** **D3/203; D9/417**
- [58] **Field of Search** D3/201, 203; D9/420-424,
D9/417, 337, 509, 516; D7/590, 601; 206/528,
534, 538, 530, 535, 536, 828; D24/200;
220/334, 339

D. 339,286	9/1993	Kelsey et al.	D3/203
D. 364,344	11/1995	Shaw	D9/423 X
D. 386,001	11/1997	Saffran	D3/203
4,492,316	1/1985	Emms	206/540 X
4,660,991	4/1987	Simon	206/534 X
5,275,291	1/1994	Sledge	206/531
5,405,011	4/1995	Haber et al.	206/531
5,577,335	11/1996	Tucker	206/534 X

Primary Examiner—Prabhakar G. Deshmukh
Attorney, Agent, or Firm—Cumpston & Shaw

[57] CLAIM

The ornamental design for a personal vitamin dispenser, as shown and described.

DESCRIPTION

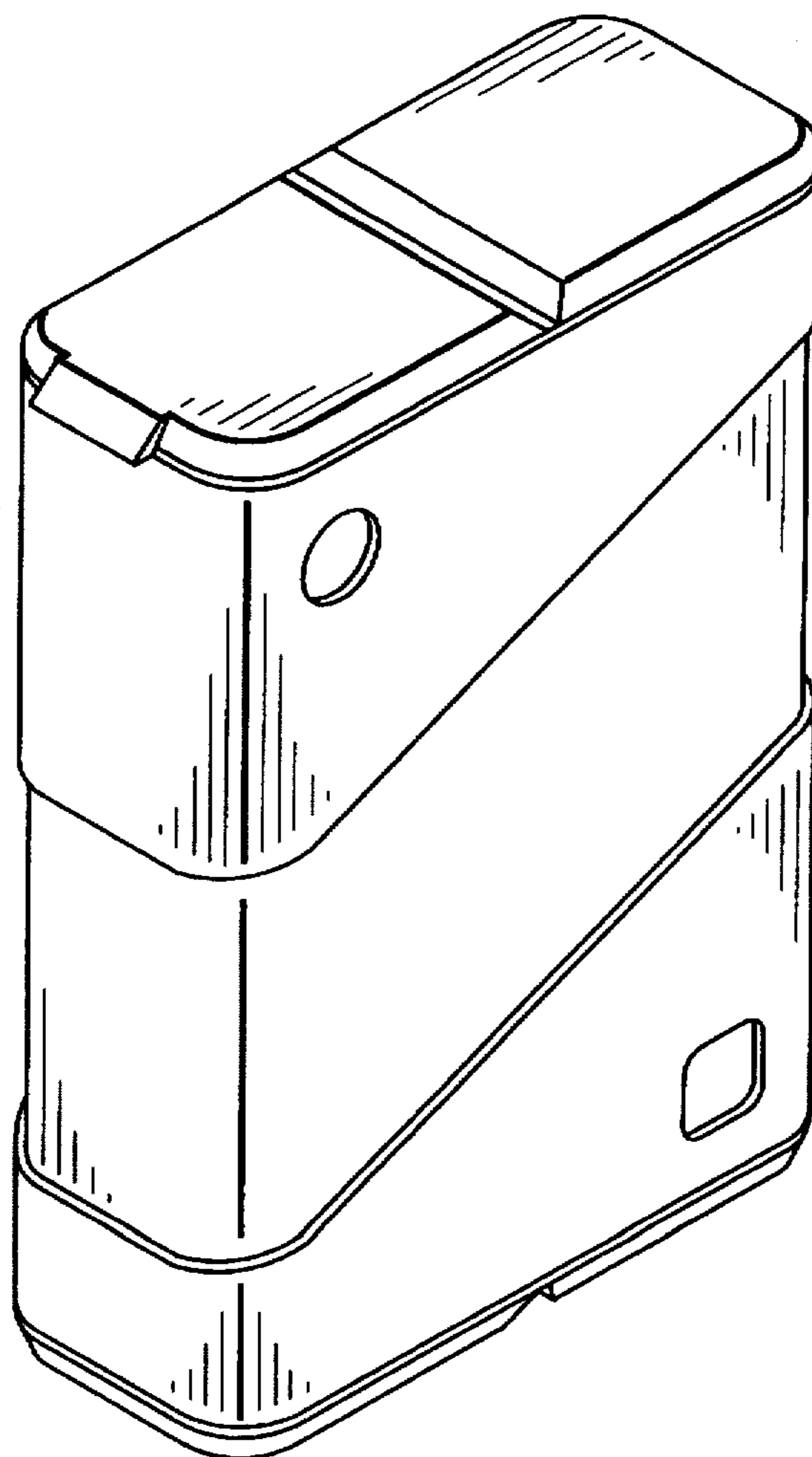
FIG. 1 is a front elevation of a personal vitamin dispenser, showing our new design;
 FIG. 2 is a left side view thereof;
 FIG. 3 is a right side view thereof;
 FIG. 4 is a top plan view thereof;
 FIG. 5 is a bottom plan thereof;
 FIG. 6 is a rear elevation thereof; and,
 FIG. 7 is a top, front left side perspective view thereof.

1 Claim, 4 Drawing Sheets

[56] References Cited

U.S. PATENT DOCUMENTS

D. 128,936	8/1941	Foley	206/540 X
D. 267,234	12/1982	Lunden	D9/515 X
D. 333,430	2/1993	Reiseneder	D9/417 X



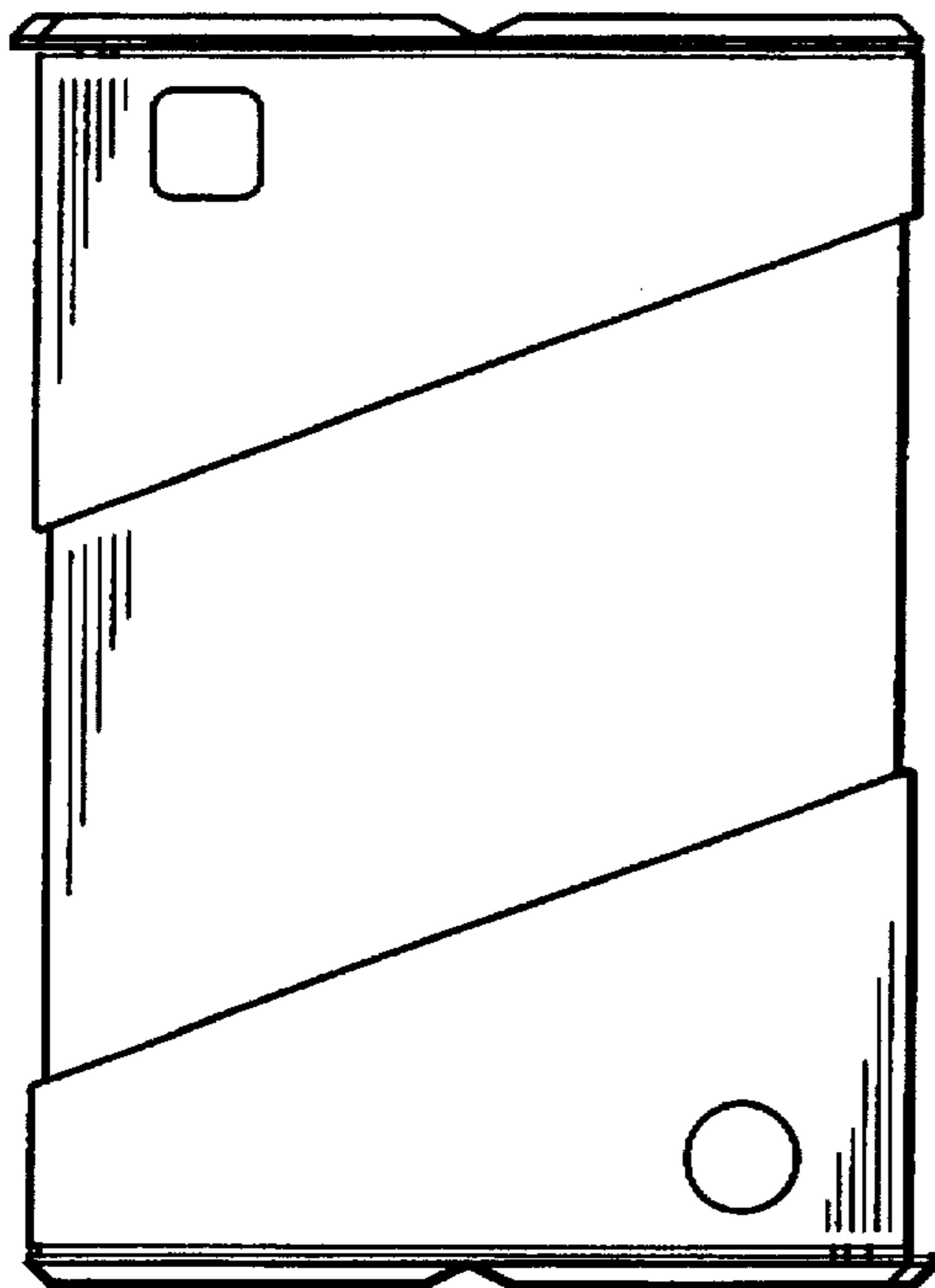


FIG. 1

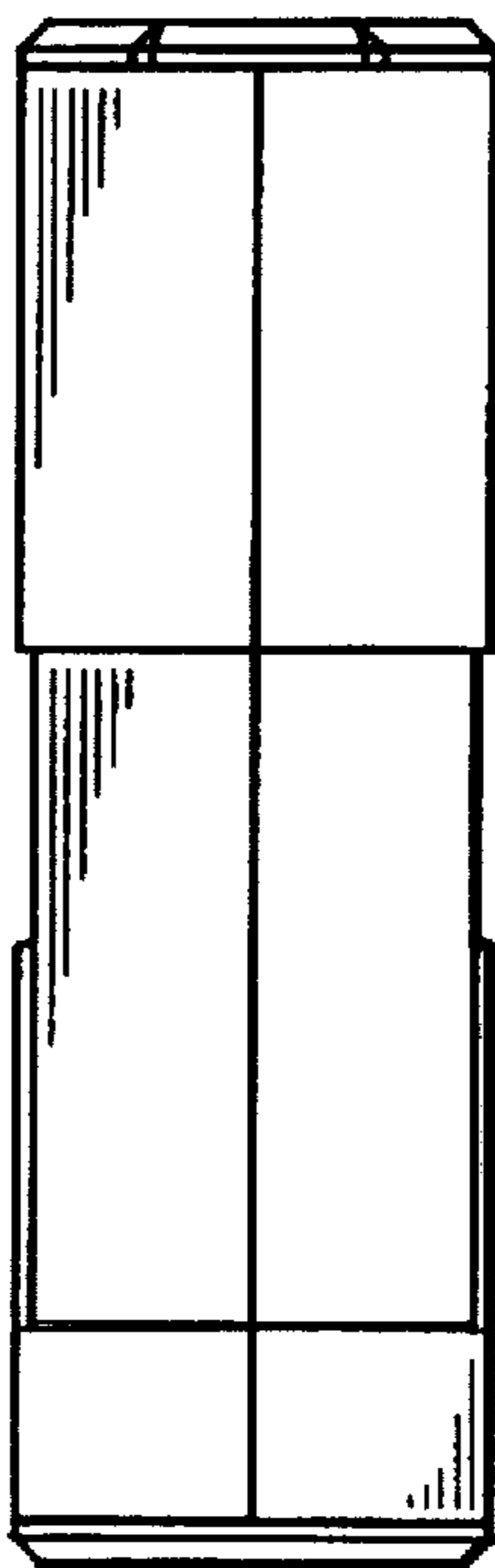


FIG. 2

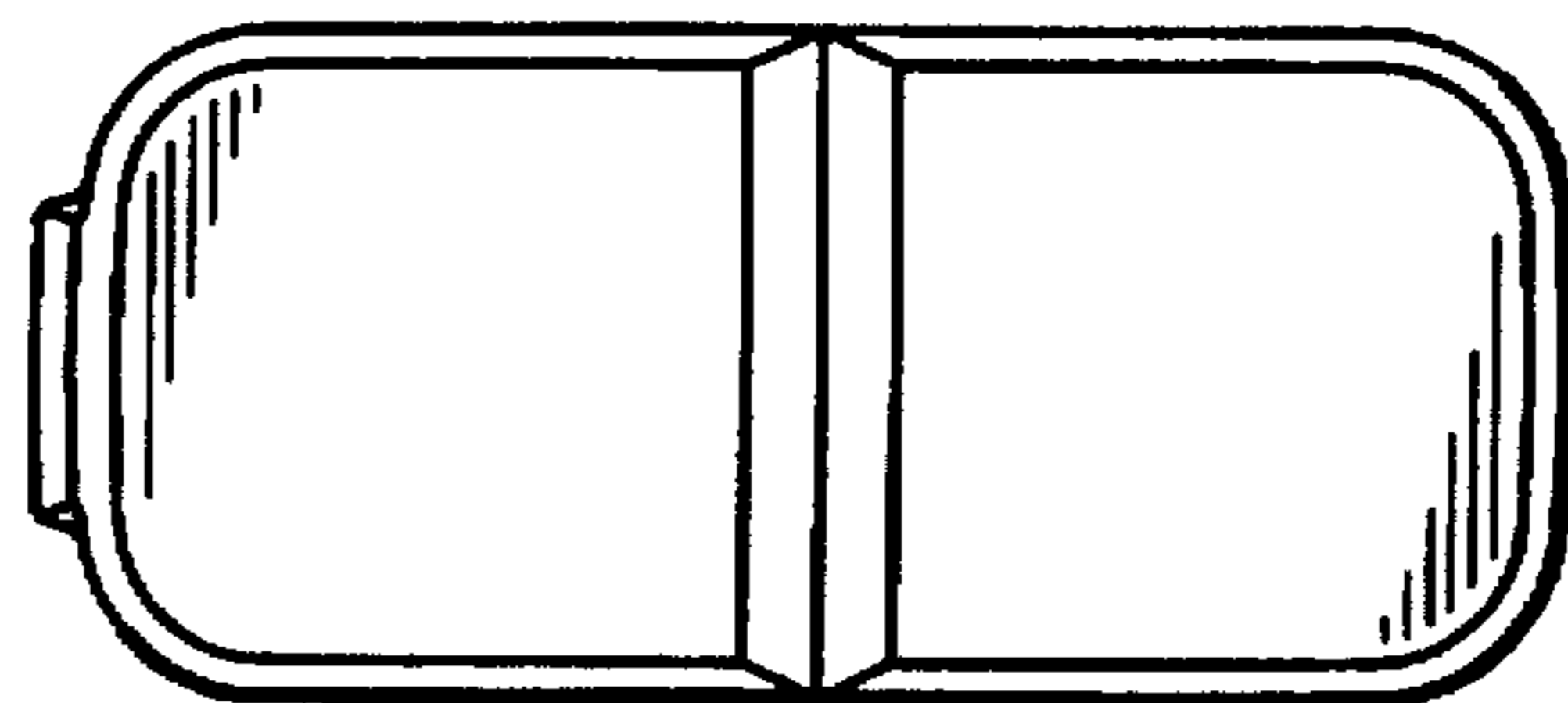


FIG. 3

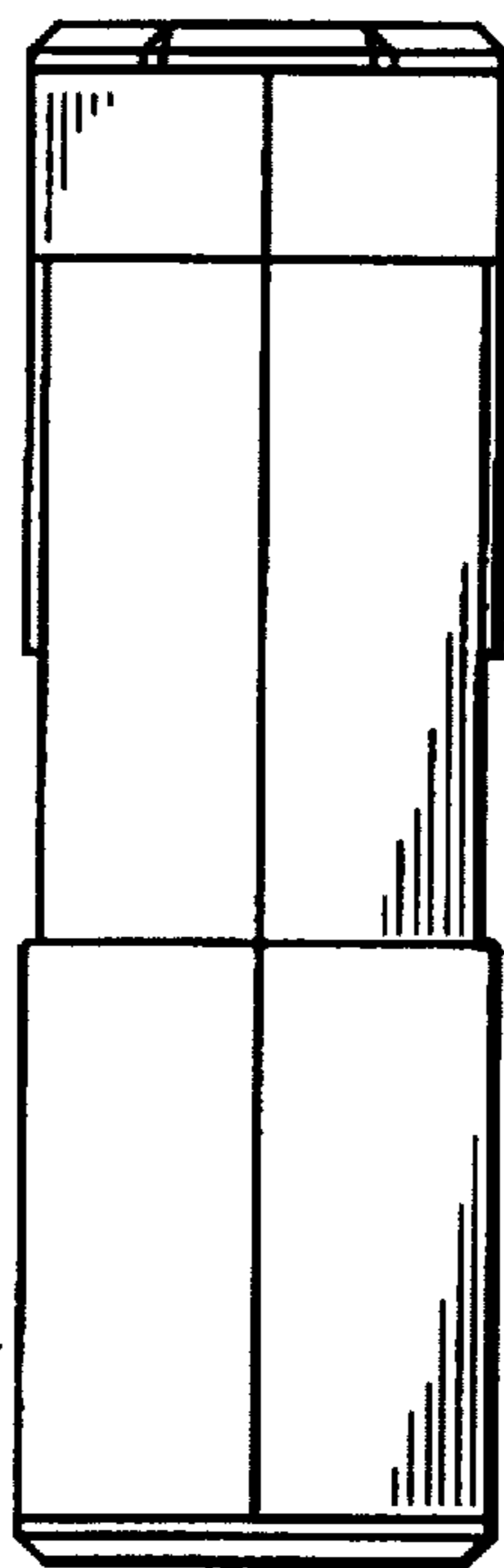


FIG. 4

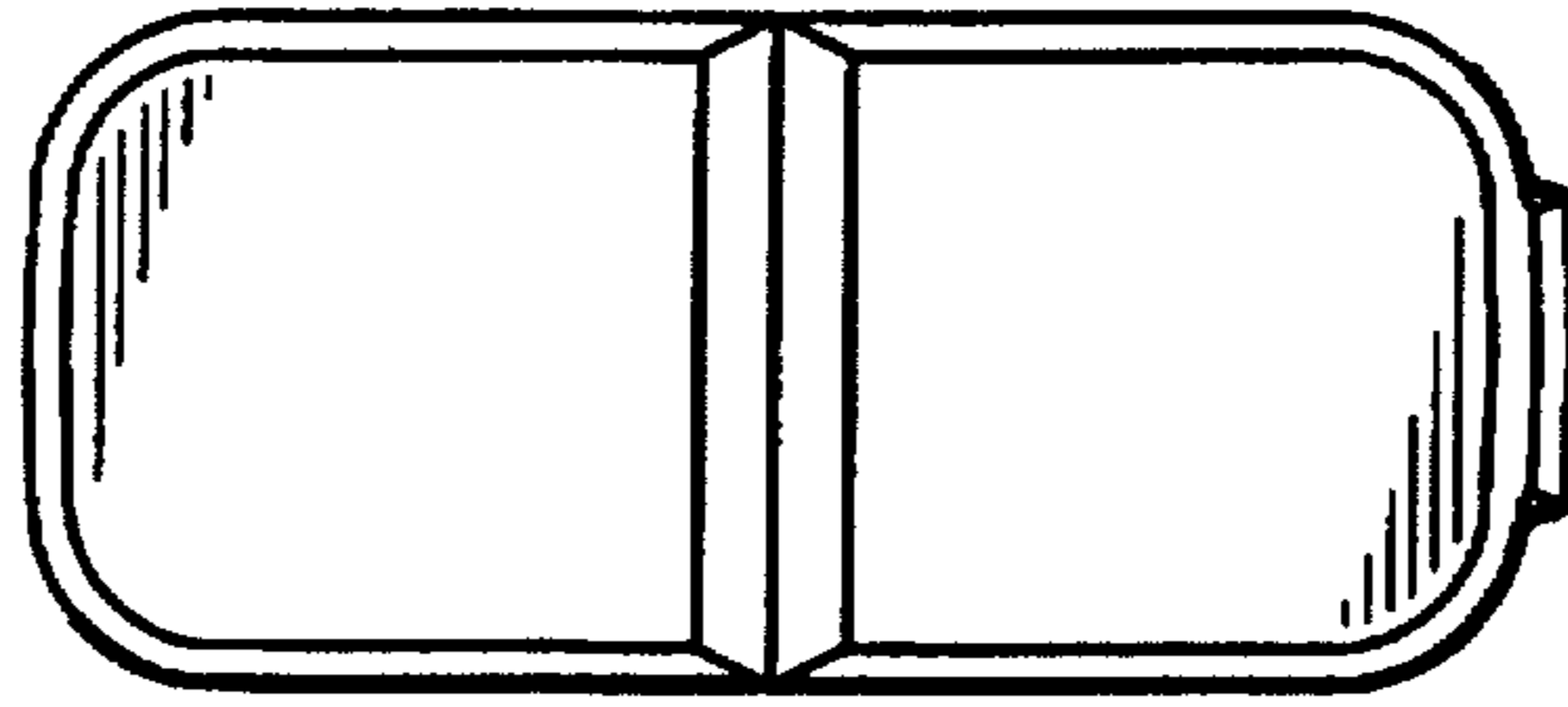


FIG. 5

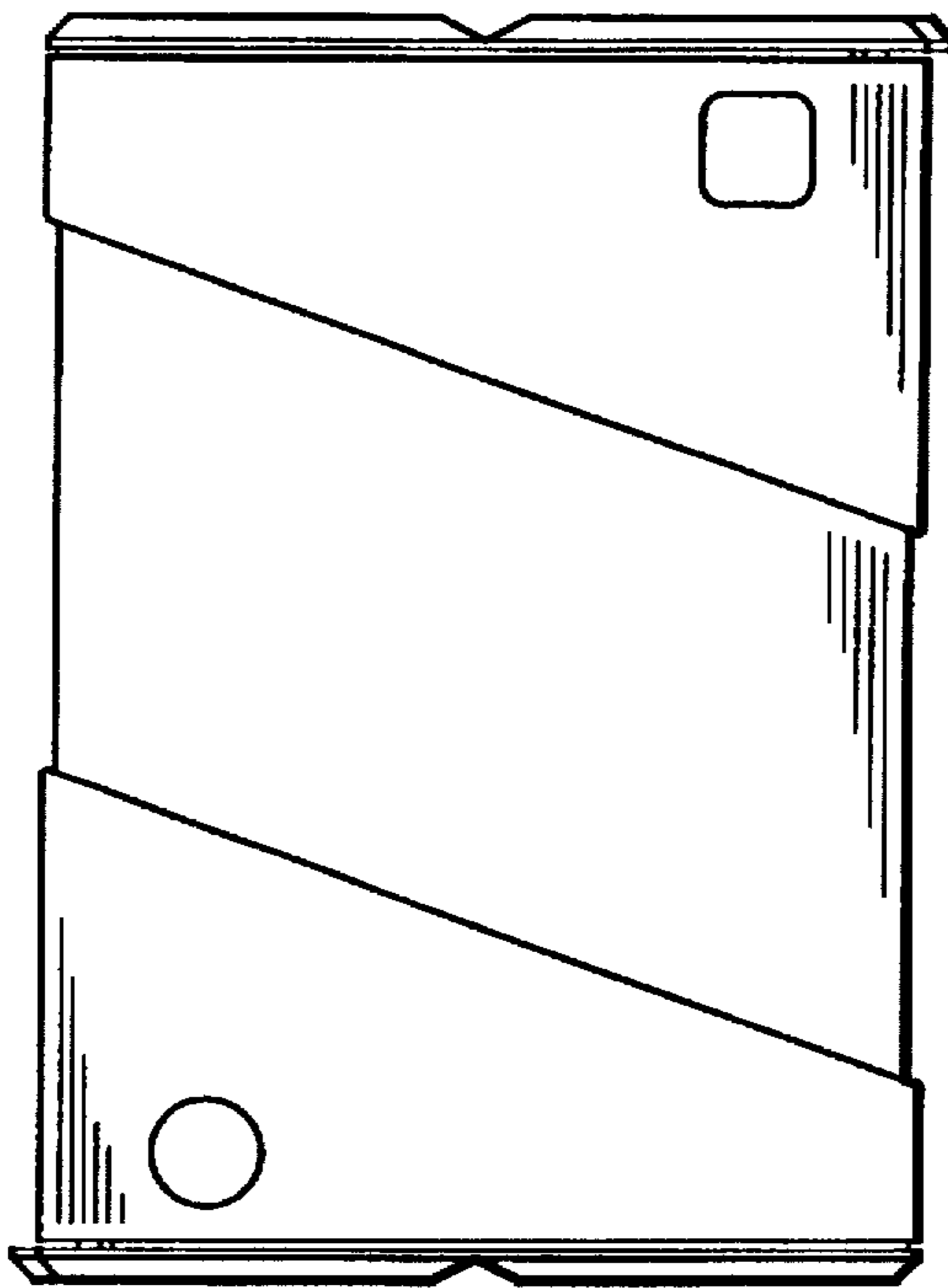


FIG. 6

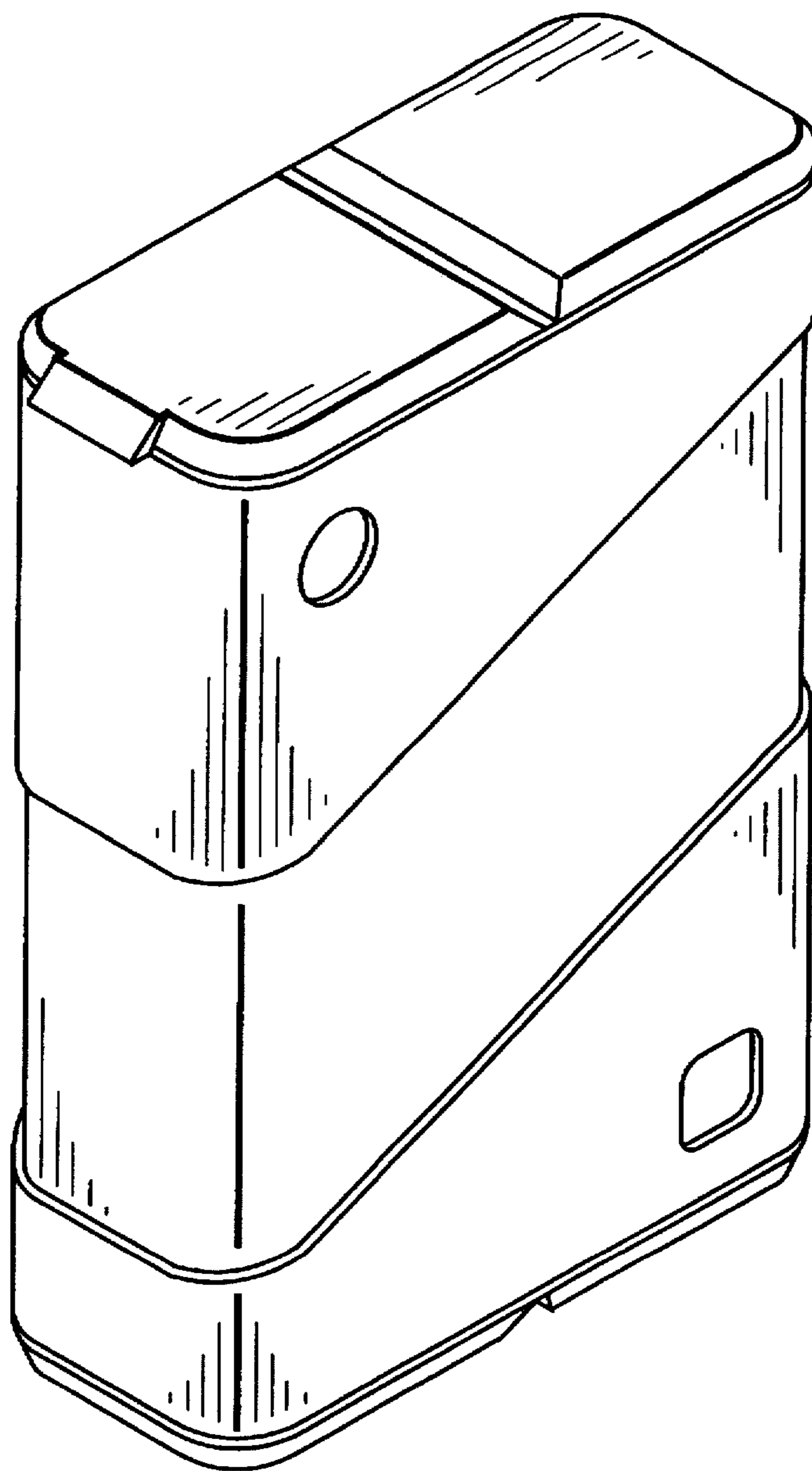


FIG. 7