



US00D397234S

United States Patent [19]
Huang

[11] **Patent Number: Des. 397,234**
[45] **Date of Patent: **Aug. 18, 1998**

[54] **SPOTLIGHT**

[75] **Inventor: Ray Huang, Taipei, Taiwan**
[73] **Assignee: Razz Industrial Co., Ltd., Taipei, Taiwan**
[**] **Term: 14 Years**

[21] **Appl. No.: 79,039**
[22] **Filed: Nov. 7, 1997**

[51] **LOC (6) Cl. 26-05**
[52] **U.S. Cl. D26/63; D26/93**
[58] **Field of Search 362/410, 411, 362/412, 413, 414; D26/93, 102-112, 63**

[56] **References Cited**

U.S. PATENT DOCUMENTS

D. 330,606	10/1992	Lee	D26/63
D. 342,801	12/1993	Poon	D26/63
1,919,114	7/1933	Ley	362/413
3,325,639	6/1967	King	362/411

OTHER PUBLICATIONS

Washington Post, p. A-6, Lamp advertisement, tripod lights, Sep. 1973.

Primary Examiner—Susan J. Lucas
Attorney, Agent, or Firm—Morton J. Rosenberg; David I. Klein; Jun Y. Lee

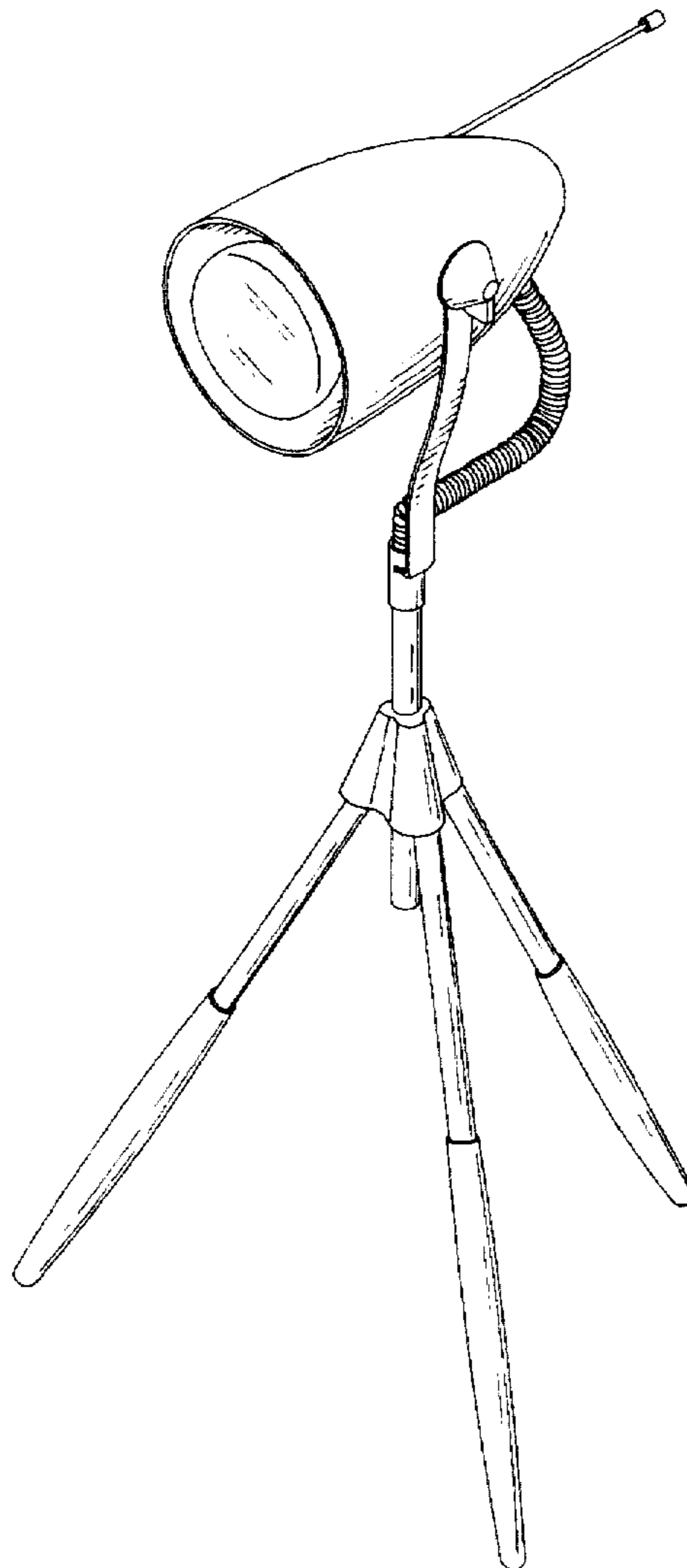
[57] **CLAIM**

The ornamental design for a "spotlight", as shown and described.

DESCRIPTION

FIG. 1 is the perspective view of a "spotlight" showing my new design;
FIG. 2 is the front elevational view thereof;
FIG. 3 is the rear elevational view thereof;
FIG. 4 is the left side elevational view thereof;
FIG. 5 is the right side elevational view thereof;
FIG. 6 is the top plan view thereof; and,
FIG. 7 is the bottom plan view thereof.

1 Claim, 6 Drawing Sheets



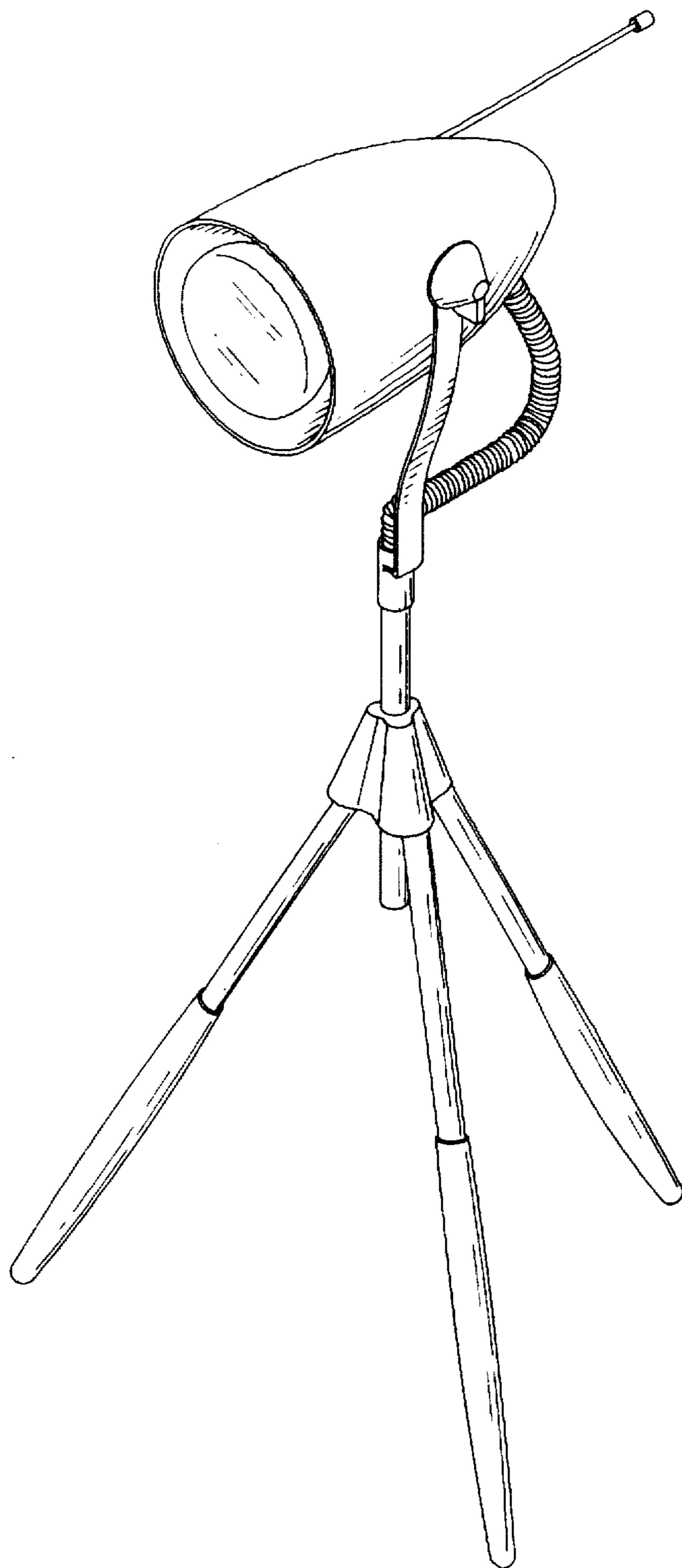


FIG. 1

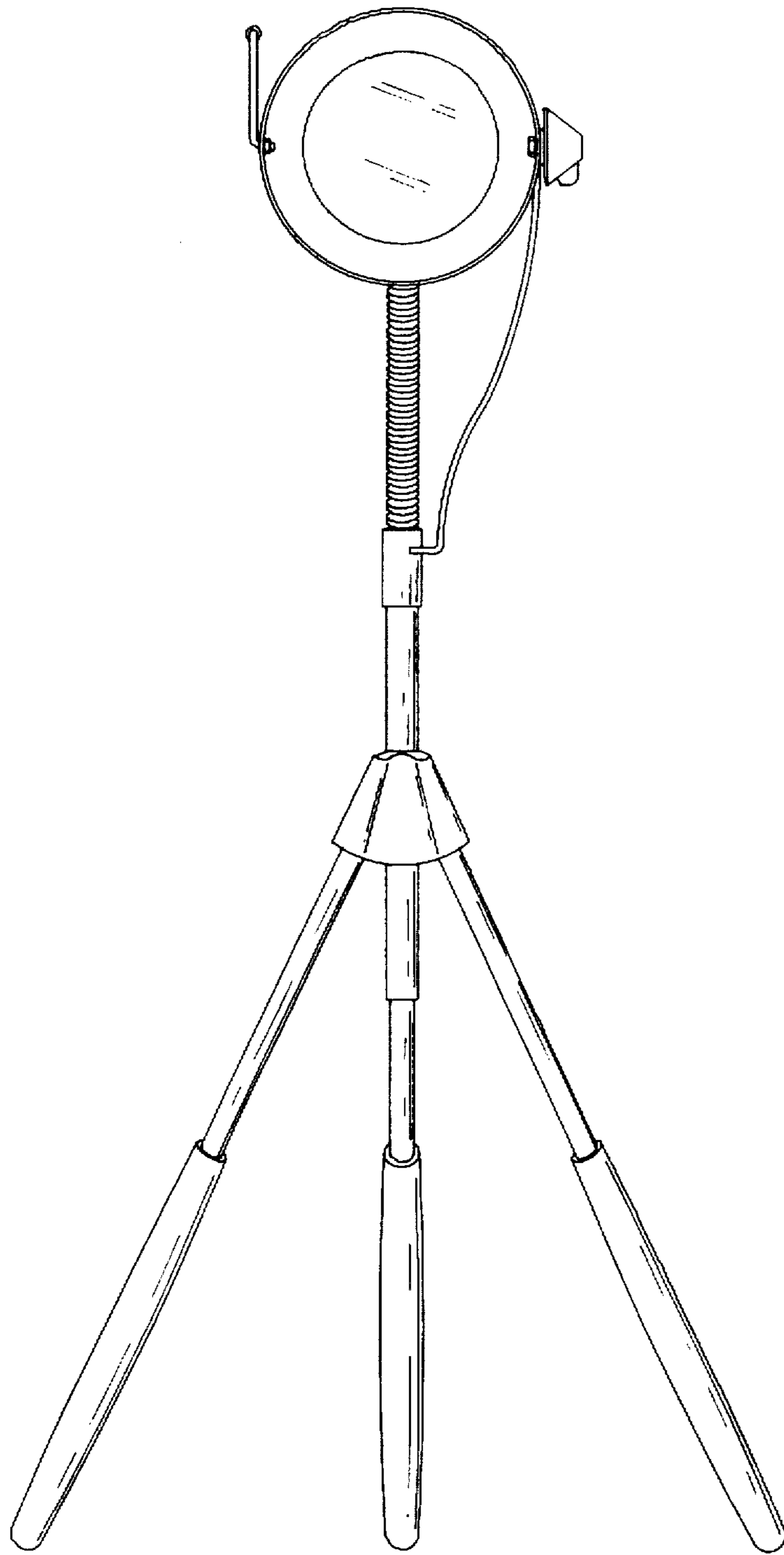


FIG.2

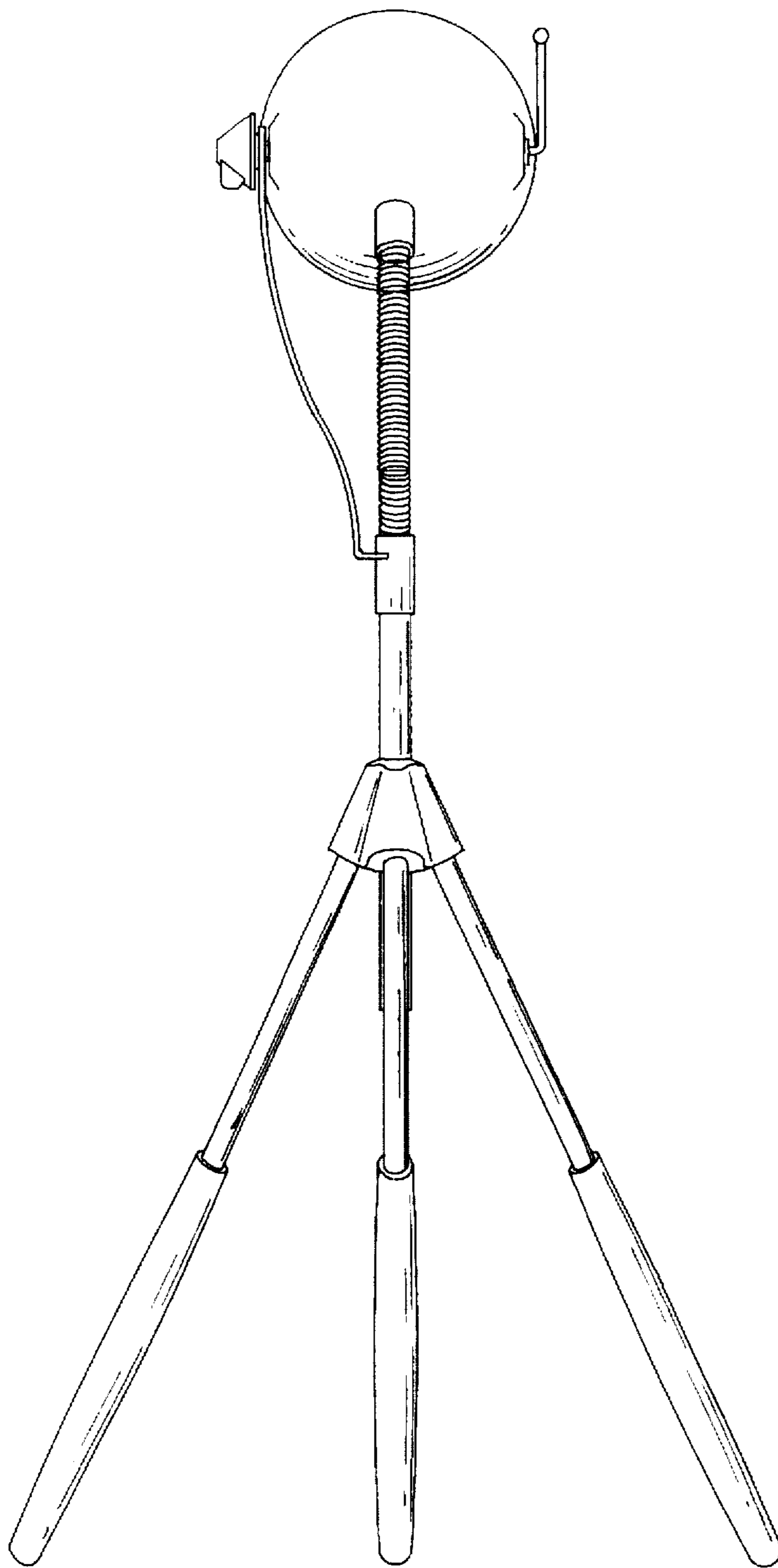


FIG. 3

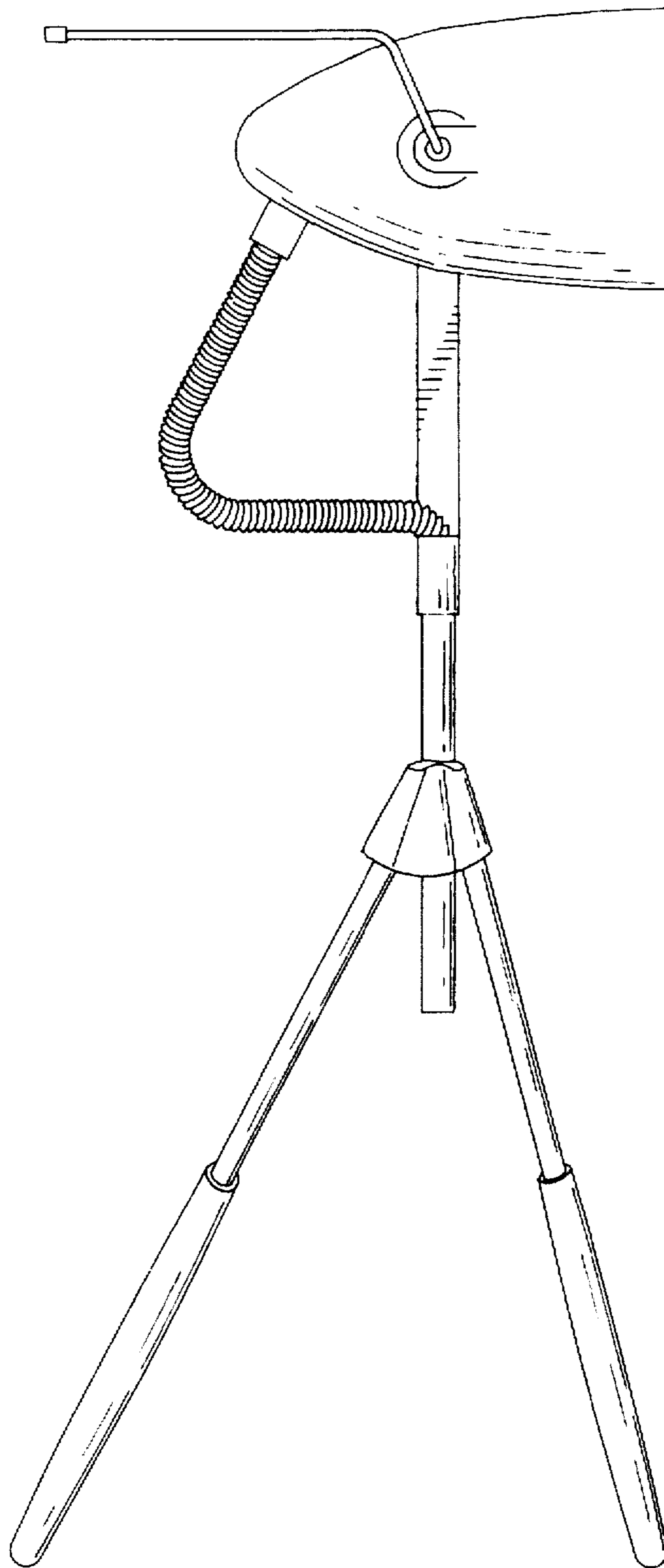


FIG. 4

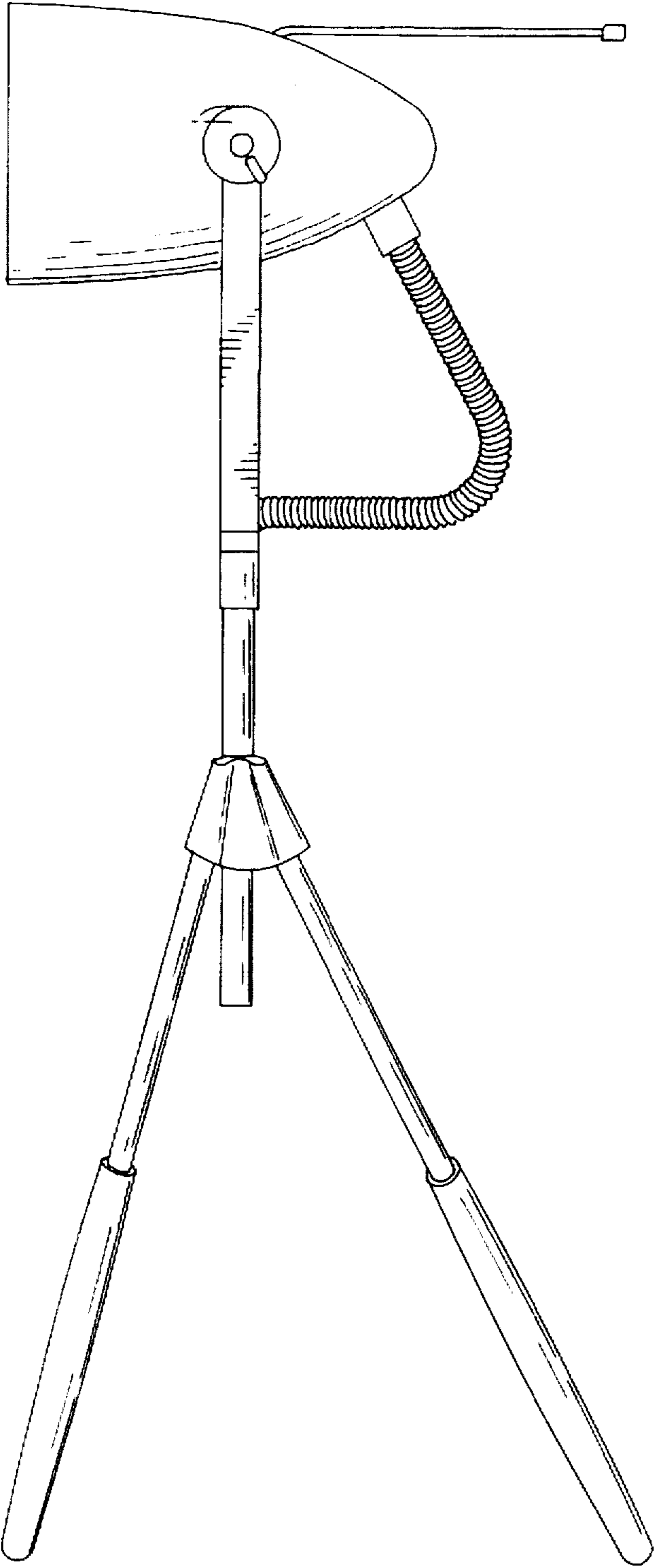


FIG.5

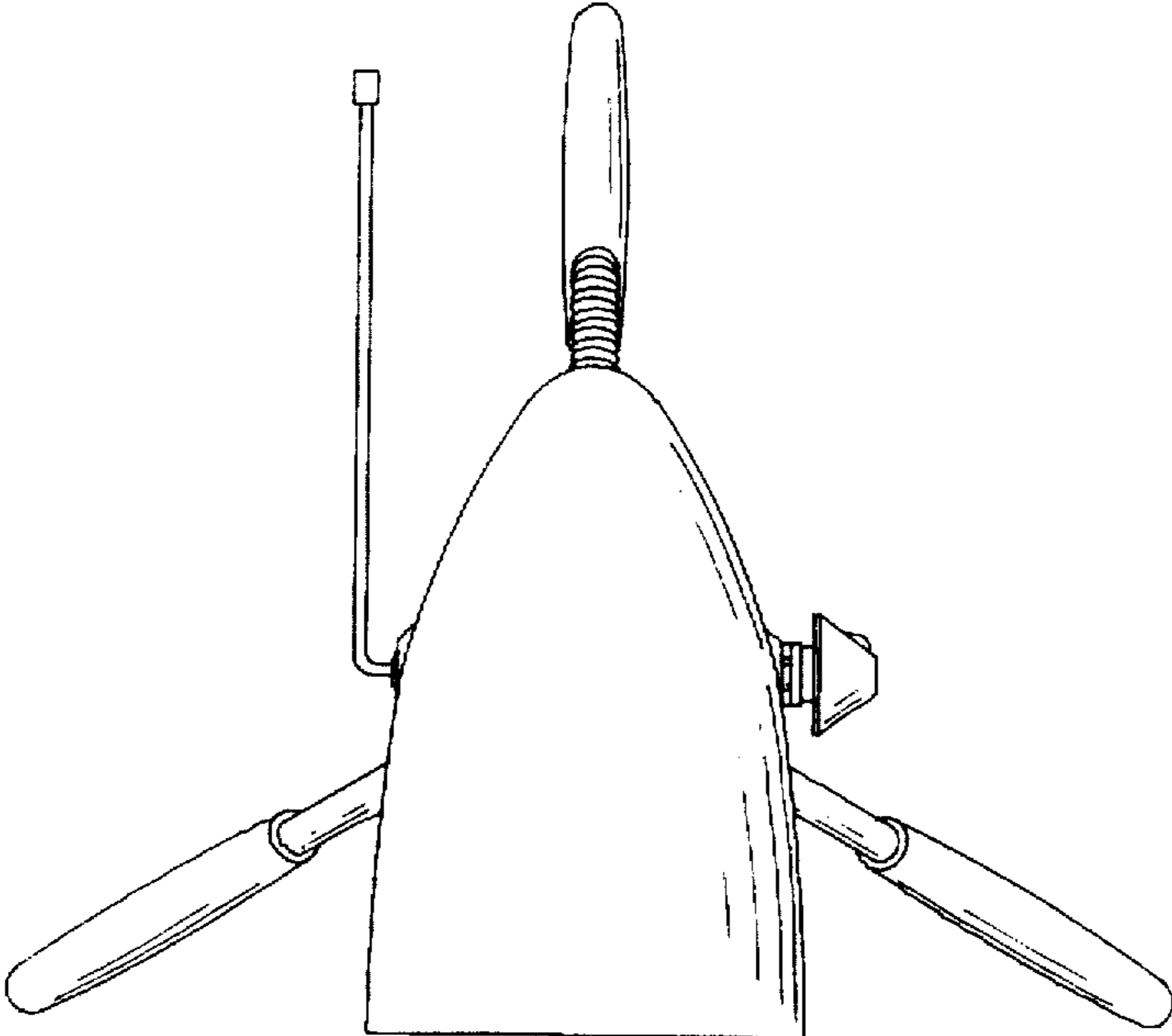


FIG. 6

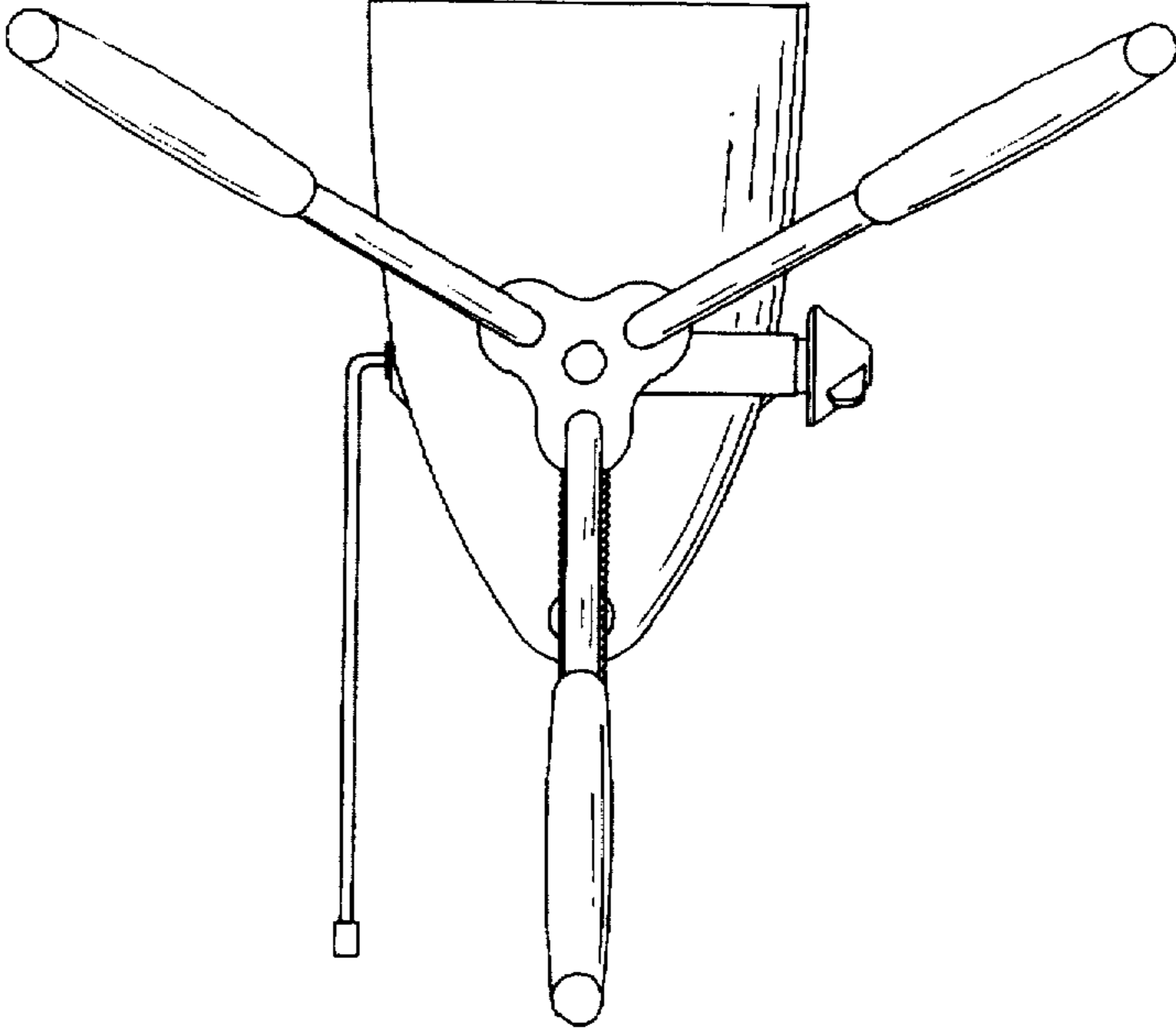


FIG. 7