

US00D397233S

# United States Patent [19] Bassford

[11] Patent Number: **Des. 397,233**  
[45] Date of Patent: **\*\*Aug. 18, 1998**

- [54] **SOLAR-POWERED AREA LIGHT**
- [75] Inventor: **Paul Stanley Bassford**, Bend, Oreg.
- [73] Assignee: **Startronics Solar Lighting II, Inc.**, Bend, Oreg.
- [\*\*] Term: **14 Years**
- [21] Appl. No.: **66,089**
- [22] Filed: **Feb. 3, 1997**
- [51] LOC (6) Cl. .... **26-05**
- [52] U.S. Cl. .... **D26/67; D10/104; D26/24; D26/37**
- [58] **Field of Search** ..... **D26/24, 67, 68, D26/37, 38; 362/183, 200, 155, 147, 189, 202, 94, 100, 136, 154, 156; D10/104, 106**

[56] **References Cited**

**U.S. PATENT DOCUMENTS**

D. 170,139	8/1953	Ross	.....	D26/24
D. 309,789	8/1990	Luce	.....	D26/68
D. 311,255	10/1990	Spotts	.....	D26/67
D. 316,458	4/1991	Spotts et al.	.....	D26/67
2,618,736	11/1952	Langhout	.....	362/155
4,398,237	8/1983	Doyel	.....	362/200 X
4,759,735	7/1988	Pagnol et al.	.....	362/183 X
4,800,469	1/1989	Leon	.....	362/200 X
5,535,108	7/1996	Logsdon	.....	362/183

**FOREIGN PATENT DOCUMENTS**

110912	8/1918	United Kingdom	.....	362/200
--------	--------	----------------	-------	---------

Primary Examiner—Susan J. Lucas

Attorney, Agent, or Firm—Klarquist Sparkman Campbell Leigh & Winston, LLP

[57] **CLAIM**

The ornamental design for a solar-powered area light, as shown and described.

**DESCRIPTION**

FIG. 1 is a perspective view of a solar-powered area light; FIG. 2 is a top view of the solar-powered area light of FIG. 1; FIG. 3 is a side elevational view of the solar-powered area light of FIG. 1 having a mounting flange (shown in dashed lines) mounted to an enclosed structure (also shown in dashed lines) for lighting the interior of the structure; FIG. 4 is a side elevation view of the solar-powered area light of FIG. 1; FIG. 5 is a bottom view of the solar-powered area light of FIG. 1; FIG. 6 is a perspective view of a solar-powered area light in accordance with another embodiment of the present invention; FIG. 7 is a top view of the solar-powered area light of FIG. 6; FIG. 8 is a side elevational view of the solar-powered area light of FIG. 6 having a mounting flange (shown in dashed lines) mounted to an enclosed structure (also shown in dashed lines) for lighting the interior of the structure; FIG. 9 is a side elevational view of the solar-powered area light of FIG. 6; and, FIG. 10 is a bottom view of the solar-powered area light of FIG. 6.

The dashed lines are shown for illustrative purposes only and form no part of the claimed design.

**1 Claim, 2 Drawing Sheets**

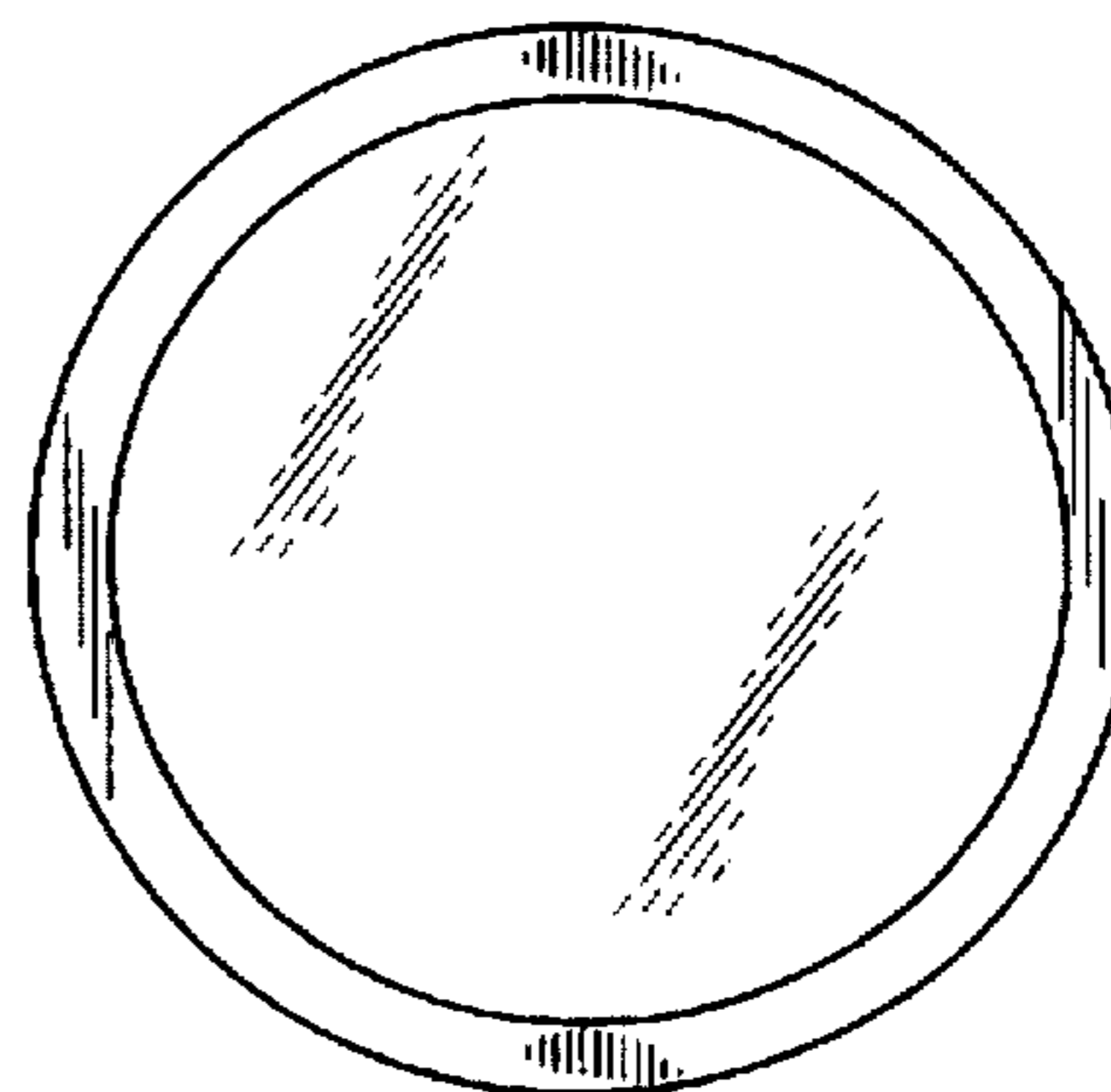
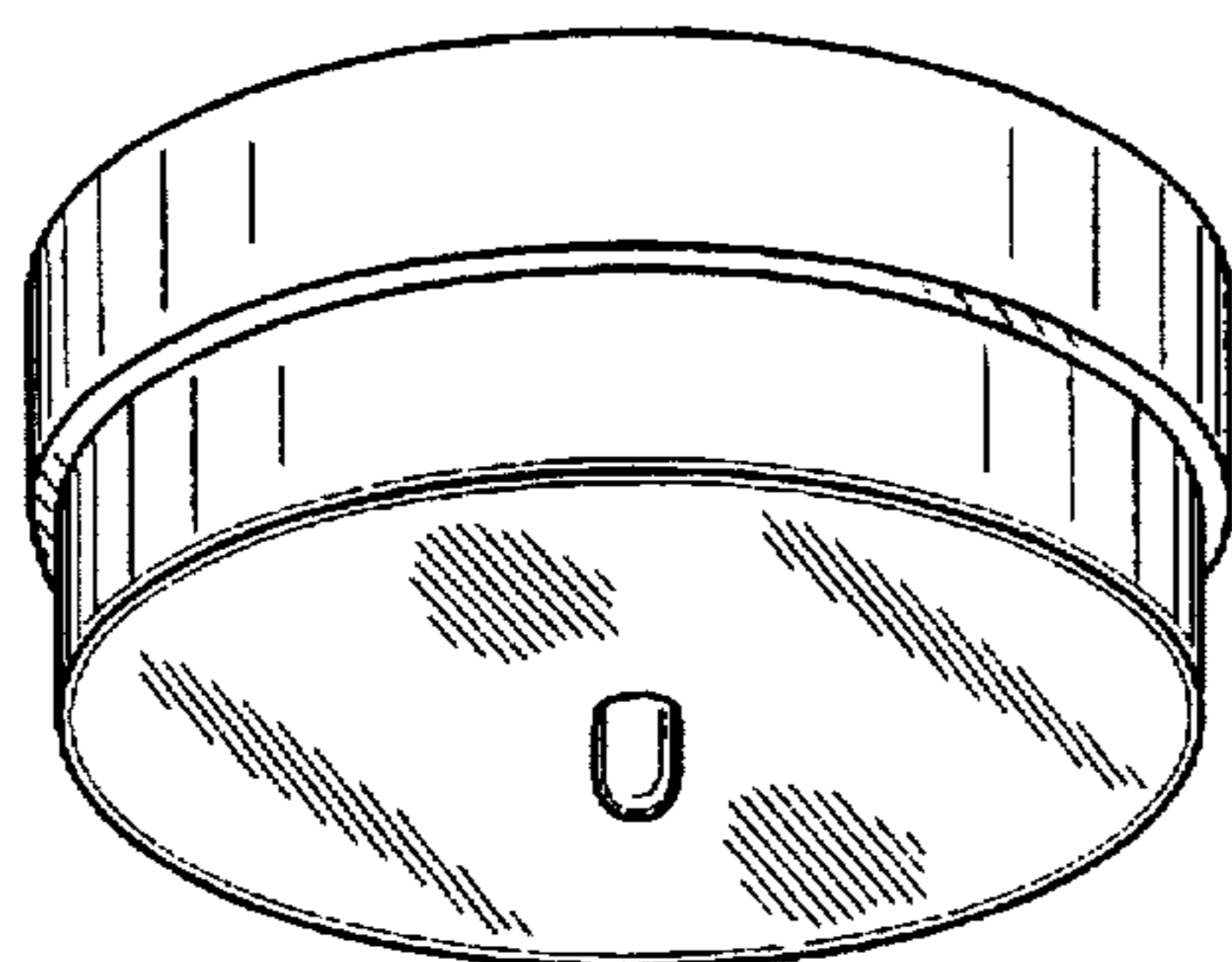


FIG. 1

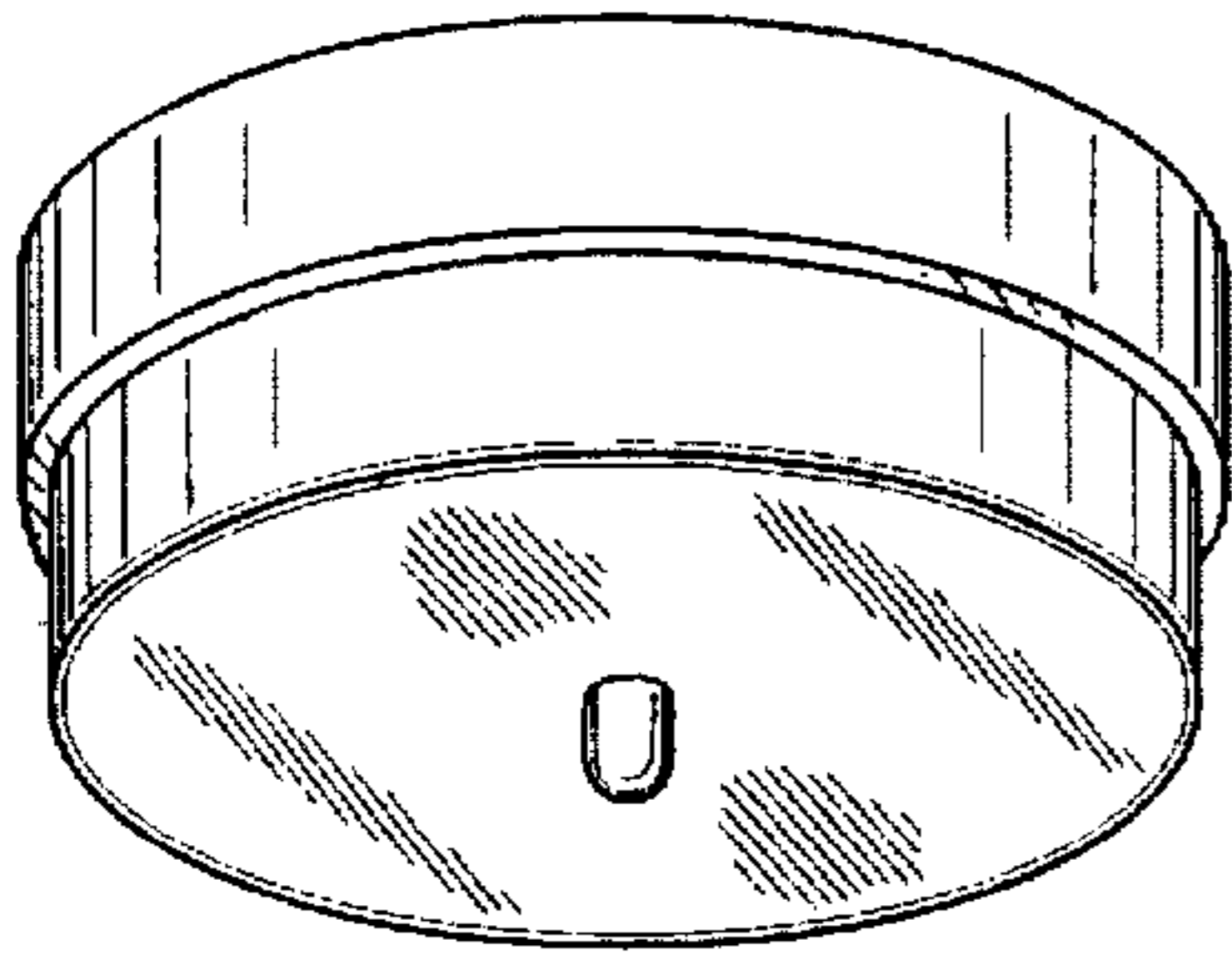


FIG. 2

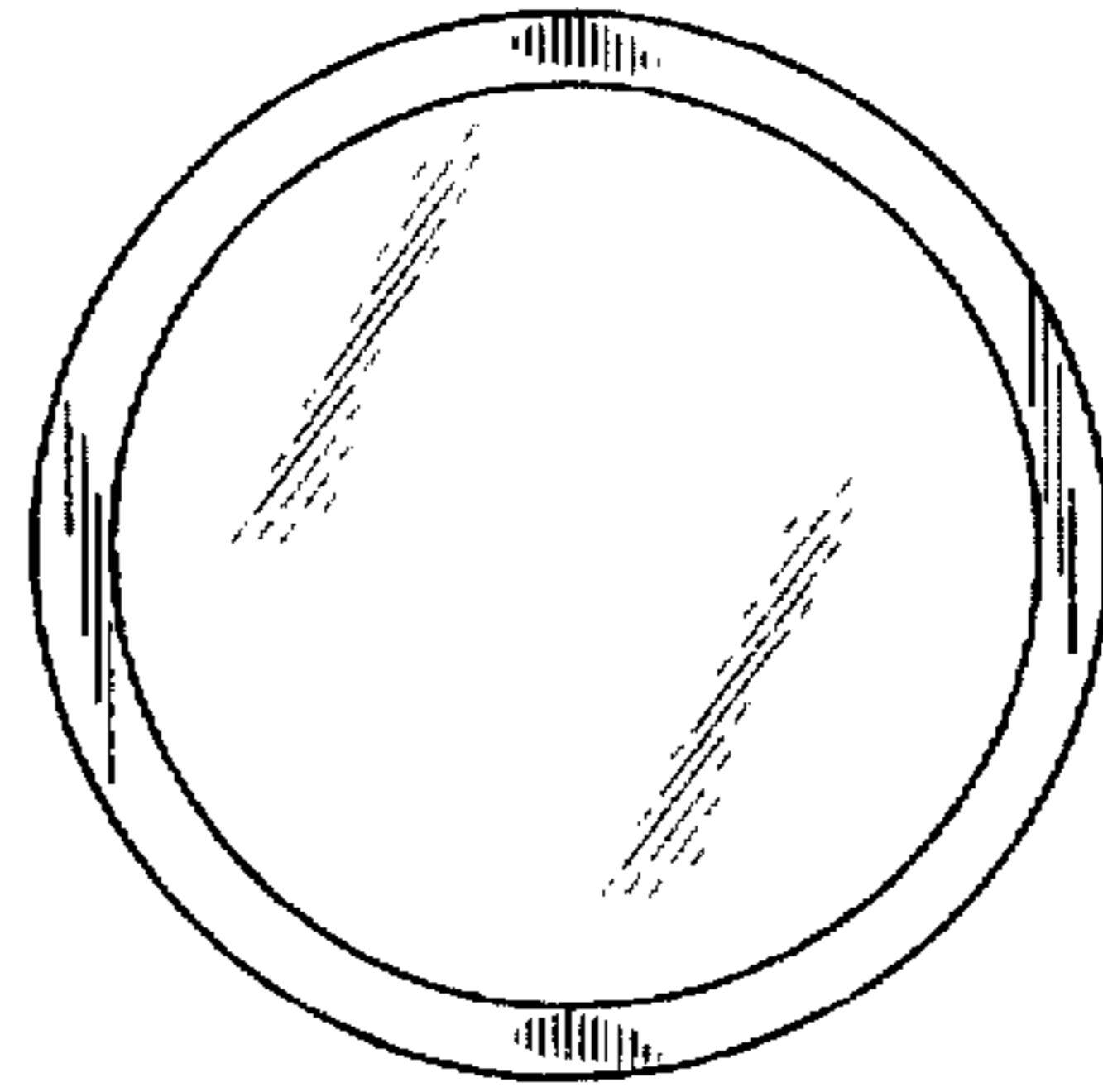


FIG. 3

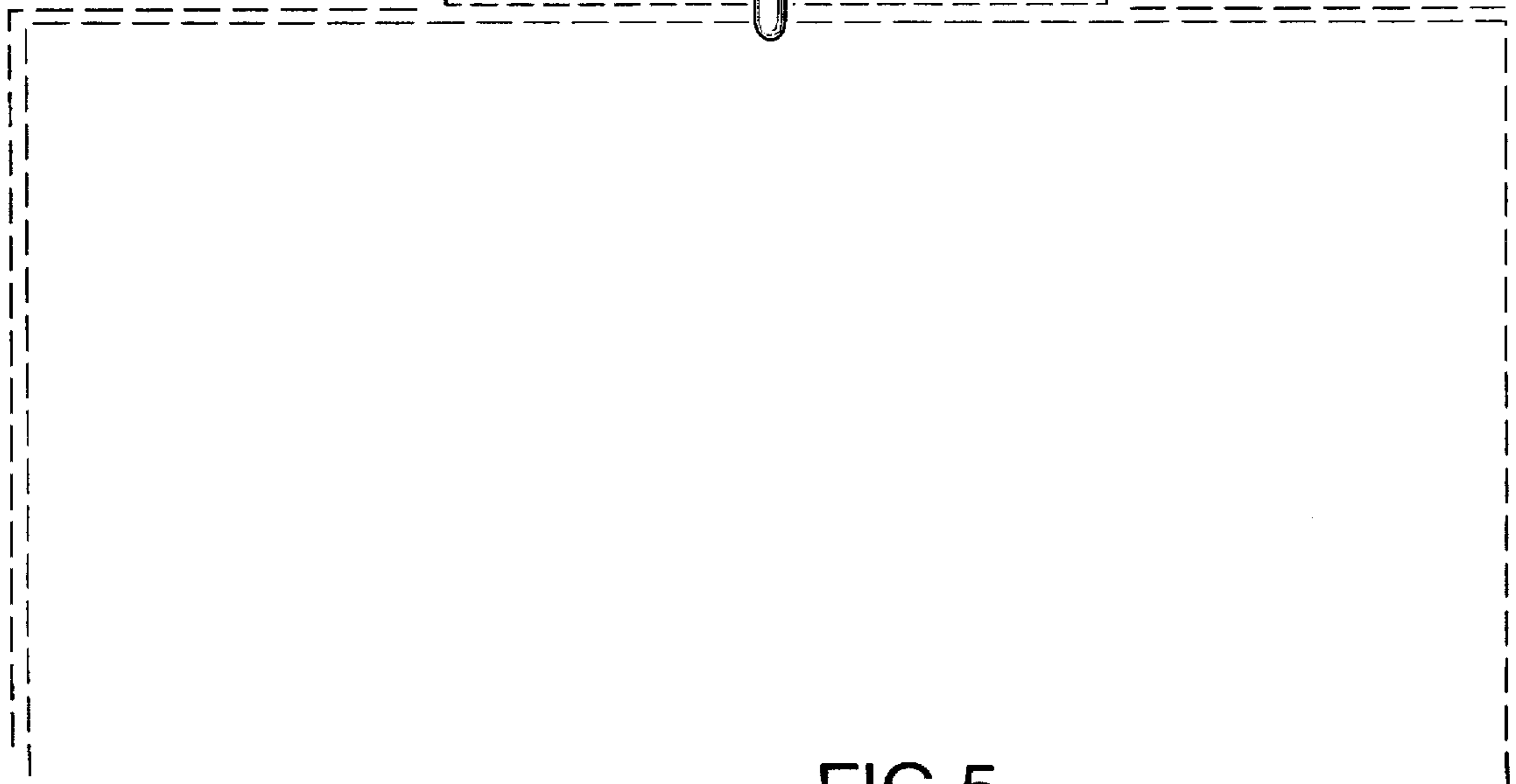
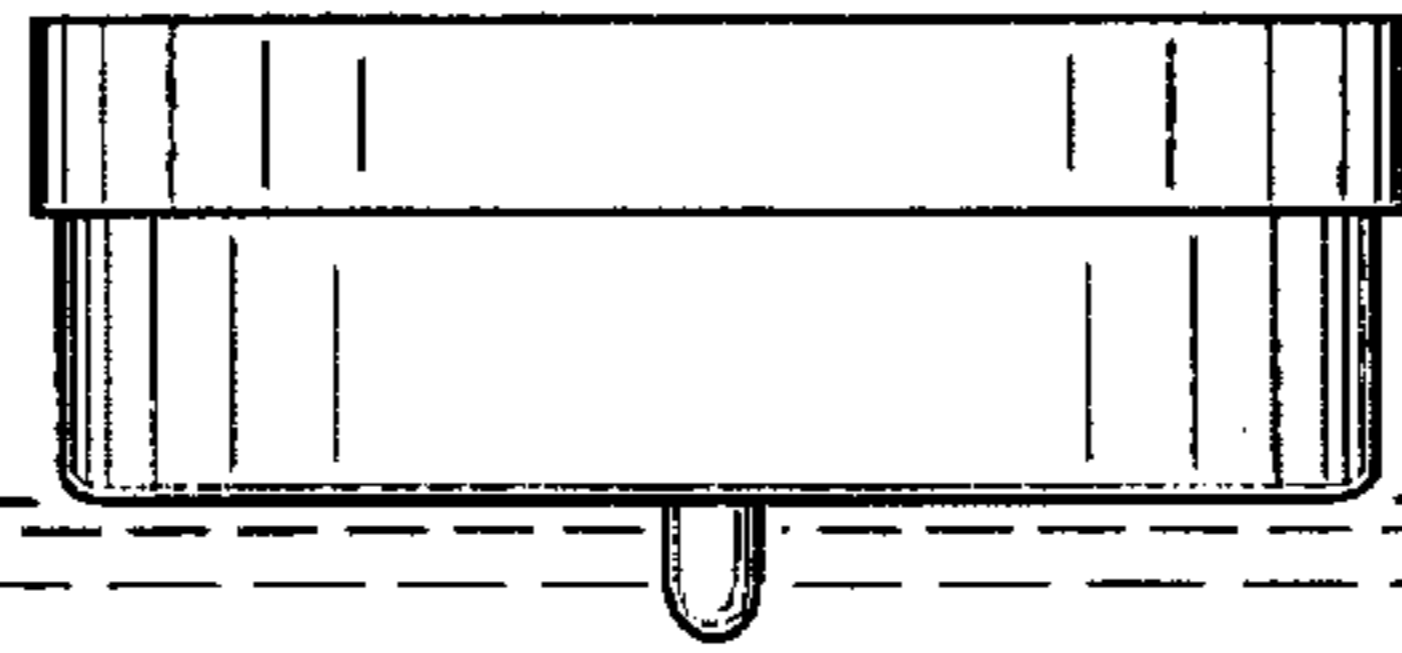


FIG. 4

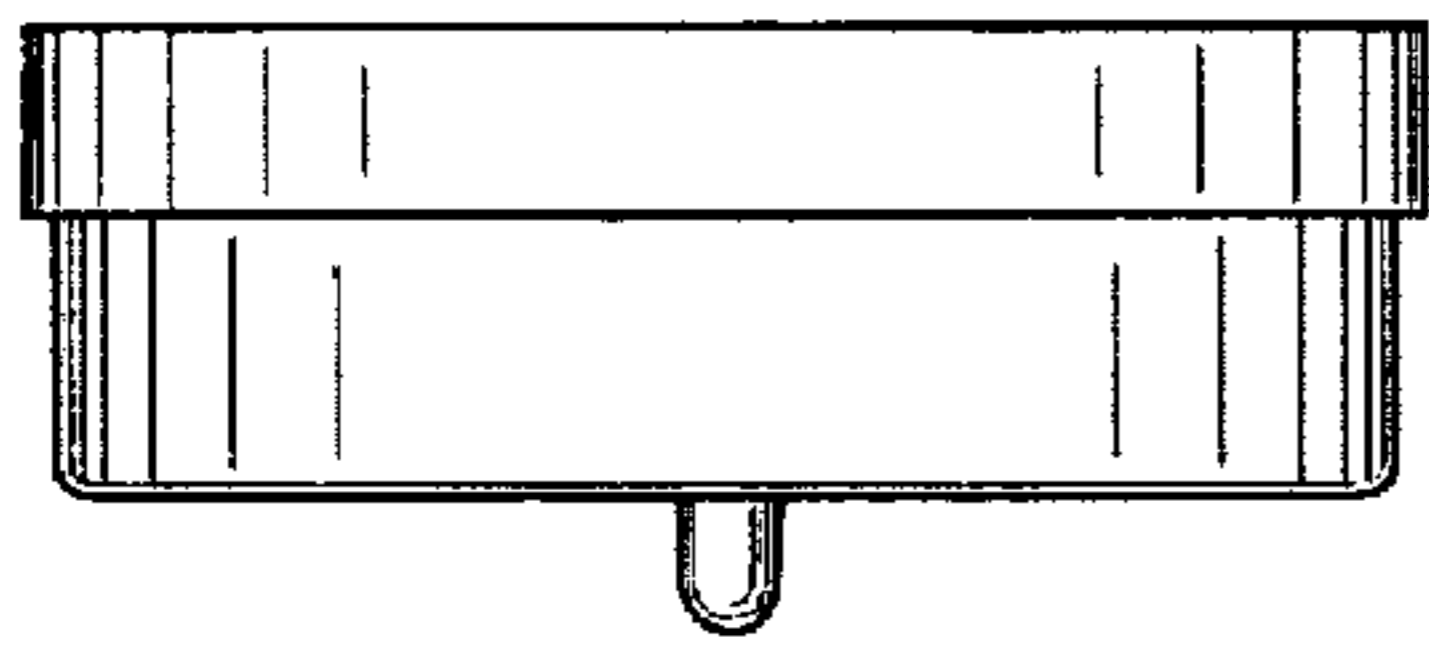


FIG. 5

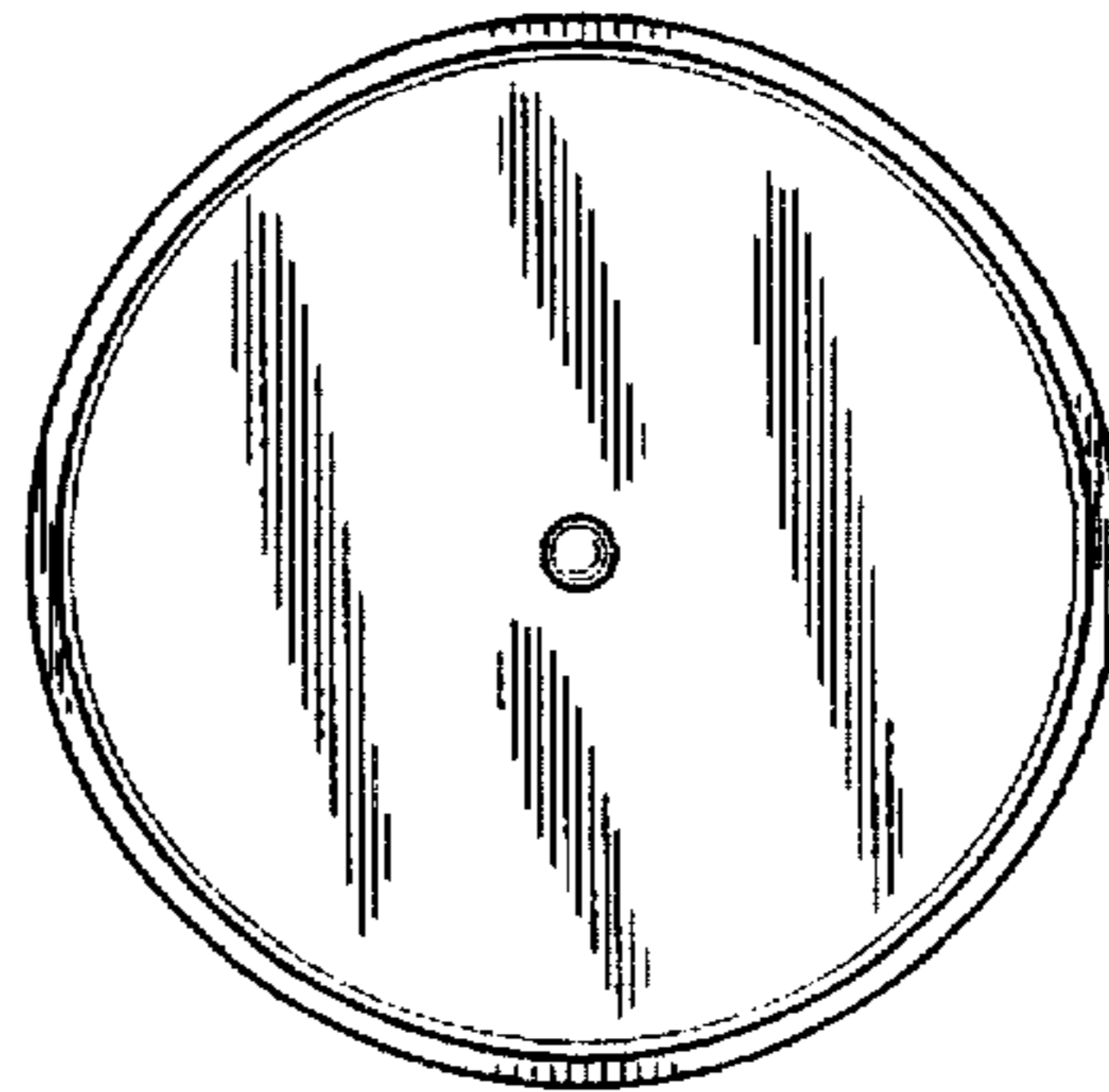


FIG. 6

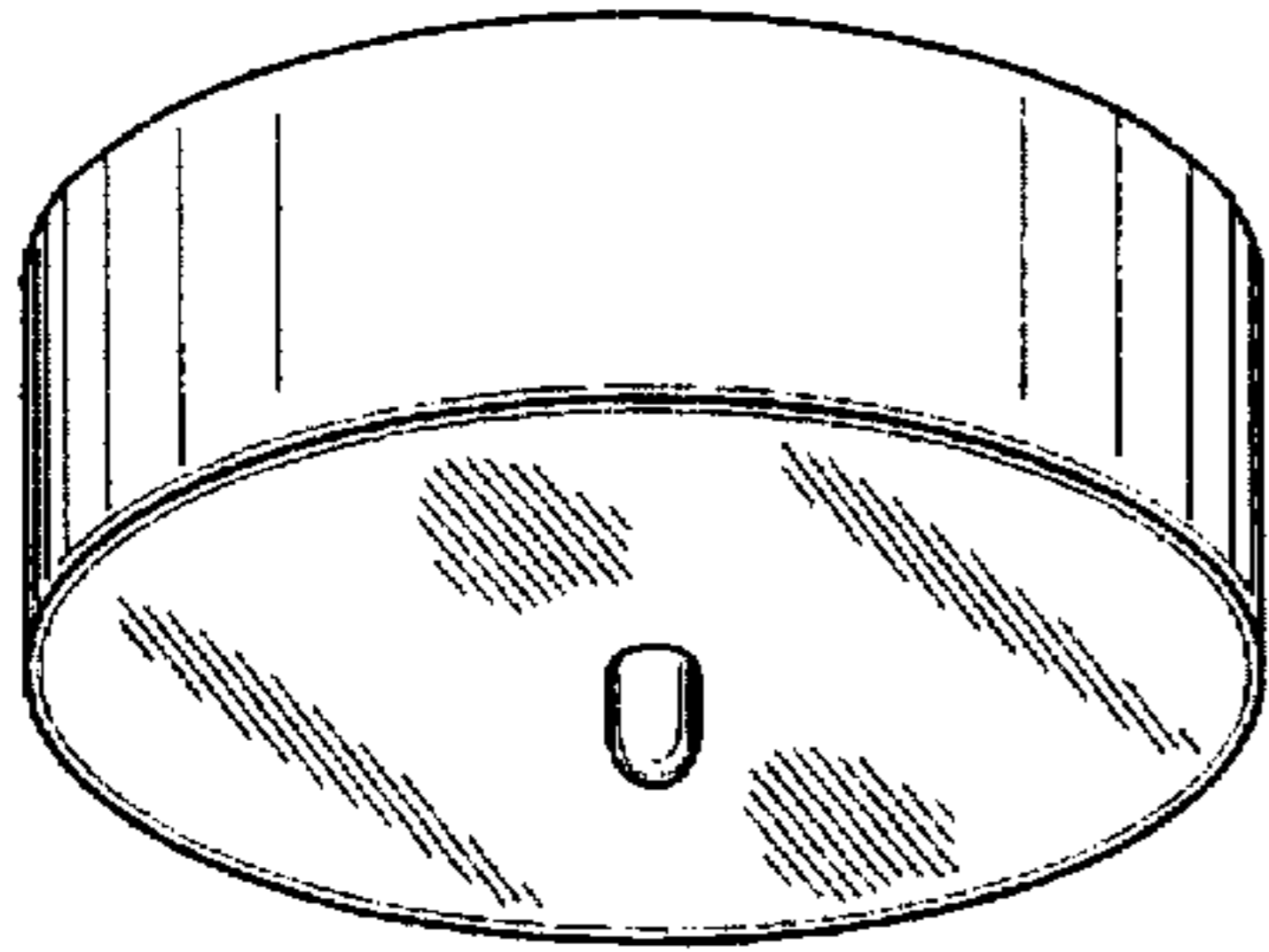


FIG. 7

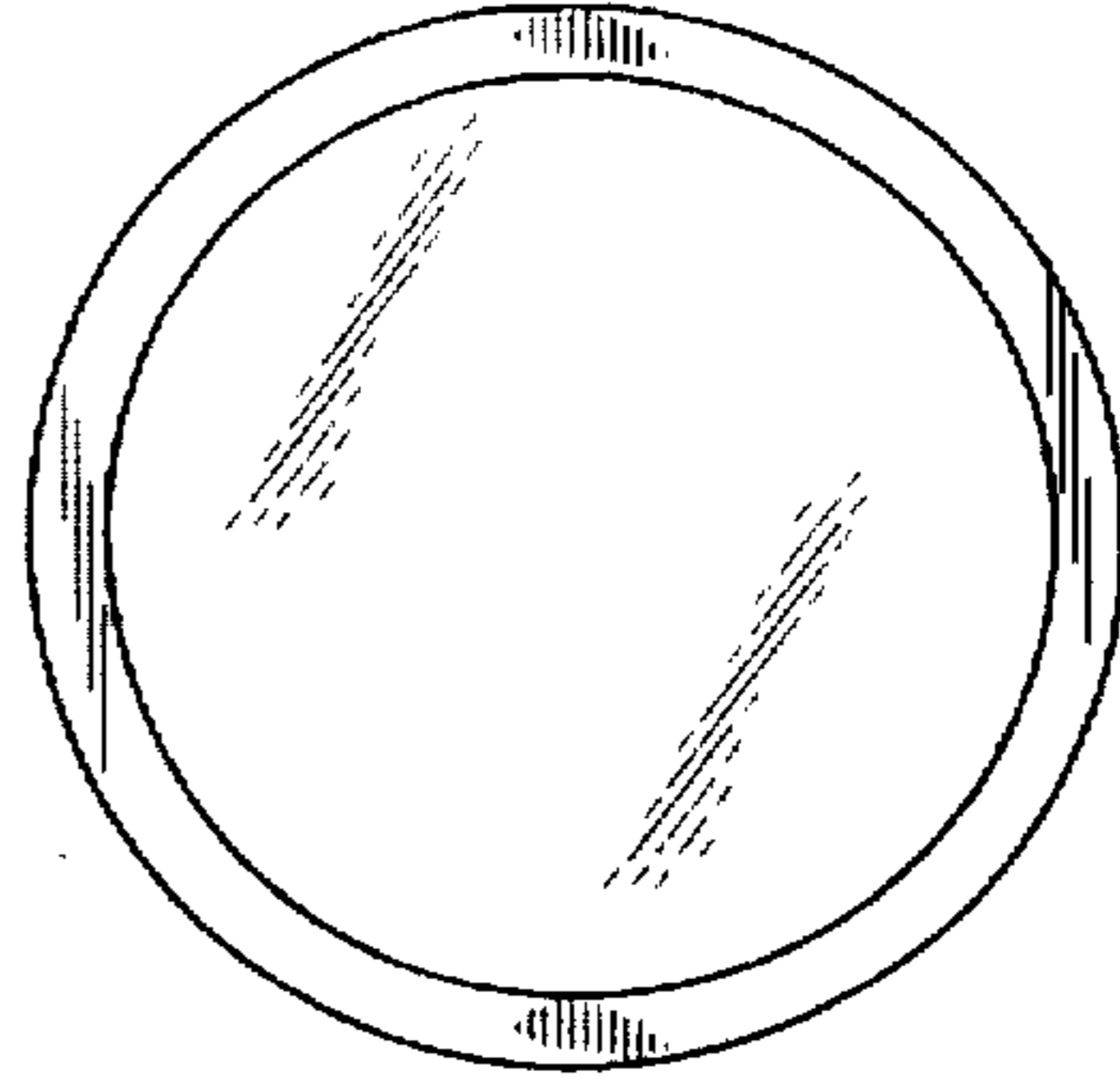


FIG. 8

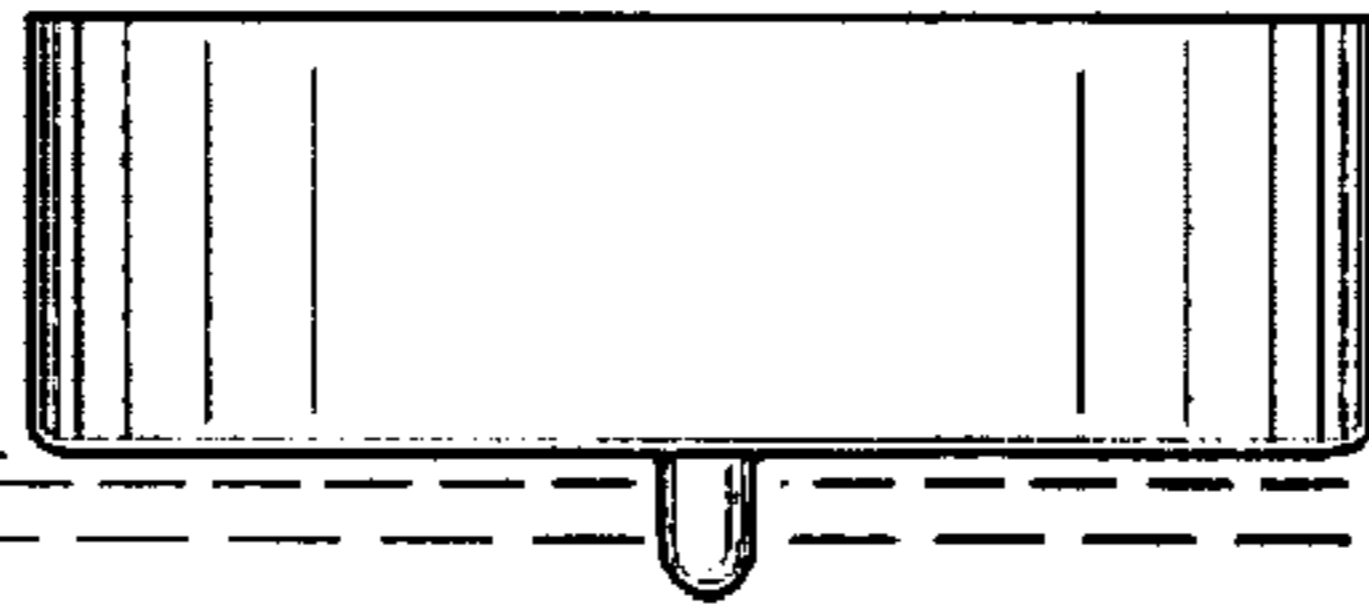


FIG. 9

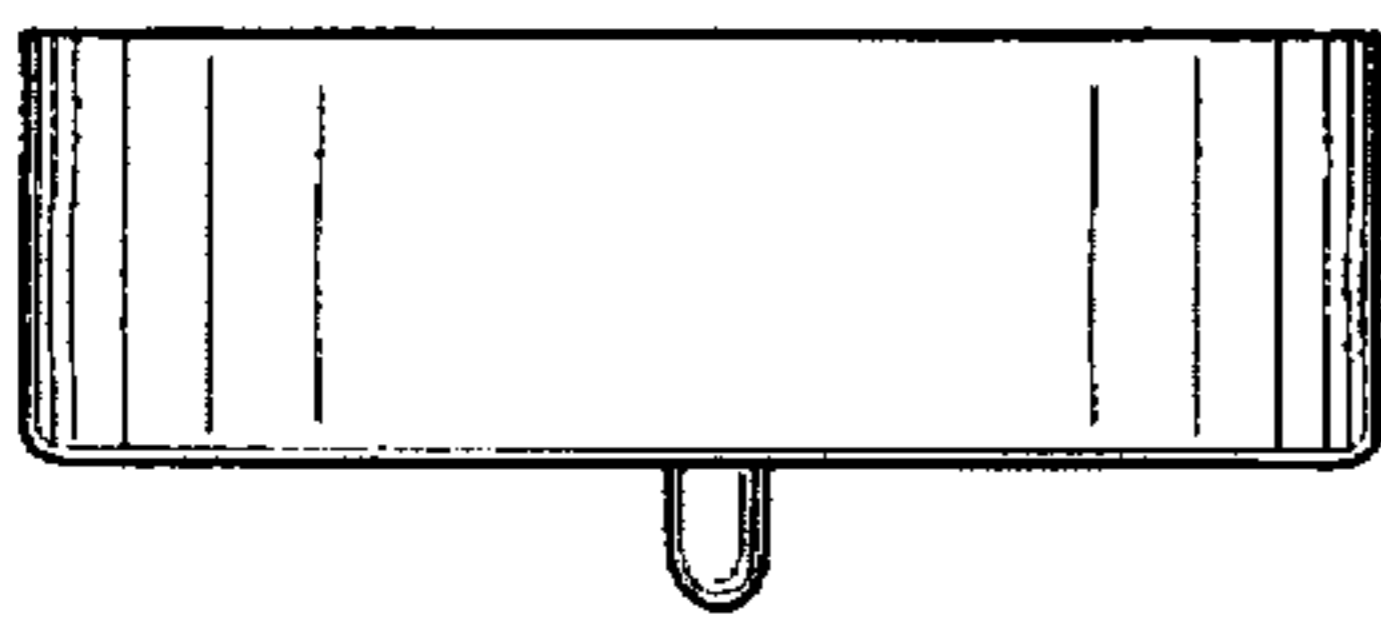


FIG. 10

