



US00D397228S

United States Patent [19]

[11] Patent Number: Des. 397,228

Bell et al.

[45] Date of Patent: **Aug. 18, 1998

[54] STEP LADDER

[75] Inventors: **Randall Bell**, River Forest; **Walter Herbst**, Lake Forest, both of Ill.; **Eric C. Horne**; **Edward E. Heald**, both of Greenville, Pa.

[73] Assignee: **Werner Co.**, Greenville, Pa.

[**] Term: **14 Years**

[21] Appl. No.: **71,723**

[22] Filed: **Jun. 5, 1997**

[51] LOC (6) Cl. **25-04**

[52] U.S. Cl. **D25/65**

[58] Field of Search D25/62, 65; 182/26, 182/33, 33.2

[56] References Cited

U.S. PATENT DOCUMENTS

D. 236,244	8/1975	Lary	D25/65
4,205,411	6/1980	Cupp et al. .	
4,276,955	7/1981	Hickman	182/33
4,485,892	12/1984	Maloney et al. .	
4,557,350	12/1985	Wang	182/33
4,653,713	3/1987	Hamilton .	
4,706,918	11/1987	Wilson .	
4,730,802	3/1988	Chatham et al. .	
4,979,590	12/1990	Bailey .	
5,370,263	12/1994	Brown .	
5,421,429	6/1995	Evans .	
5,542,535	8/1996	Dalton .	
5,542,553	8/1996	Penniman .	

FOREIGN PATENT DOCUMENTS

2093516	2/1982	United Kingdom .
2192025	12/1987	United Kingdom .

OTHER PUBLICATIONS

Cosco brochure, ladder model No. 11-740 "Tri Step Work Platform" (1995).
Cosco brochure, ladder model No. 11-780 "Pro Step" (1995).

Cosco brochure, "Pro Fold" ladder (1995).
Cosco brochure, ladder model No. 11-725 (1995).
Cosco brochure, ladder models 11-300 and 11-307 (1995).
Cosco brochure, ladder models 11-135 and 11-302 (1995).
U.S. Design Patent Application No. 29/048,682 Patent #D388882 Patent date Jan. 6, 1998.

Primary Examiner—Doris Clark
Attorney, Agent, or Firm—Howrey & Simon

[57] CLAIM

The ornamental design for a step ladder, as shown and described.

DESCRIPTION

FIG. 1 is perspective view of a first embodiment of the invention;

FIG. 2 is a front view thereof;

FIG. 3 is a rear view thereof;

FIG. 4 is a left side view thereof, being the mirror of the right side view; and,

FIG. 5 is a top view thereof;

FIG. 6 is a perspective view of a second embodiment of the invention;

FIG. 7 is a front view thereof;

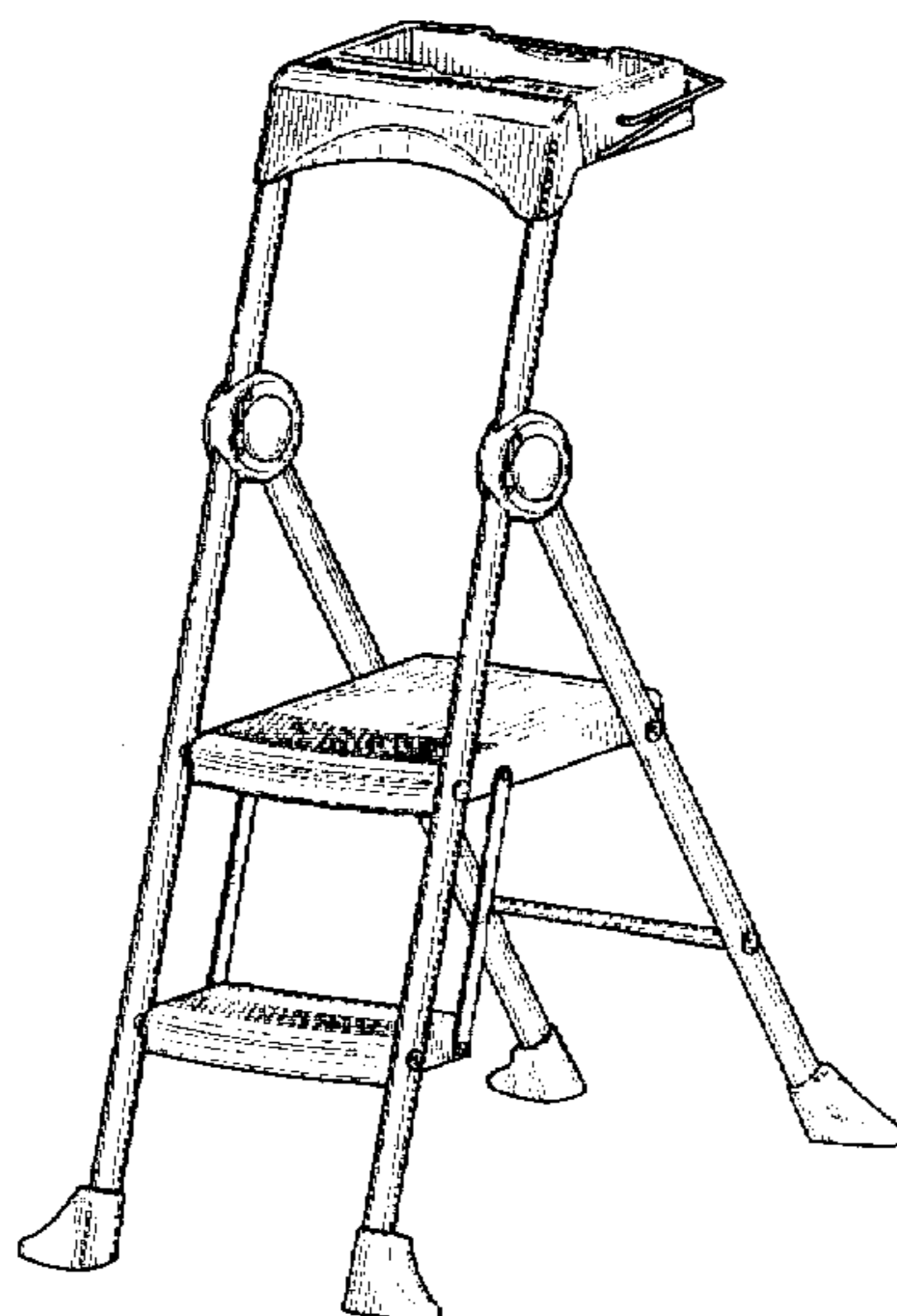
FIG. 8 is a rear view thereof;

FIG. 9 is a left side view thereof, being the mirror of the right side view; and,

FIG. 10 is a top view thereof; and,

FIG. 11 is a perspective view of a third embodiment of the present invention, the top, left, and rear being substantially consistent with the top, left, and rear of the step ladder of the first embodiment.

1 Claim, 11 Drawing Sheets



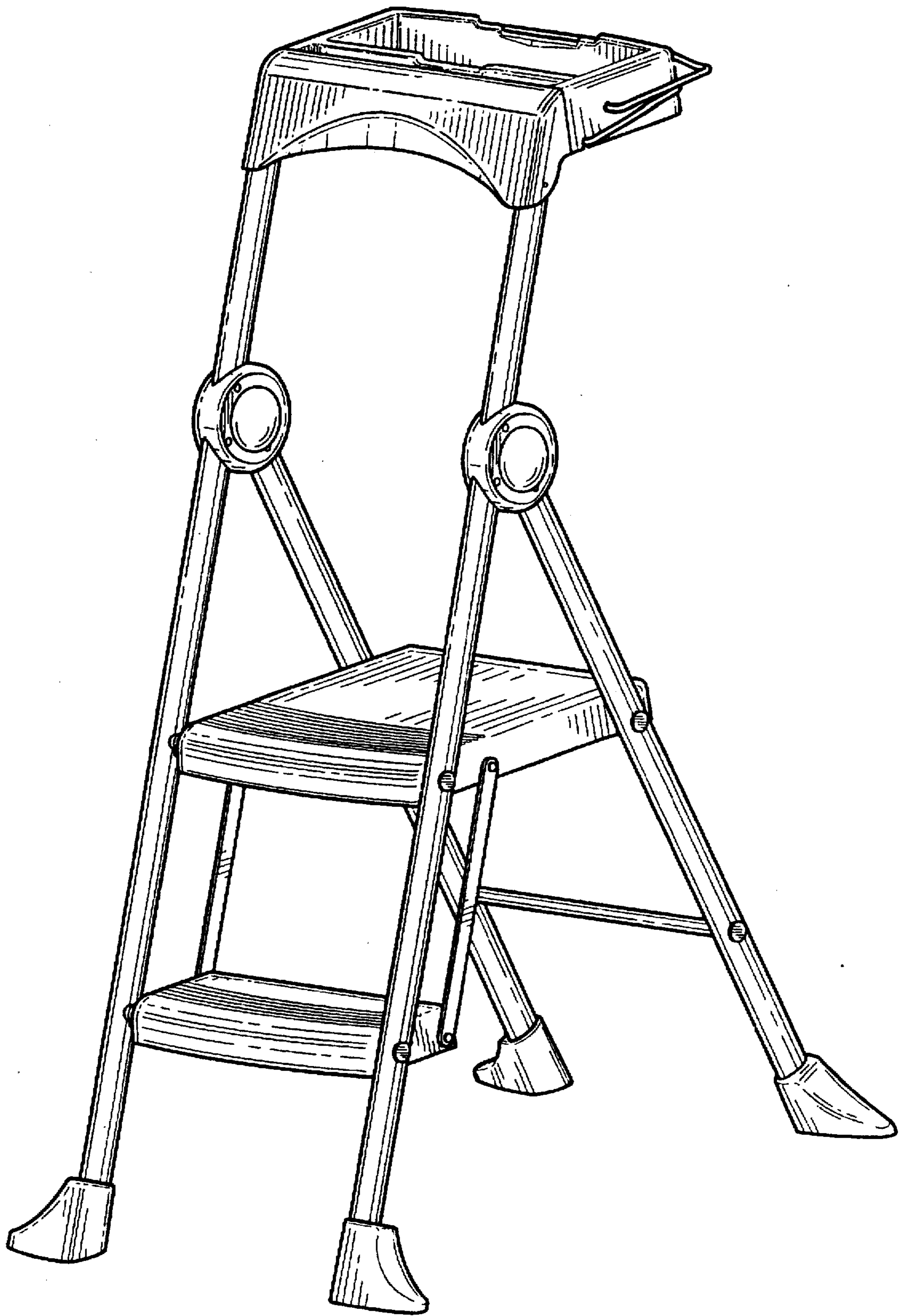


FIG. 1

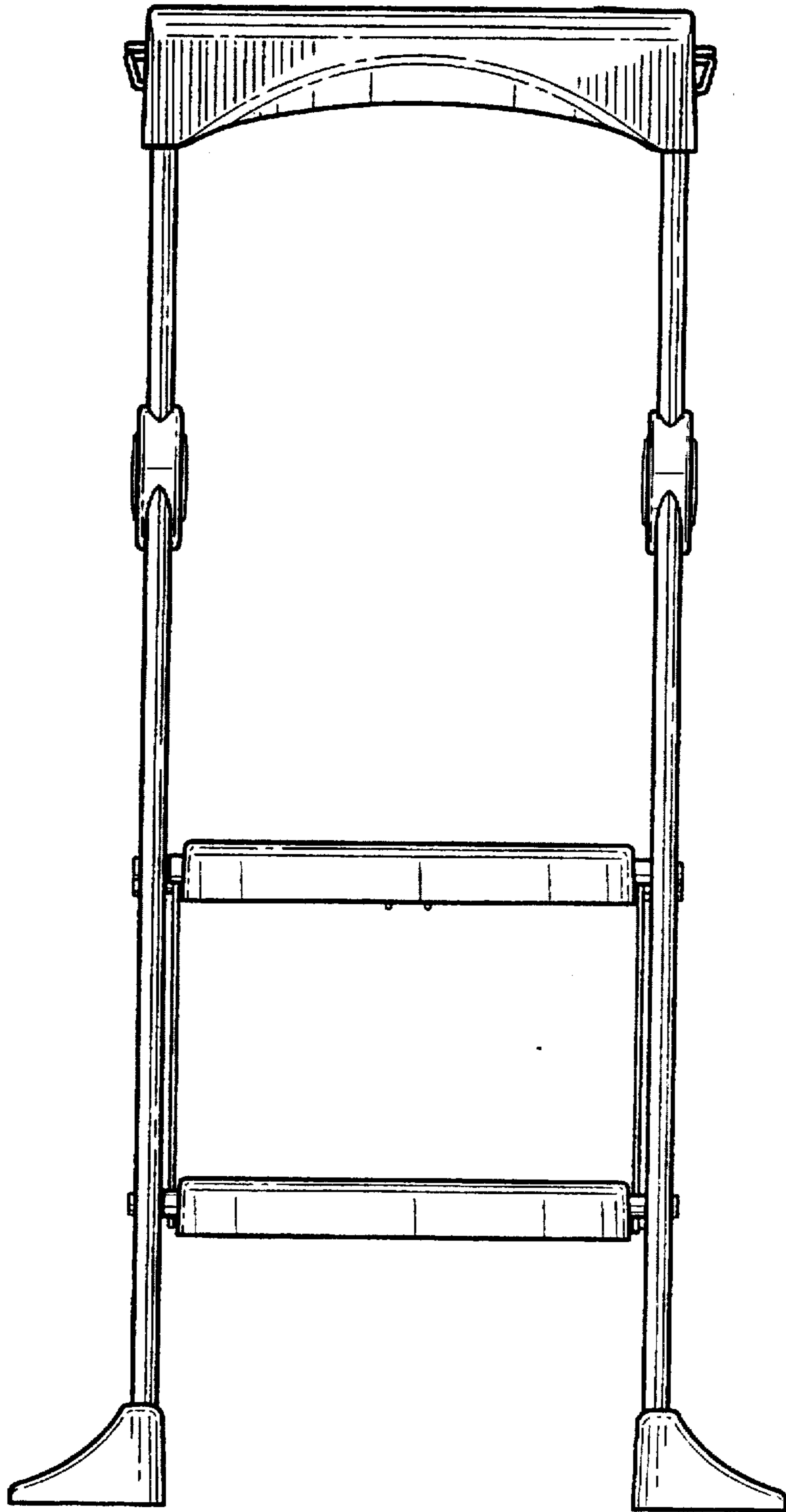


FIG. 2

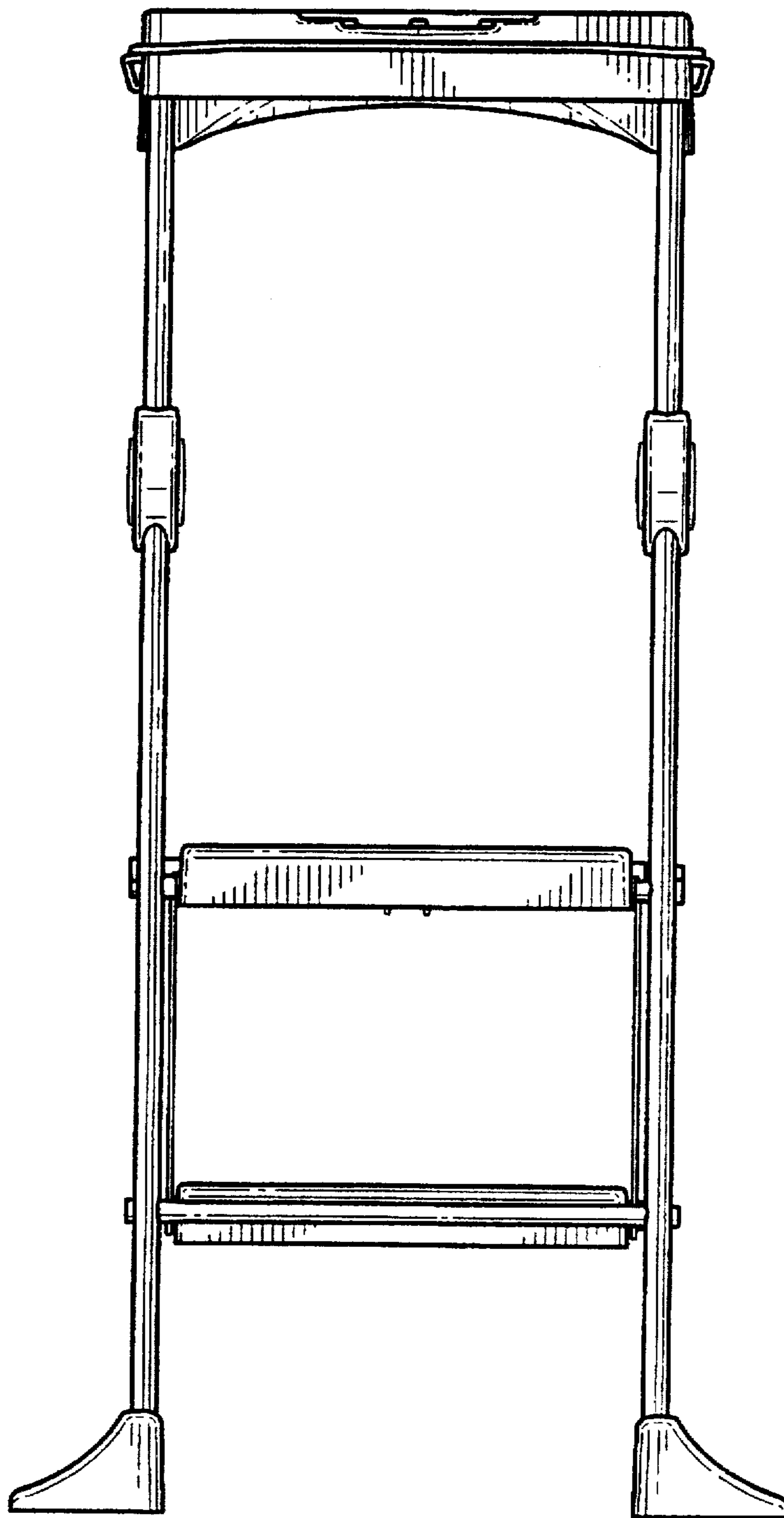


FIG.3

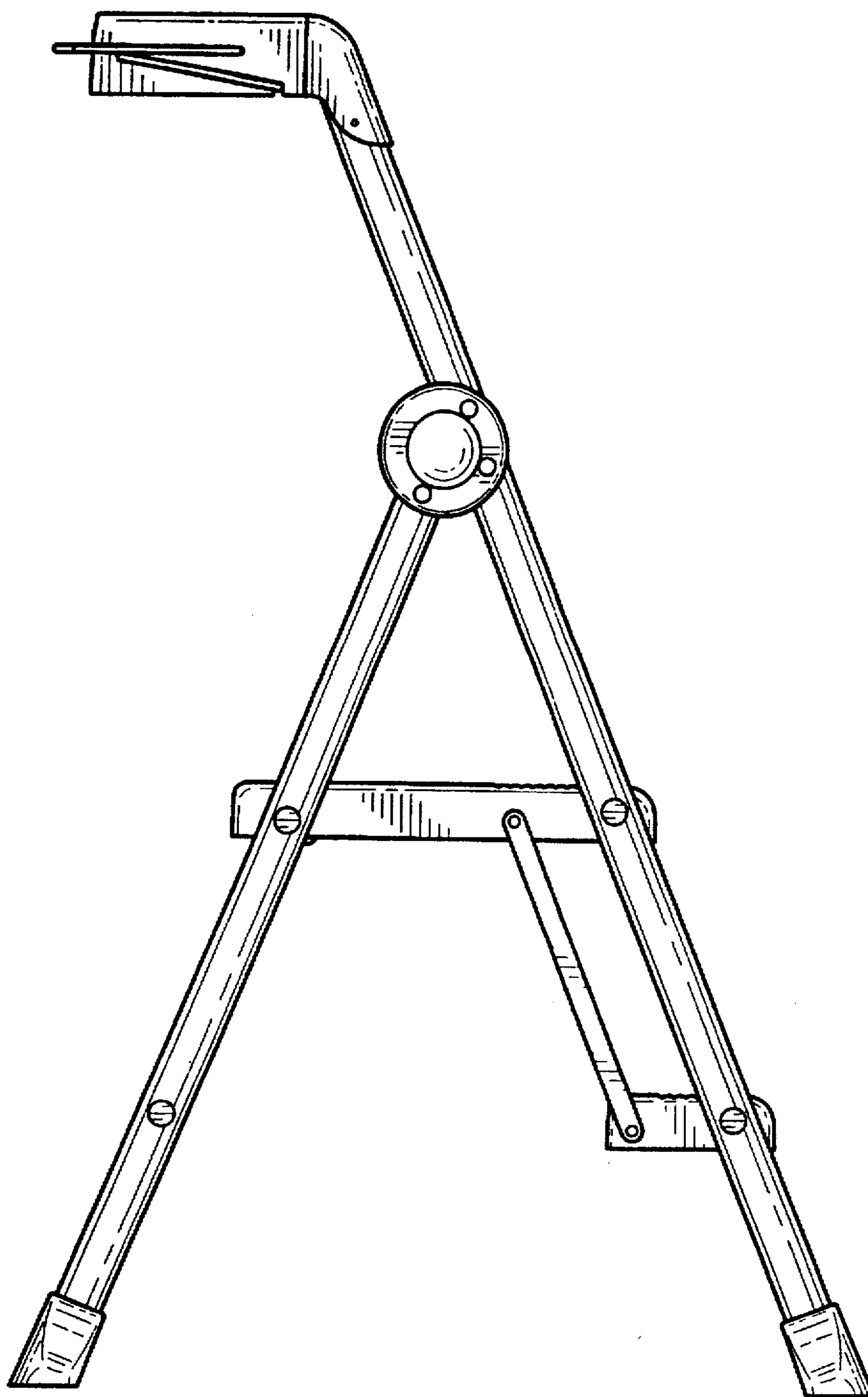


FIG.4

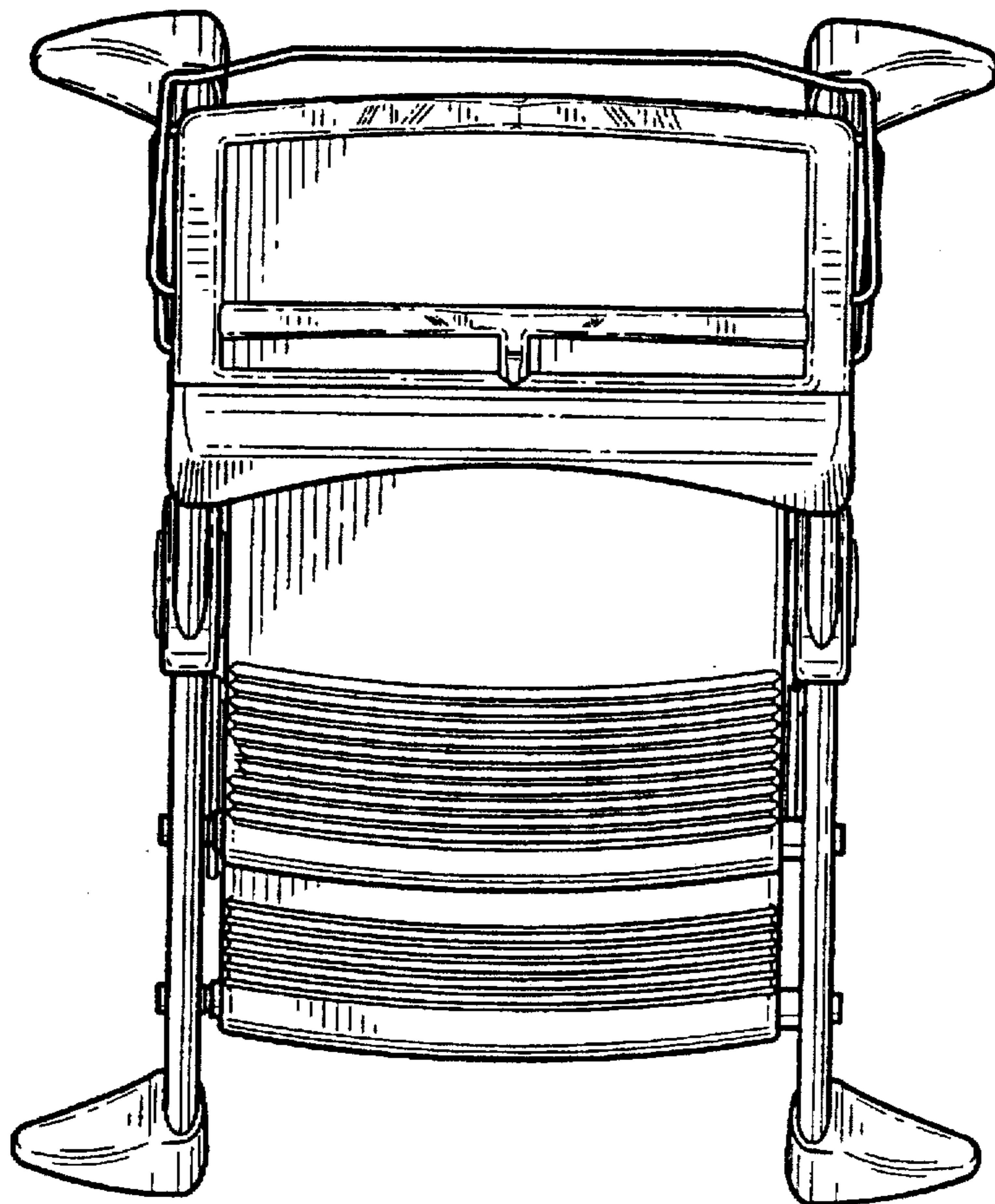


FIG.5

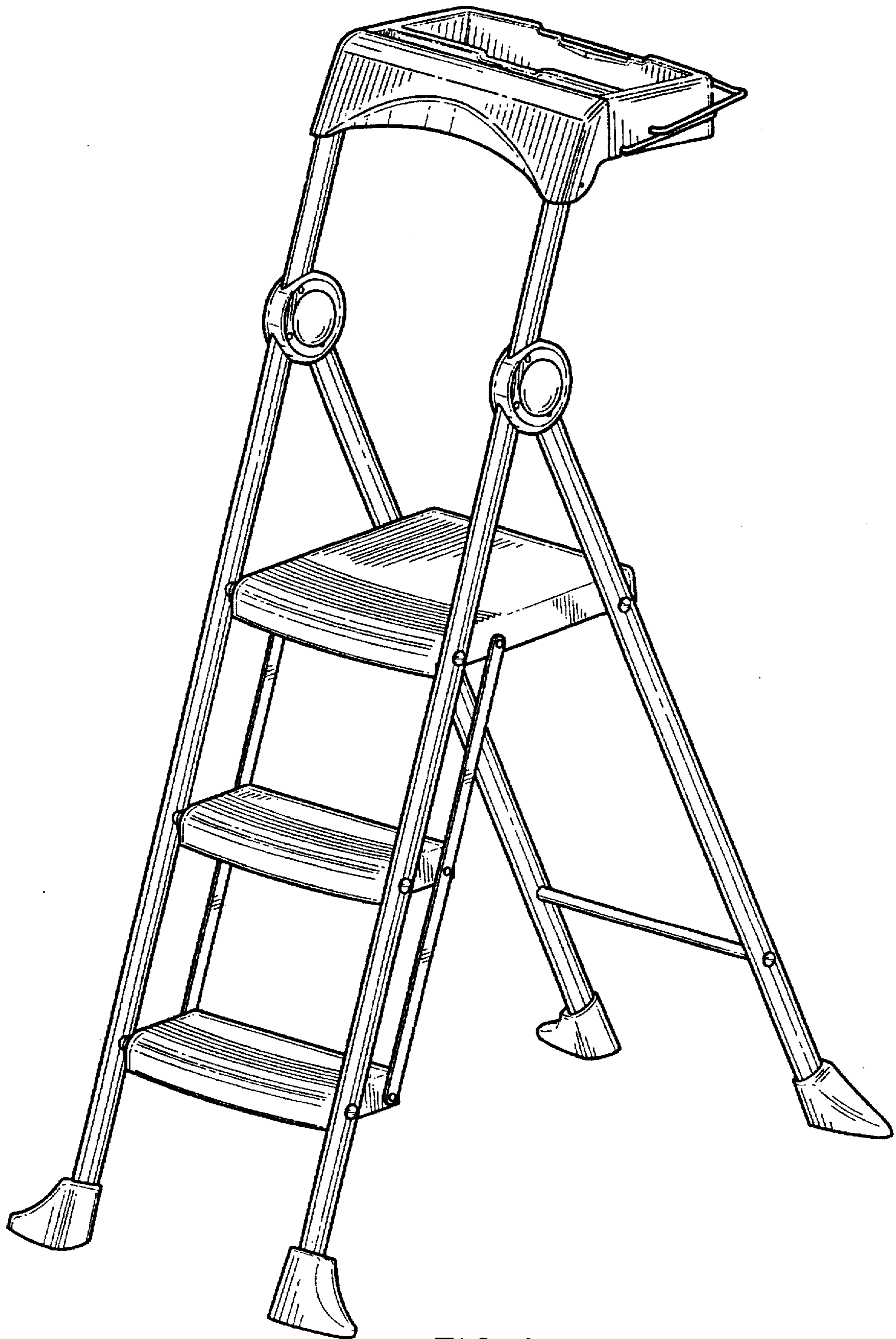


FIG. 6

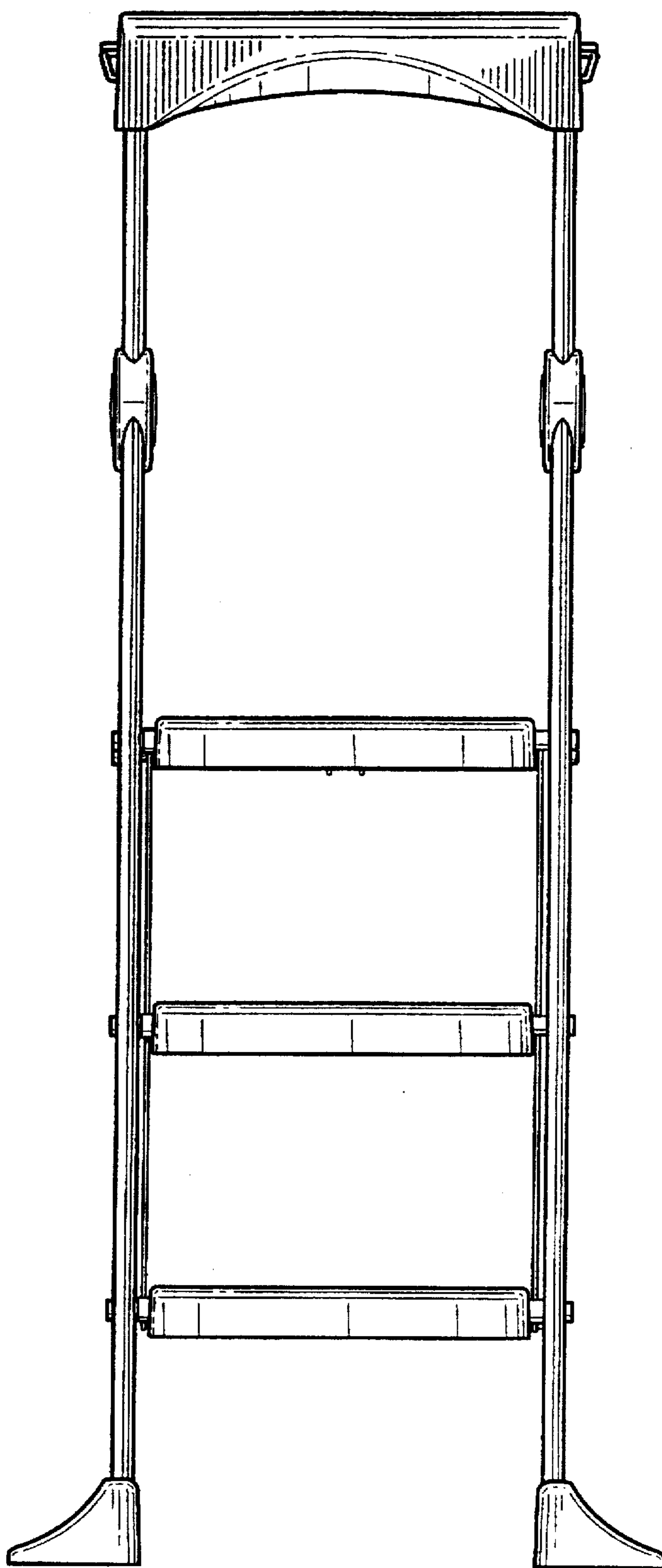


FIG. 7

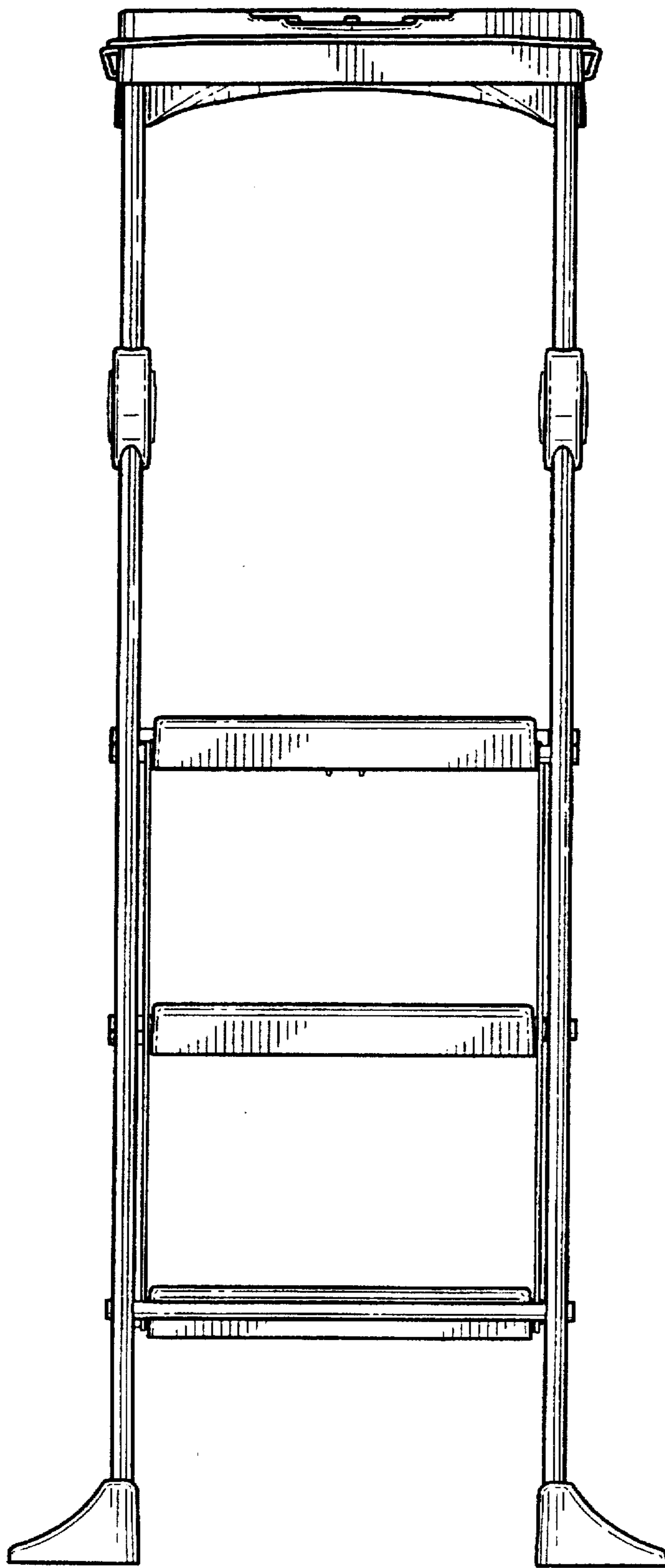


FIG.8

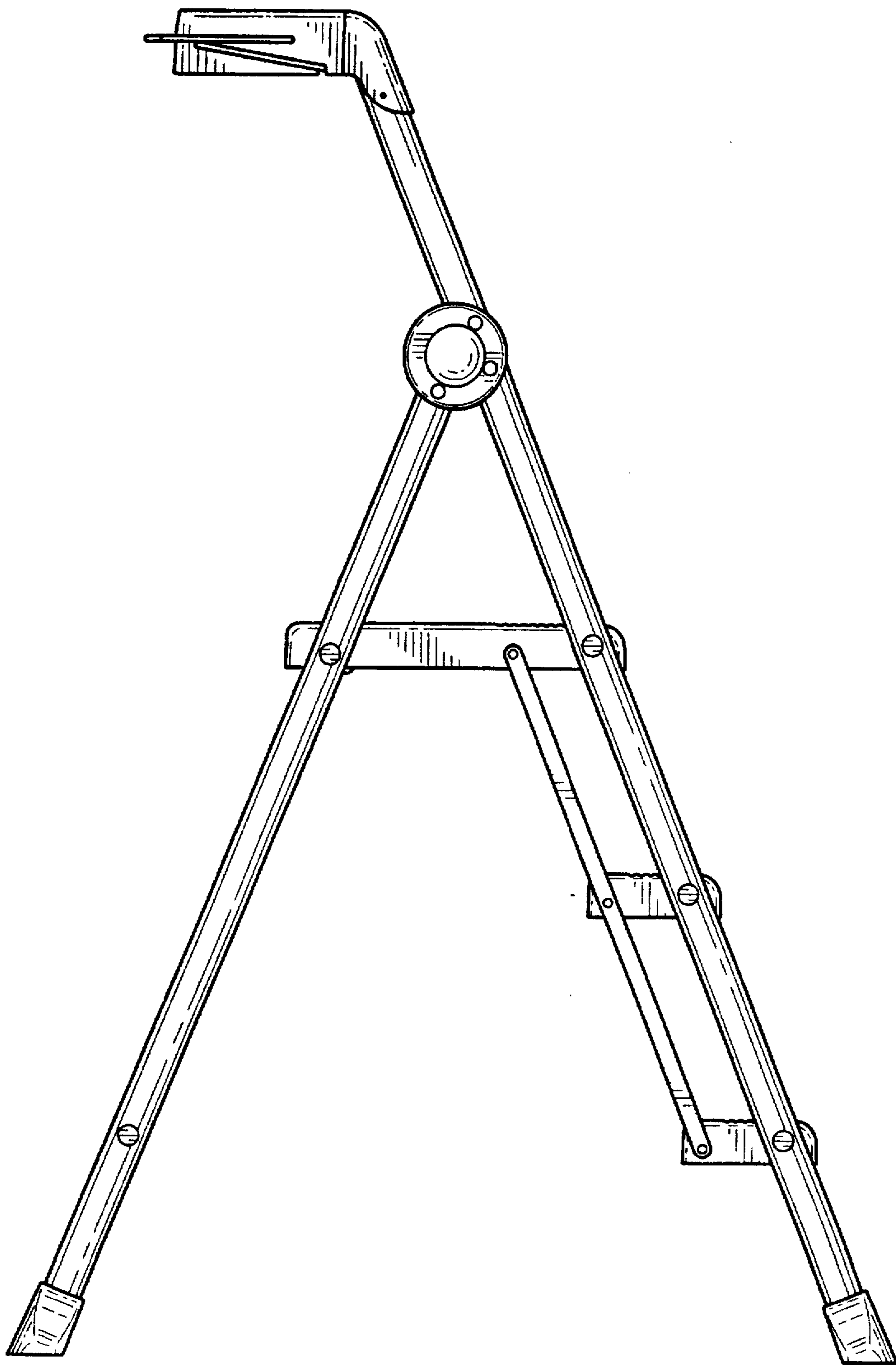


FIG.9

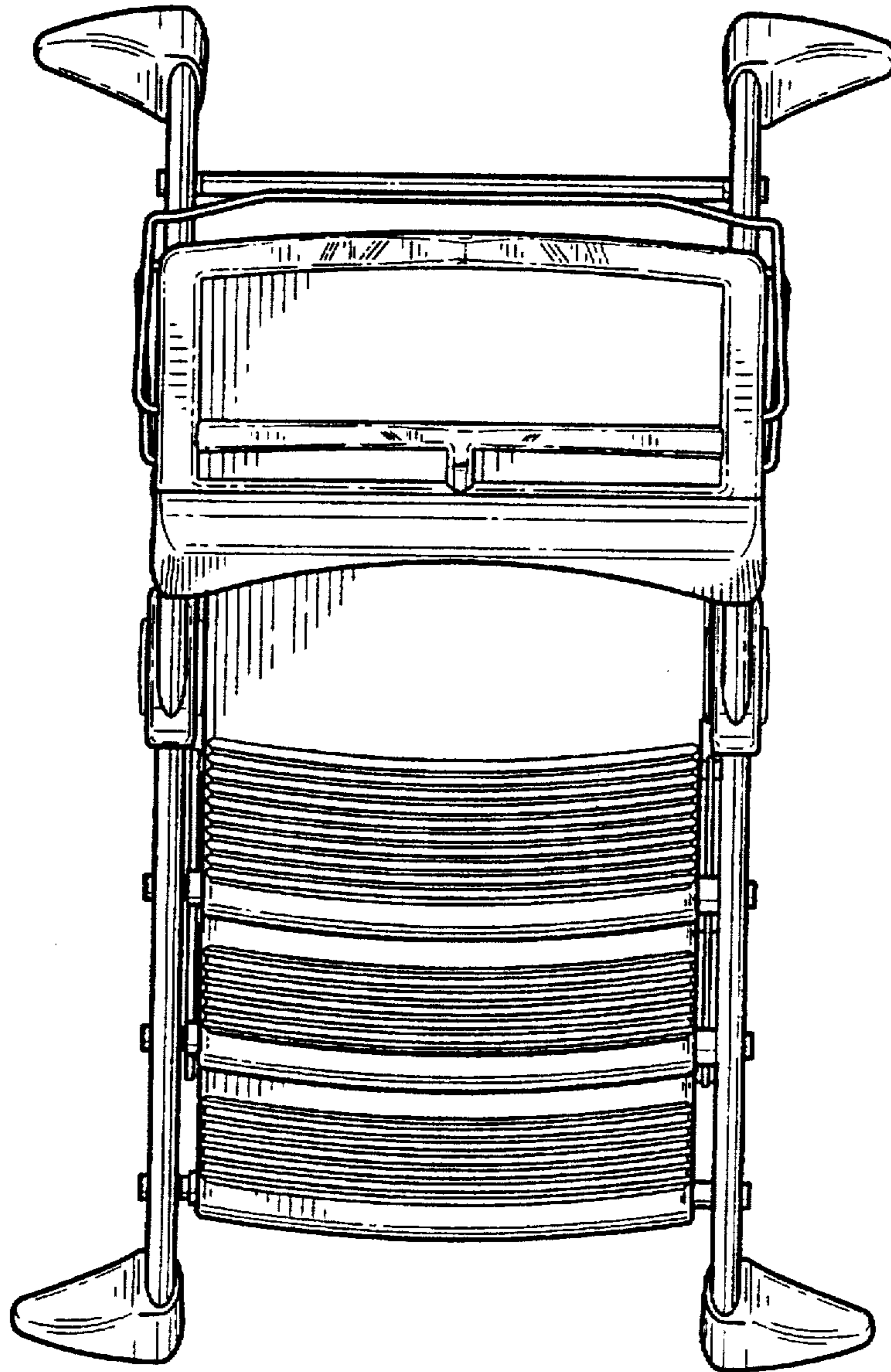


FIG.10

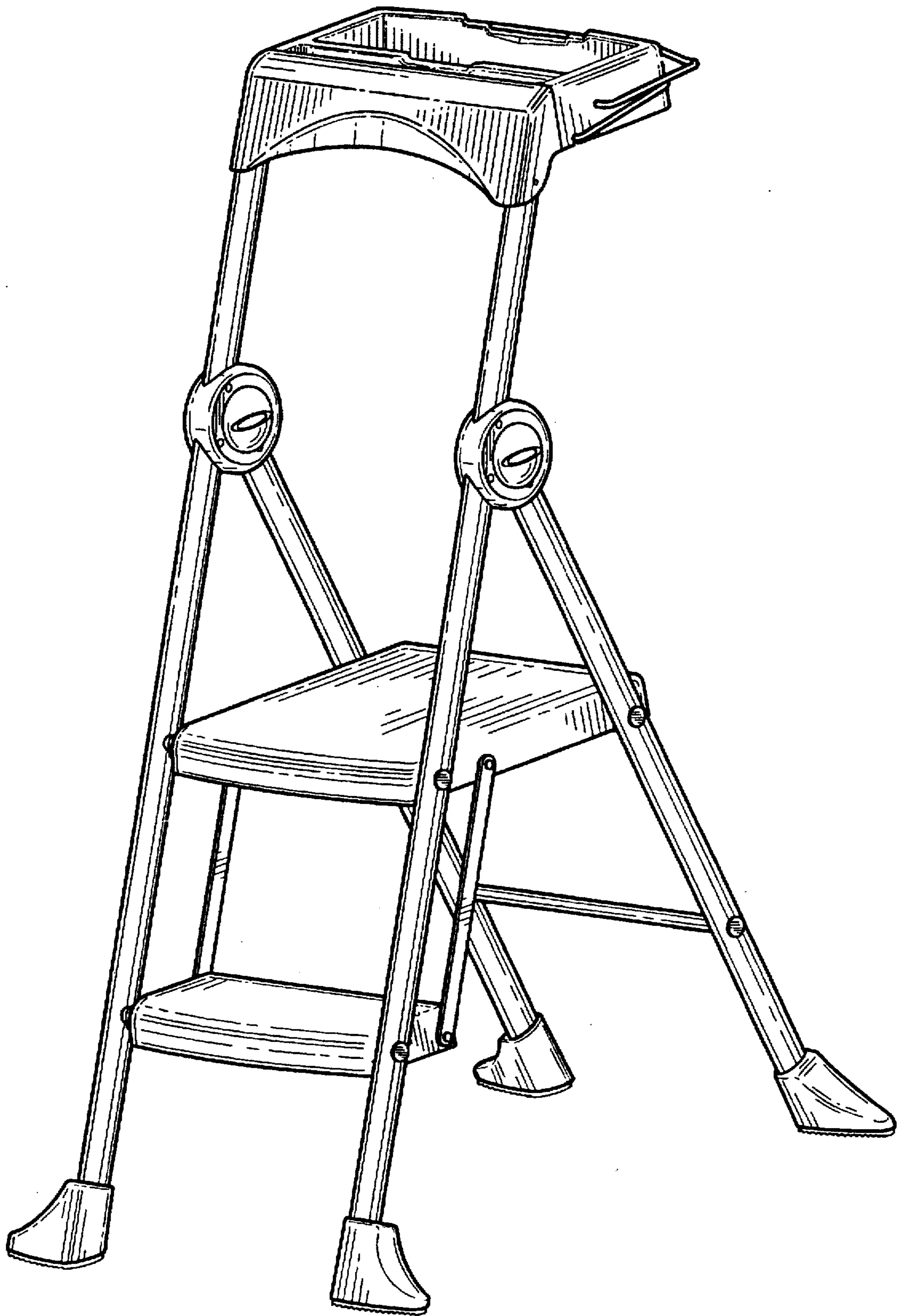


FIG. 11