



US00D397226S

United States Patent [19]

Kelly et al.

[11] Patent Number: Des. 397,226

[45] Date of Patent: **Aug. 18, 1998

[54] **RIBBED COLLECTION TUBE**

[75] Inventors: **Karin E. Kelly**, Hoboken; **Gary R. Henniger**, Wayne, both of N.J.

[73] Assignee: **Becton, Dickinson and Company**, Franklin Lakes, N.J.

[**] Term: **14 Years**

[21] Appl. No.: **60,543**

[22] Filed: **Sep. 30, 1996**

[51] LOC (6) Cl. **24-01**

[52] U.S. Cl. **D24/224**

[58] Field of Search D24/224; 422/99, 422/102, 73, 916, 913; 435/165

[56] **References Cited**

U.S. PATENT DOCUMENTS

D. 209,822 1/1968 Alliger D24/224

D. 246,800	12/1977	Wong	D24/224
D. 325,444	4/1992	Murashita et al.	D24/224
3,017,050	1/1962	Barr, Sr. et al.	215/247
3,322,114	5/1967	Portnoy et al.	422/102 X
4,278,437	7/1981	Haggar	422/102 X

Primary Examiner—Stella Reid
Attorney, Agent, or Firm—Nanette S. Thomas

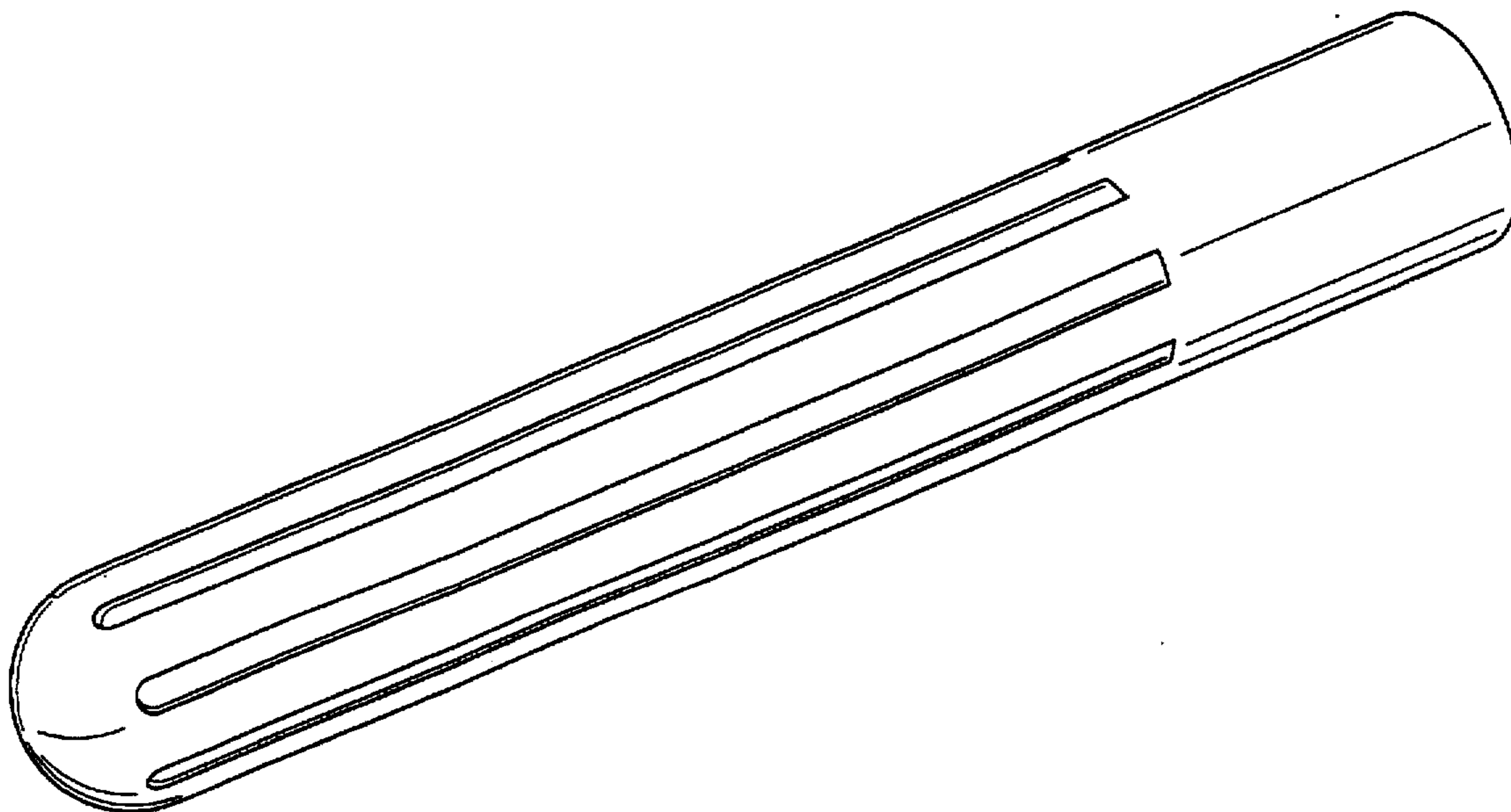
[57] **CLAIM**

The ornamental design for a ribbed collection tube, as shown and described.

DESCRIPTION

FIG. 1 is a perspective view of the ribbed collection tube; FIG. 2 is a side elevational view; FIG. 3 is a bottom plan view of the collection tube of FIG. 2; and, FIG. 4 is a top plan view of the collection tube of FIG. 2. The undisclosed sides of FIG. 2 are identical to that shown.

1 Claim, 2 Drawing Sheets



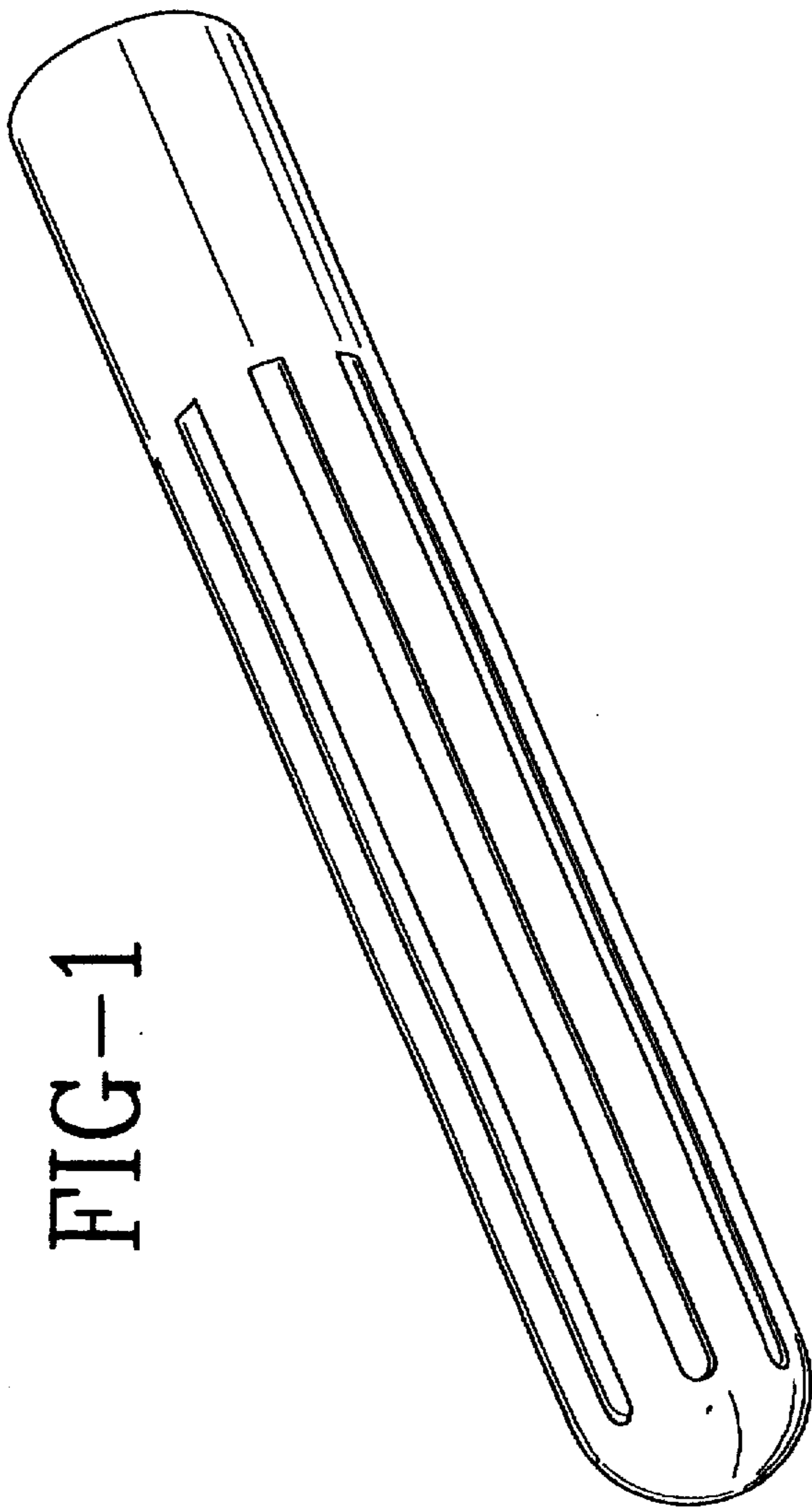


FIG-2

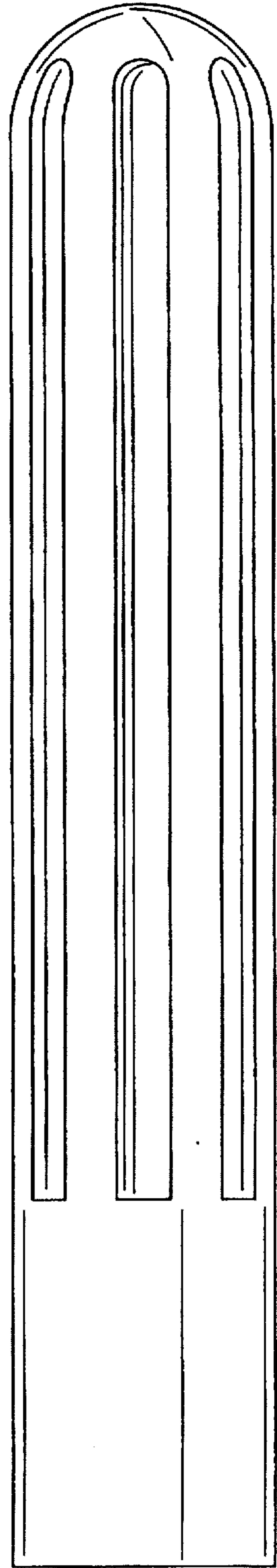


FIG-4

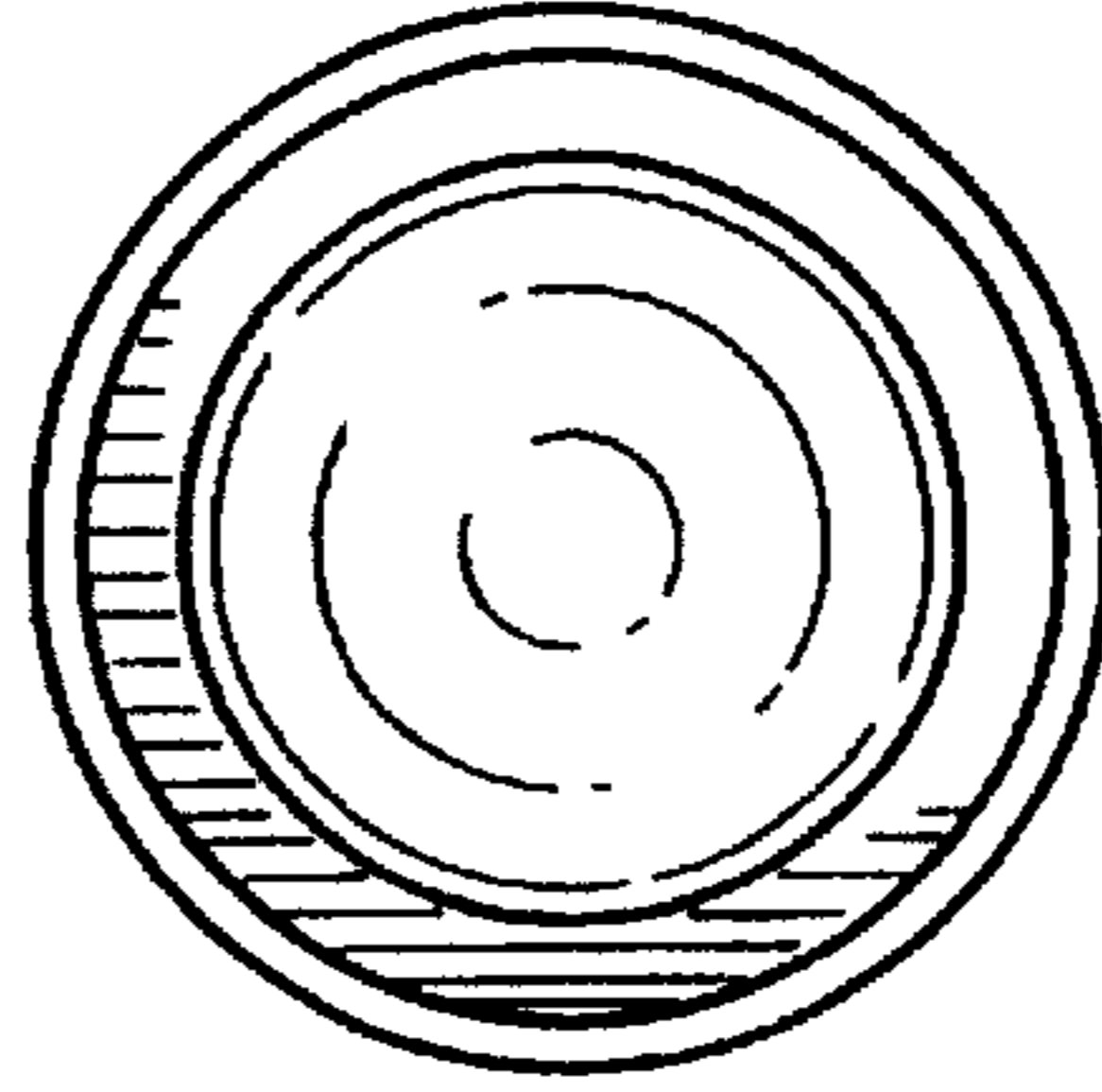


FIG-3

