



US00D397224S

# United States Patent [19]

Wollman

[11] Patent Number: **Des. 397,224**

[45] Date of Patent: **\*\*Aug. 18, 1998**

[54] FINGER MASSAGER

[75] Inventor: **Matt J. Wollman**, North Hollywood, Calif.

[73] Assignee: **HWE, Inc.**, North Hollywood, Calif.

[\*\*] Term: **14 Years**

[21] Appl. No.: **37,560**

[22] Filed: **Apr. 17, 1995**

[51] LOC (6) Cl. .... **24-02**

[52] U.S. Cl. .... **D24/214**

[58] Field of Search ..... D24/214, 200;  
601/136, 137, 74

[56] **References Cited**

**U.S. PATENT DOCUMENTS**

1,857,982 5/1932 Shelton ..... 601/74  
2,324,337 7/1943 Jomsland ..... 601/74

3,461,859 8/1969 Fortnam ..... 601/74  
3,623,481 11/1971 Curran ..... 601/136 X  
5,382,222 1/1995 Yih-Jong ..... 601/137 X

*Primary Examiner*—Stella Reid  
*Attorney, Agent, or Firm*—Michael A. Painter

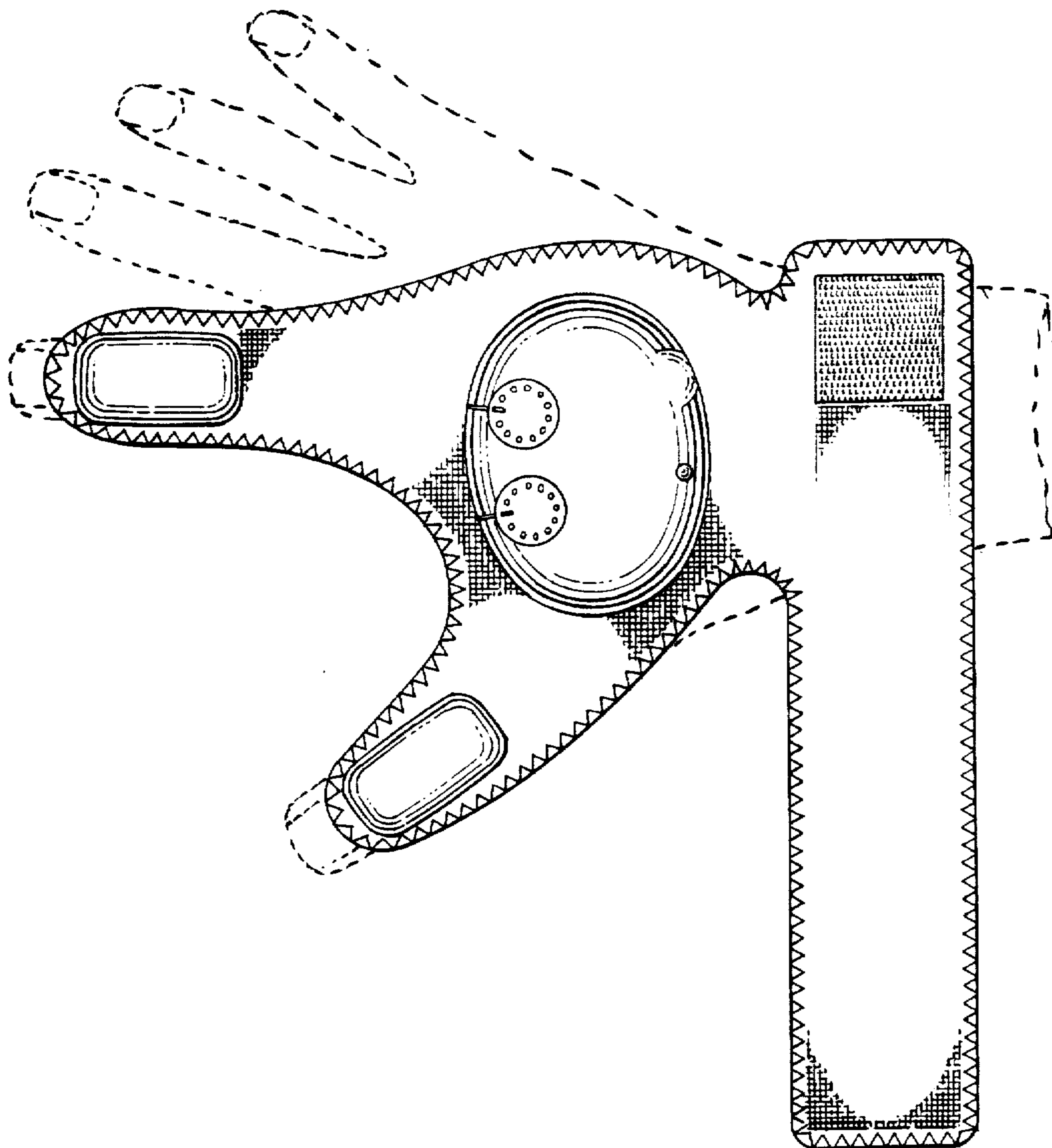
[57] **CLAIM**

The ornamental design for a finger massager, as shown.

**DESCRIPTION**

FIG. 1 is a top plan view of a finger massager illustrating my new design;  
FIG. 2 is a left side elevation view thereof;  
FIG. 3 is a bottom plan view thereof;  
FIG. 4 is a rear elevation view thereof;  
FIG. 5 is a front elevation view thereof; and,  
FIG. 6 is a top plan view thereof in use condition, the broken line showing of the hand is for illustrative purposes only and forms no part of the claimed design.

**1 Claim, 3 Drawing Sheets**



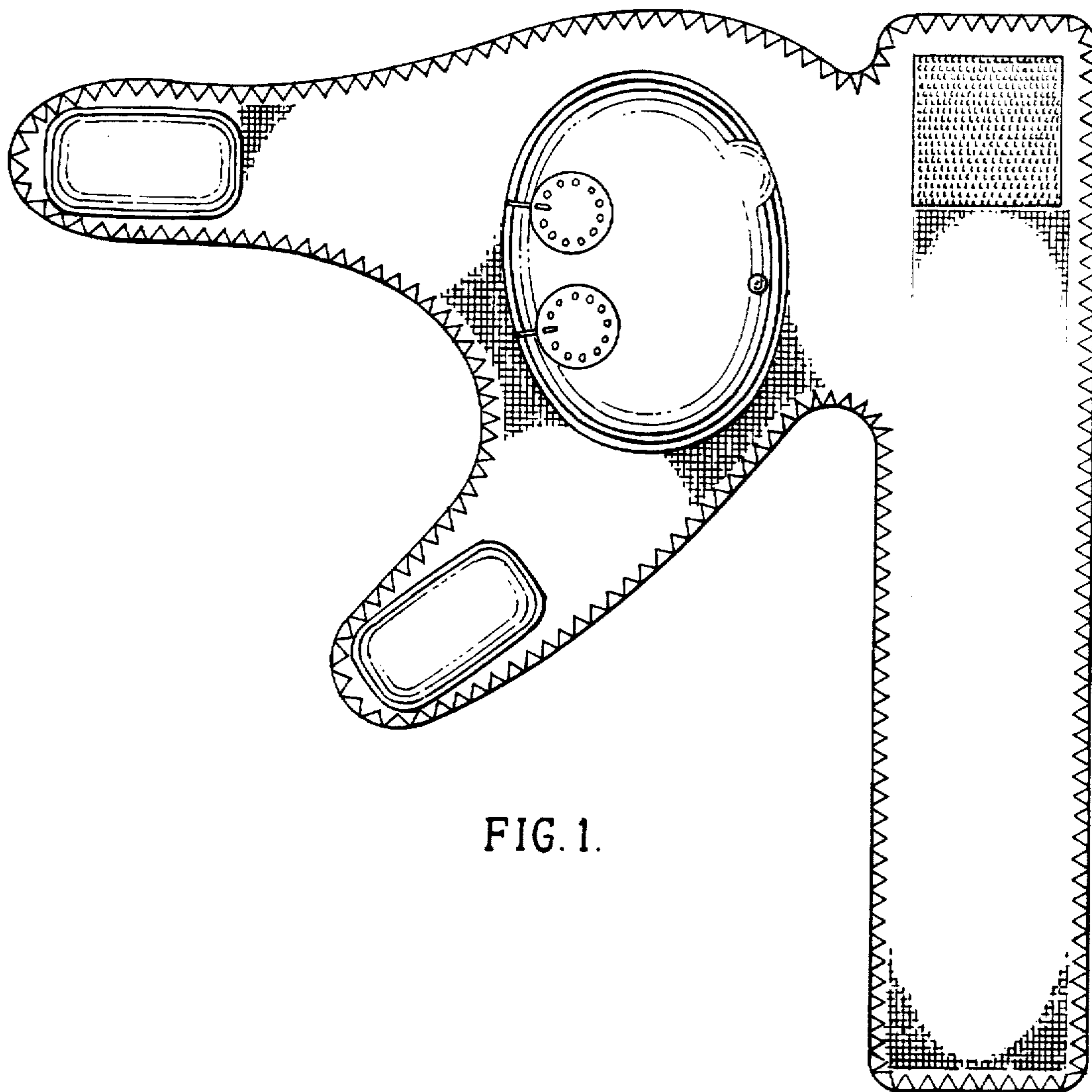


FIG. 1.

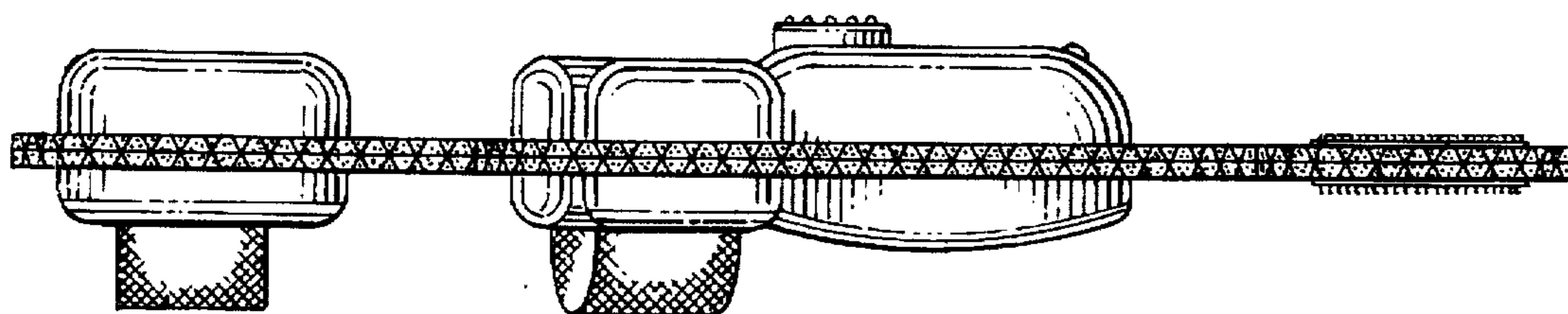


FIG. 2.

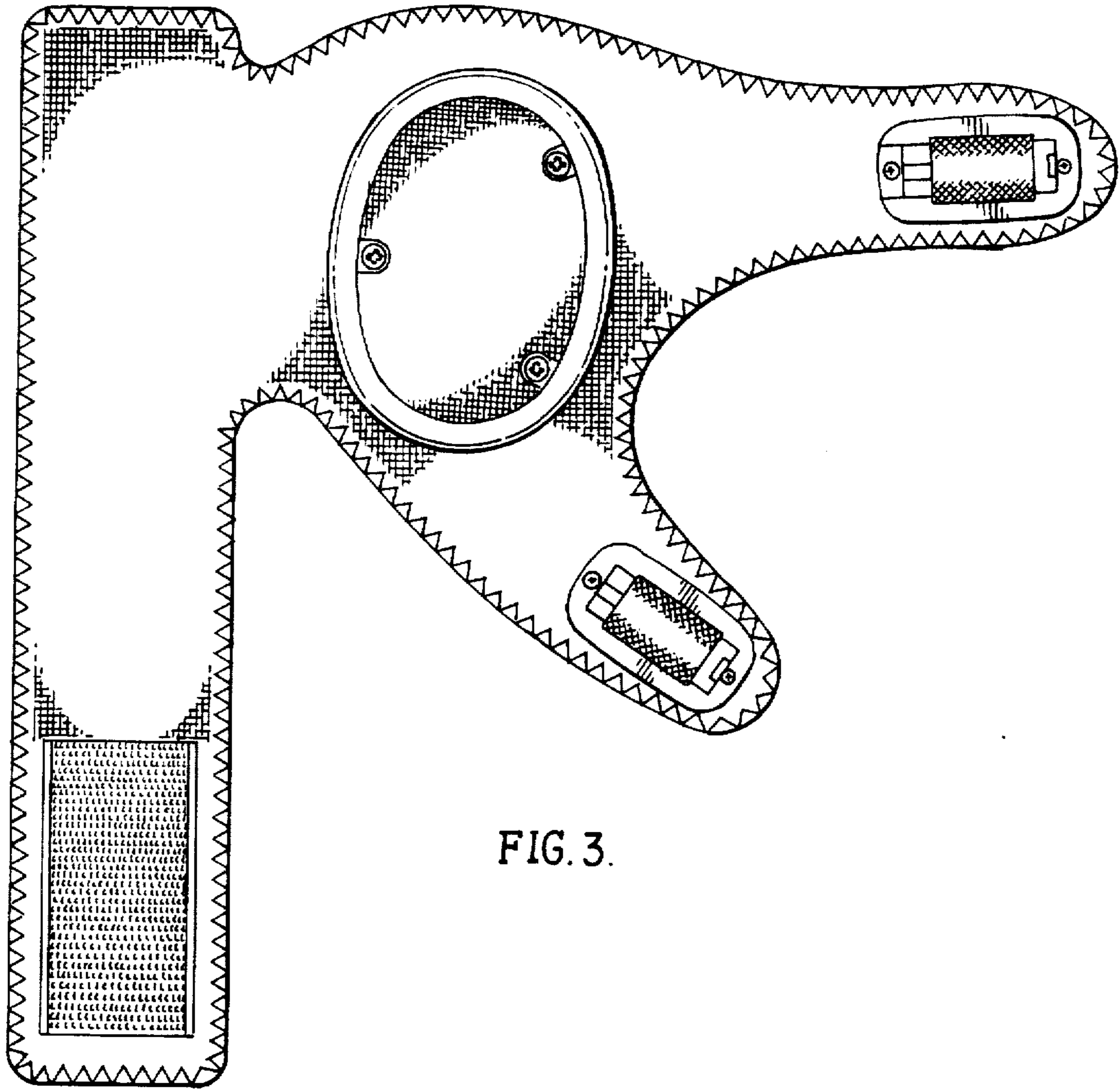


FIG. 3.

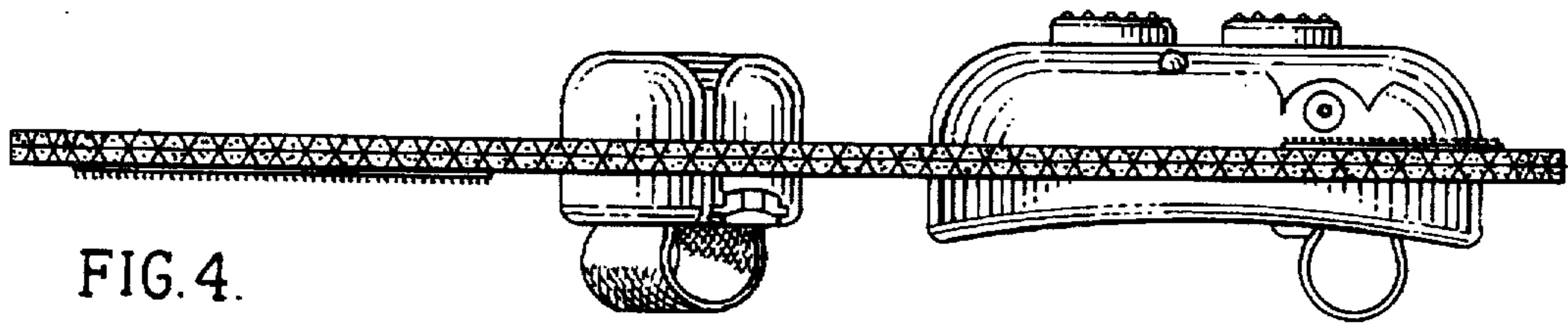


FIG. 4.

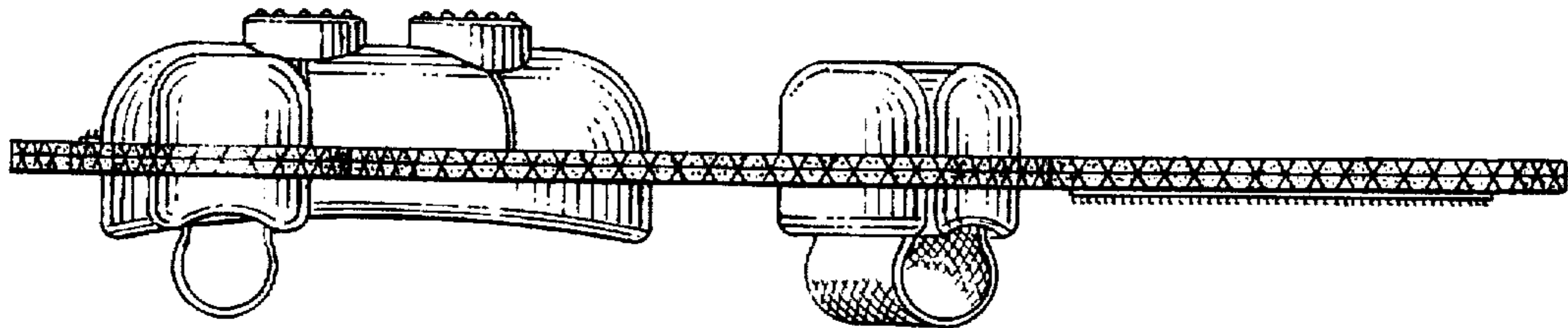


FIG. 5.



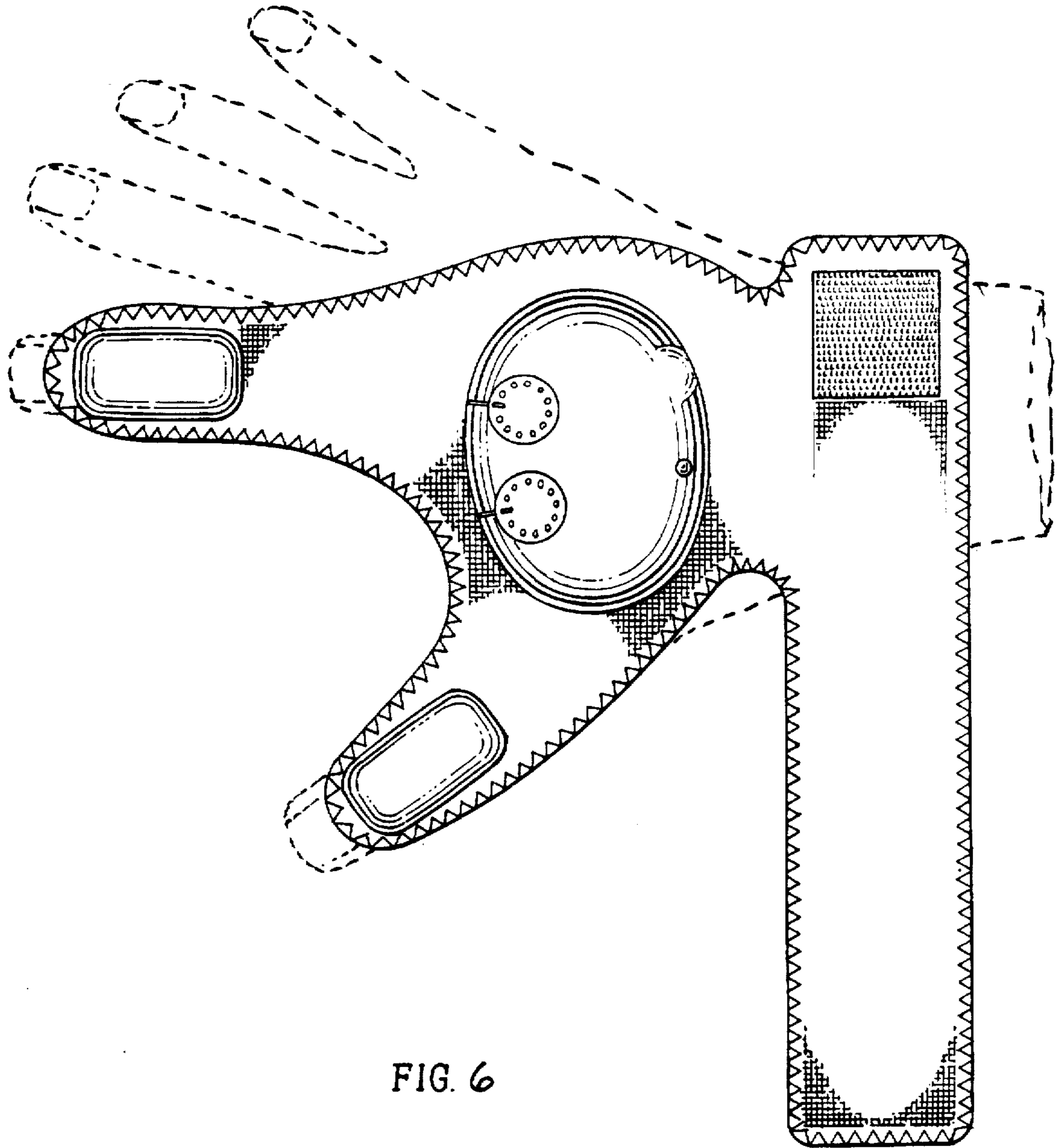


FIG. 6