



US00D397220S

# United States Patent [19]

Kumar et al.

[11] Patent Number: Des. 397,220

[45] Date of Patent: \*\*Aug. 18, 1998

## [54] ORTHOPAEDIC ALIGNMENT TOOL

[75] Inventors: **G. Kris Kumar; David A. Mann**, both of Warsaw, Ind.

[73] Assignee: **Zimmer, Inc.**, Warsaw, Ind.

[\*\*] Term: **14 Years**

[21] Appl. No.: **52,628**

[22] Filed: **Mar. 28, 1996**

[51] LOC (6) Cl. .... **24-02**

[52] U.S. Cl. .... **D24/140**

[58] Field of Search ..... D24/133, 140;  
606/53, 150, 86, 54, 60, 72

## [56] References Cited

### U.S. PATENT DOCUMENTS

D. 230,097	1/1974	Rylee	.....	D83/12 R
D. 249,705	9/1978	London	.....	D24/26
4,722,331	2/1988	Fox	.....	606/86
4,822,362	4/1989	Walker et al.	.....	623/20
5,002,547	3/1991	Poggie et al.	.....	606/88
5,356,414	10/1994	Cohen et al.	.....	606/88
5,462,550	10/1995	Dietz et al.	.....	606/86
5,480,453	1/1996	Burke	.....	623/23
5,484,446	1/1996	Burke et al.	.....	D24/140

## OTHER PUBLICATIONS

Depuy—Synatomic Knee Components—1986.  
 Zimmer, Inc.—Tibial and Femoral Impactors for MG II Knee System—1990.  
 Zimmer, Inc.—Porous MG II Total Knee Cross-Stemmed Tibial Tray—1992.  
 Zimmer, Inc.—Longevity V-Lign Hip Milling Guide—1995.

*Primary Examiner*—Doris Clark  
*Attorney, Agent, or Firm*—Margaret L. Geringer

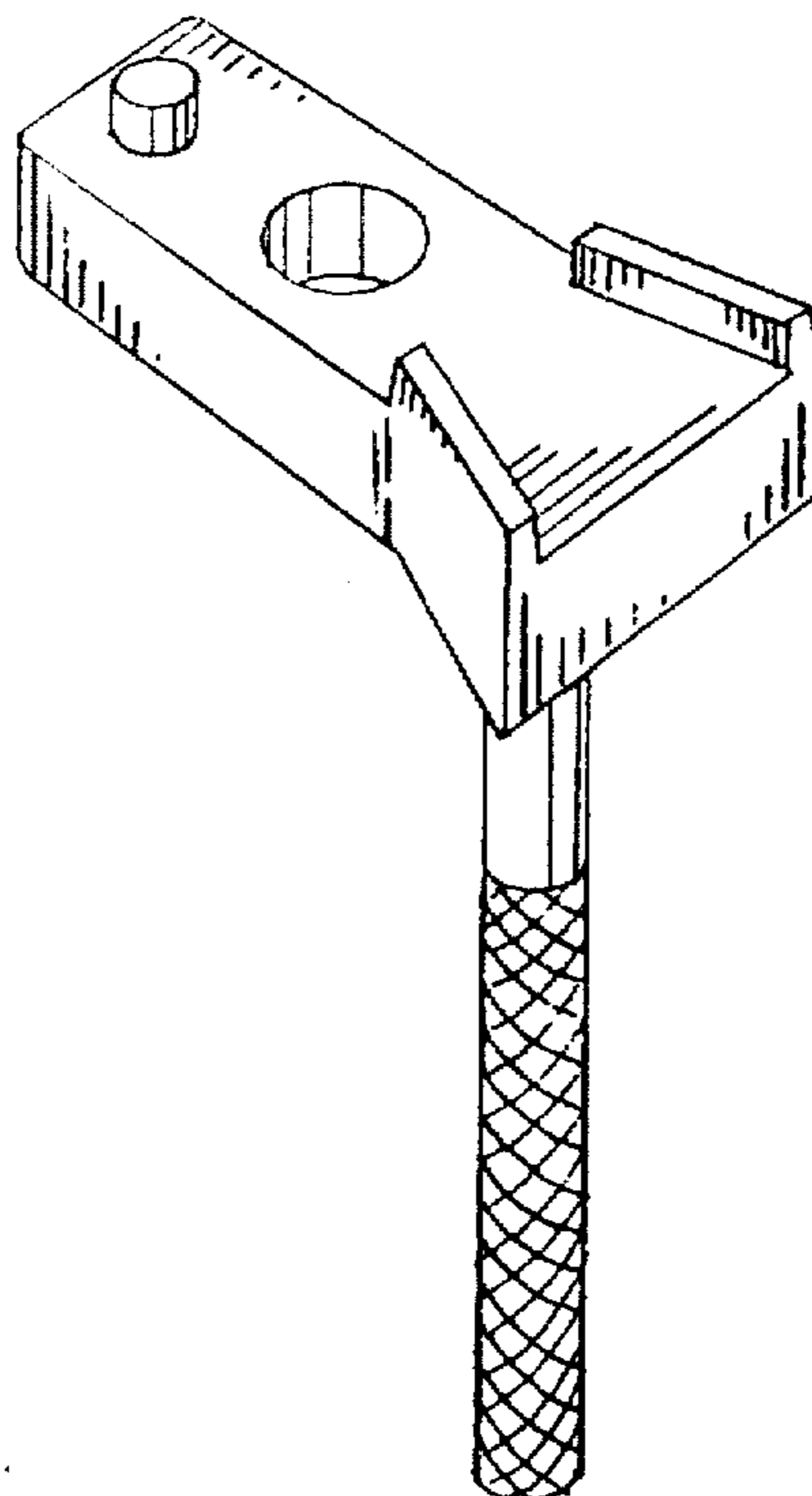
## [57] CLAIM

The ornamental design for an orthopaedic alignment tool, as shown and described.

## DESCRIPTION

FIG. 1 is a bottom perspective view of an orthopaedic alignment tool;  
 FIG. 2 is a side elevational view thereof;  
 FIG. 3 is a side elevational view thereof of the side opposite the side shown in FIG. 2;  
 FIG. 4 is an end view thereof;  
 FIG. 5 is an end view thereof of the end opposite the end shown in FIG. 4;  
 FIG. 6 is a top plan view thereof; and,  
 FIG. 7 is a bottom plan view thereof.

**1 Claim, 1 Drawing Sheet**



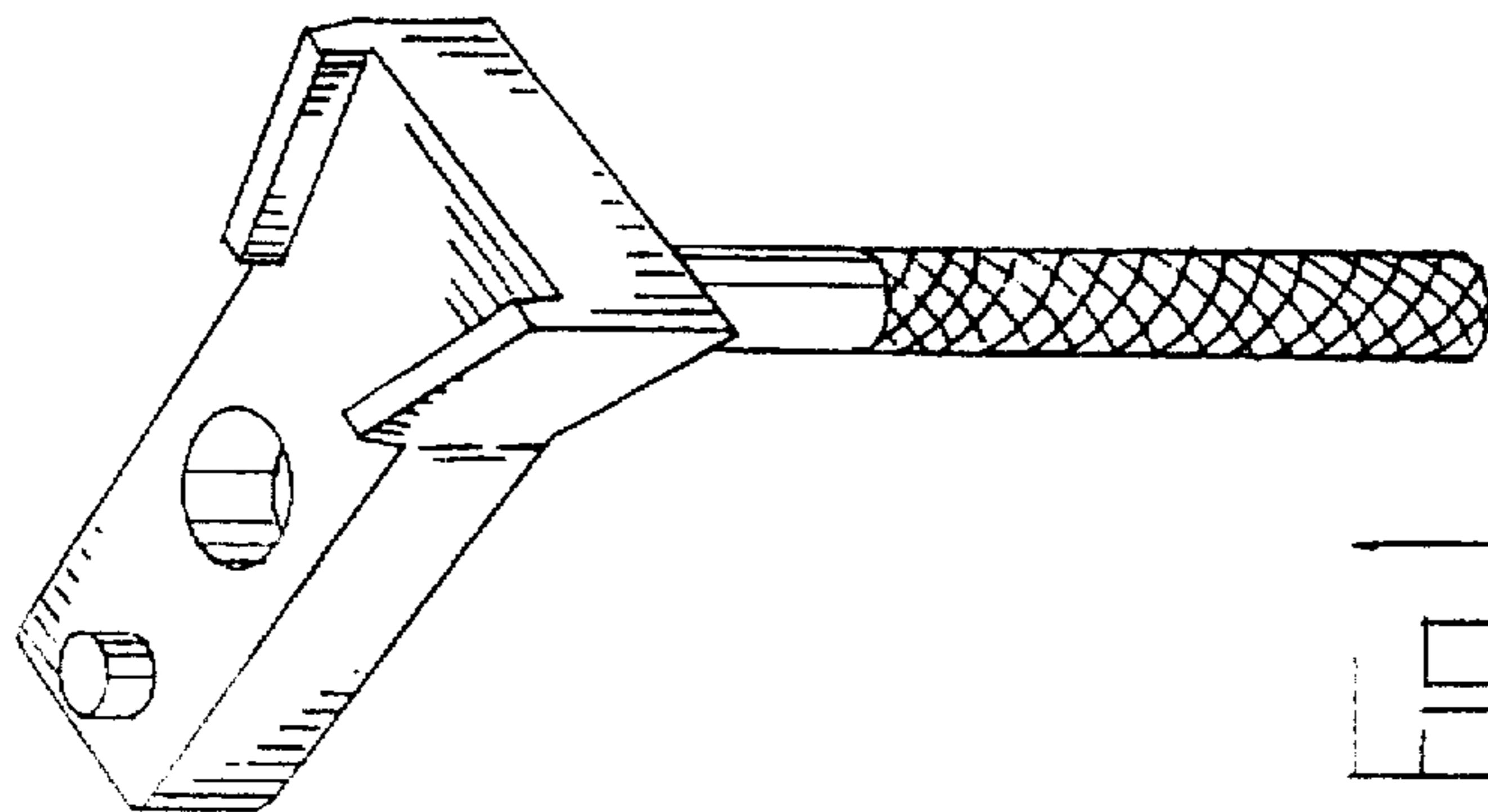


FIG. 1

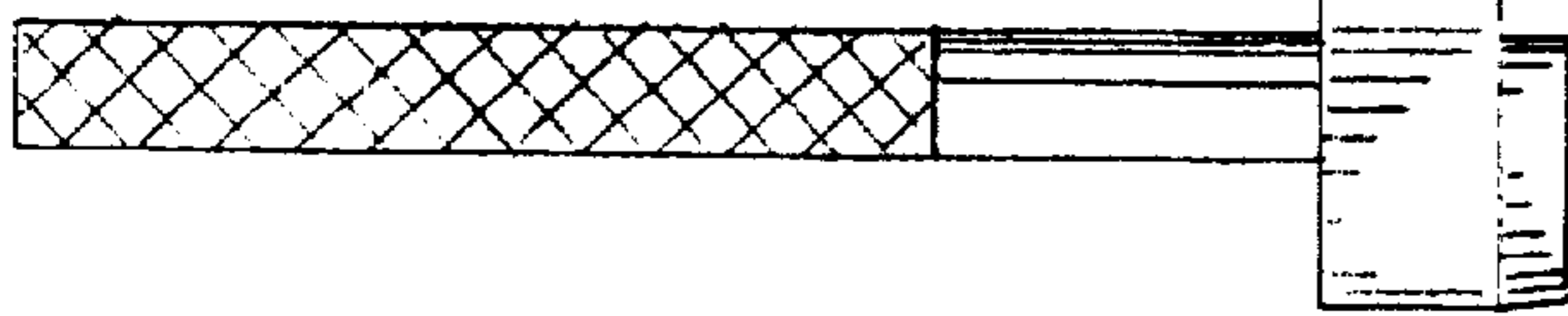


FIG. 2

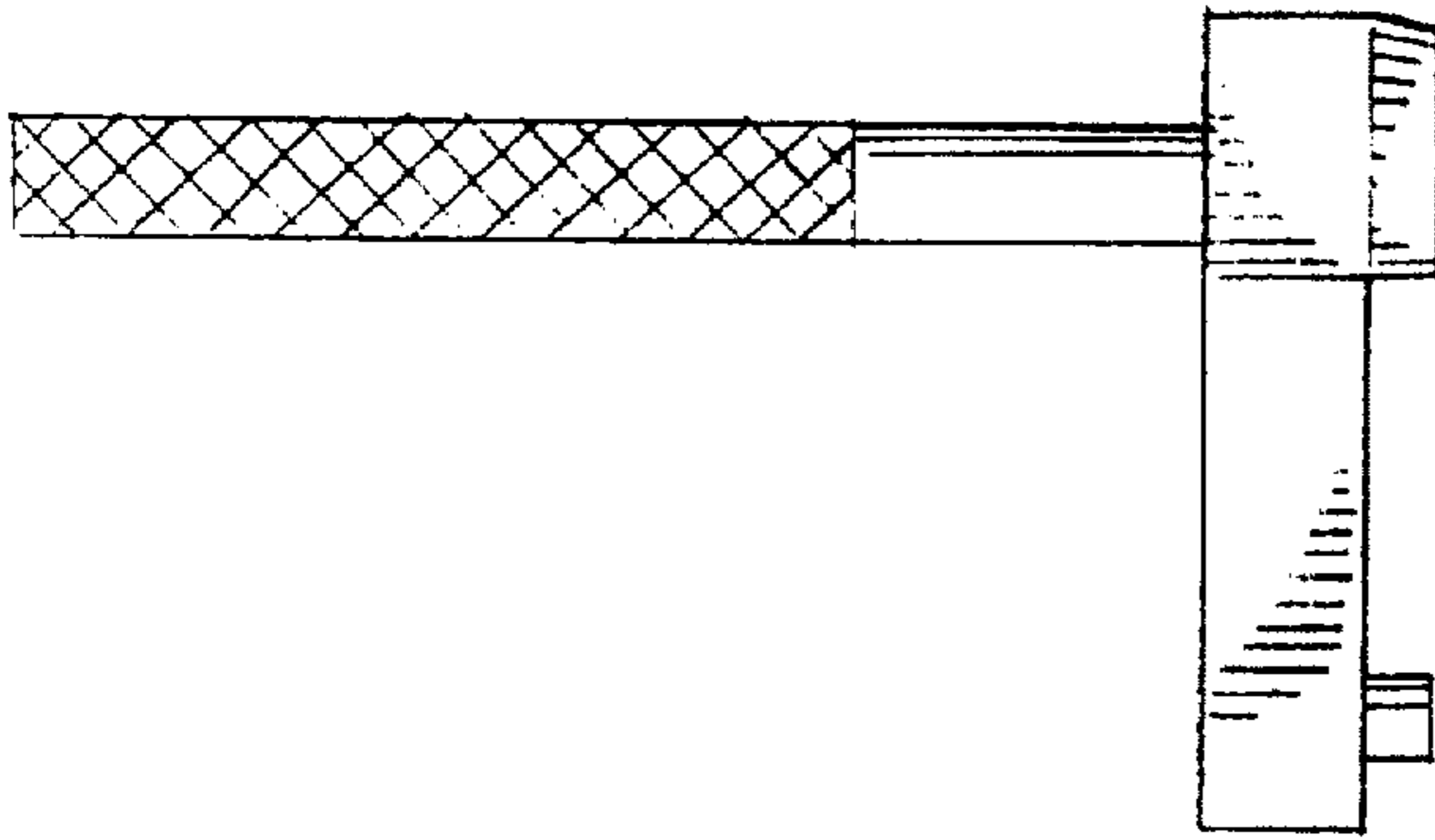


FIG. 3

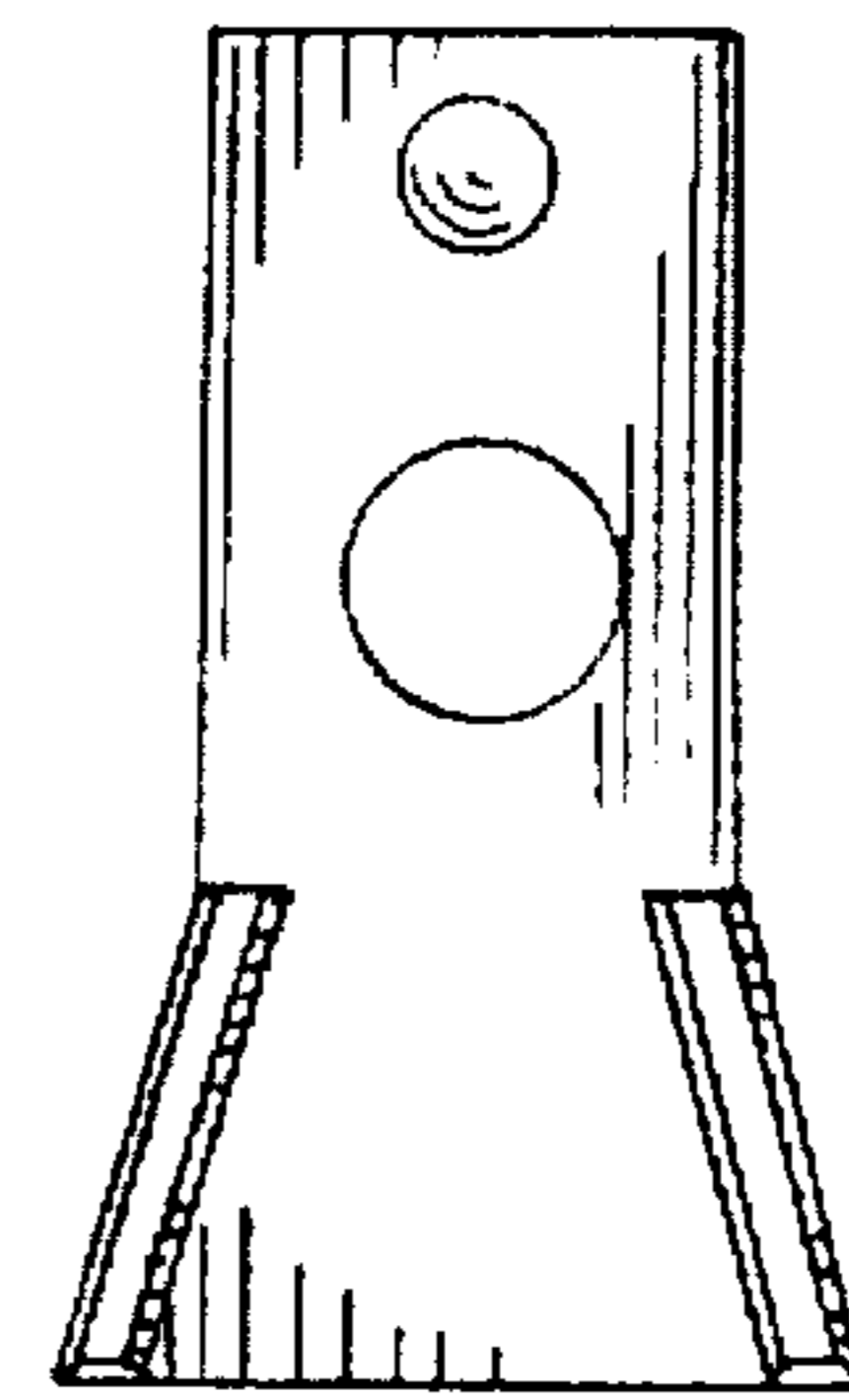


FIG. 4

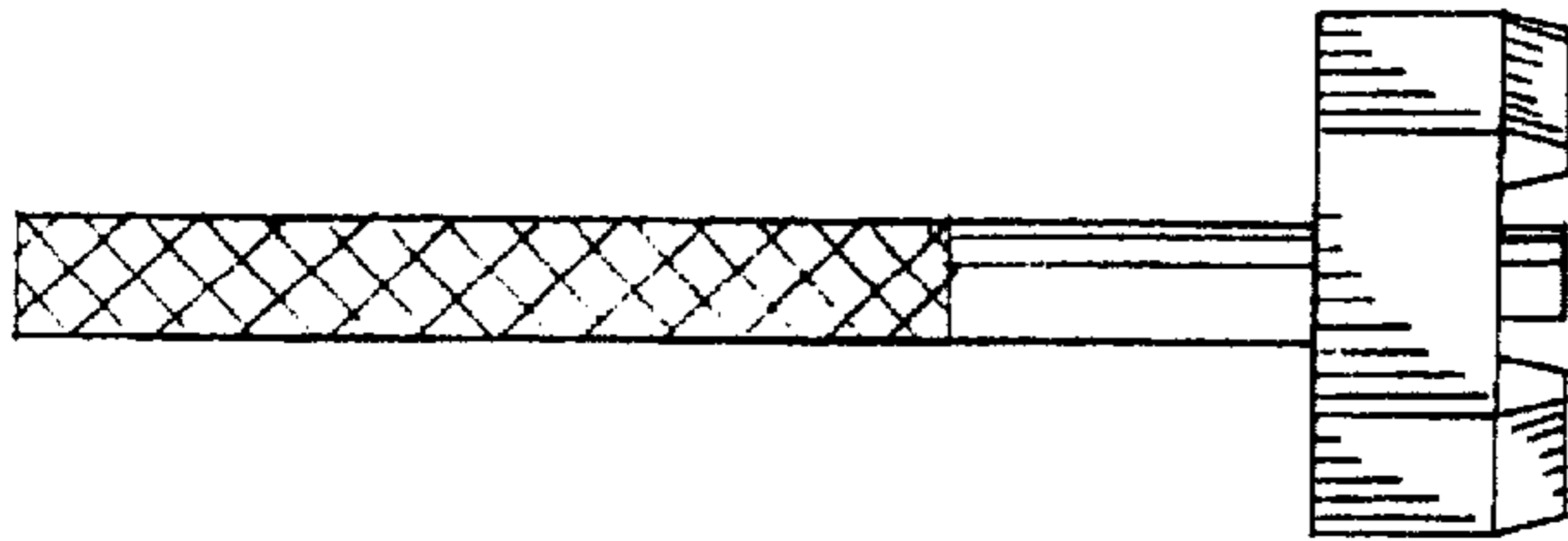


FIG. 5

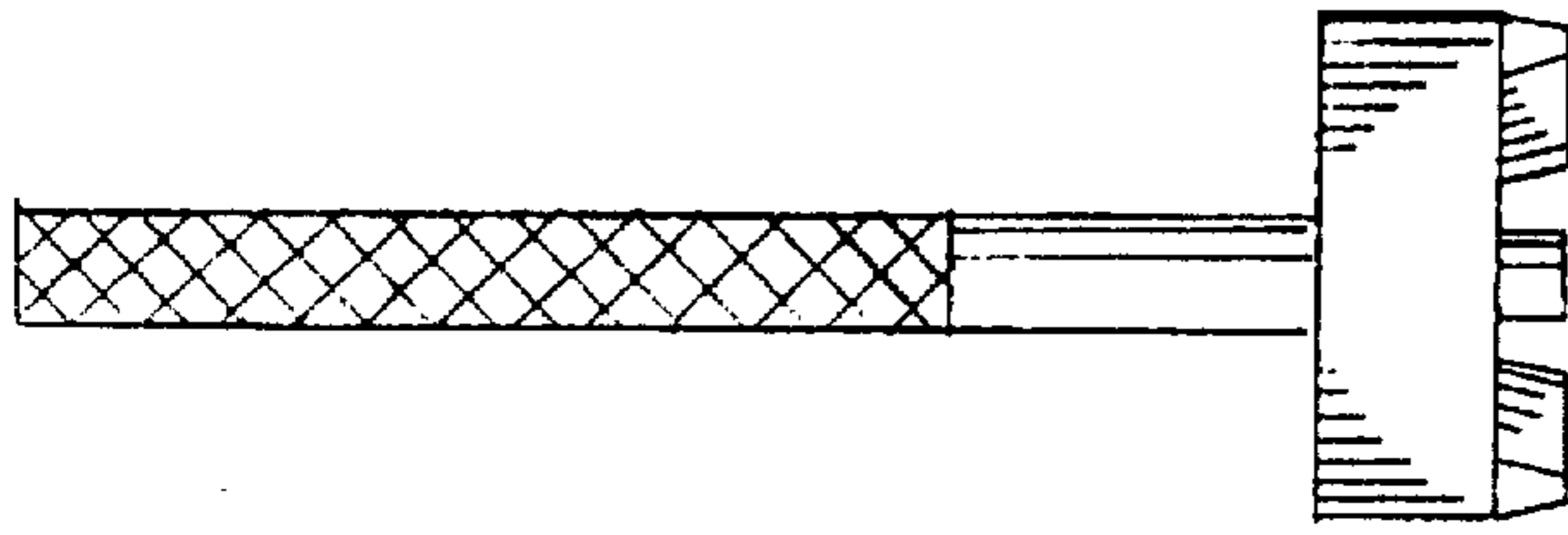


FIG. 6

FIG. 7

FIG. 8