

US00D397219S

United States Patent [19]

[11] Patent Number: Des. 397,219

Rangel et al.

[45] Date of Patent: **Aug. 18, 1998

[54] BRUSH HEAD FOR A TONGUE HYGIENE BRUSH

2,543,999 3/1951 Voss 606/161
4,610,043 9/1986 Vezjak 606/161

[76] Inventors: **Fabio Eduardo Franca Rangel**, Rua 3 de Abril No. 149, Jardim Leonidia, Jacarei, Estado de Sao Paulo; **Luiz Bellino Simionato**, Rua Esperanca No. 227 apto 801, vila Ady-Anna, Sao Jose dos Campos, Estado de Sao Paulo, both of Brazil

Primary Examiner—Doris Clark
Attorney, Agent, or Firm—Lawrence D. Schuler

[57] CLAIM

The ornamental design for the brush head for a tongue hygiene brush, as shown and described.

DESCRIPTION

FIG. 1 is a top plan view of the brush head for a tongue hygiene brush, the broken lines showing a handle is for illustrative purposes only, and forms no part of the claimed design;

FIG. 2 is a side elevational view, the opposite side being a mirror image thereof;

FIG. 3 is an enlarged top plan view of the brush head for a tongue hygiene brush in FIG. 1;

FIG. 4 is an enlarged side elevational view of the brush head for a tongue hygiene brush in FIG. 2; and,

FIG. 5 is an enlarged top plan view of two of the bristles illustrated in FIG. 3.

[**] Term: 14 Years

[21] Appl. No.: 71,981

[22] Filed: Jun. 10, 1997

[51] LOC (6) Cl. 24-02

[52] U.S. Cl. D24/147

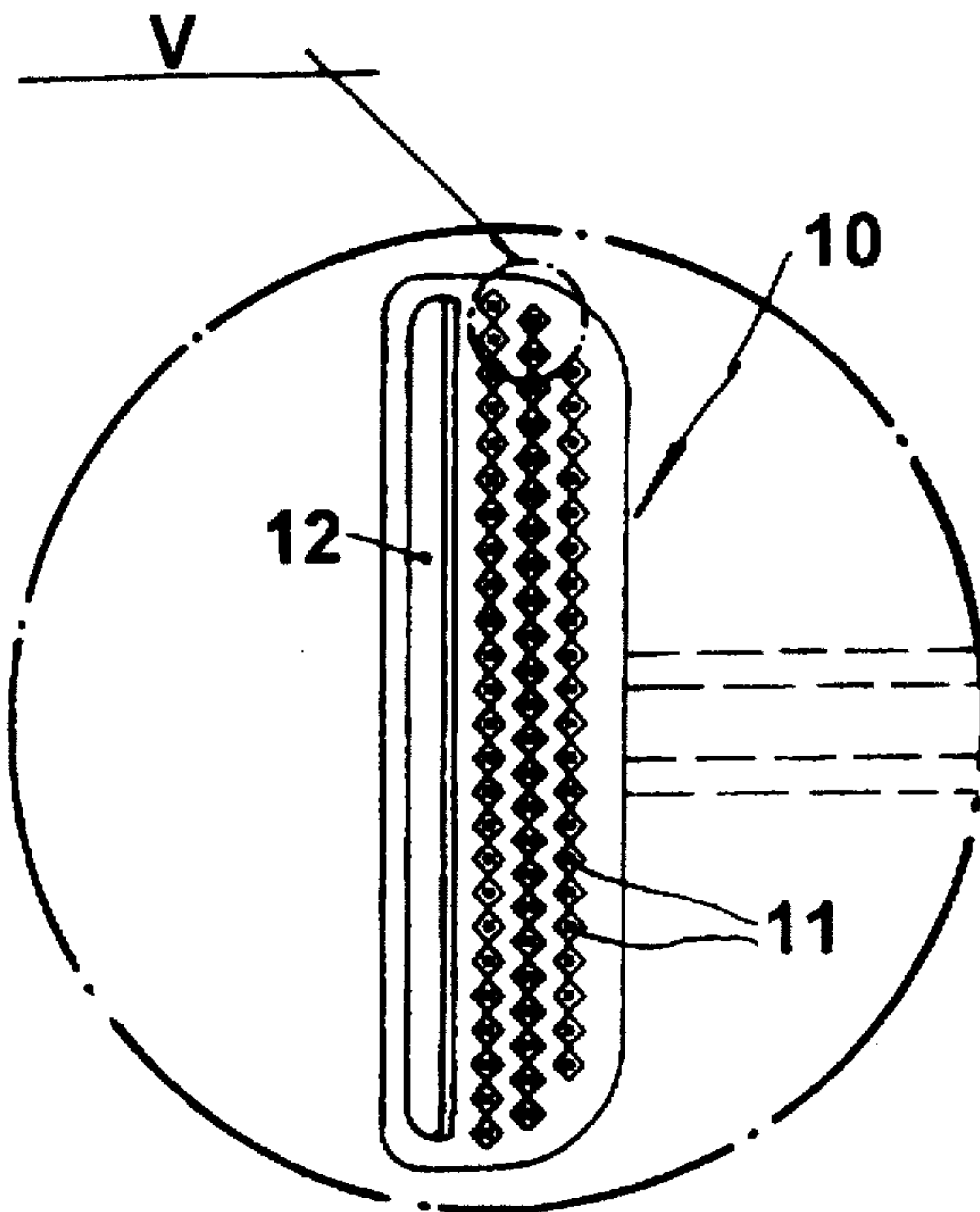
[58] Field of Search D24/147; 606/161; D4/108, 104, 105

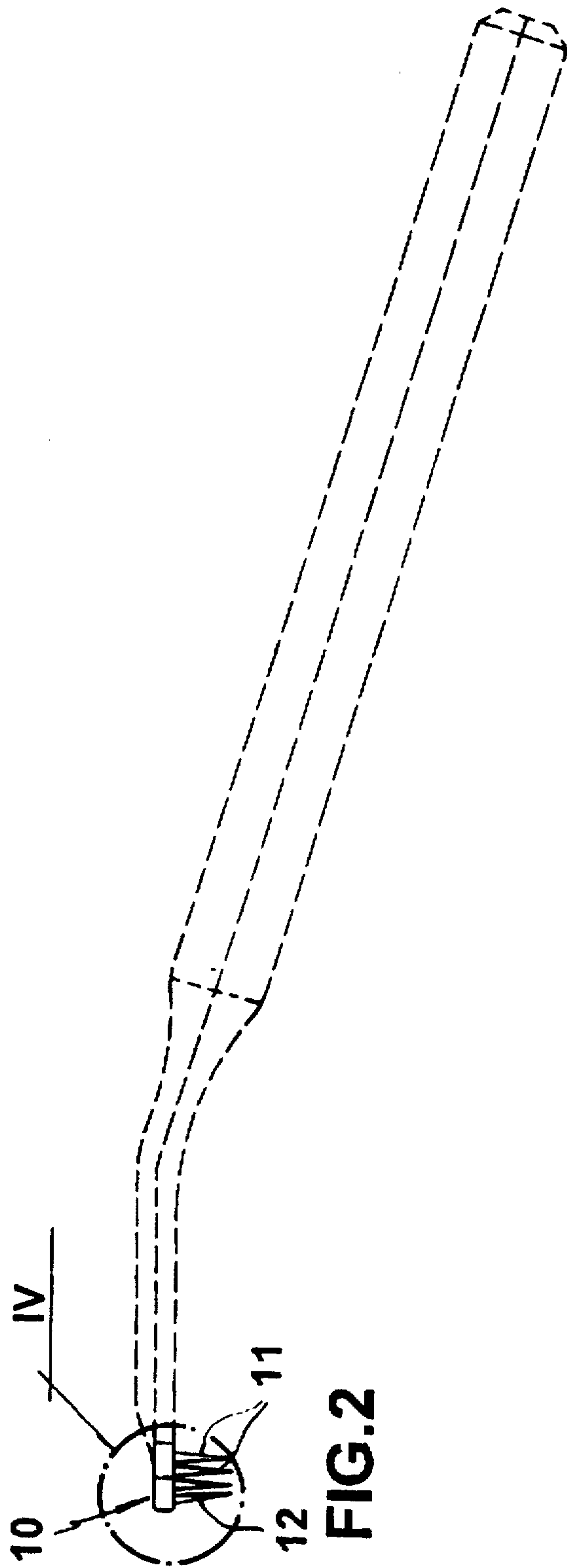
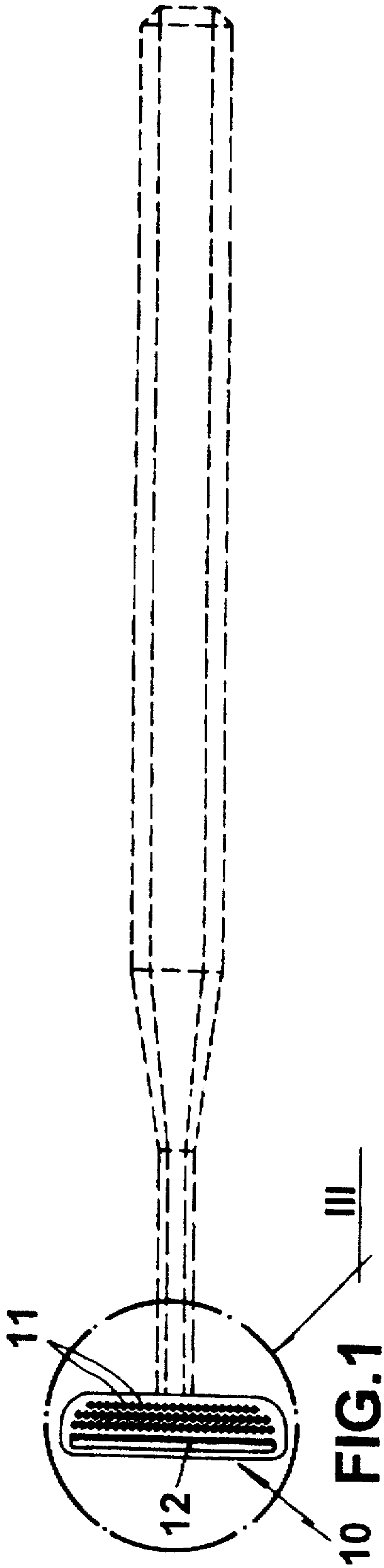
[56] References Cited

U.S. PATENT DOCUMENTS

D. 367,707 3/1996 Baker D24/147

1 Claim, 2 Drawing Sheets





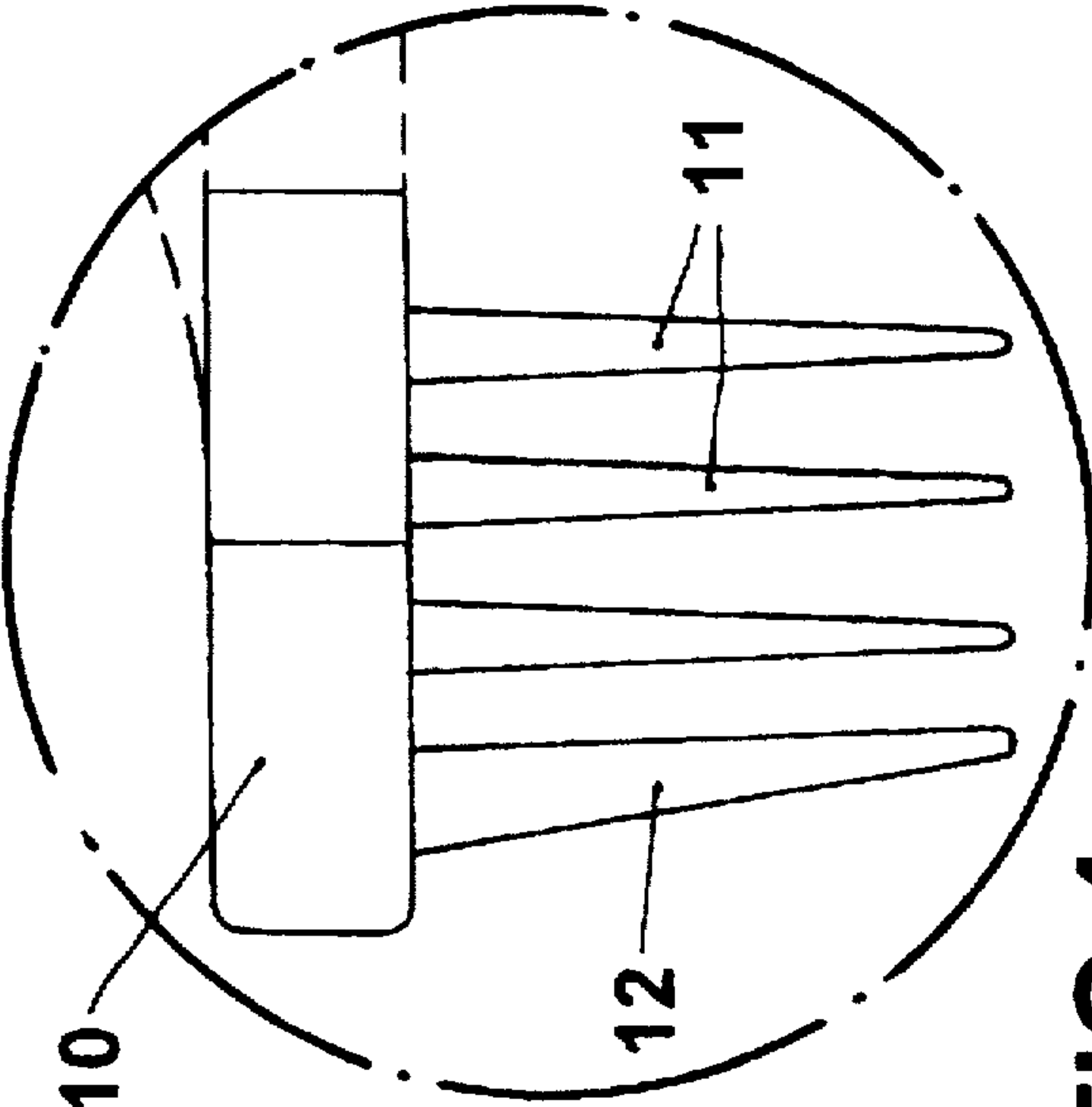


FIG. 4

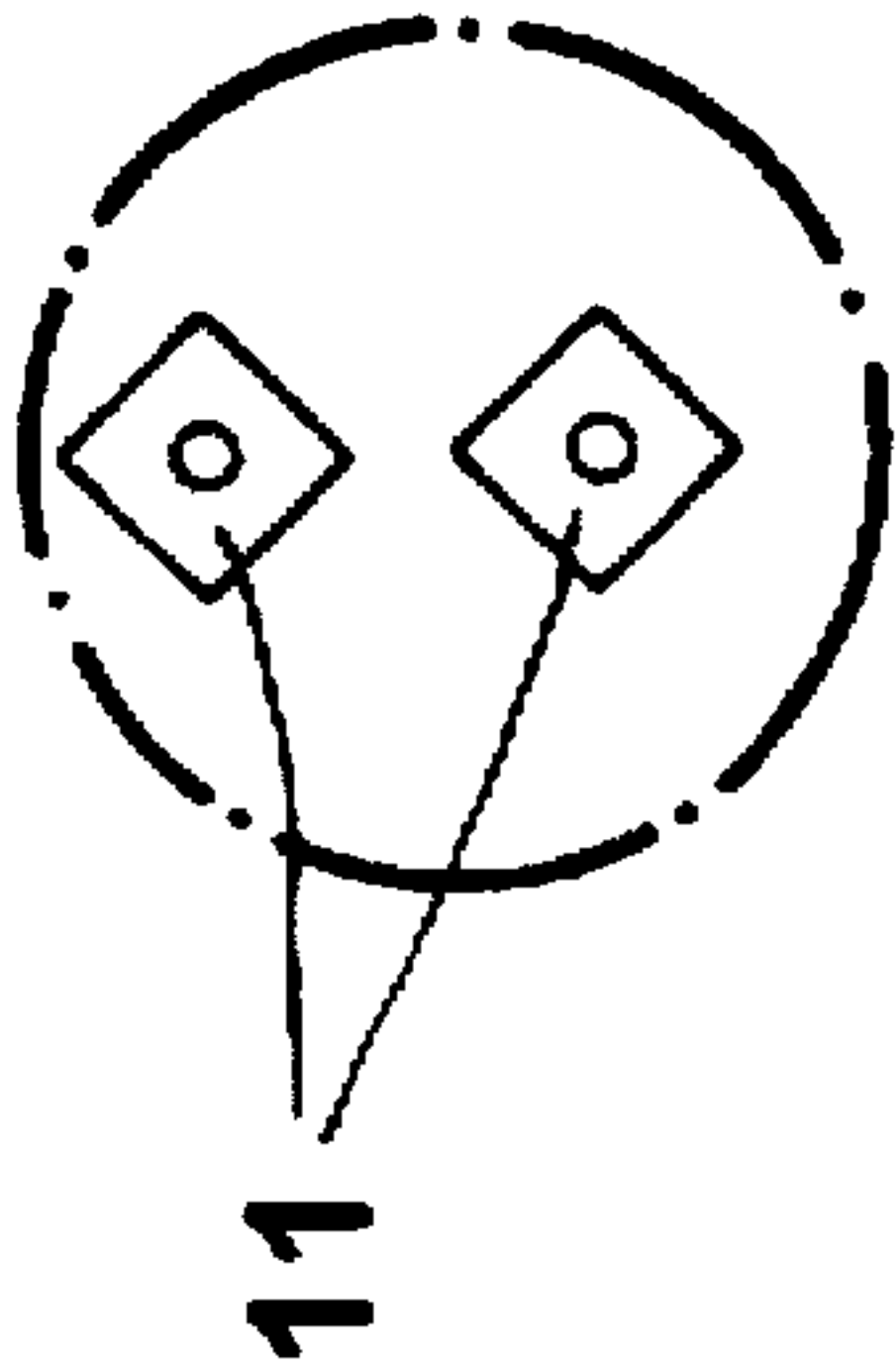


FIG. 5

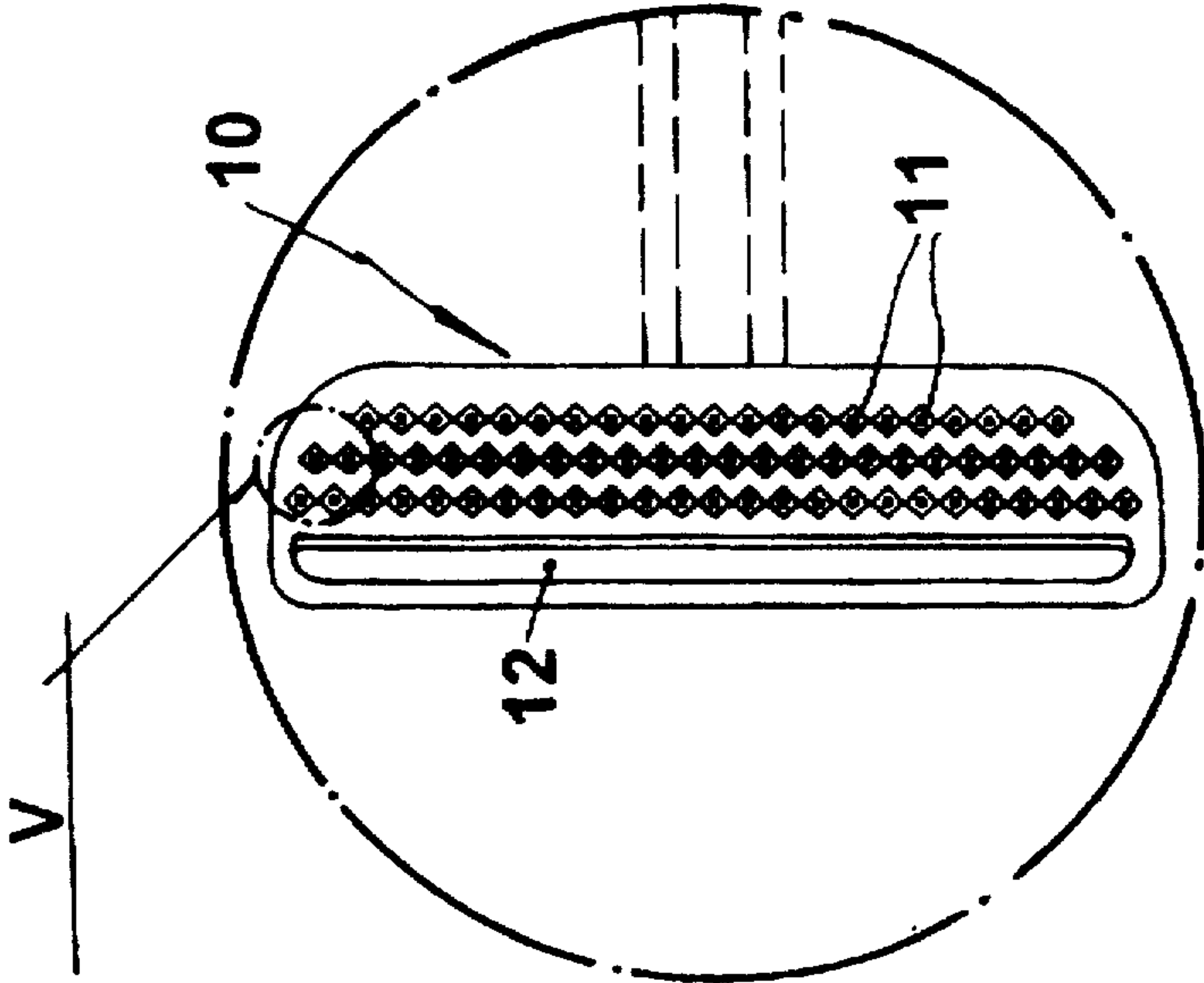


FIG. 3