

US00D397217S

United States Patent [19]
Brookfield

[11] **Patent Number: Des. 397,217**

[45] **Date of Patent: **Aug. 18, 1998**

[54] **ISOTOPE SHIELD**

4,200,804 4/1980 Farella et al. 250/506.1
4,994,012 2/1991 Nakayama et al. 600/5

[75] **Inventor: Richard A. Brookfield, Largo, Fla.**

[73] **Assignee: Sterex Corporation, Clearwater, Fla.**

[**] **Term: 14 Years**

Primary Examiner—Louis S. Zarfes
Assistant Examiner—G. Albert Andoll
Attorney, Agent, or Firm—Larson & Larson, P.A.: James E. Larson

[21] **Appl. No.: 74,391**

[57] **CLAIM**

[22] **Filed: Aug. 4, 1997**

The ornamental design for an isotope shield, as shown and described.

[51] **LOC (6) Cl. 24-01**

[52] **U.S. Cl. D24/130**

[58] **Field of Search D24/128, 130;
604/187; 600/5; 976/DIG. 351; 250/506.1**

DESCRIPTION

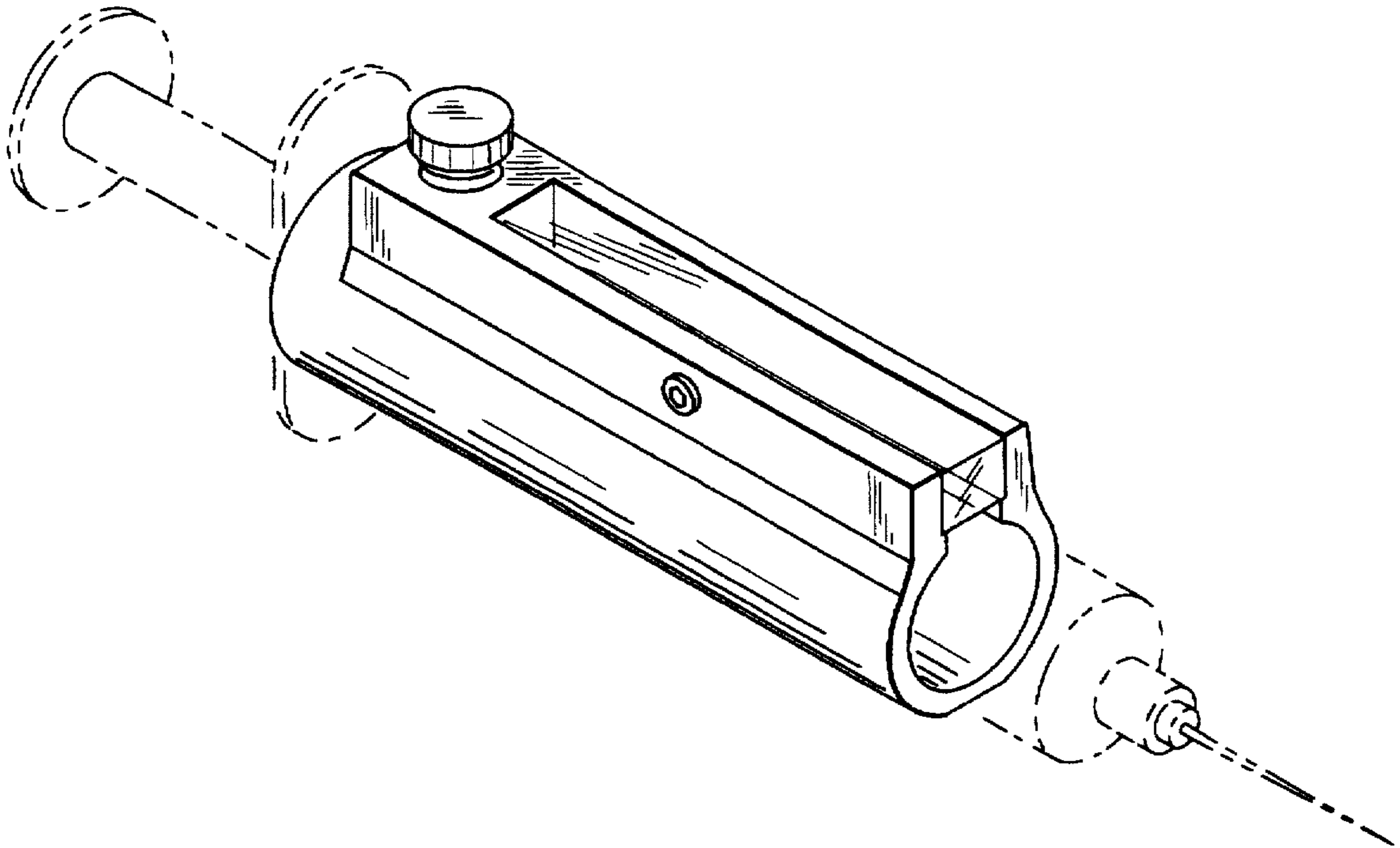
[56] **References Cited**

U.S. PATENT DOCUMENTS

D. 248,491	7/1978	Reiss	D24/130
D. 372,976	8/1996	Reich	D24/130
3,596,659	8/1971	Glasser	604/187
3,673,411	6/1972	Glasser	250/506.1
4,056,096	11/1977	Collica et al.	600/5
4,060,073	11/1977	Collica et al.	250/506.1
4,185,619	1/1980	Reiss	600/5

FIG. 1 is a perspective view of an isotope shield, showing my novel design;
FIG. 2 is a top plan view thereof;
FIG. 3 is a bottom plan view thereof;
FIG. 4 is a front view thereof;
FIG. 5 is a back view thereof;
FIG. 6 is a left side elevational view thereof; and,
FIG. 7 is a right side elevational view thereof.
The broken line showing the syringe in FIG. 1 is for illustrative purposes only and forms no part of the claimed design.

1 Claim, 2 Drawing Sheets



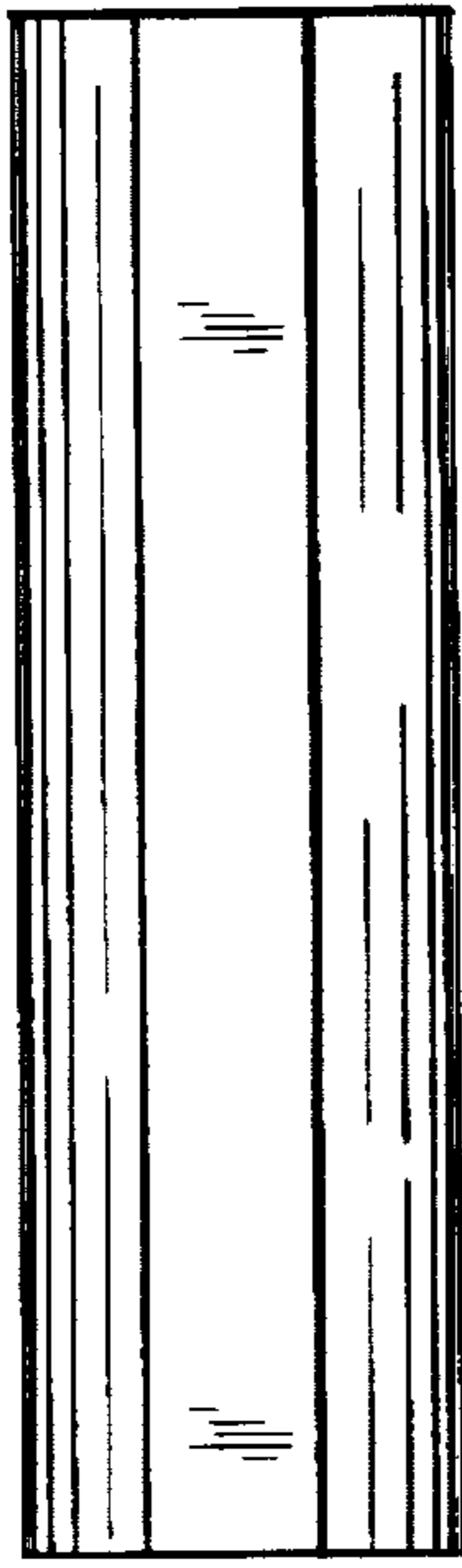


Fig. 3

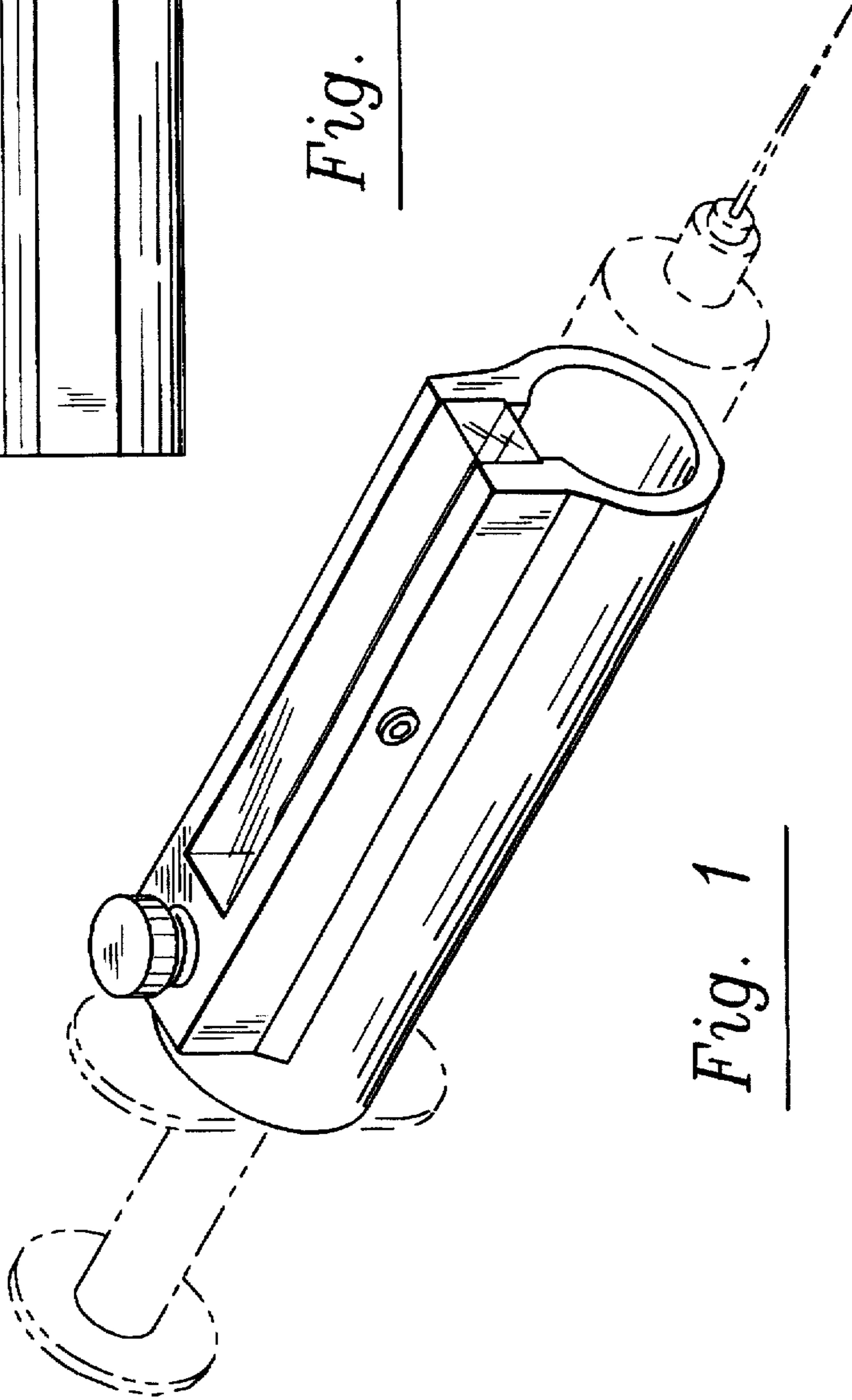


Fig. 1

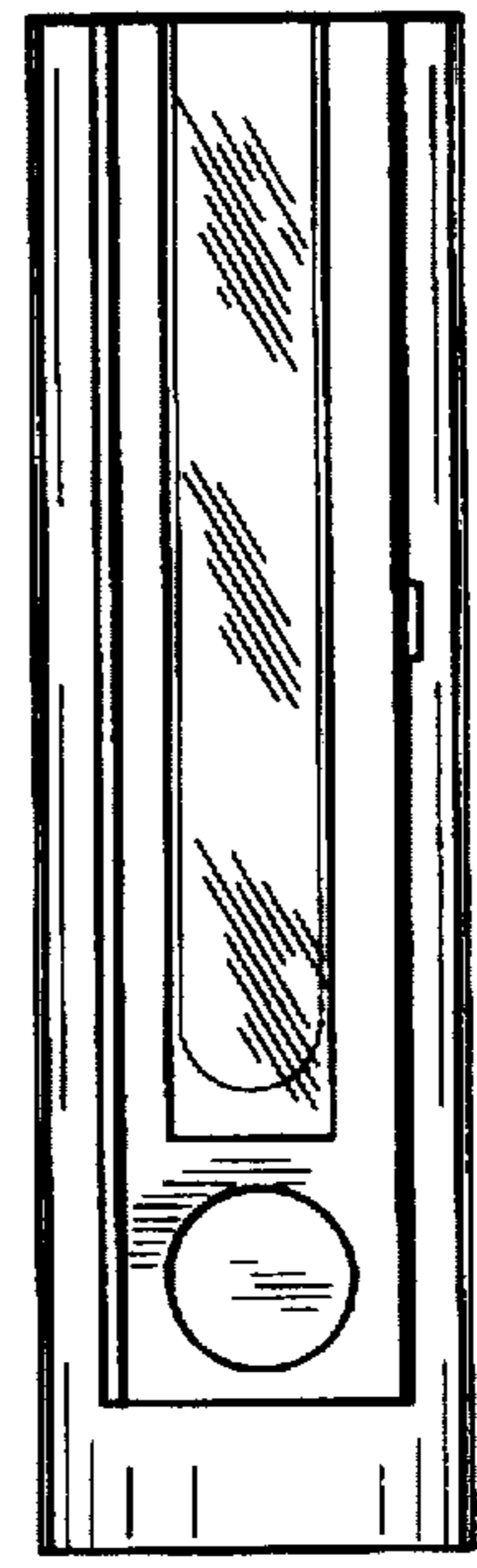


Fig. 2

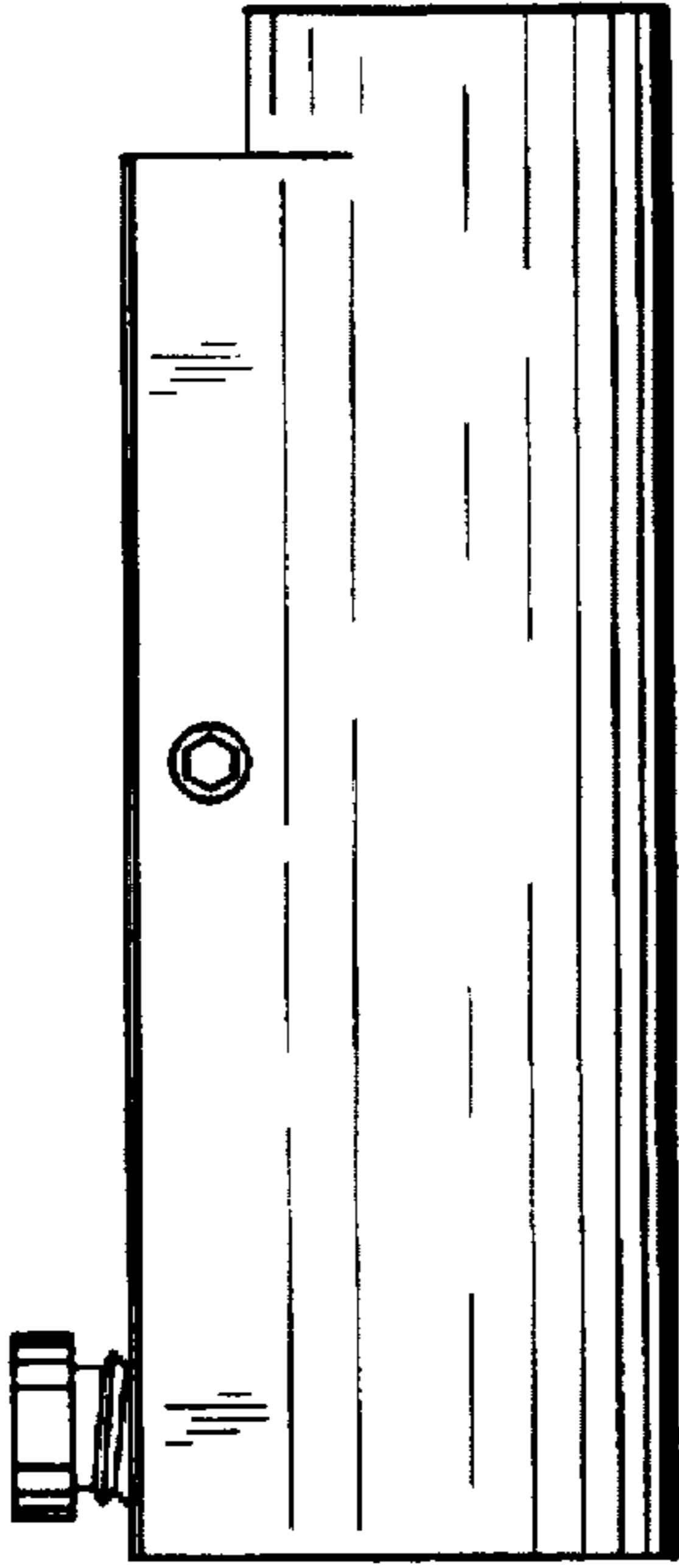


Fig. 6

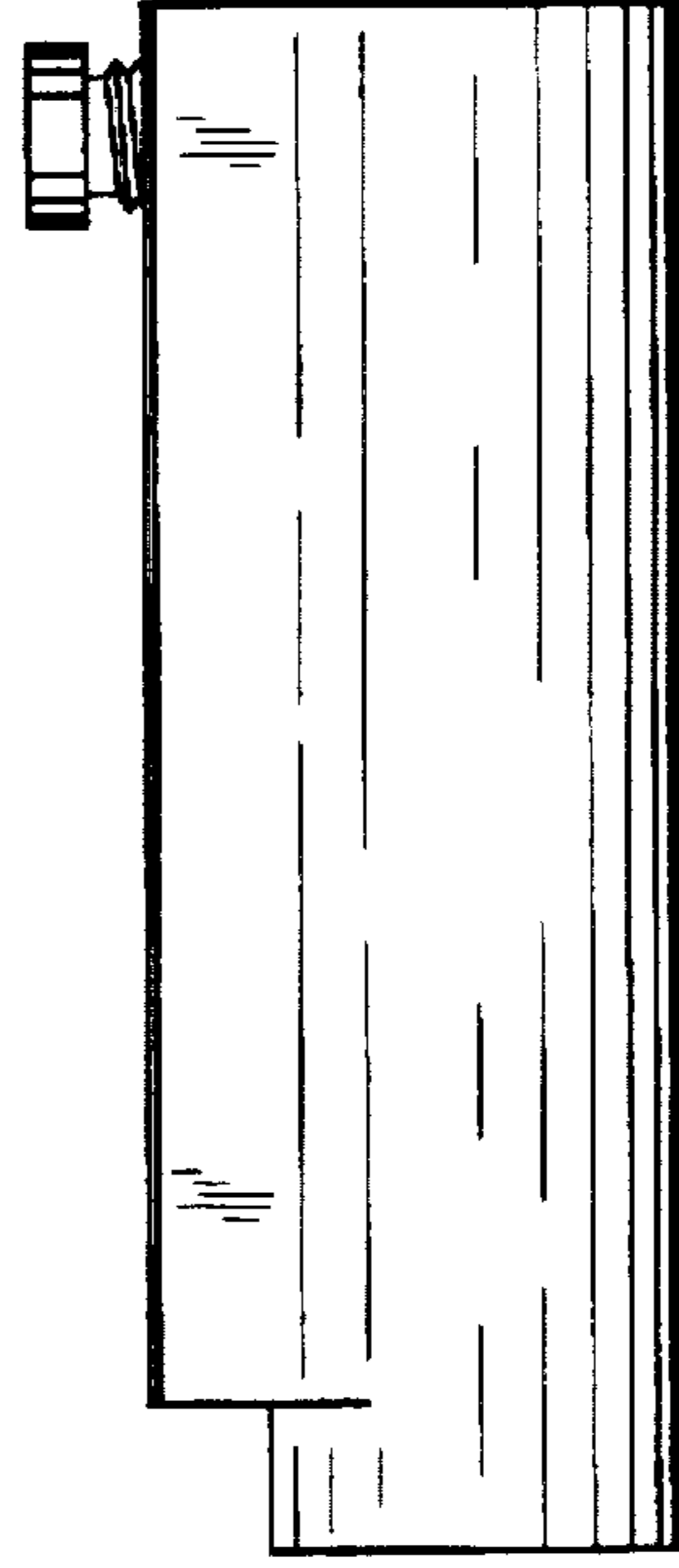


Fig. 7

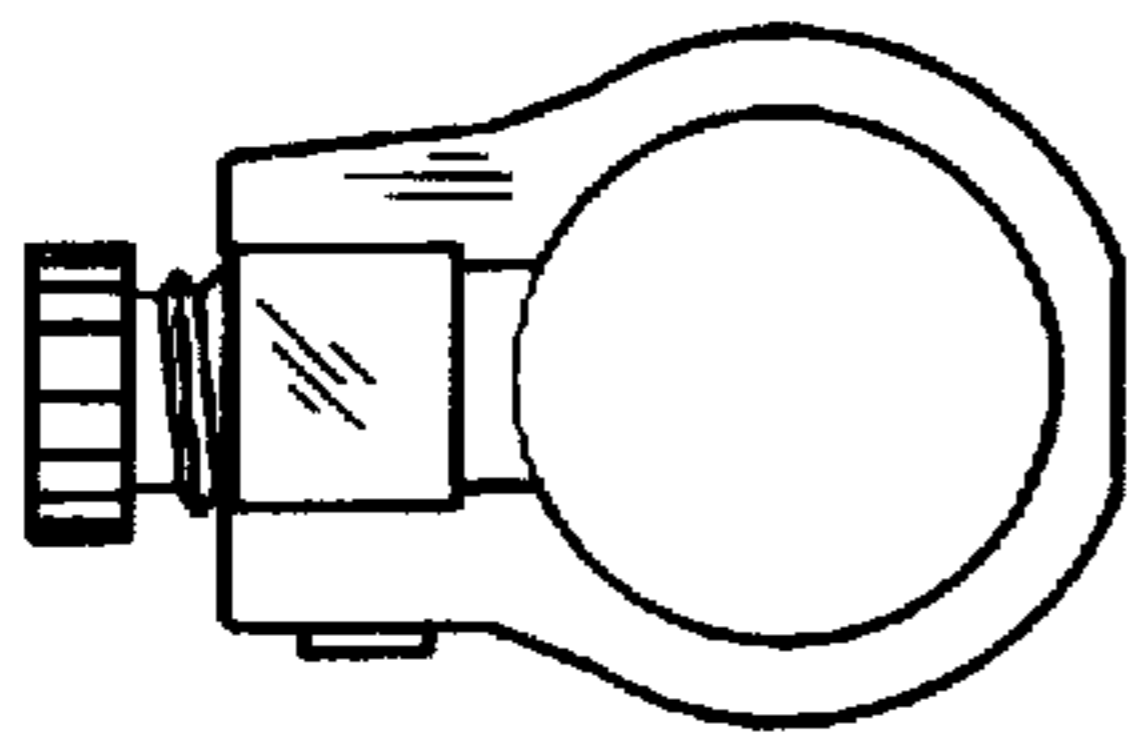


Fig. 4

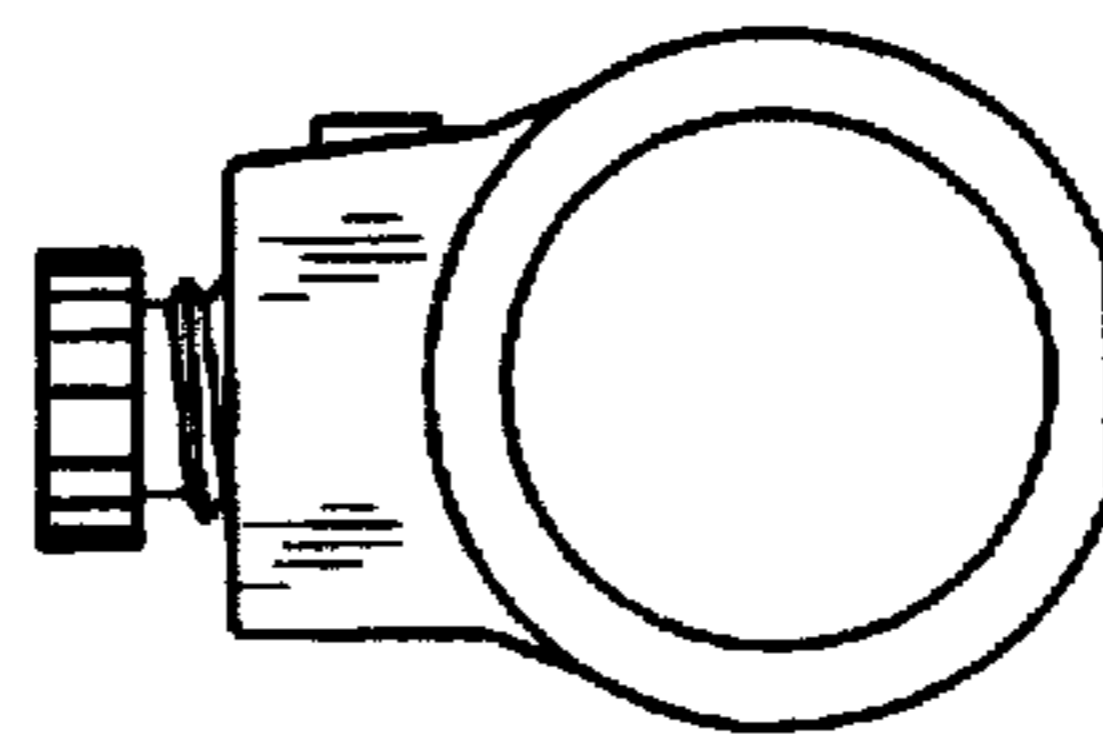


Fig. 5