



US00D397216S

United States Patent [19]

Armand

[11] Patent Number: **Des. 397,216**

[45] Date of Patent: ****Aug. 18, 1998**

[54] **BABY MEDICATION DISPENSER**
[76] Inventor: **Guirlene Armand**, 177 New York Ave.,
Westbury, N.Y. 11590

[**] Term: **14 Years**

[21] Appl. No.: **79,974**

[22] Filed: **Nov. 6, 1997**

[51] LOC (6) Cl. **24-04**

[52] U.S. Cl. **D24/117; D24/197**

[58] Field of Search **D24/197, 117,
D24/114; 215/11.1, 11.2, 11.3, 11.4, 11.5,
11.6**

[56] **References Cited**

U.S. PATENT DOCUMENTS

D. 196,090 8/1963 Barton et al. D24/197
D. 211,434 6/1968 Atkin D24/197

D. 380,828 7/1997 Franchi D24/117
5,029,701 7/1991 Roth 215/11.1 X
5,244,122 9/1993 Botts D24/114 X
5,542,922 8/1996 Petterson et al. 215/11.1 X

Primary Examiner—Stella Reid

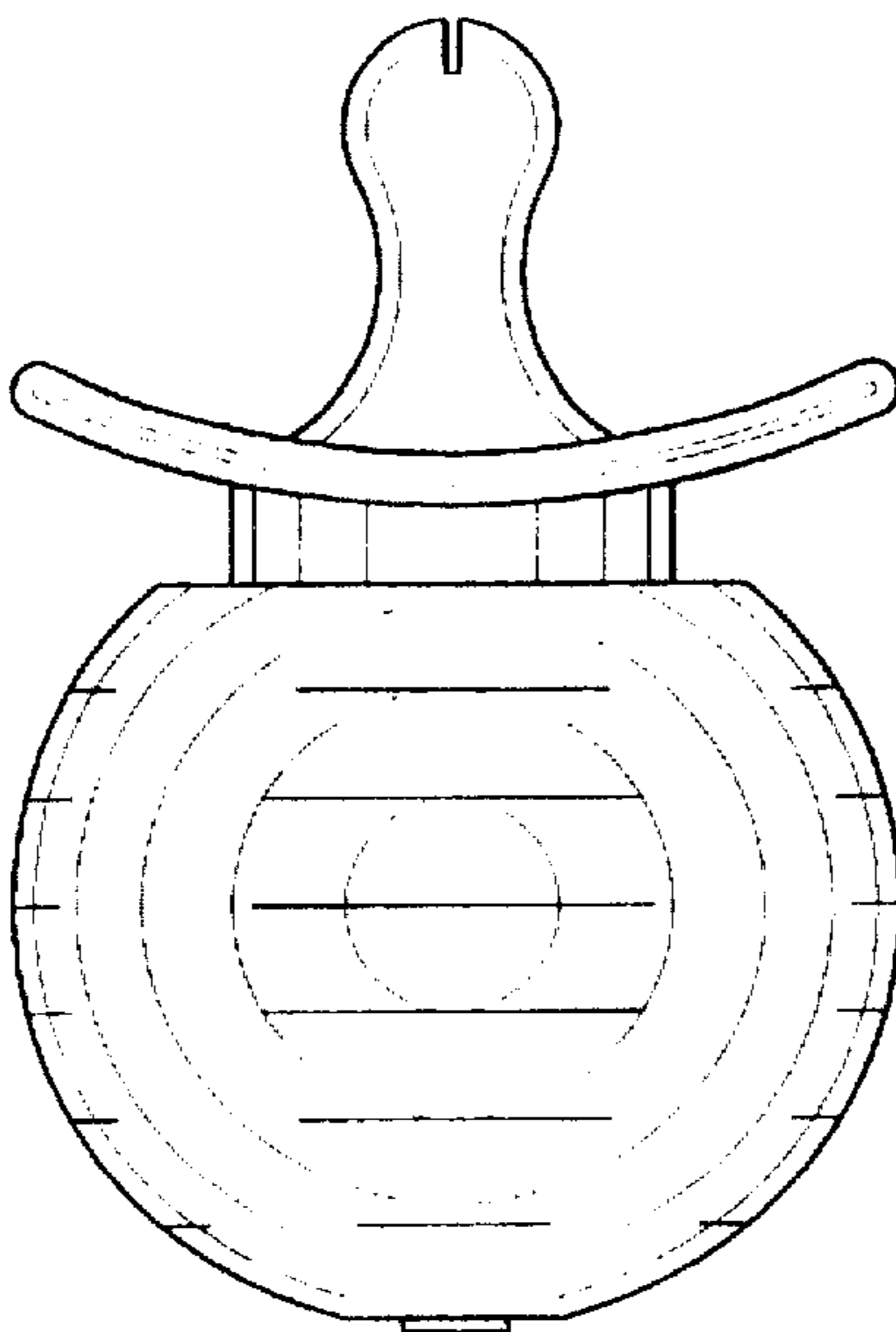
[57] **CLAIM**

The ornamental design for a baby medication dispenser, as shown and described.

DESCRIPTION

FIG. 1 is a front elevational view of the baby medication dispenser showing my new design;
FIG. 2 is a rear elevational view thereof;
FIG. 3 is a right side view thereof;
FIG. 4 is a left side view thereof;
FIG. 5 is a top plan view thereof; and,
FIG. 6 is a bottom plan view thereof.

1 Claim, 3 Drawing Sheets



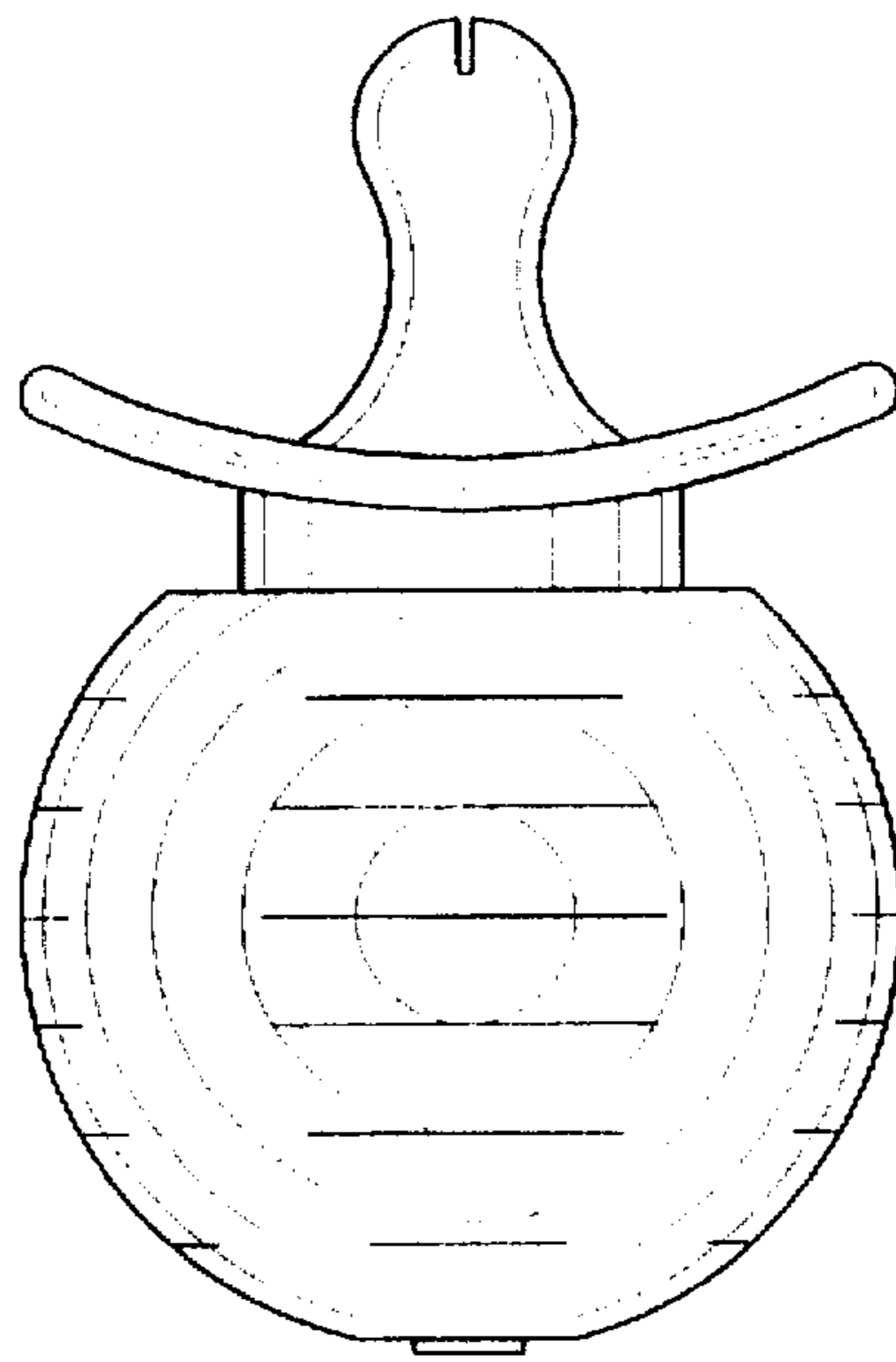


Fig. 1

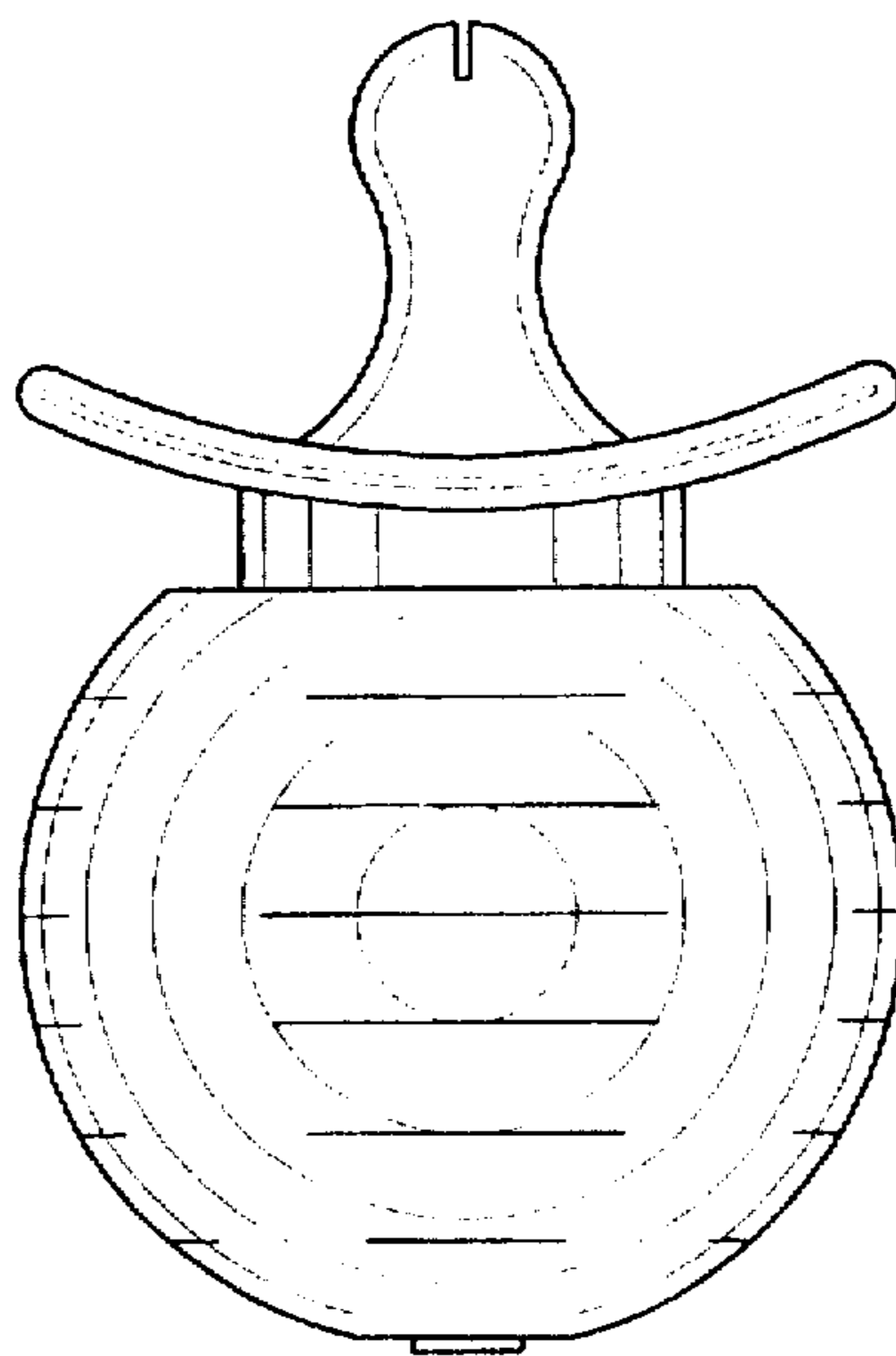


Fig. 2

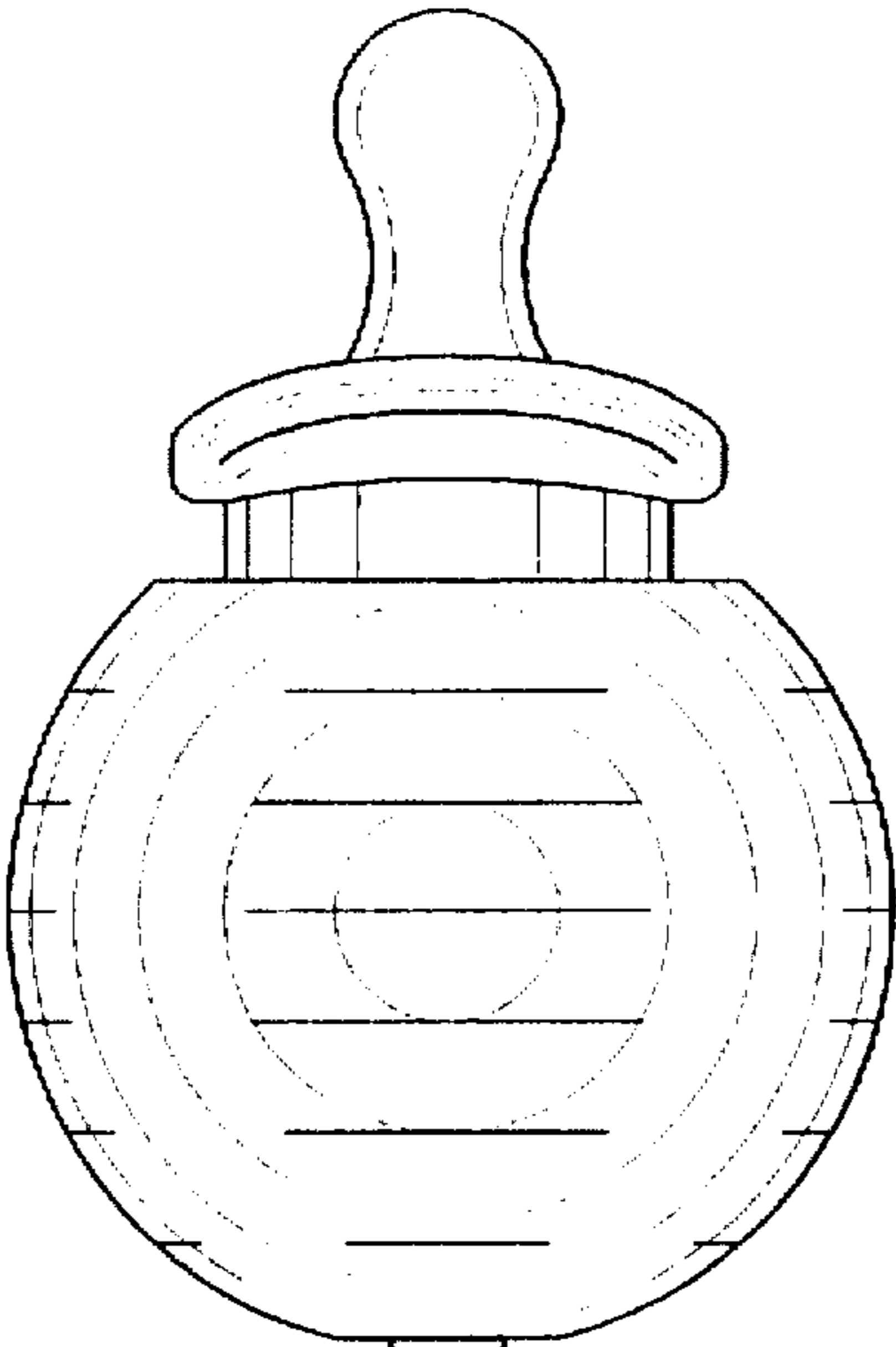


Fig. 3

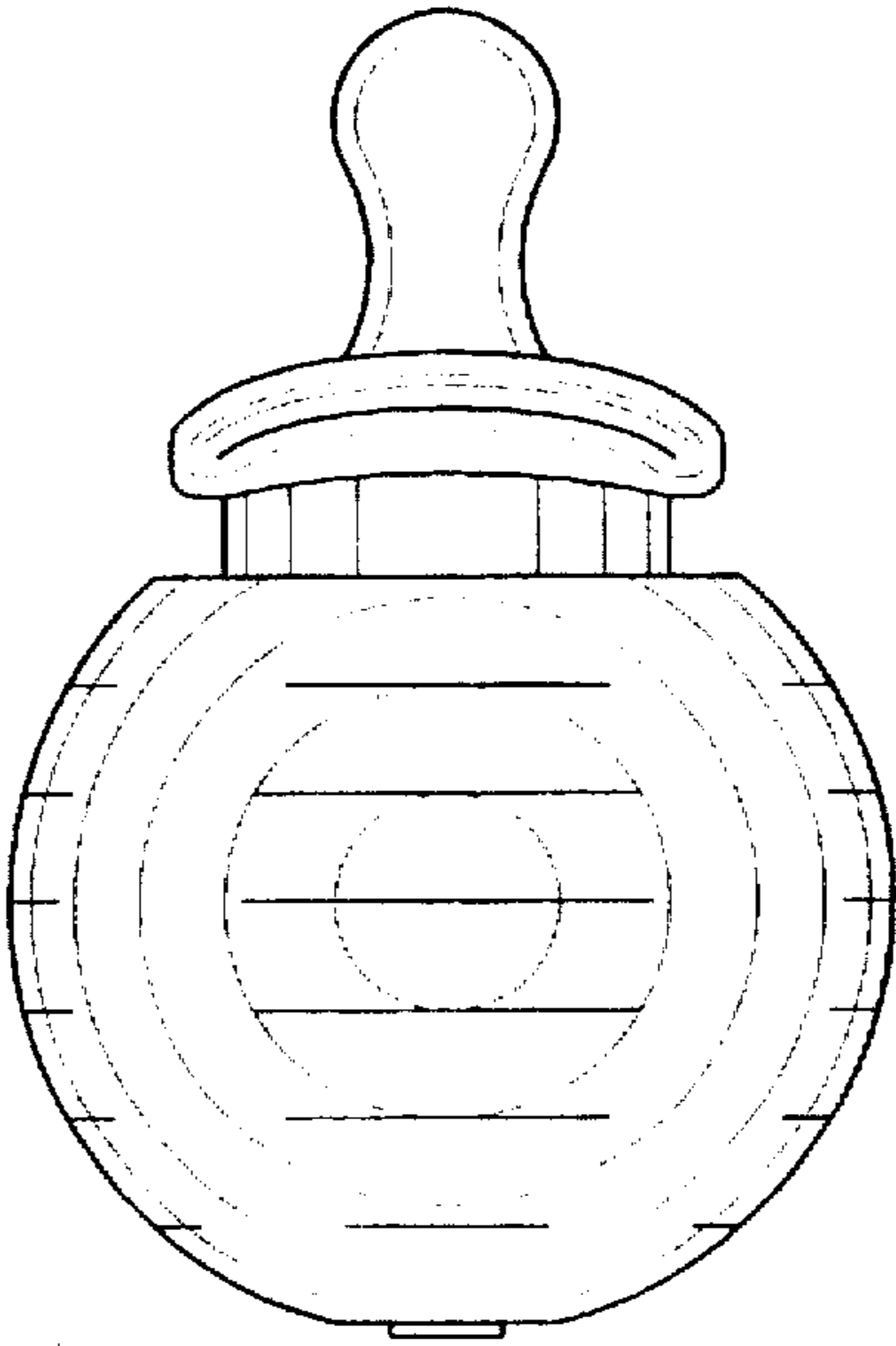


Fig. 4

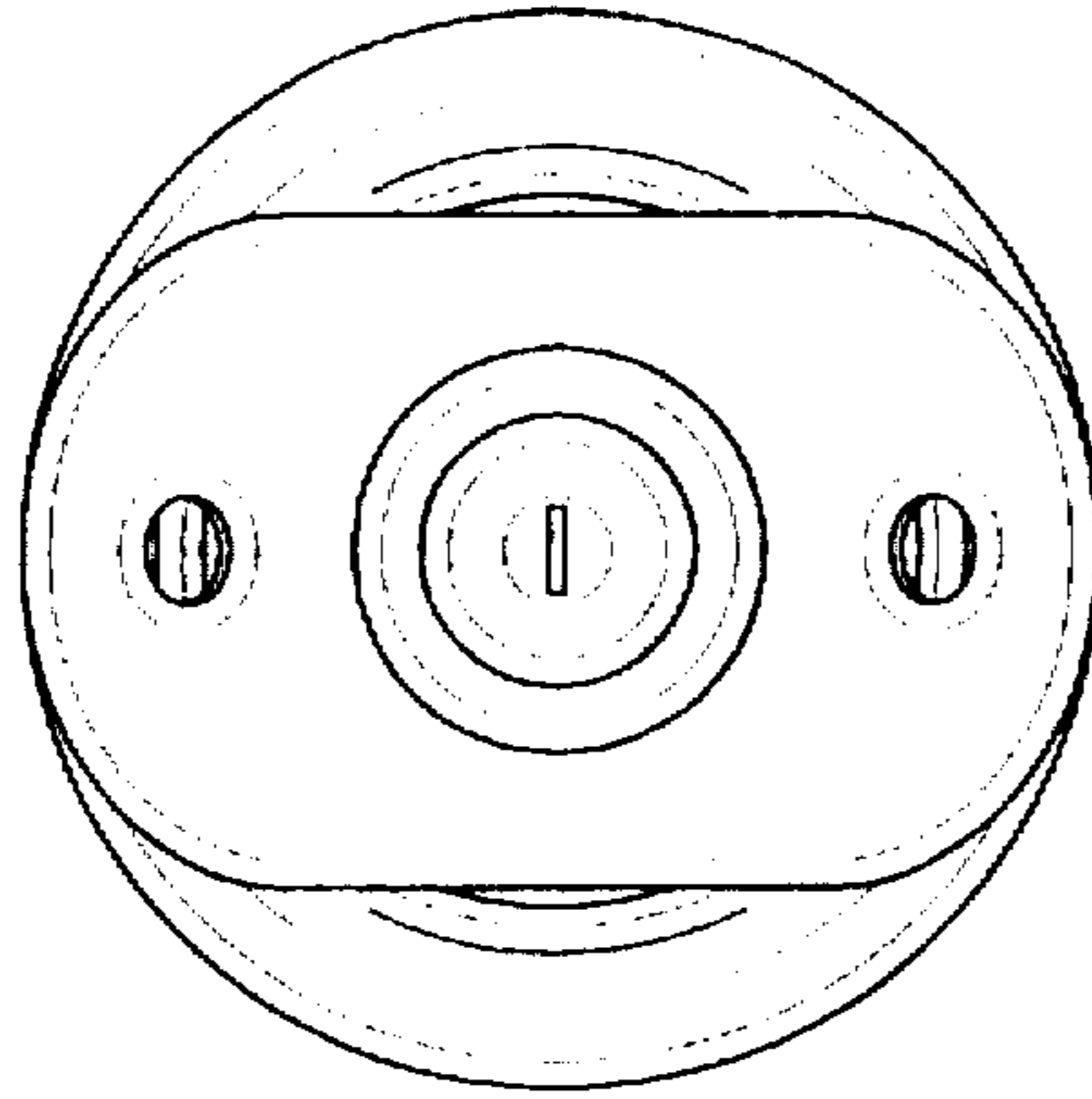


Fig. 5

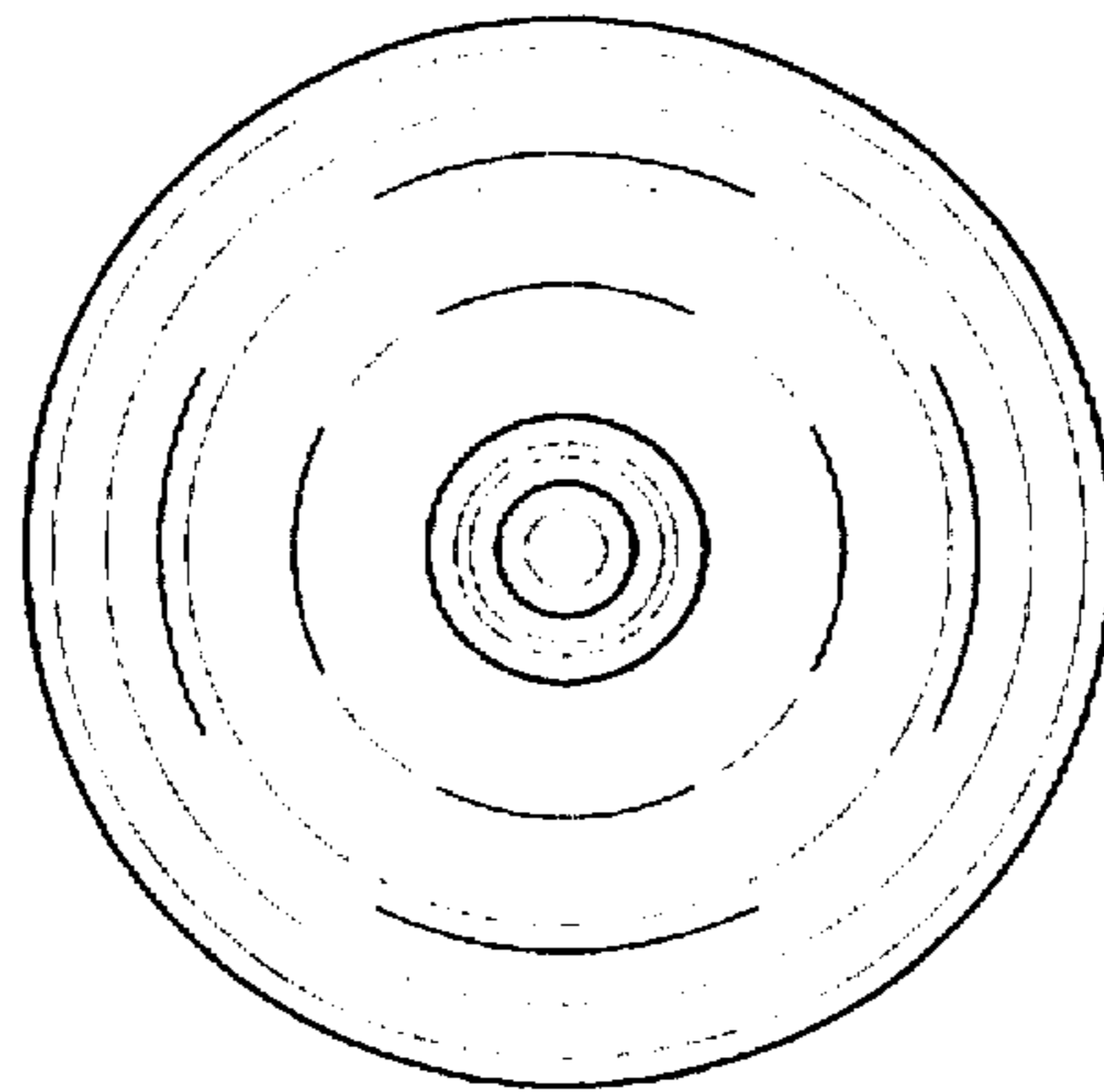


Fig. 6