



US00D397214S

United States Patent [19]
Felker

[11] **Patent Number: Des. 397,214**

[45] **Date of Patent: **Aug. 18, 1998**

[54] **WATER CLOSET**

[75] **Inventor: Richard L. Felker, Sheboygan, Wis.**

[73] **Assignee: Kohler Co., Kohler, Wis.**

[**] **Term: 14 Years**

[21] **Appl. No.: 68,566**

[22] **Filed: Apr. 2, 1997**

[51] **LOC (6) Cl. 23-02**

[52] **U.S. Cl. D23/301**

[58] **Field of Search D23/295, 289,
D23/298, 299, 300, 301; 4/353, 421, 424,
428, 430, DIG. 2, 300**

[56] **References Cited**

U.S. PATENT DOCUMENTS

D. 116,810	9/1939	Uphues	D23/301
D. 250,202	11/1978	Doman et al.	D23/65
D. 268,780	4/1983	Doman et al.	D23/65
D. 271,326	11/1983	Doman et al.	D23/65
D. 323,551	1/1992	Rait	D23/301
D. 326,904	6/1992	Waldren	D23/301
D. 368,134	3/1996	Reid	D23/301

OTHER PUBLICATIONS

1989 Kohler ad showing a "Vintage" toilet.
1995 American Standard ad showing "High Hamilton"
toilet.

Primary Examiner—Louis S. Zarfes
Assistant Examiner—Eric Watterson
Attorney, Agent, or Firm—Quarles & Brady

[57] **CLAIM**

The ornamental design for a water closet, as shown and described.

DESCRIPTION

FIG. 1 is a left, top, front perspective view of a water closet embodying my new design;

FIG. 2 is a top plan view thereof;

FIG. 3 is a front elevational view thereof;

FIG. 4 is a left side elevational view thereof, the right side elevational view being a mirror image of the left side shown;

FIG. 5 is a cross-sectional view taken along line 5—5 of FIG. 2; and,

FIG. 6 is a cross-sectional view taken along line 6—6 of FIG. 2.

The broken line representations of holes in FIGS. 1-4 and 6 are for the purpose of illustrations only, and form no part of the claimed design.

1 Claim, 3 Drawing Sheets

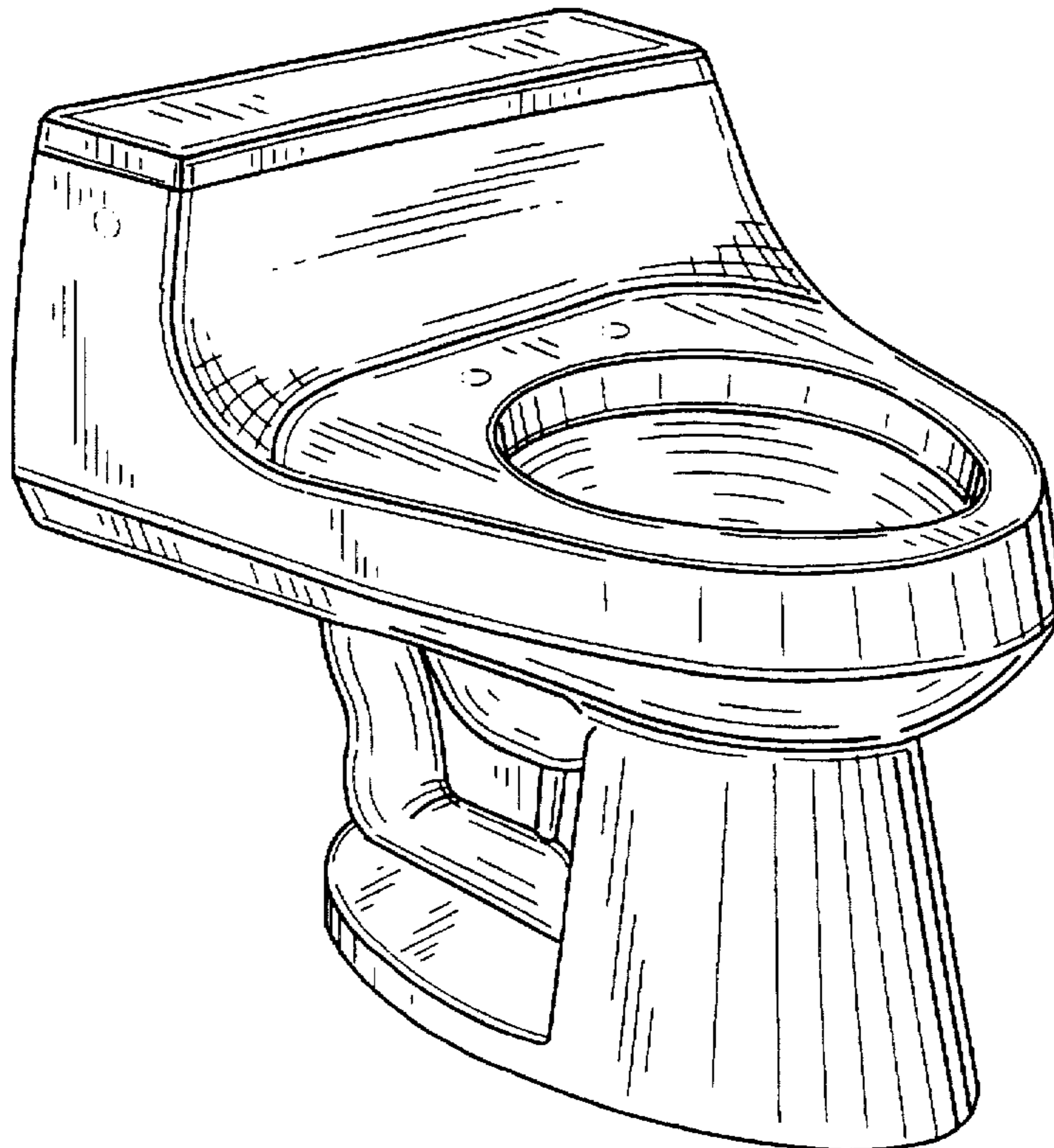


FIG. 1

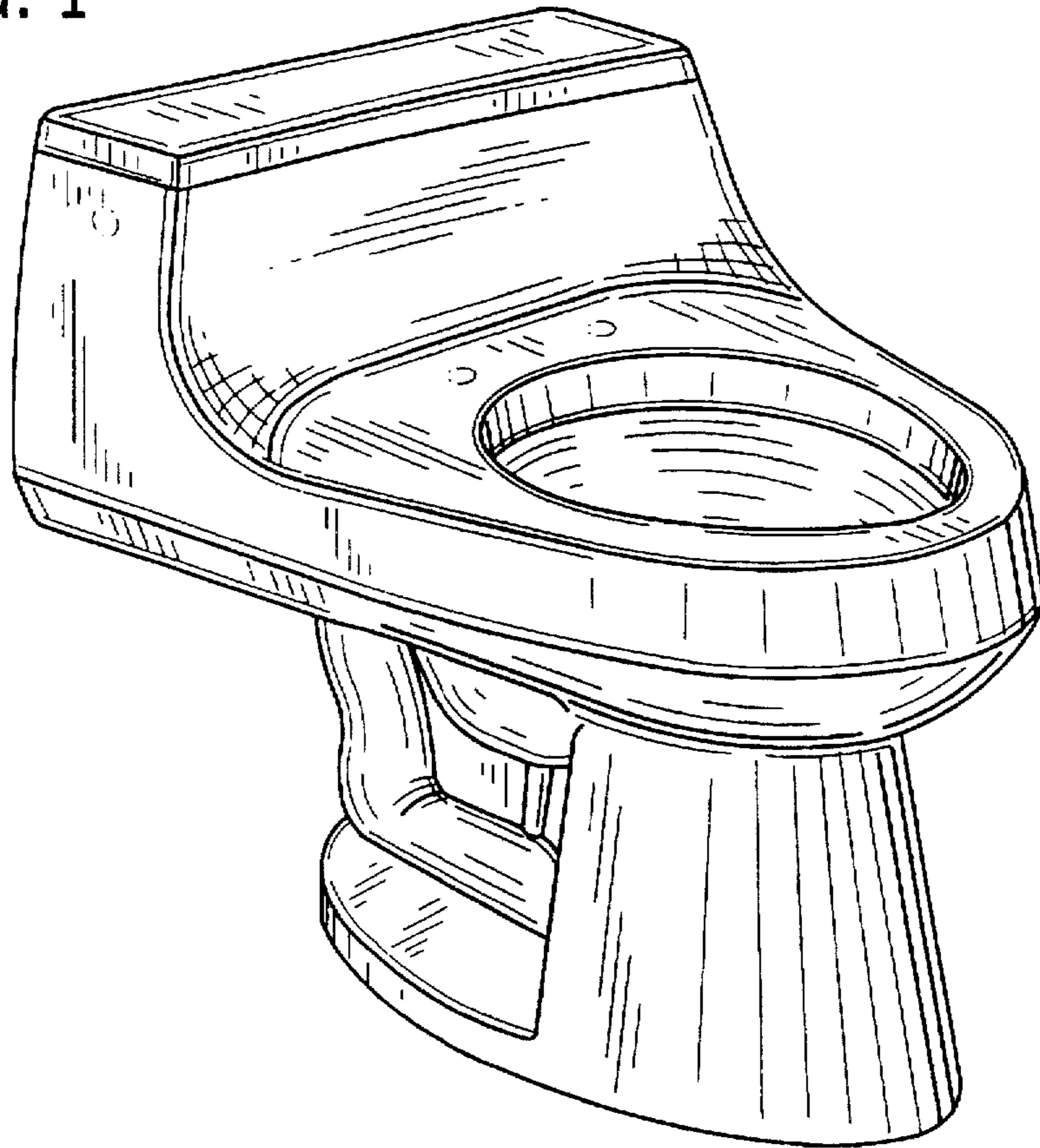


FIG. 2

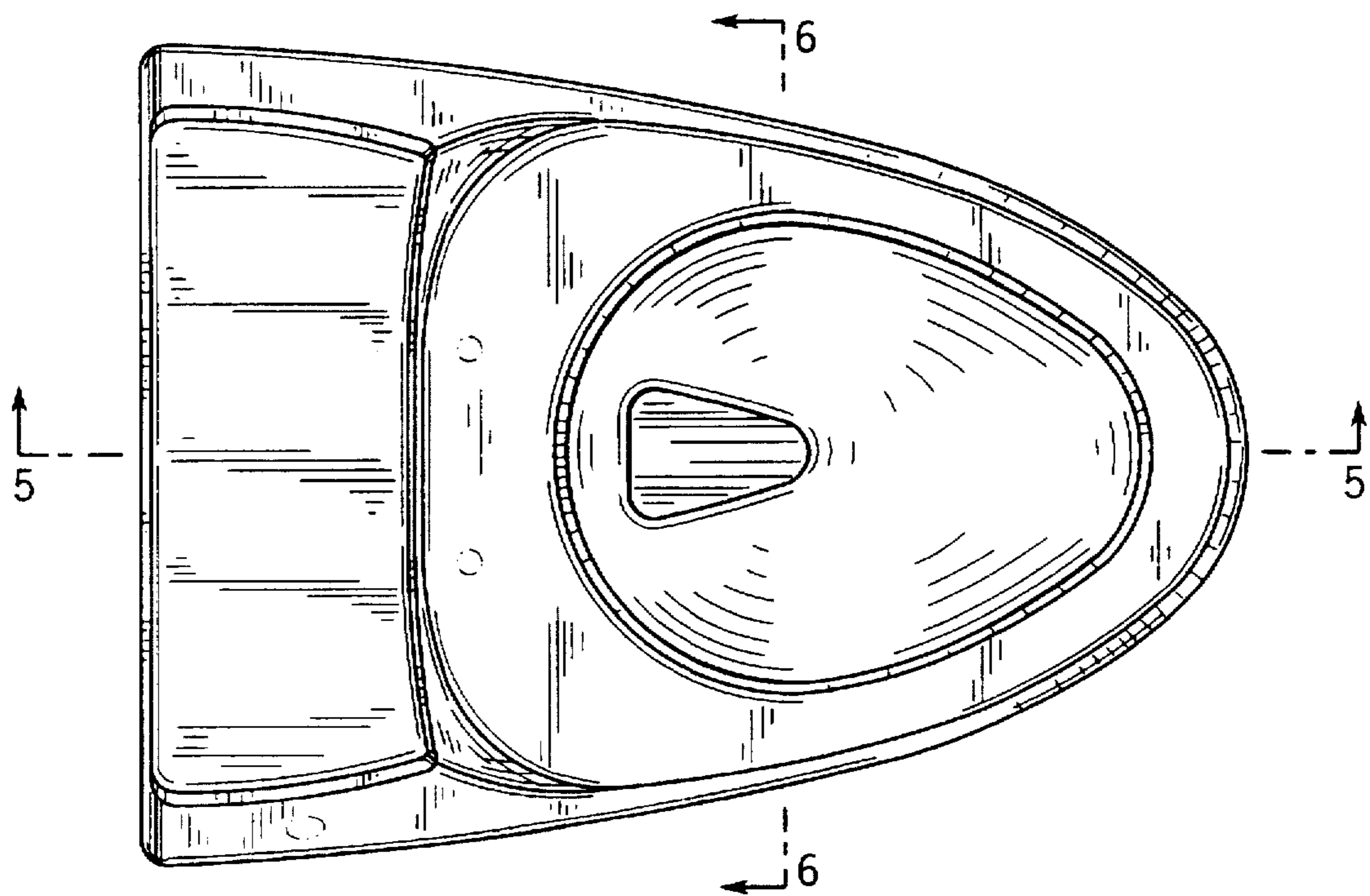


FIG. 3

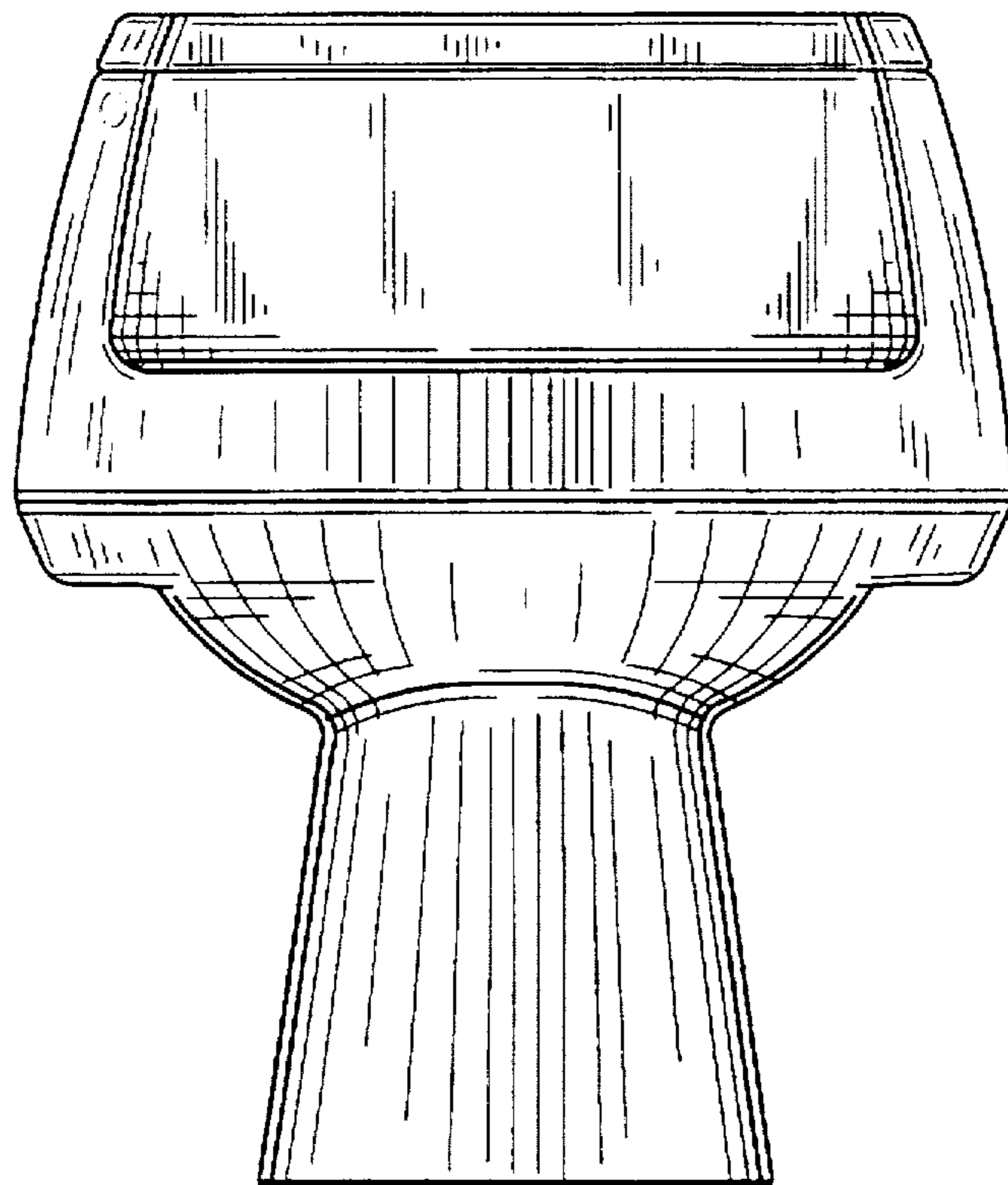


FIG. 4

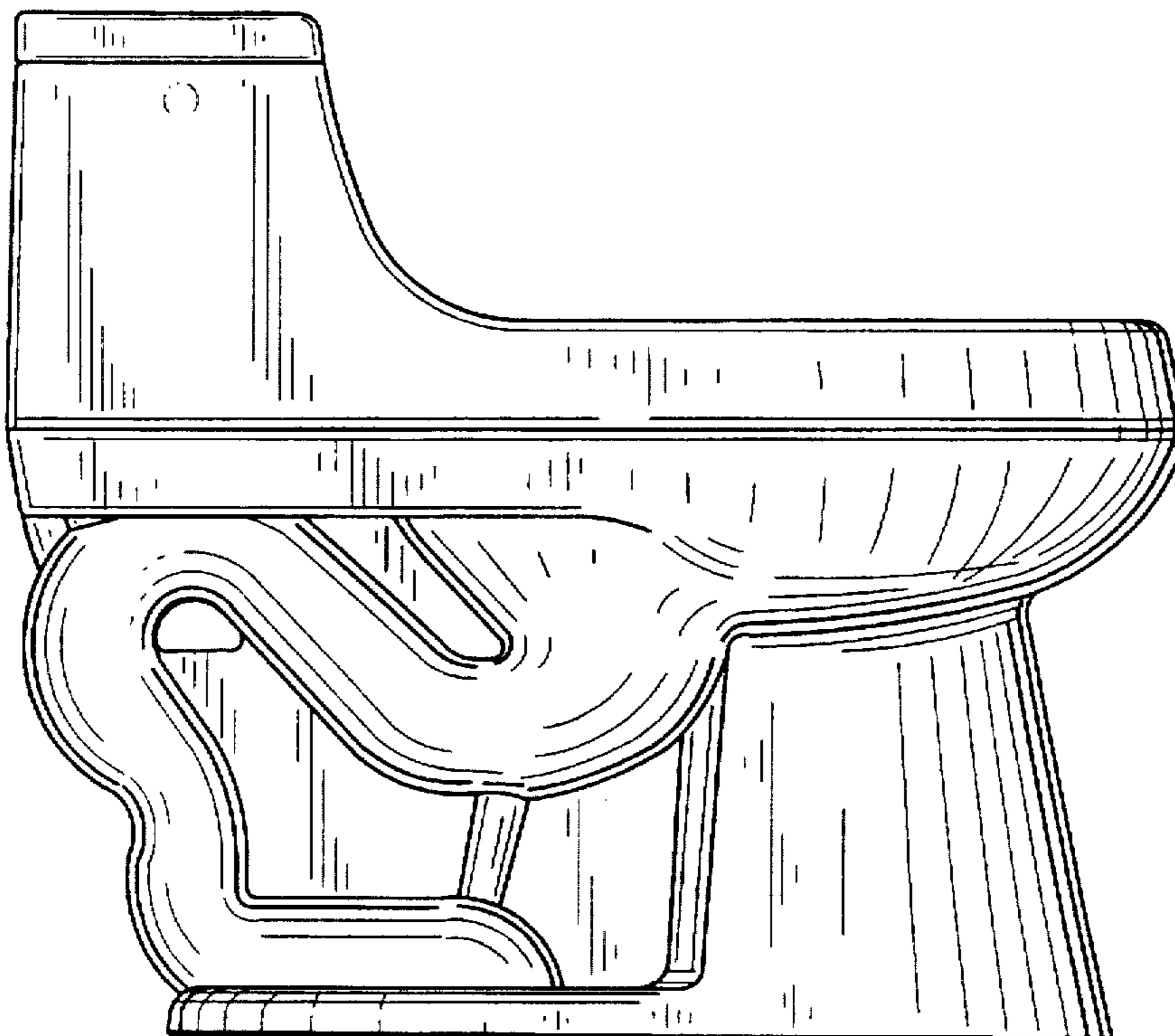


FIG. 5

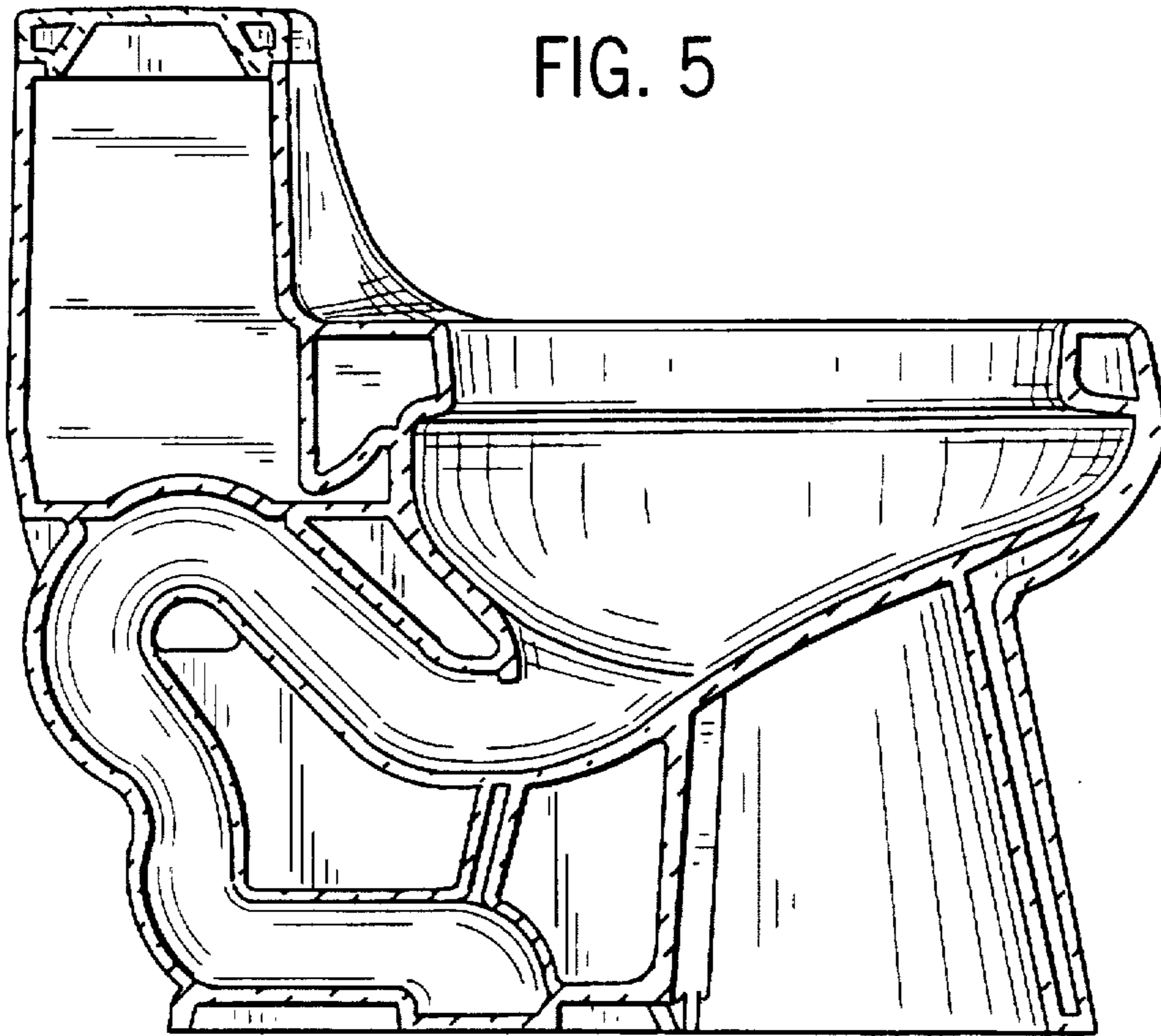


FIG. 6

