



US00D397213S

United States Patent [19] Bonnell

[11] Patent Number: **Des. 397,213**

[45] Date of Patent: ****Aug. 18, 1998**

[54] **SINK**

[75] Inventor: **Thomas A. Bonnell**, Sheboygan, Wis.

[73] Assignee: **Kohler Co.**, Kohler, Wis.

[**] Term: **14 Years**

[21] Appl. No.: **65,005**

[22] Filed: **Jan. 15, 1997**

[51] **LOC (6) Cl.** **23-02**

[52] **U.S. Cl.** **D23/290**

[58] **Field of Search** D23/284-293.1;
4/619, 624, 625, 626, 638-650

Undated Juliette ad showing various kitchen sinks, admitted prior art.

Undated Juliette ad showing a "l'Astucieuse" sink, admitted prior art.

Undated Asterite ad showing a "Supersink", admitted prior art.

Undated Asterite ad showing a "Supersink 2000", admitted prior art.

Primary Examiner—Louis S. Zarfes

Assistant Examiner—Eric Watterson

Attorney, Agent, or Firm—Quarles & Brady

[57] CLAIM

The ornamental design for a sink, as shown and described.

[56] References Cited

U.S. PATENT DOCUMENTS

D. 259,439	6/1981	Doman	D23/287
D. 319,688	9/1991	Jung et al.	D23/287
D. 322,845	12/1991	Gooke et al.	D23/287
D. 324,428	3/1992	Downs	D23/287
D. 324,903	3/1992	Sauter et al.	D23/287
D. 329,279	9/1992	Blanc et al.	D23/287
D. 356,859	3/1995	Formgren	D23/287

OTHER PUBLICATIONS

Undated Jacob Delafon ad showing "Everest" sink, admitted prior art.

Undated Jacob Delafon ad showing an "Evier" sink, admitted prior art.

Undated ad showing sink, supplier unknown, admitted prior art.

Undated ad showing various dual-level sinks, supplier unknown, admitted prior art.

Undated Blanco ad showing various kitchen sinks, admitted prior art.

Undated ad showing various kitchen sinks, supplier unknown, admitted prior art.

Undated Kohler ad showing various kitchen sinks, admitted prior art.

DESCRIPTION

FIG. 1 is a left, top, front perspective view of a sink embodying my new design;

FIG. 2 is a top plan view thereof;

FIG. 3 is a front elevational view thereof, the rear elevational view being a mirror image of the front side shown;

FIG. 4 is a right side elevational view thereof;

FIG. 5 is a left side elevational view thereof;

FIG. 6 is a cross-sectional view taken along line 6—6 of FIG. 2;

FIG. 7 is a cross-sectional view taken along line 7—7 of FIG. 2;

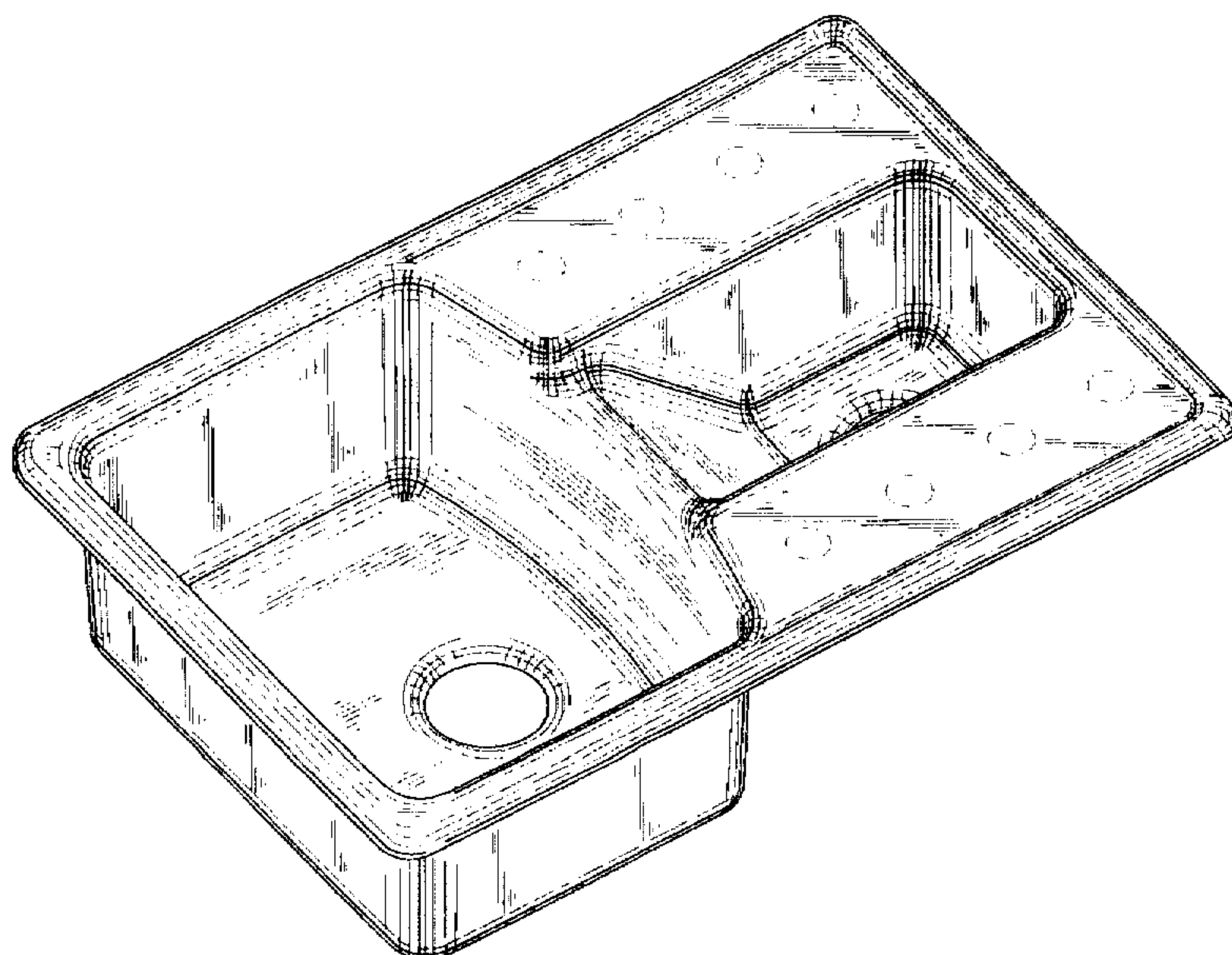
FIG. 8 is a cross-sectional view taken along line 8—8 of FIG. 2;

FIG. 9 is a left, top, front perspective view of a second embodiment which is essentially identical to the first embodiment but for the slab-like outer mounting rim; and,

FIG. 10 is a cross-sectional view taken along line 10—10 of FIG. 9.

The broken line representations of holes in FIGS. 1, 2, and 9 are for purposes of illustration only, and form no part of the claimed design.

1 Claim, 7 Drawing Sheets



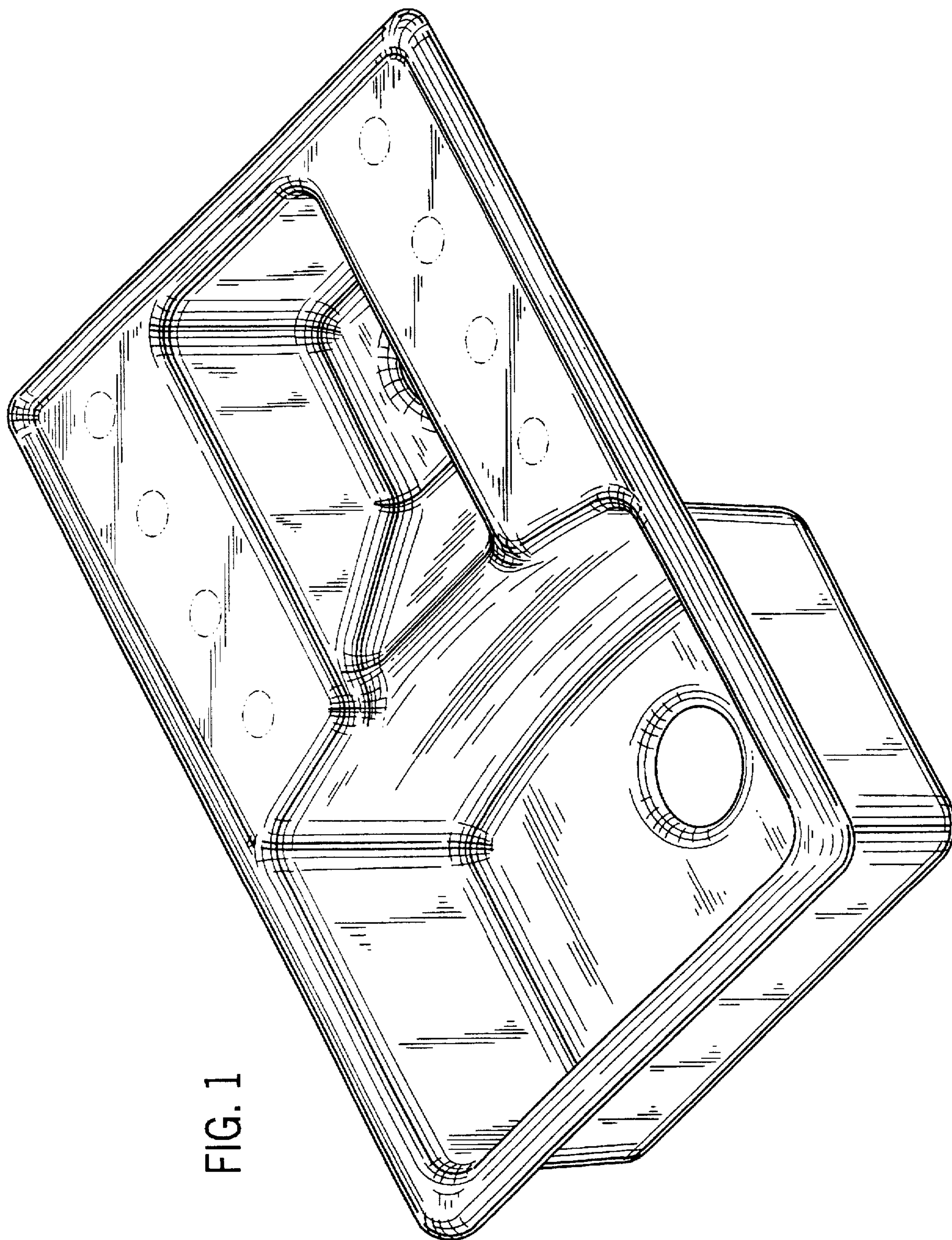


FIG. 1

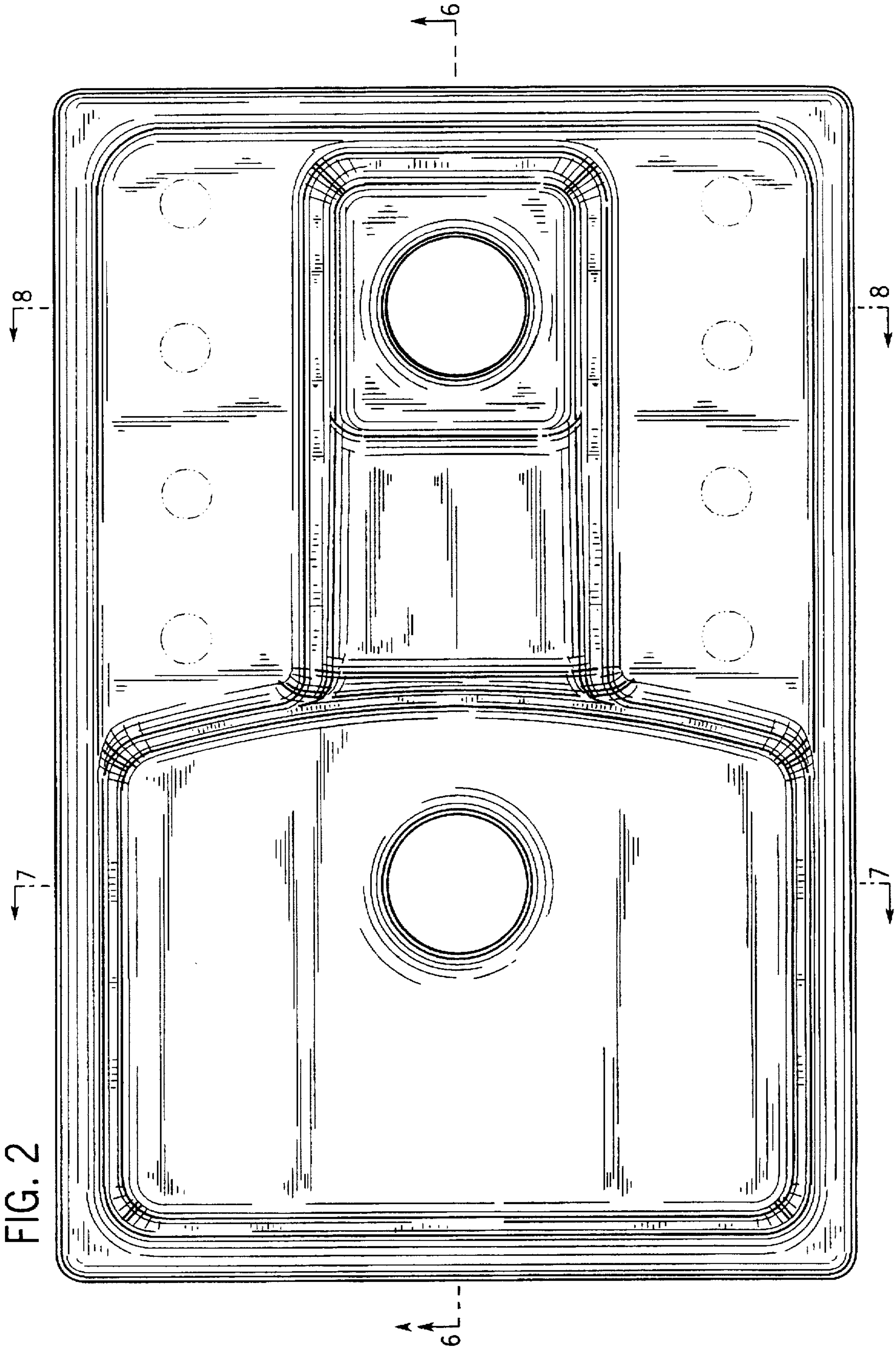


FIG. 2

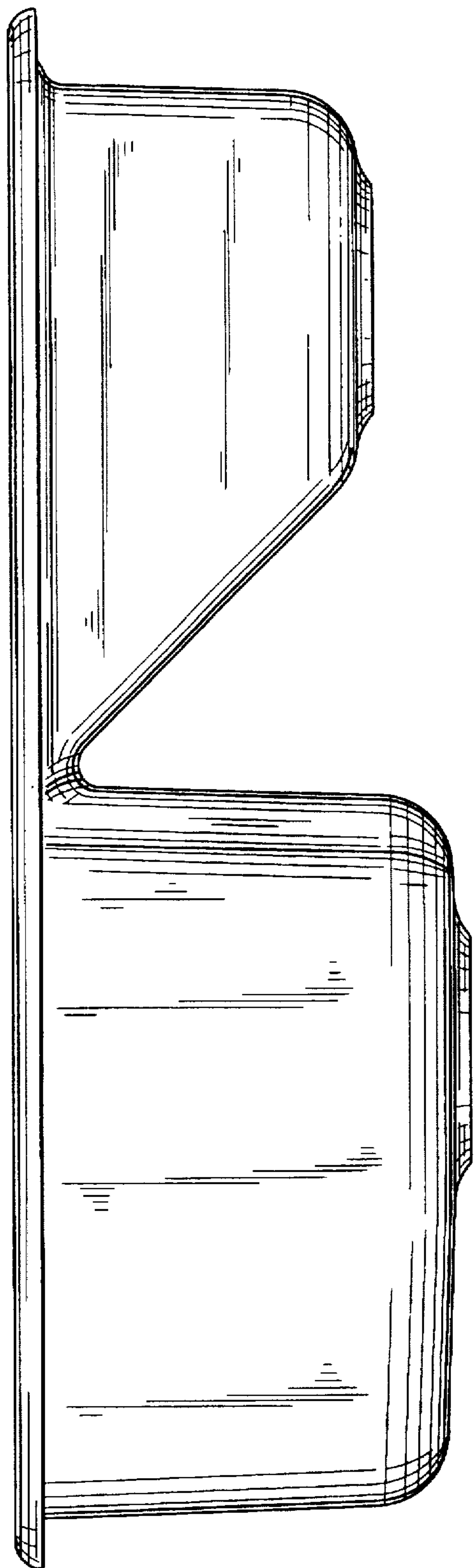


FIG. 3

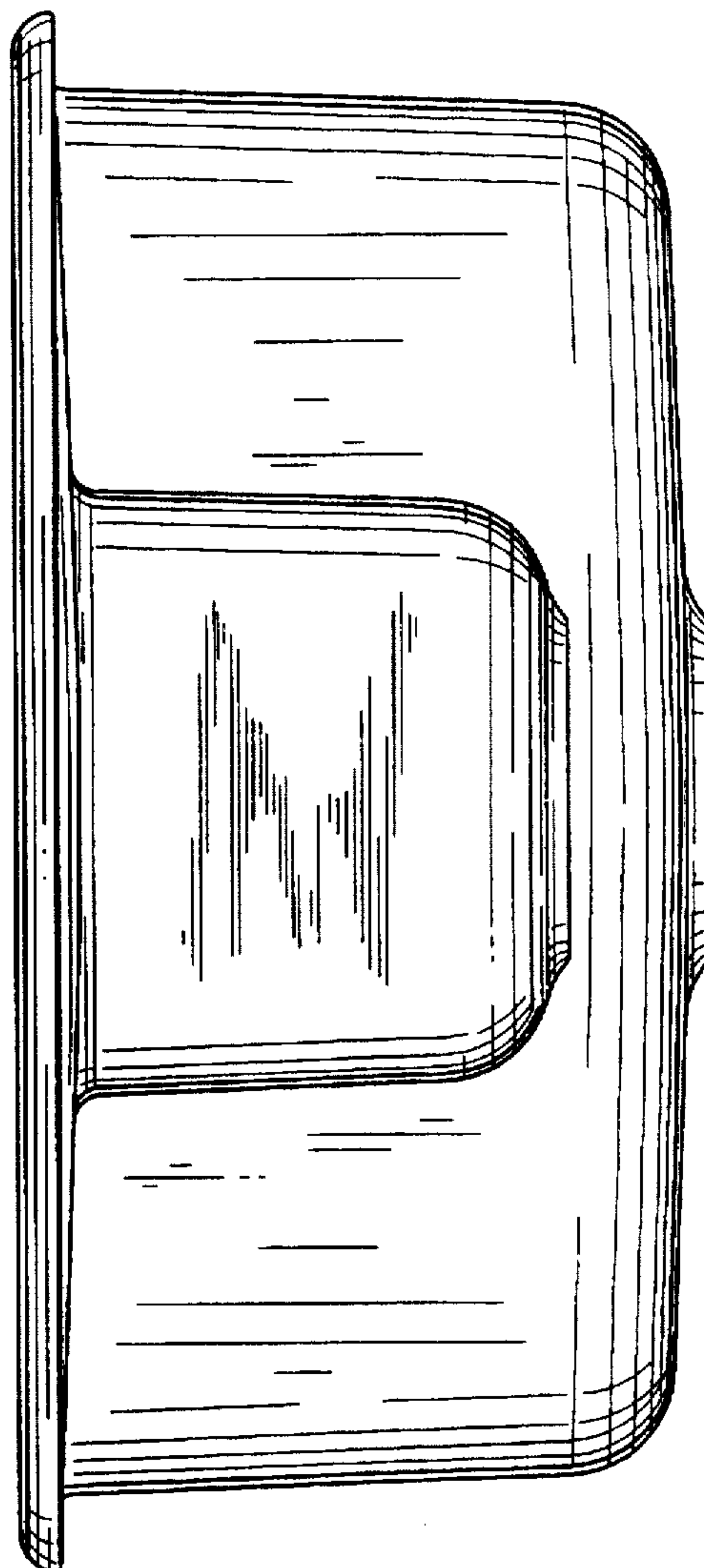


FIG. 4

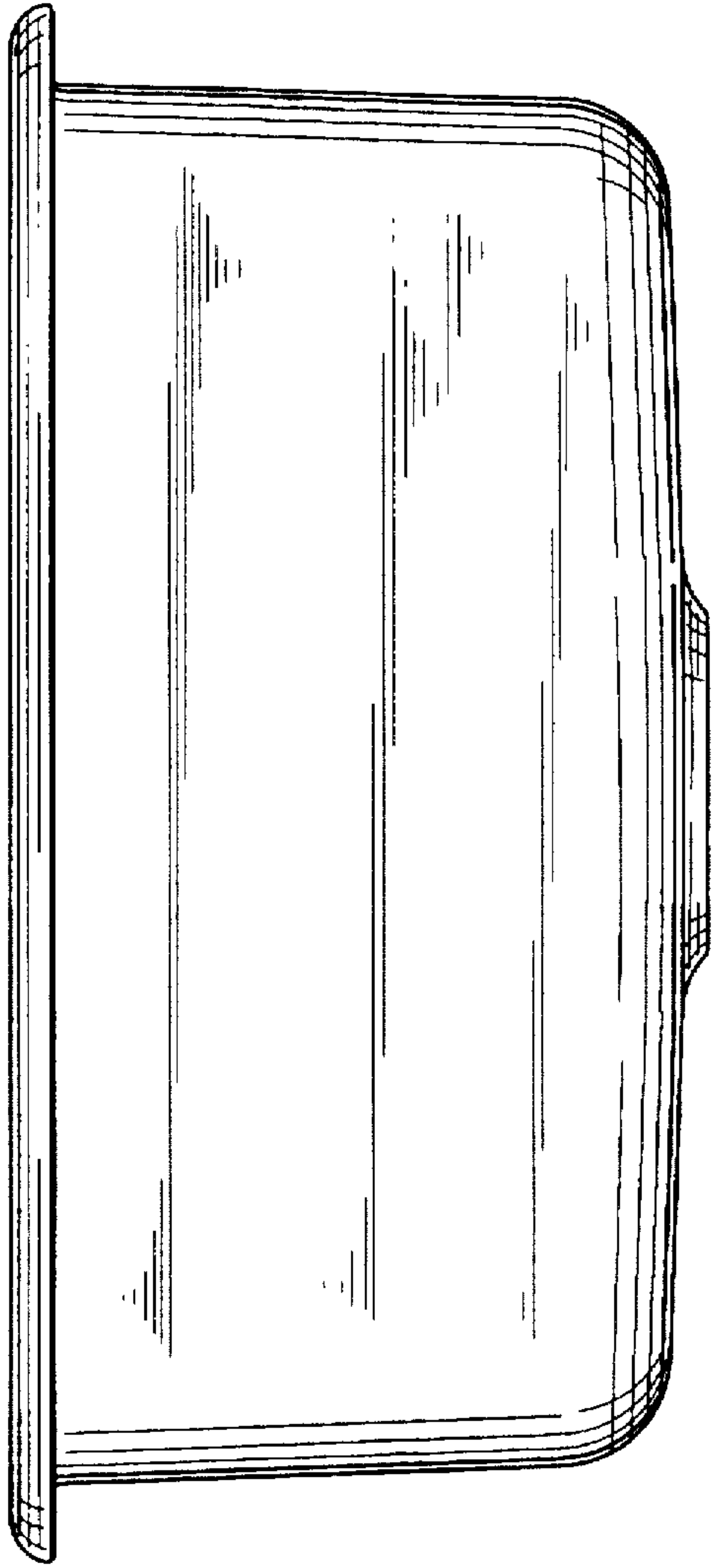


FIG. 5

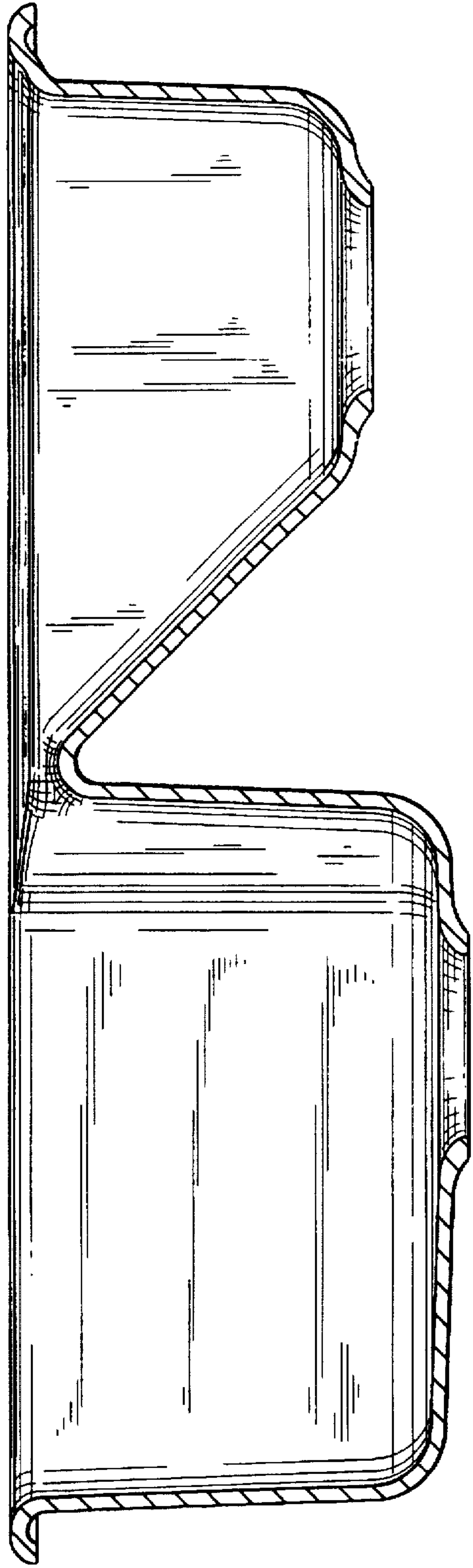


FIG. 6

FIG. 7

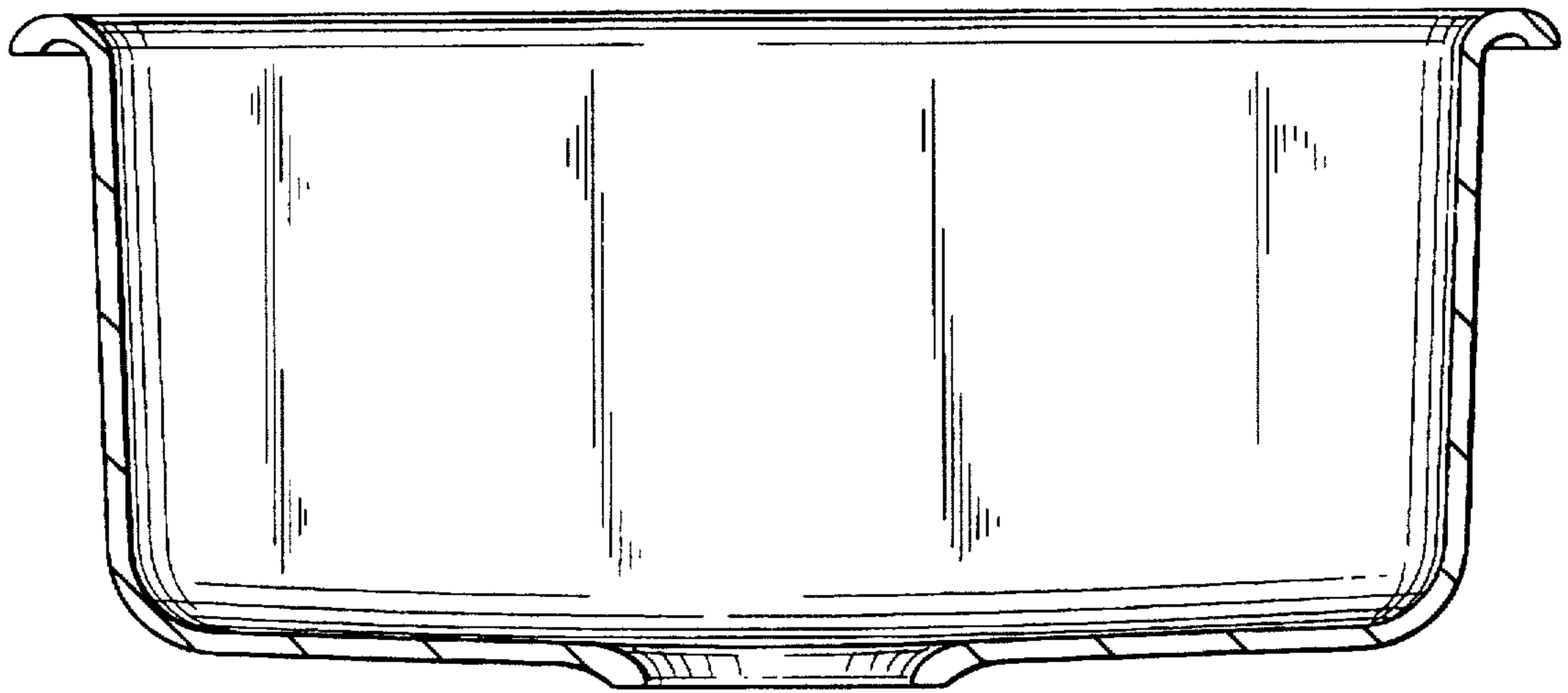
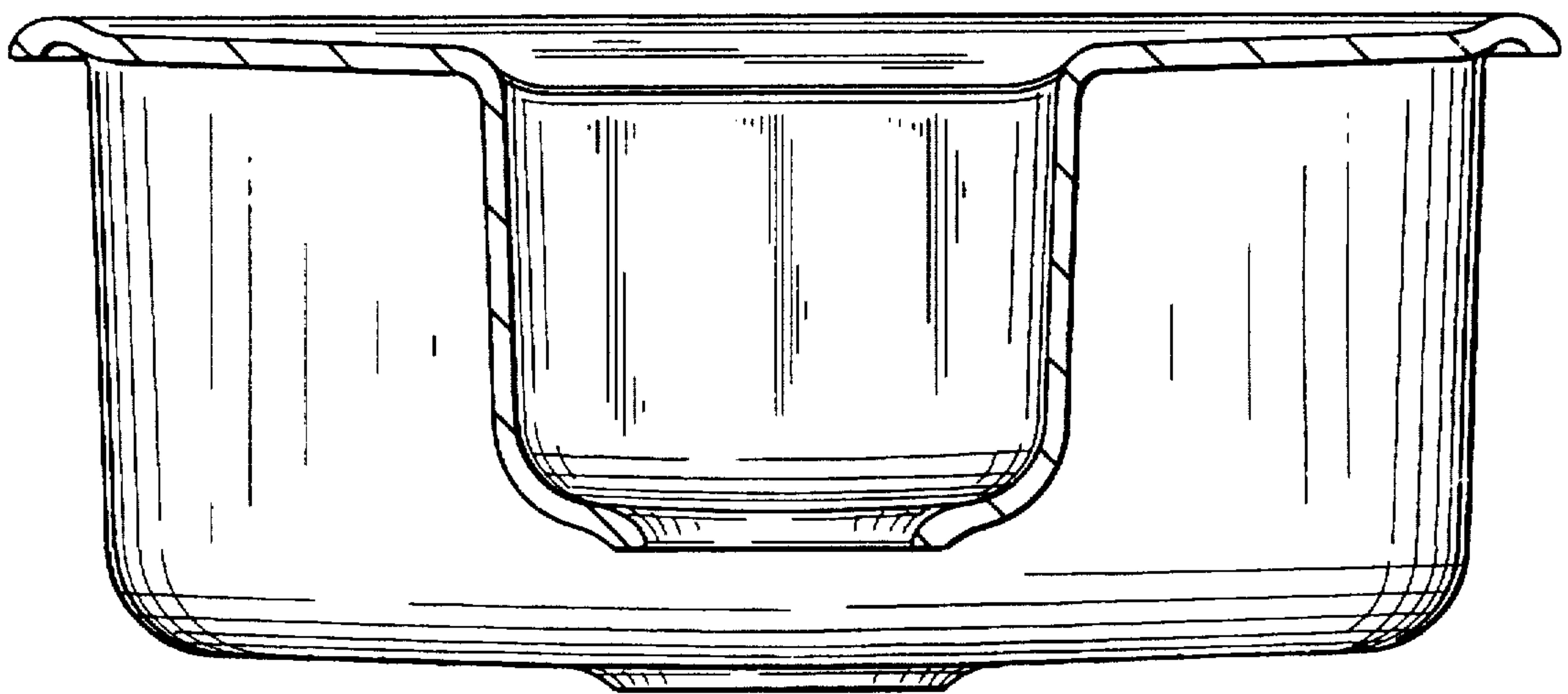


FIG. 8



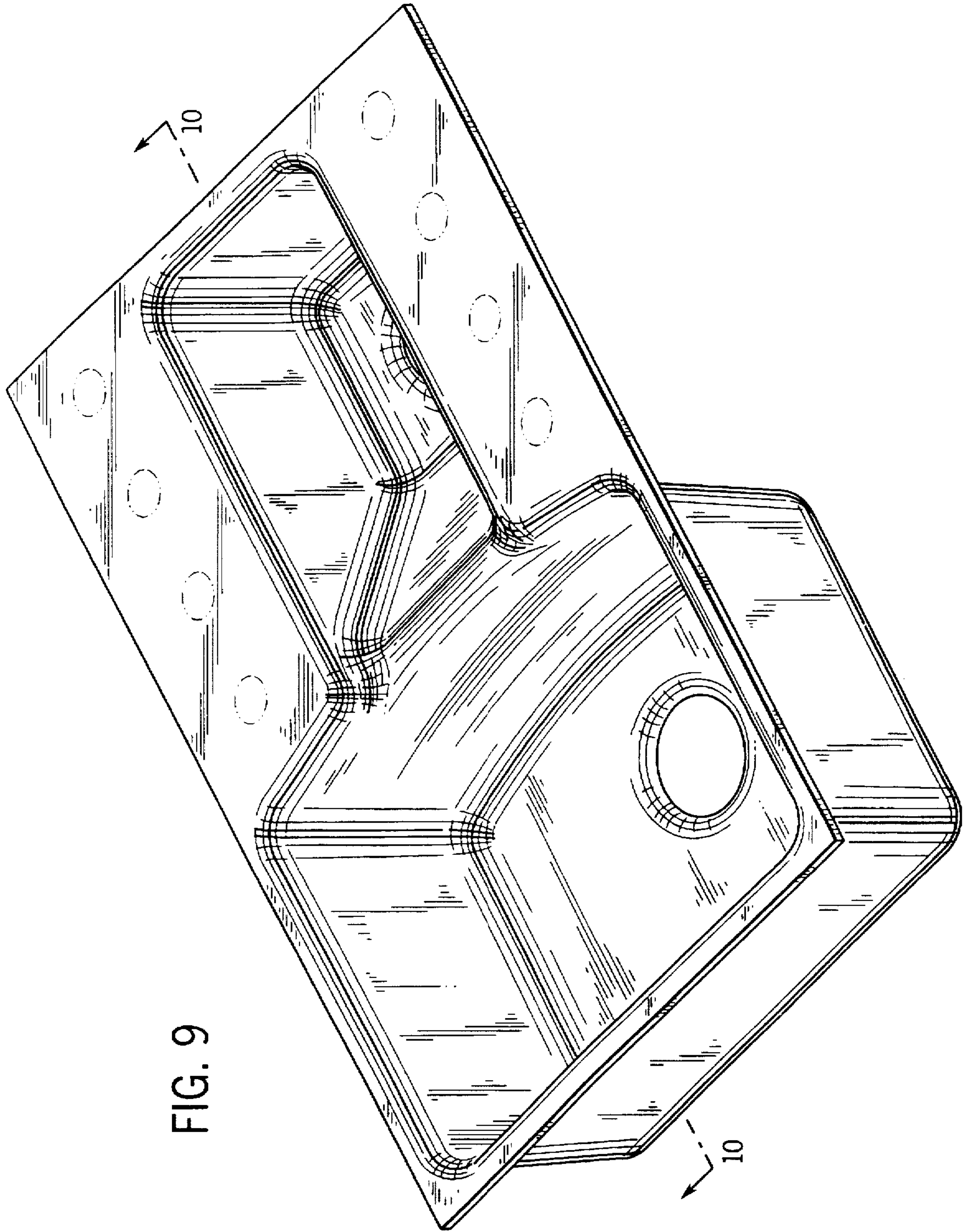


FIG. 9

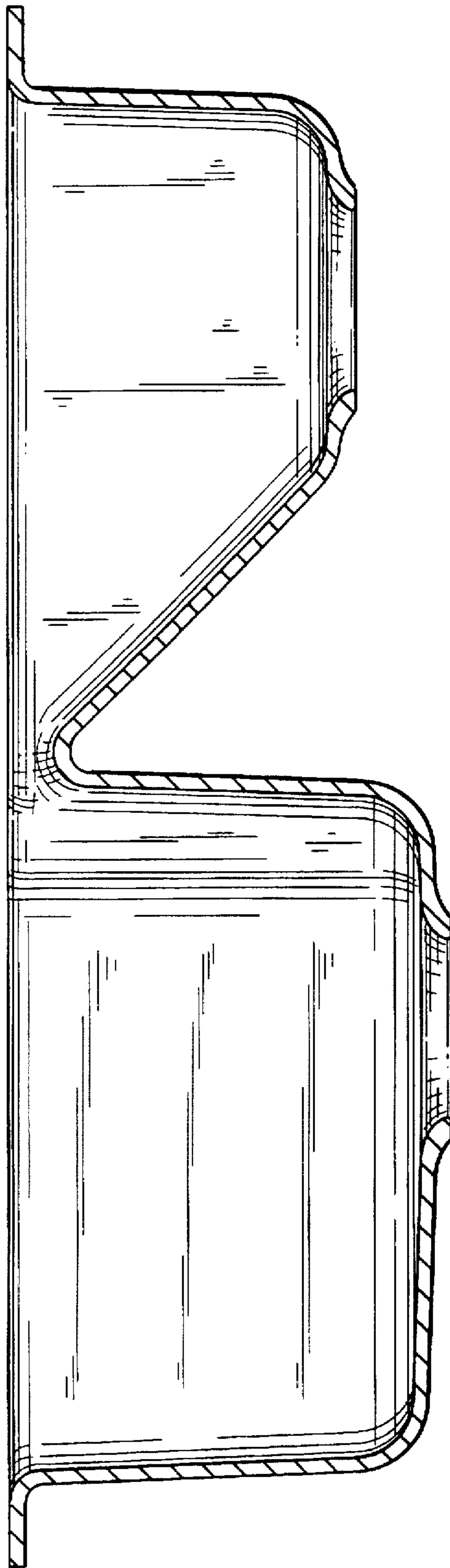


FIG. 10