



US00D397212S

United States Patent [19]

Hirano et al.

[11] Patent Number: Des. 397,212

[45] Date of Patent: **Aug. 18, 1998

[54] JOINT FOR PIPE STRUCTURE

[75] Inventors: Seiji Hirano; Asao Shoda, both of Shizuoka, Japan

[73] Assignee: Yazaki Industrial Chemical Co., Ltd., Shizuoka, Japan

[**] Term: 14 Years

[21] Appl. No.: 82,435

[22] Filed: Jan. 22, 1998

[51] LOC (6) Cl. 23-01

[52] U.S. Cl. D23/262

[58] Field of Search D23/259, 262, 263, 264, 266; 285/163, 166, 165, 198, 303

[56] References Cited

U.S. PATENT DOCUMENTS

D. 291,481	8/1987	Vassallo et al.	D23/263
D. 296,816	7/1988	Brudzinski et al.	D23/263
D. 392,372	3/1998	Saito et al.	D23/262

Primary Examiner—Marcus A. Jackson
Attorney, Agent, or Firm—Eric P. Schellin

[57] CLAIM

The ornamental design for a joint for pipe structure, as shown and described.

DESCRIPTION

FIG. 1 is a top, front, and right side perspective view of a joint for pipe structure showing our new design;
 FIG. 2 is a top plan view;
 FIG. 3 is a front elevational view;
 FIG. 4 is a right side elevational view;
 FIG. 5 is a left side elevational view;
 FIG. 6 is a bottom plan view;
 FIG. 7 is a cross sectional view taken in the direction of the arrows on line VII—VII of FIG. 2;
 FIG. 8 is a cross sectional view taken in the direction of the arrows on line VIII—VIII of FIG. 3;
 FIG. 9 is a cross sectional view taken in the direction of the arrows on line IX—IX of FIG. 3;
 FIG. 10 is a top, front, and right side perspective view with the pipe being for illustrative purposes only; and,
 FIG. 11 is a reduced perspective view, the dashed-and-two-dotted lines showing of pipes, wires, and wheels, the full lines showing of the joints for the pipe structure and additional joints for the pipe structure being for illustrative purposes only.

1 Claim, 5 Drawing Sheets

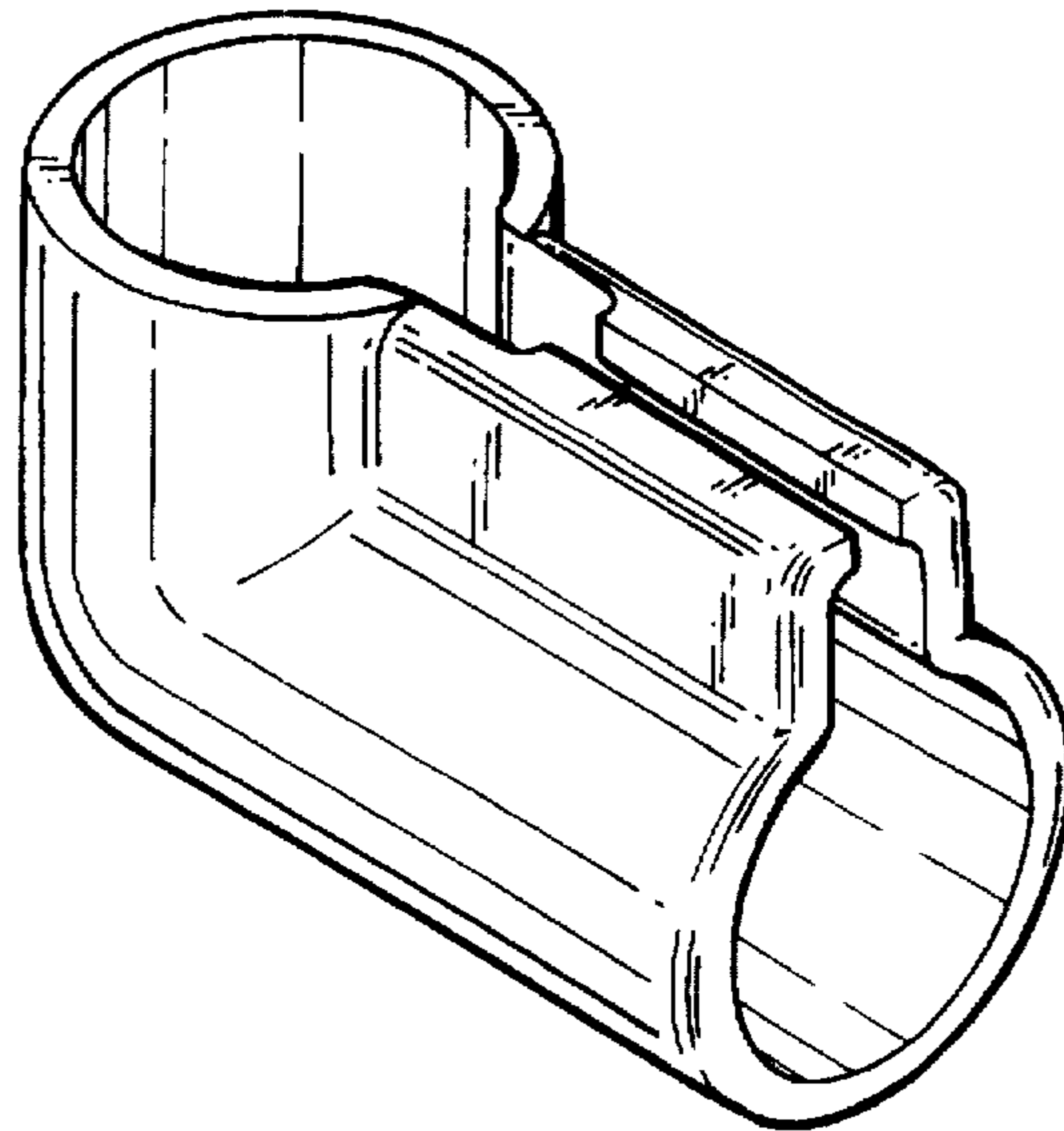


FIG. 1

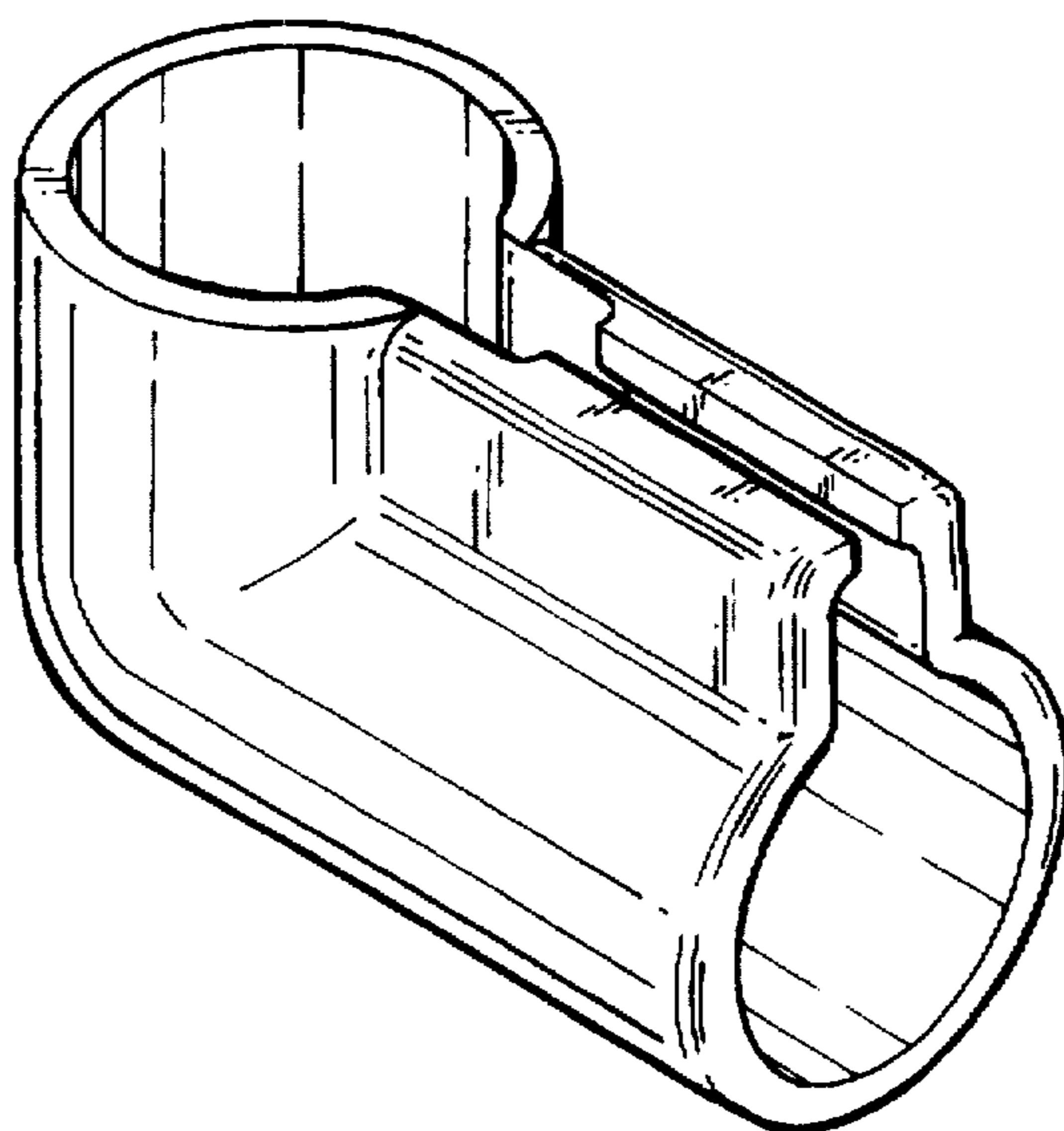


FIG. 2

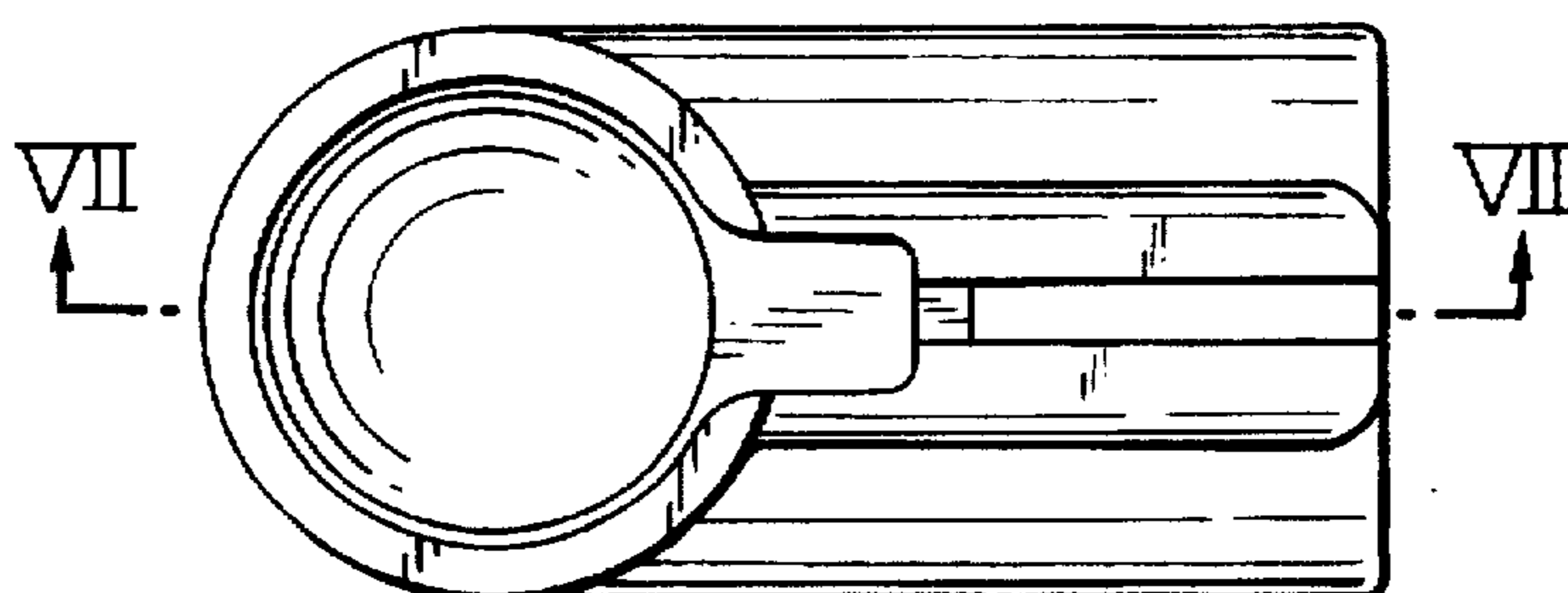


FIG. 3

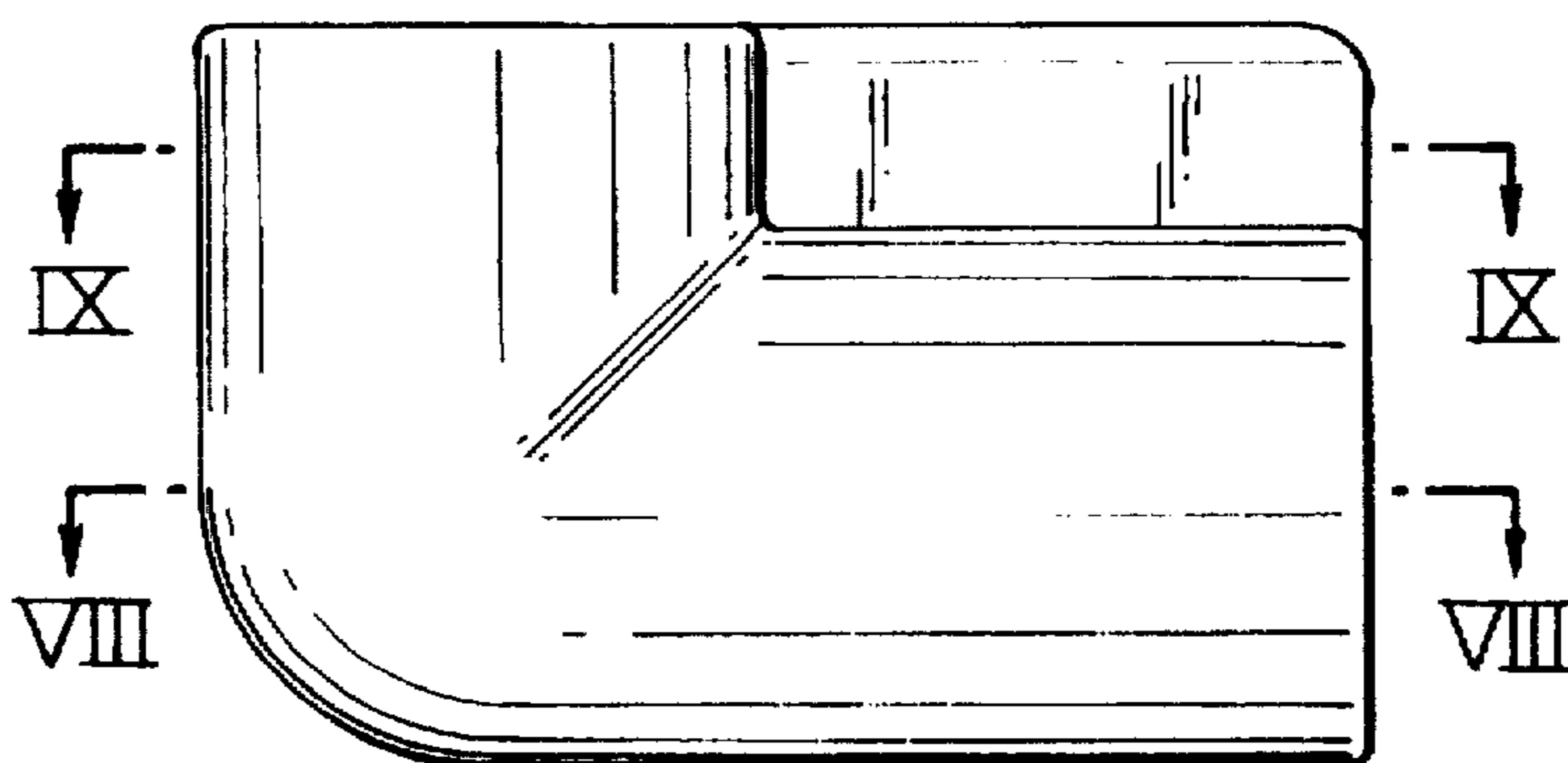


FIG. 4

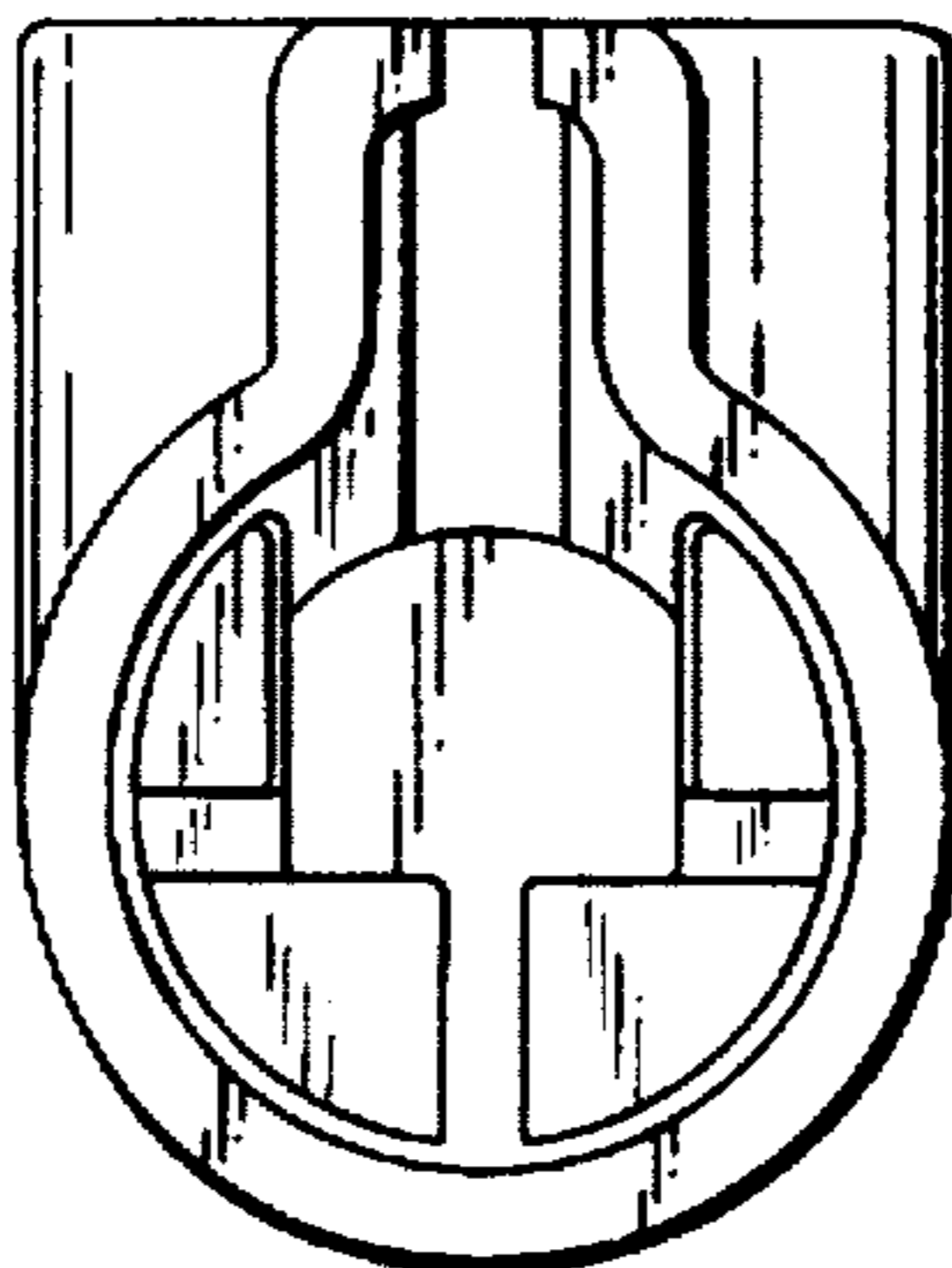


FIG. 5

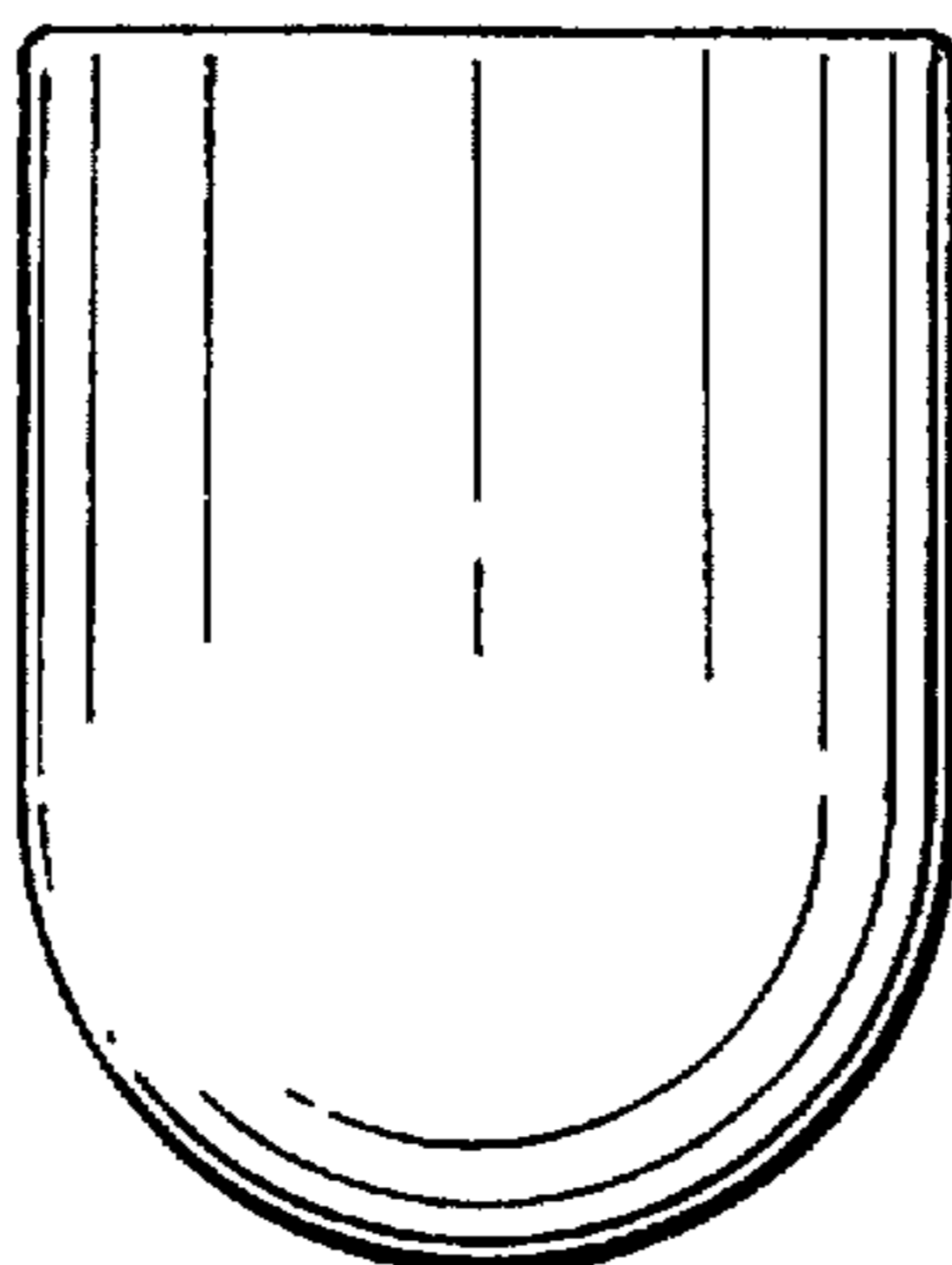


FIG. 6

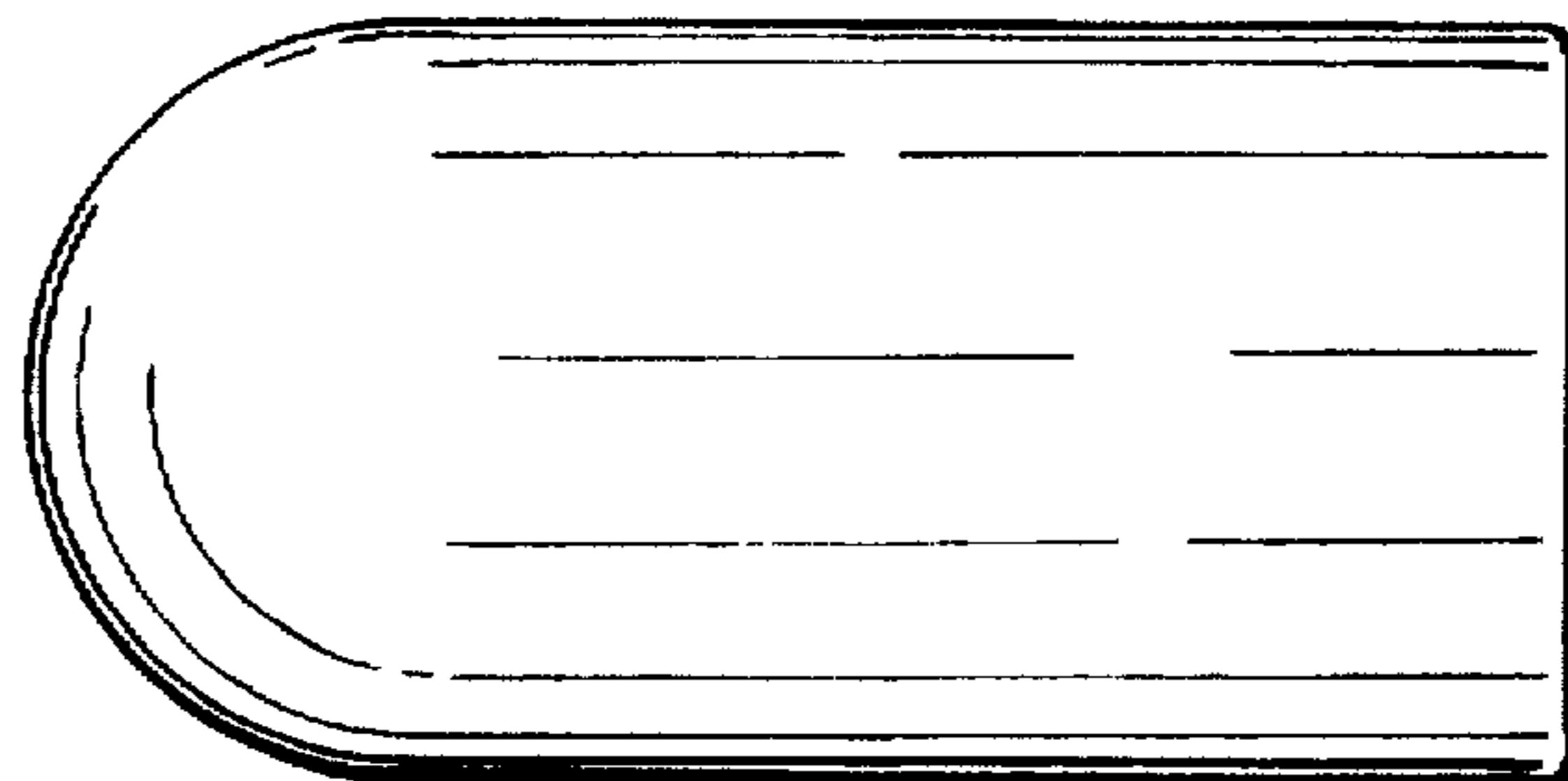


FIG. 7

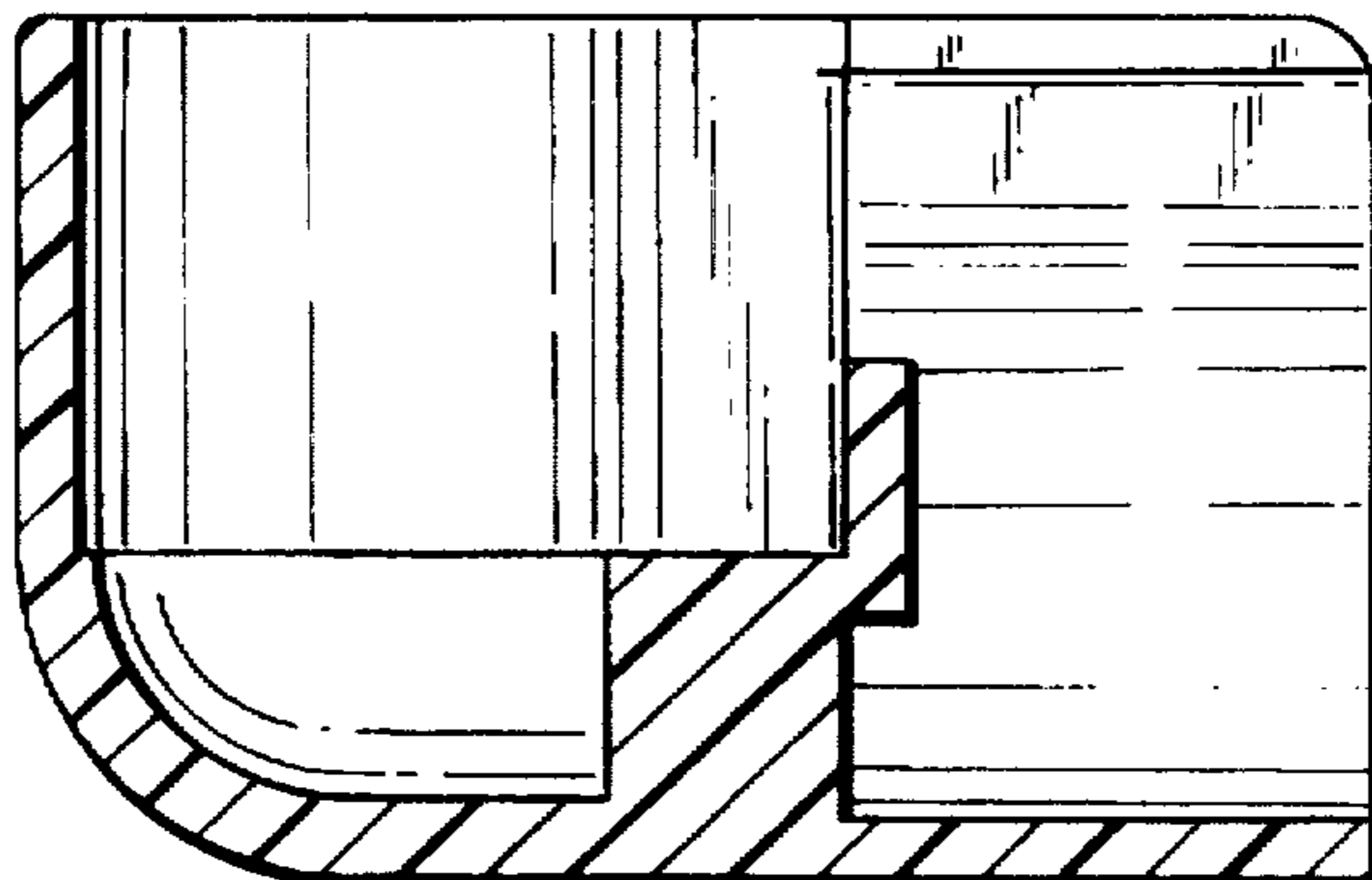


FIG. 8

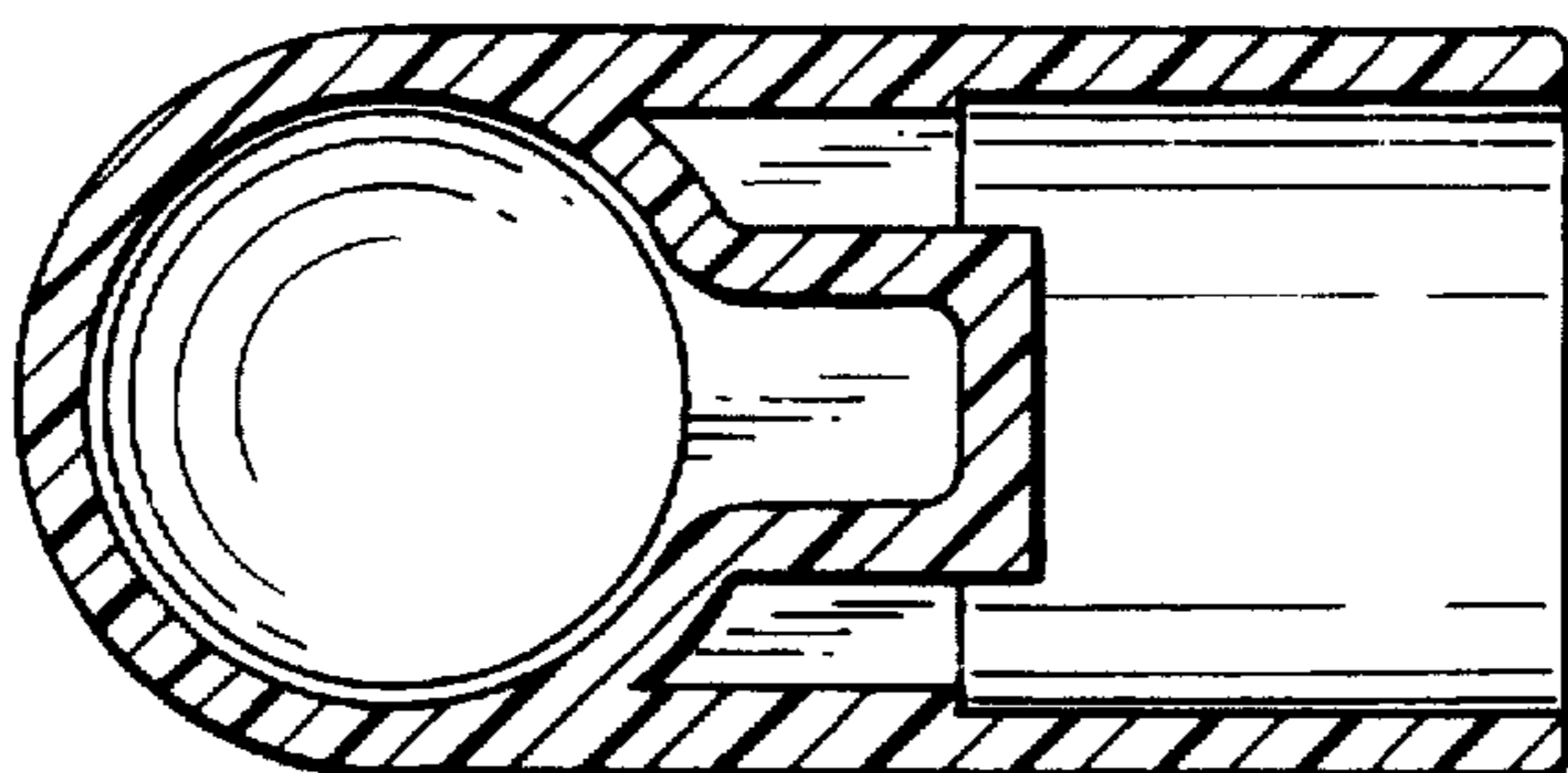


FIG. 9

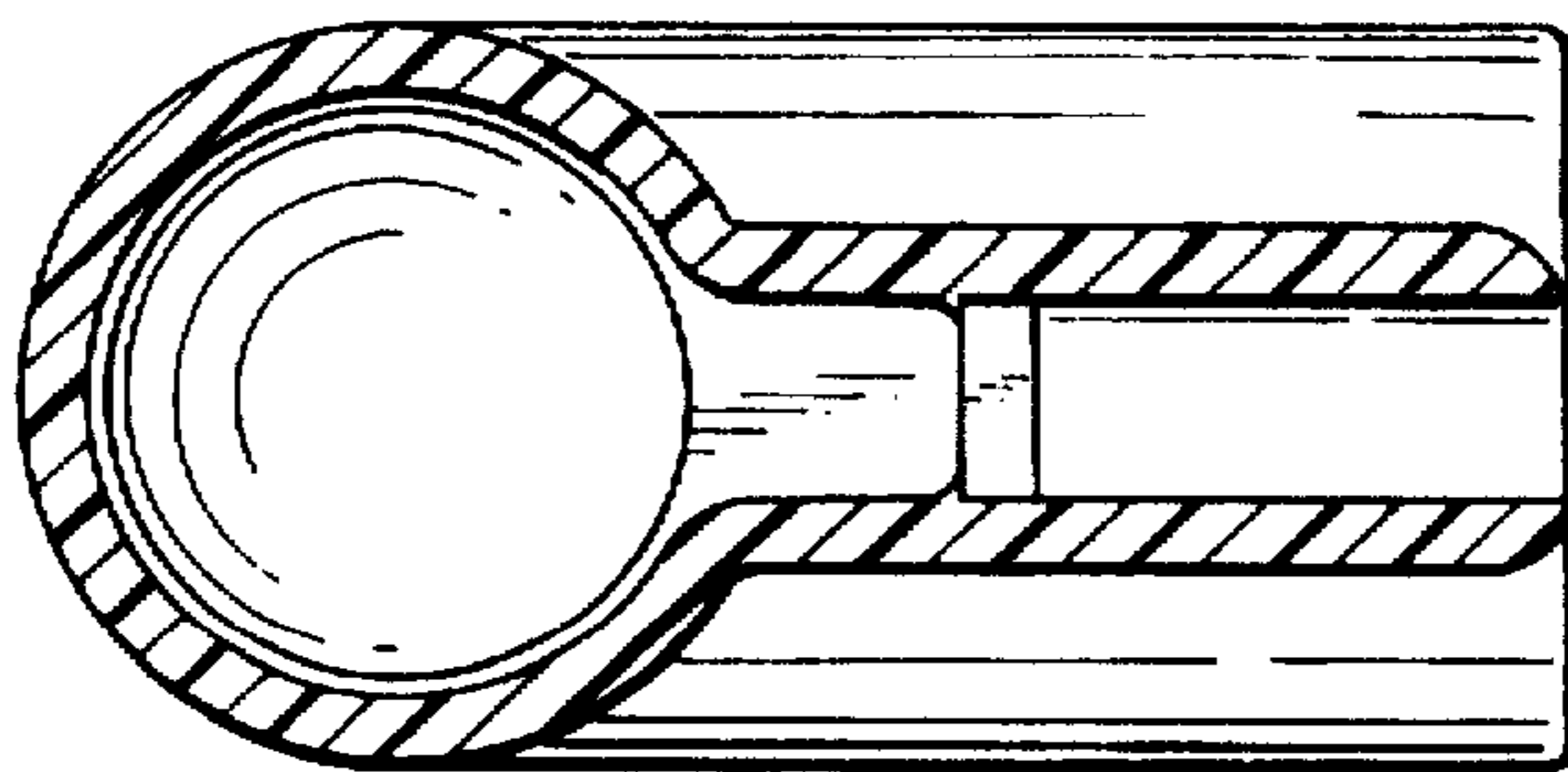


FIG. 10

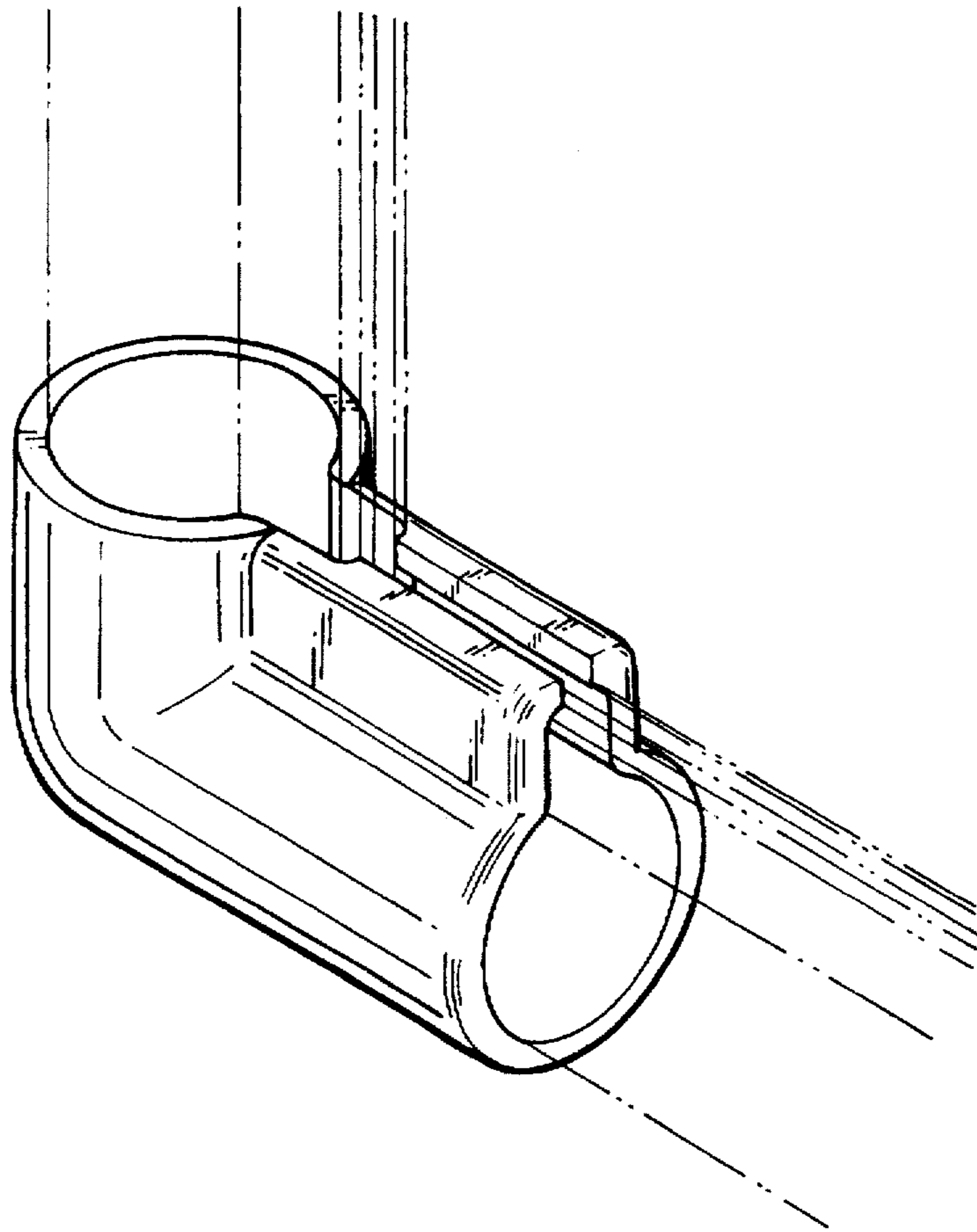


FIG. 11

