



US00D397211S

United States Patent [19]

Hirano et al.

[11] Patent Number: Des. 397,211

[45] Date of Patent: **Aug. 18, 1998

[54] **JOINT FOR PIPE STRUCTURE**

[75] Inventors: **Seiji Hirano; Asao Shoda**, both of Shizuoka, Japan

[73] Assignee: **Yazaki Industrial Chemical Co., Ltd.**, Shizuoka, Japan

[**] Term: **14 Years**

[21] Appl. No.: **82,434**

[22] Filed: **Jan. 22, 1998**

[51] LOC (6) Cl. **23-01**

[52] U.S. Cl. **D23/262**

[58] Field of Search **D23/259, 262, D23/263, 264, 266; 285/163, 165, 166, 198, 303**

[56] **References Cited**

U.S. PATENT DOCUMENTS

- D. 304,904 12/1989 Kercher D23/262
- D. 348,723 7/1994 Carroll D23/263
- D. 392,372 3/1998 Saito et al. D23/262

Primary Examiner—**Marcus A. Jackson**
Attorney, Agent, or Firm—**Eric P. Schellin**

[57] **CLAIM**

The ornamental design for a joint for pipe structure, as shown and described.

DESCRIPTION

FIG. 1 is a top, front, and right side perspective view of a joint for pipe structure showing our new design;
 FIG. 2 is a top plan view;
 FIG. 3 is a front elevational view;
 FIG. 4 is a right side elevational view;
 FIG. 5 is a left side elevational view;
 FIG. 6 is a bottom plan view;
 FIG. 7 is a rear elevational view;
 FIG. 8 is a cross sectional view taken in the direction of the arrows on line VIII—VIII of FIG. 2;
 FIG. 9 is a cross sectional view taken in the direction of the arrows on line IX—IX of FIG. 3;
 FIG. 10 is a cross sectional view taken in the direction of the arrows on line X—X of FIG. 3;
 FIG. 11 is a top, front, and right side perspective view with the pipe being for illustrative purposes only; and,
 FIG. 12 is a reduced perspective view, the dashed-and-two-dotted lines showing of pipes, wires, and wheels, the full lines showing of the joints for the pipe structure and additional joints for the pipe structure being for illustrative purposes only.

1 Claim, 5 Drawing Sheets

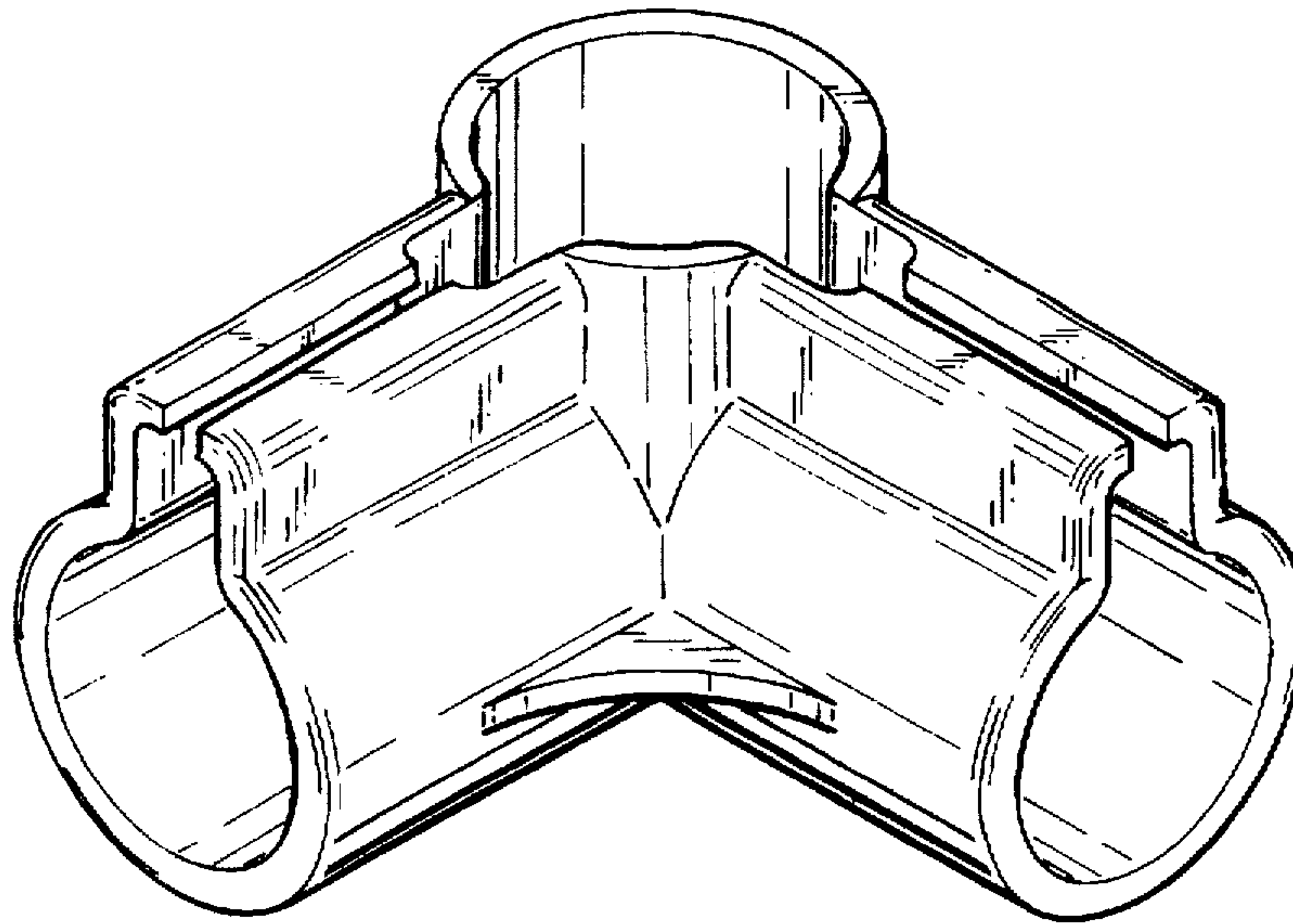


FIG. 1

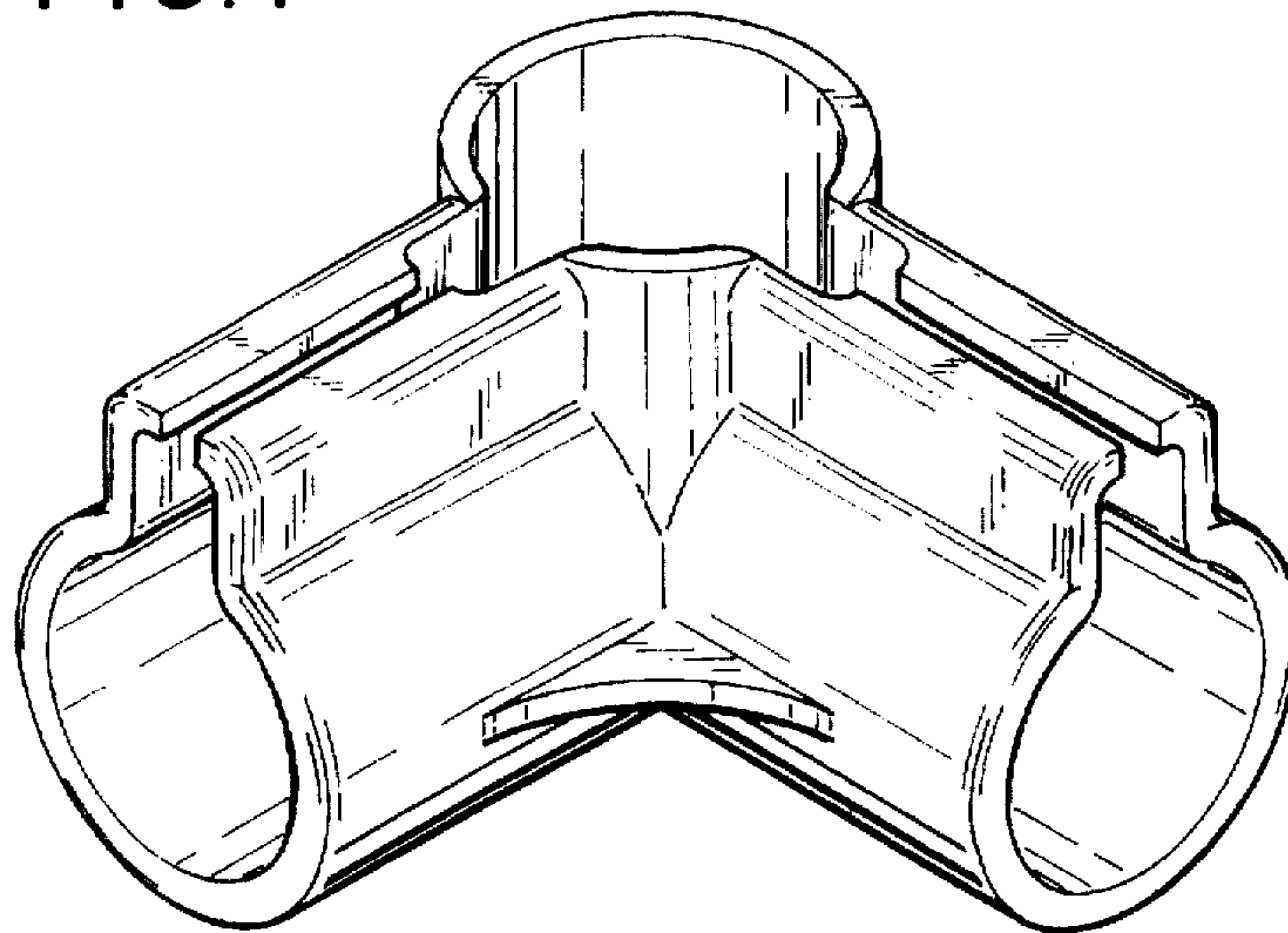


FIG. 2

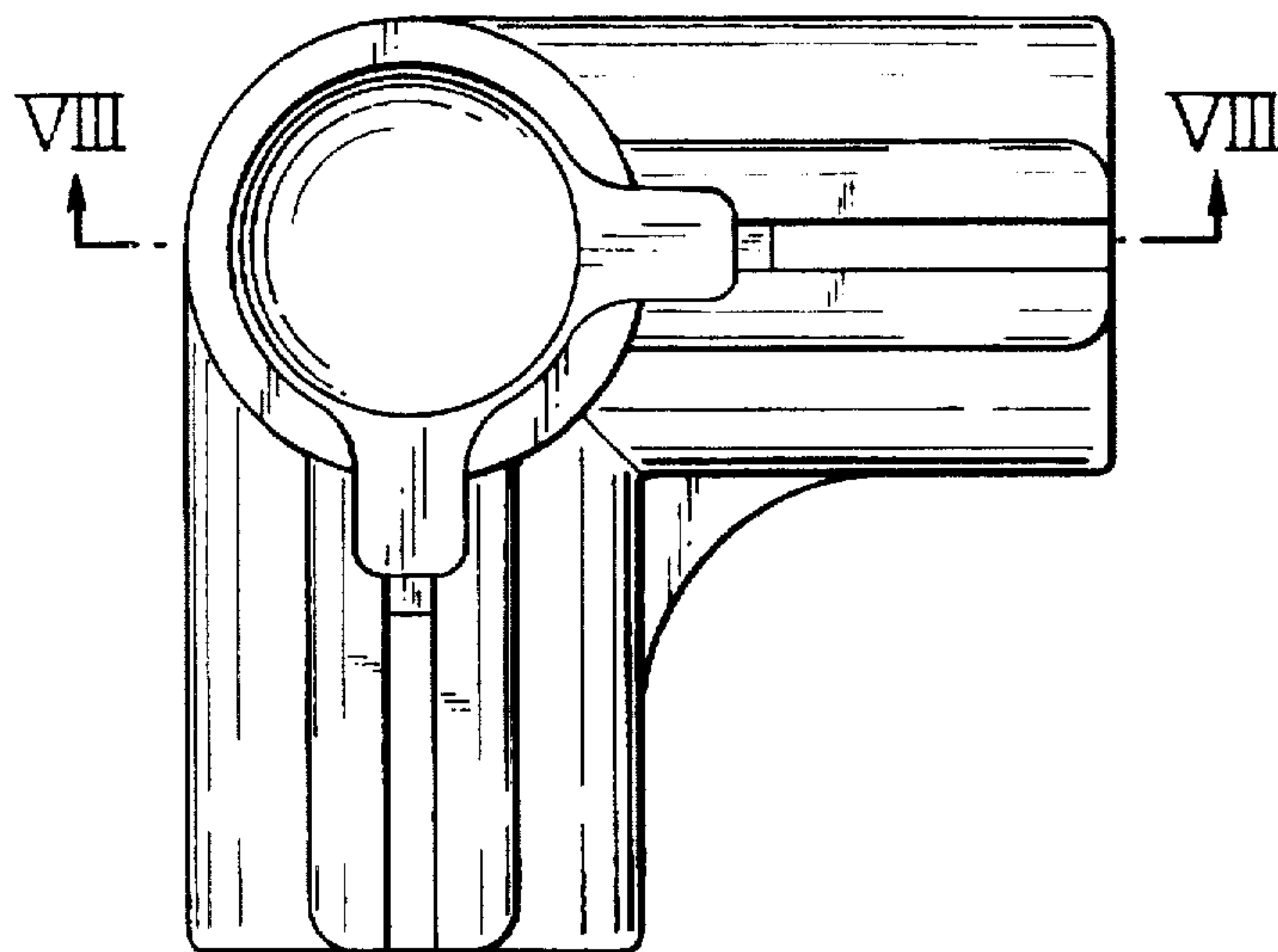


FIG. 3

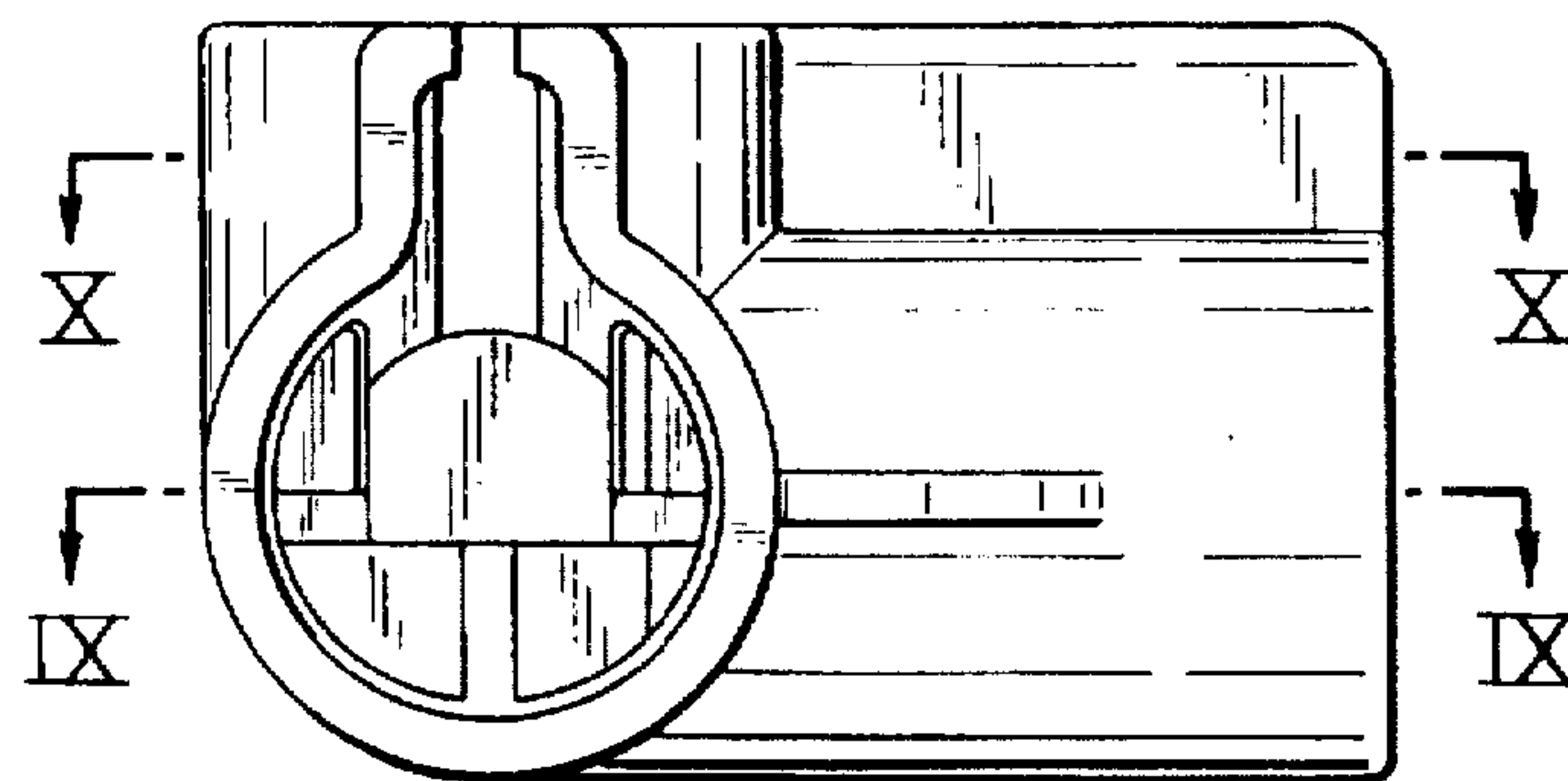


FIG. 4

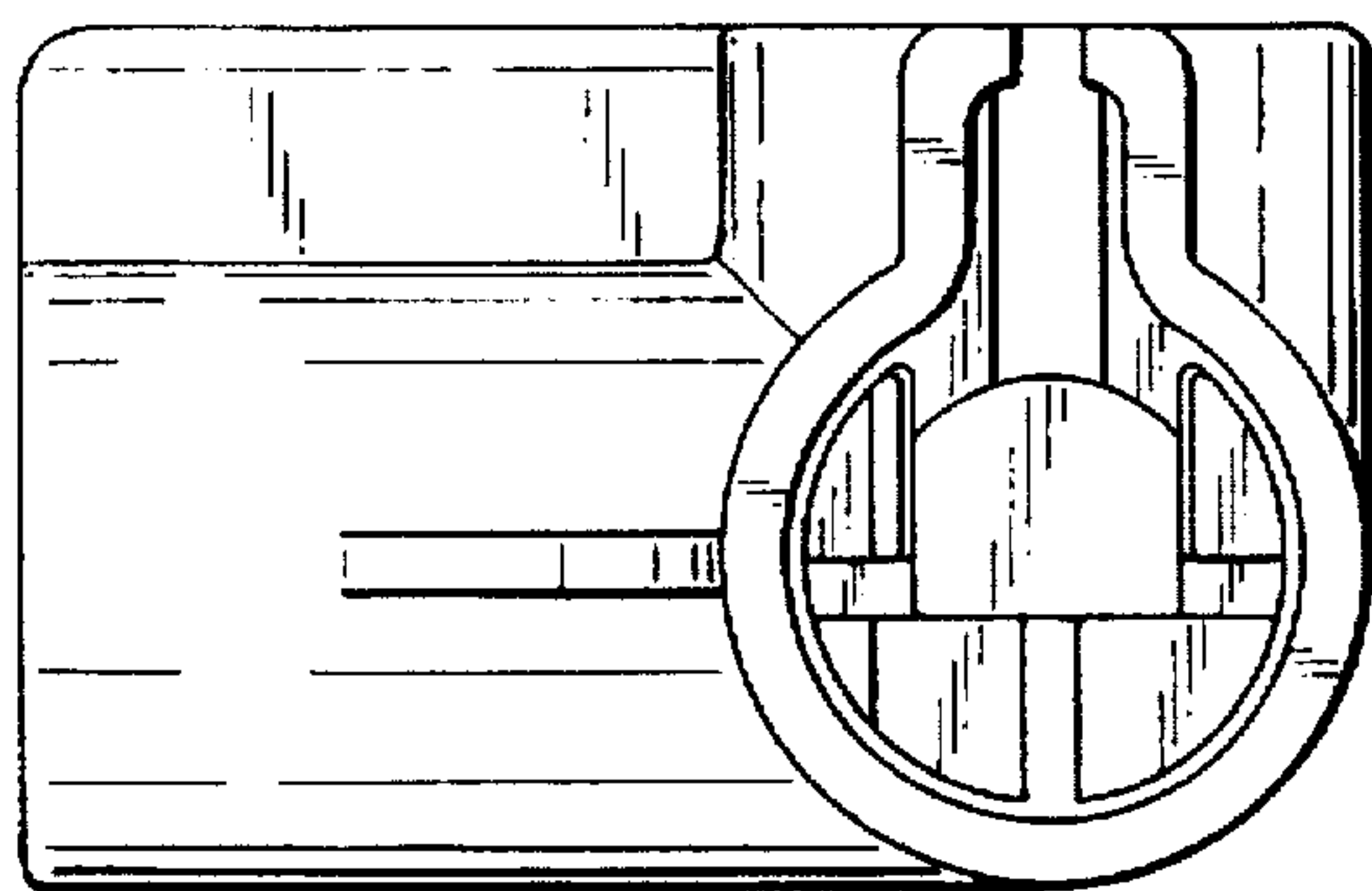


FIG. 5

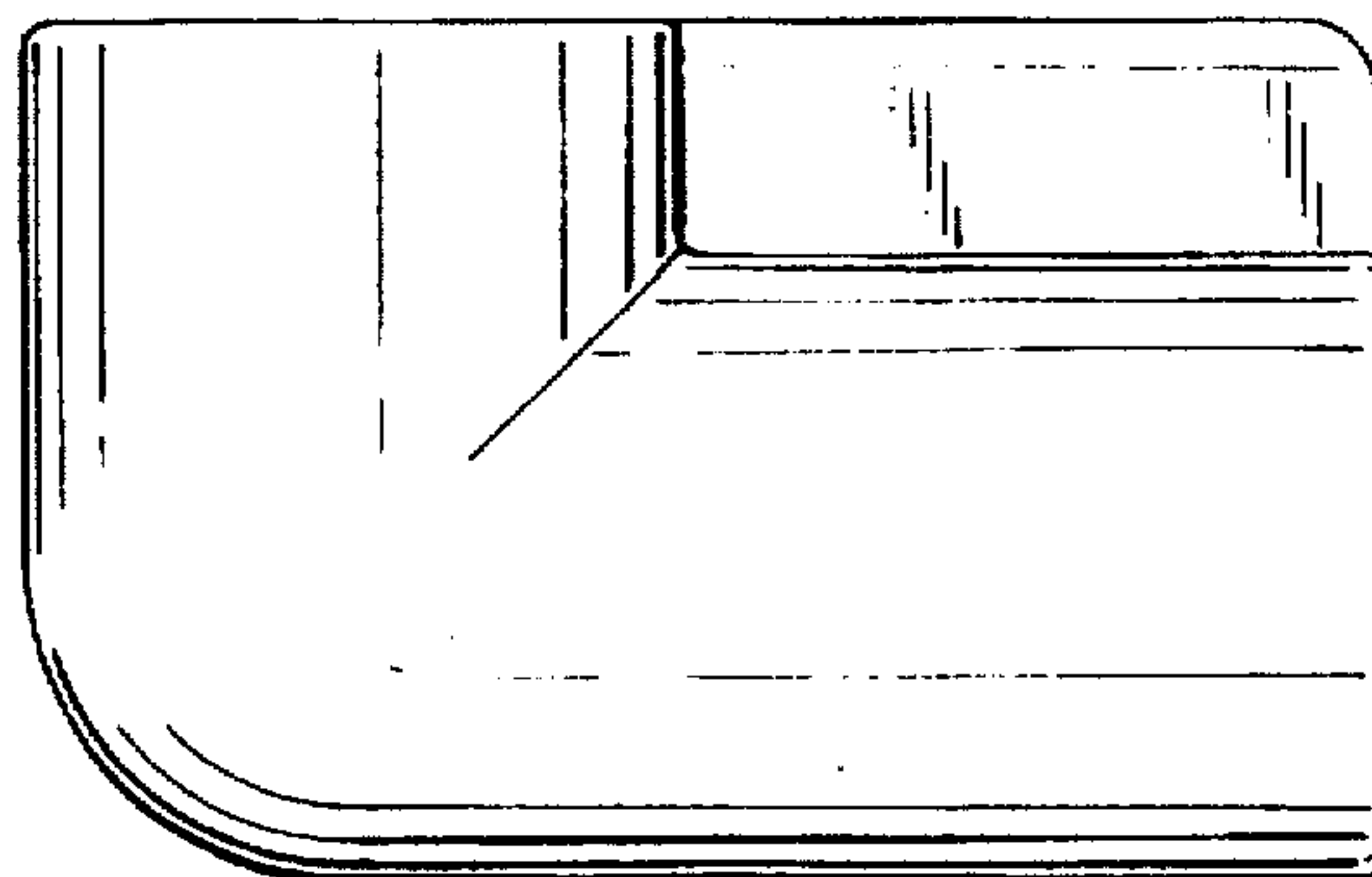


FIG. 6

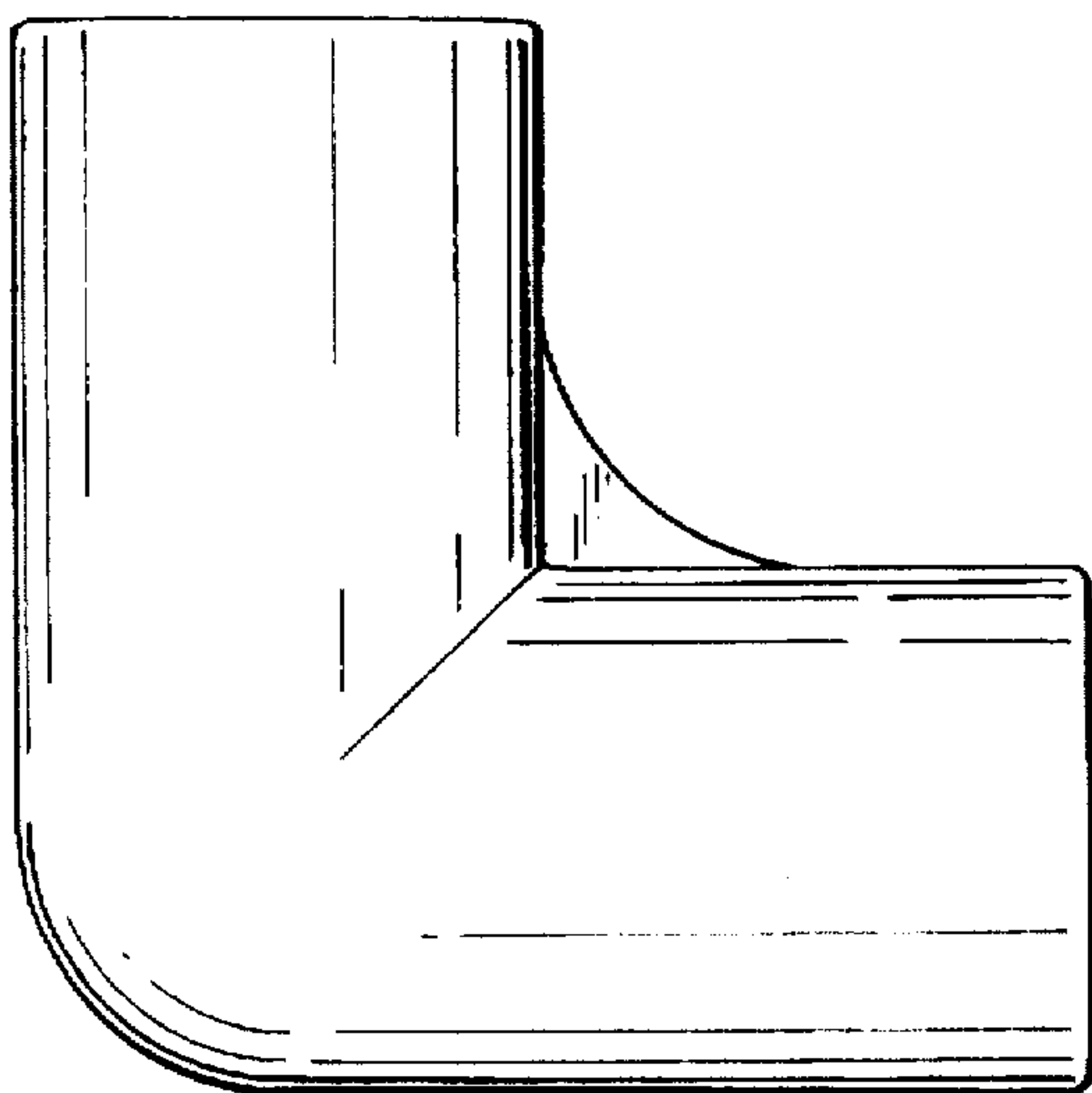


FIG. 7

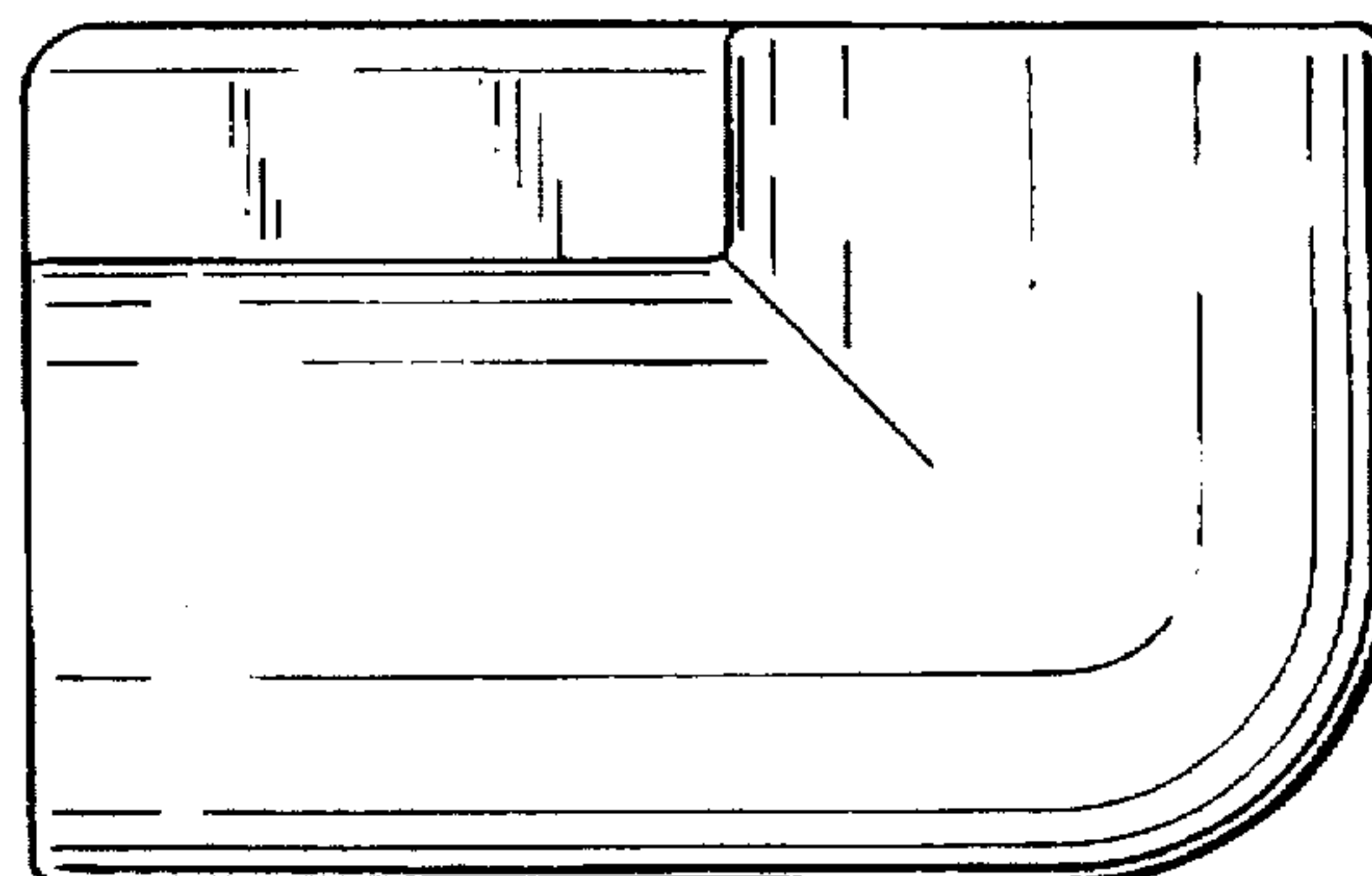


FIG. 8

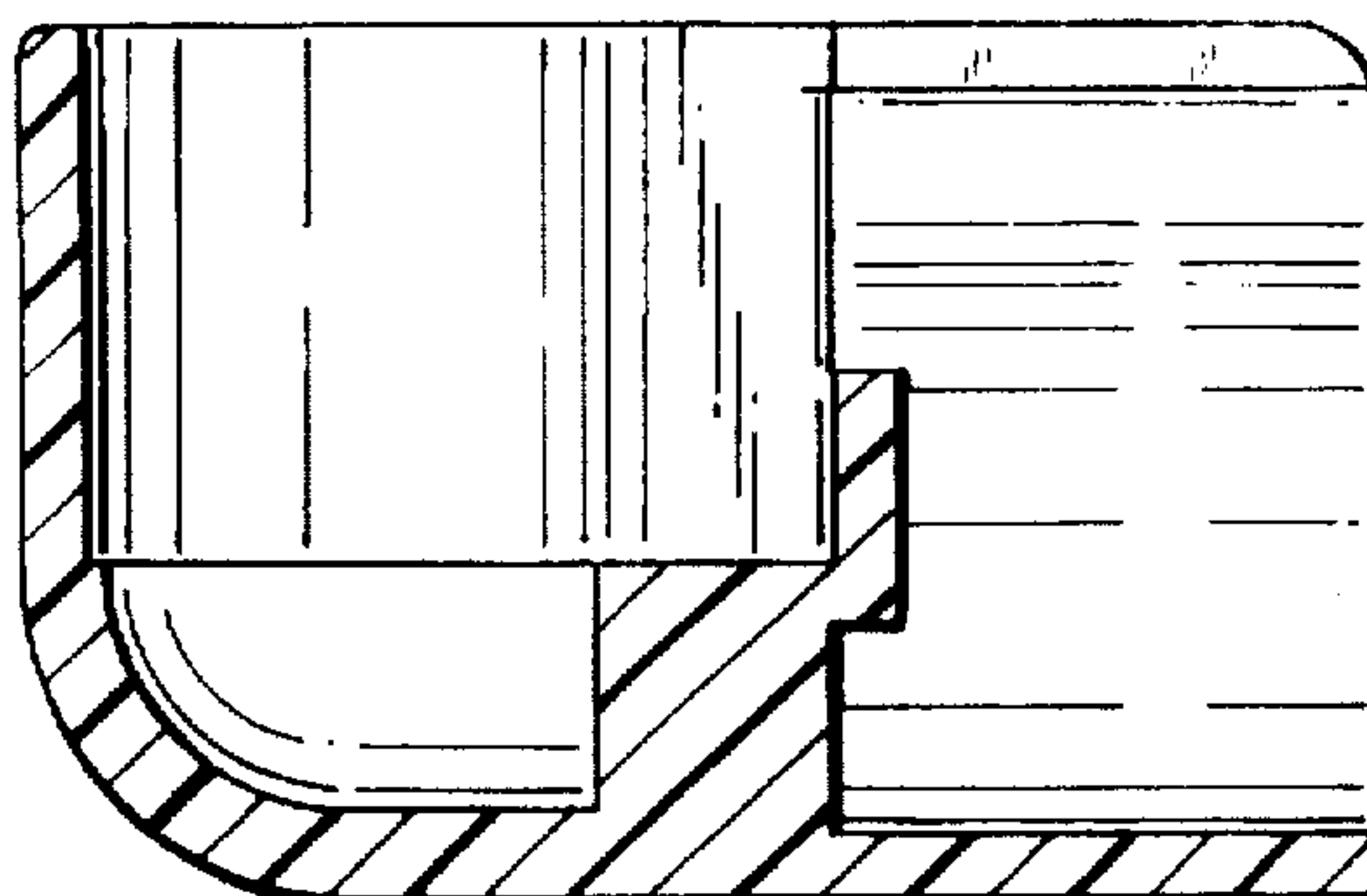


FIG. 9

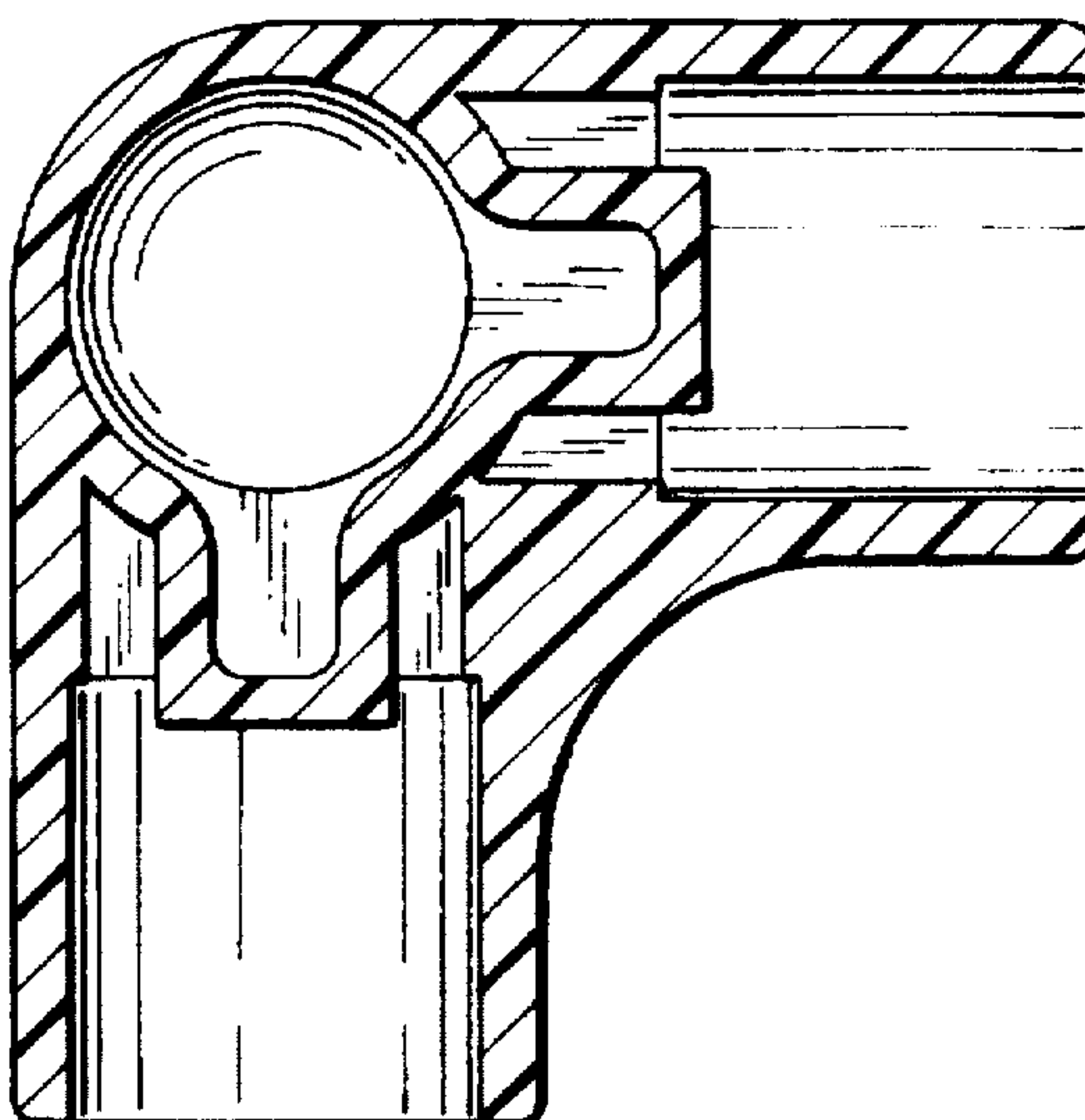


FIG. 10

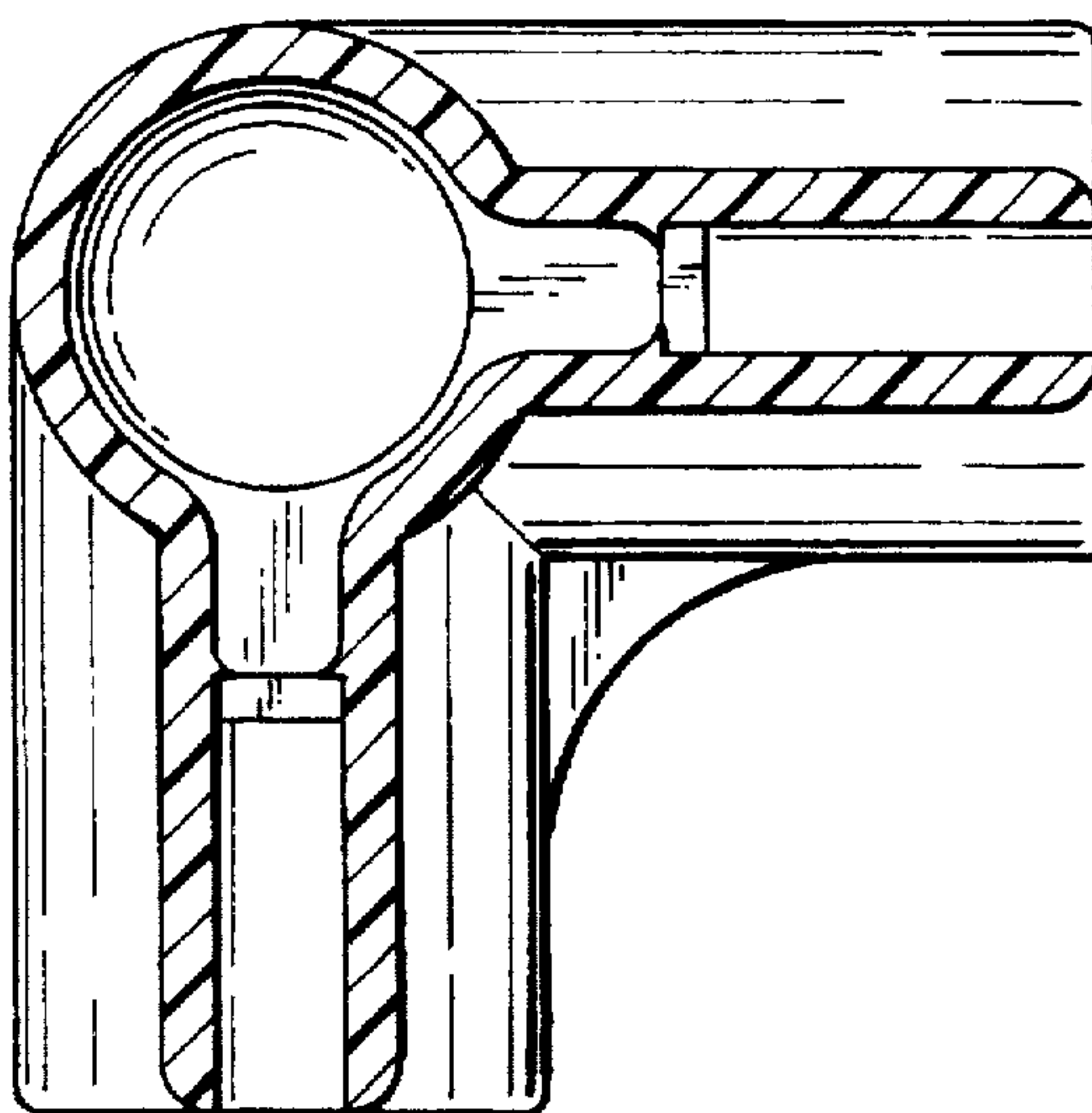


FIG. II

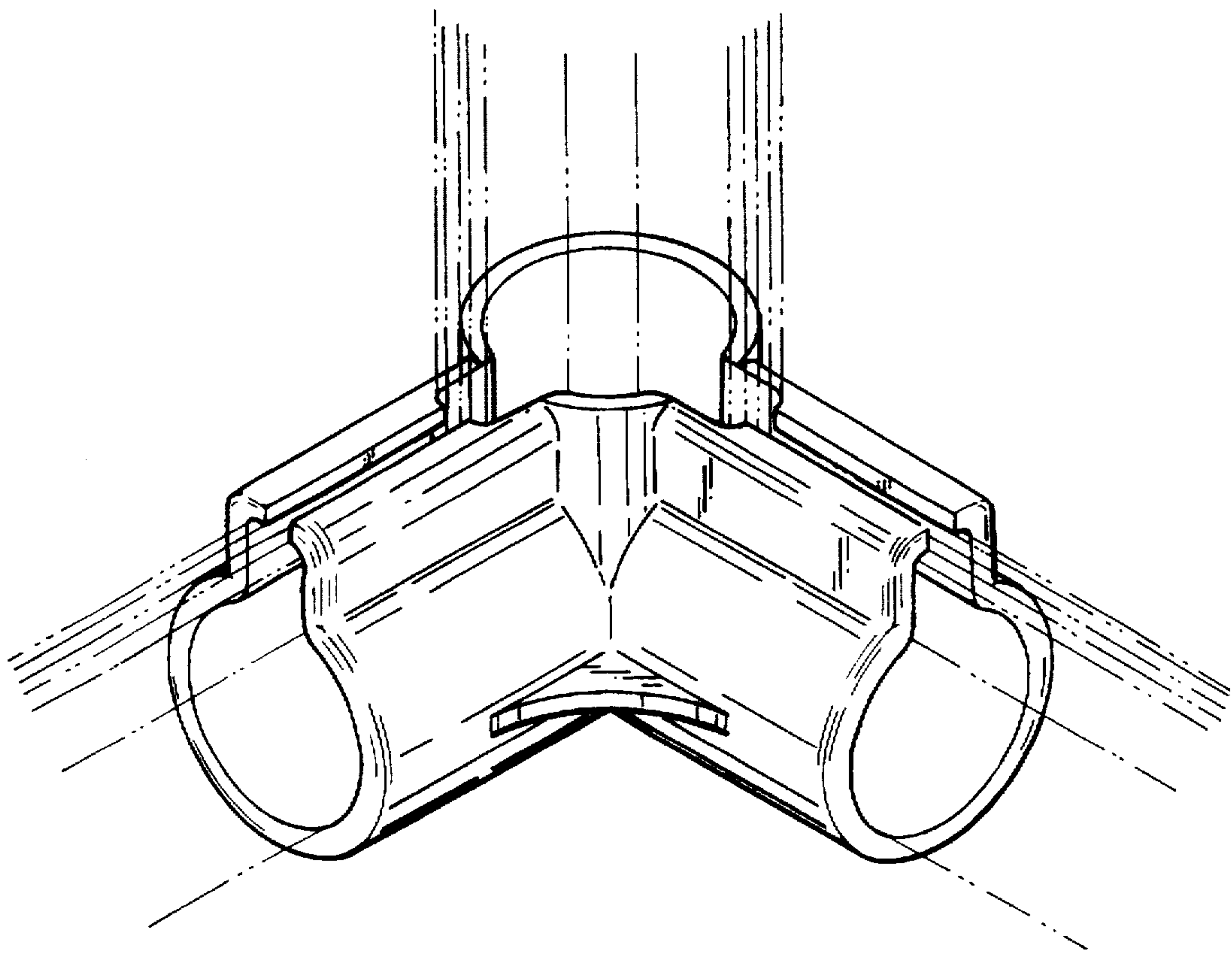


FIG. 12

