



US00D397207S

United States Patent [19]
Lord

[11] **Patent Number:** **Des. 397,207**

[45] **Date of Patent:** ****Aug. 18, 1998**

[54] **FAUCET**

[75] **Inventor:** **Judd A. Lord, Carmel, Ind.**

[73] **Assignee:** **Masco Corporation of Indiana,
Indianapolis, Ind.**

[**] **Term:** **14 Years**

[21] **Appl. No.:** **81,023**

[22] **Filed:** **Dec. 22, 1997**

[51] **LOC (6) Cl.** **23-01**

[52] **U.S. Cl.** **D23/241; D23/255**

[58] **Field of Search** **D23/238-243,
D23/250-257; D8/300-308; 4/675-678;
137/801**

[56] **References Cited**

U.S. PATENT DOCUMENTS

D. 235,546	6/1975	Landell	D23/241
D. 293,362	12/1987	Hill et al.	D23/241
D. 296,461	6/1988	Yost	D23/241
D. 380,252	6/1997	Abel	D23/241
D. 381,404	7/1997	Doughty et al.	D23/241

D. 387,416 12/1997 Chin D23/241

Primary Examiner—Louis S. Zarfes

Assistant Examiner—Eric Watterson

Attorney, Agent, or Firm—Myron B. Kapustij; Malcolm L. Sutherland

[57] **CLAIM**

The ornamental design for a faucet, as shown and described.

DESCRIPTION

FIG. 1 is a front perspective view of a faucet showing my new design;

FIG. 2 is a rear perspective view thereof;

FIG. 3 is a top plan view thereof;

FIG. 4 is a front elevational view thereof;

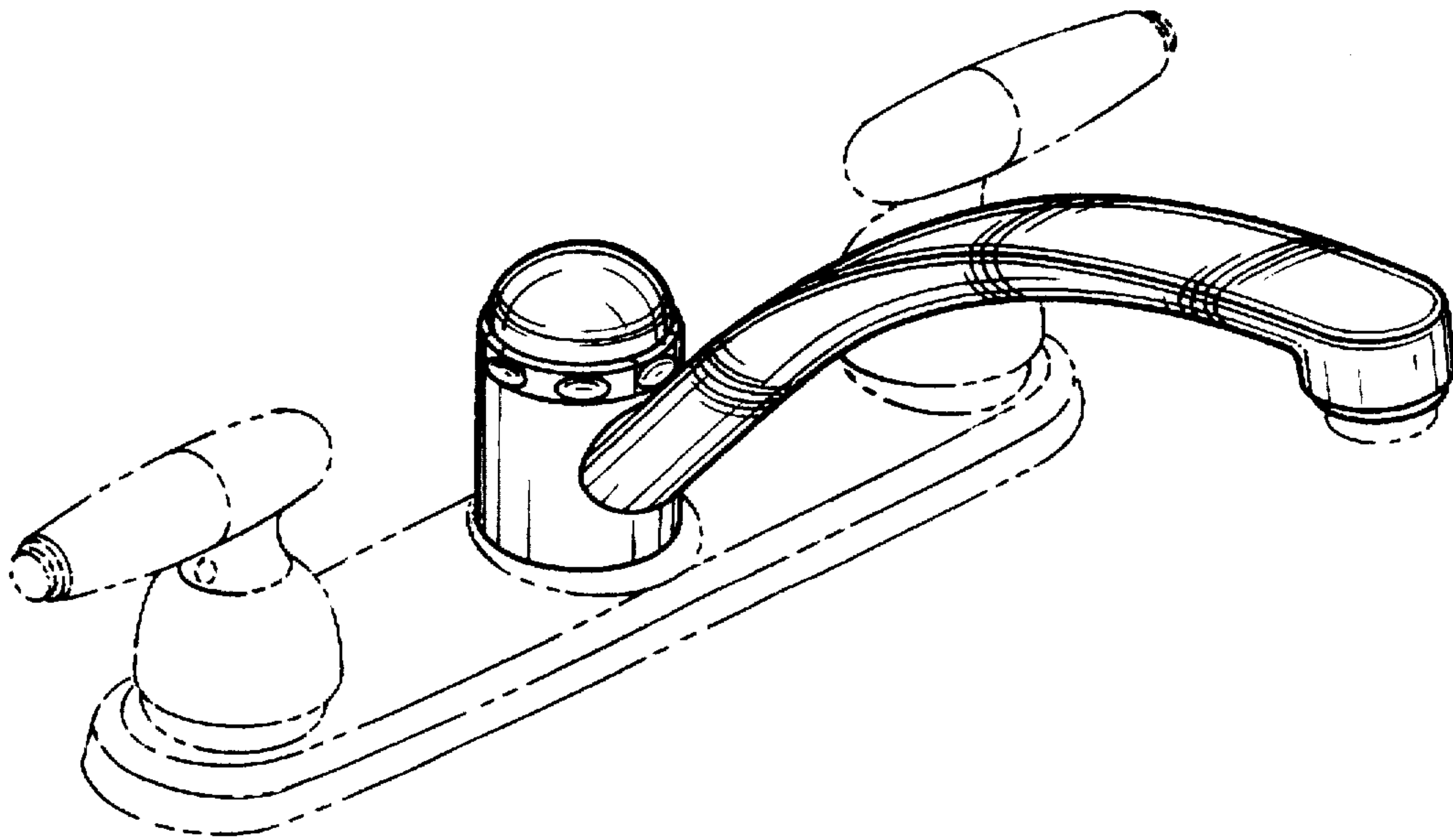
FIG. 5 is a right side elevational view thereof, the left side being a mirror image;

FIG. 6 is a rear elevational view thereof; and,

FIG. 7 is a bottom plan view thereof.

The broken line showings of the aerator in FIGS. 1-2 and 4-5 of the handles in FIGS. 1-4 and 6, and of the escutcheon in FIGS. 1-6 are for purposes of illustration only and form no part of the claimed design.

1 Claim, 4 Drawing Sheets



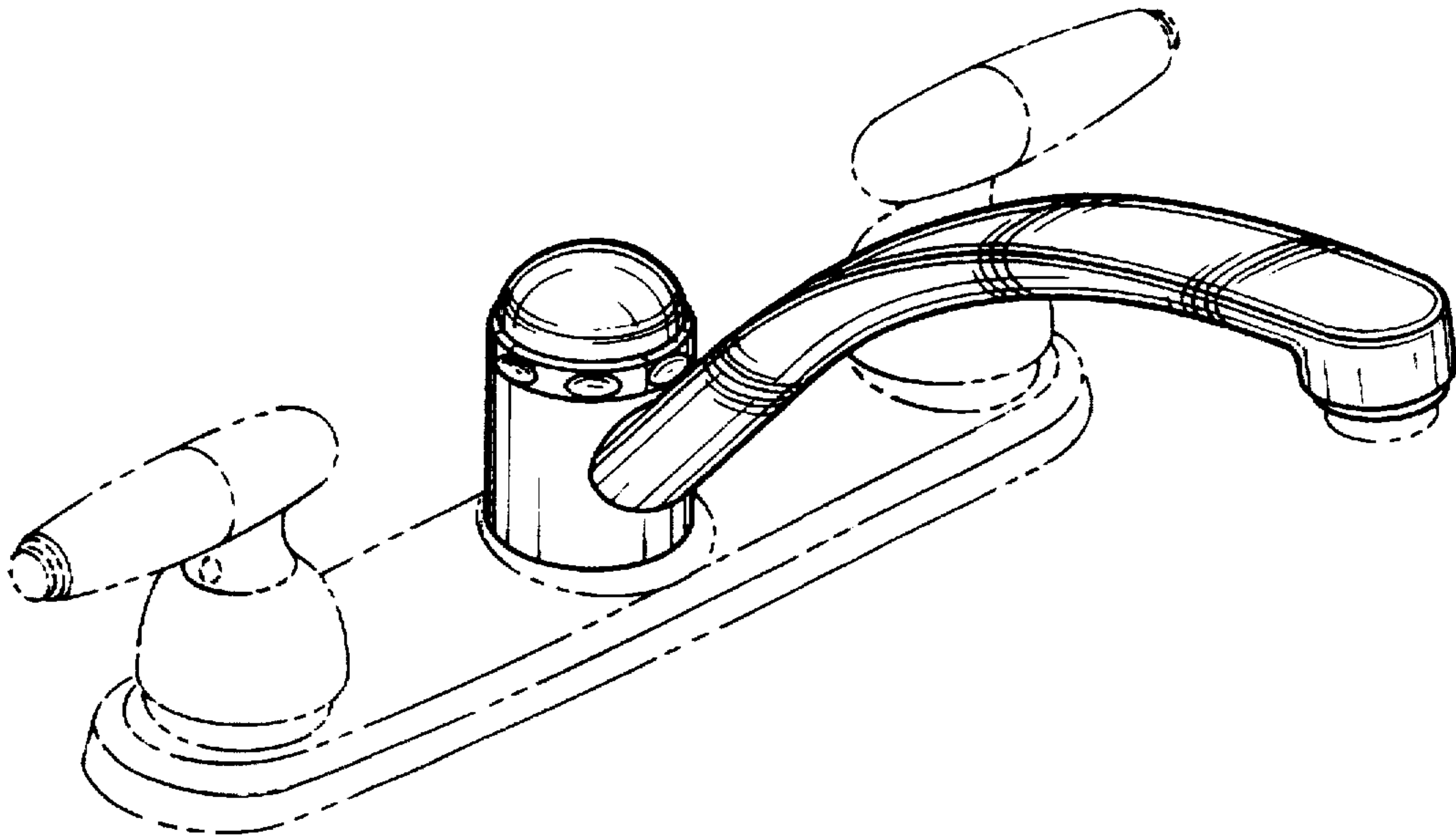


Fig-1

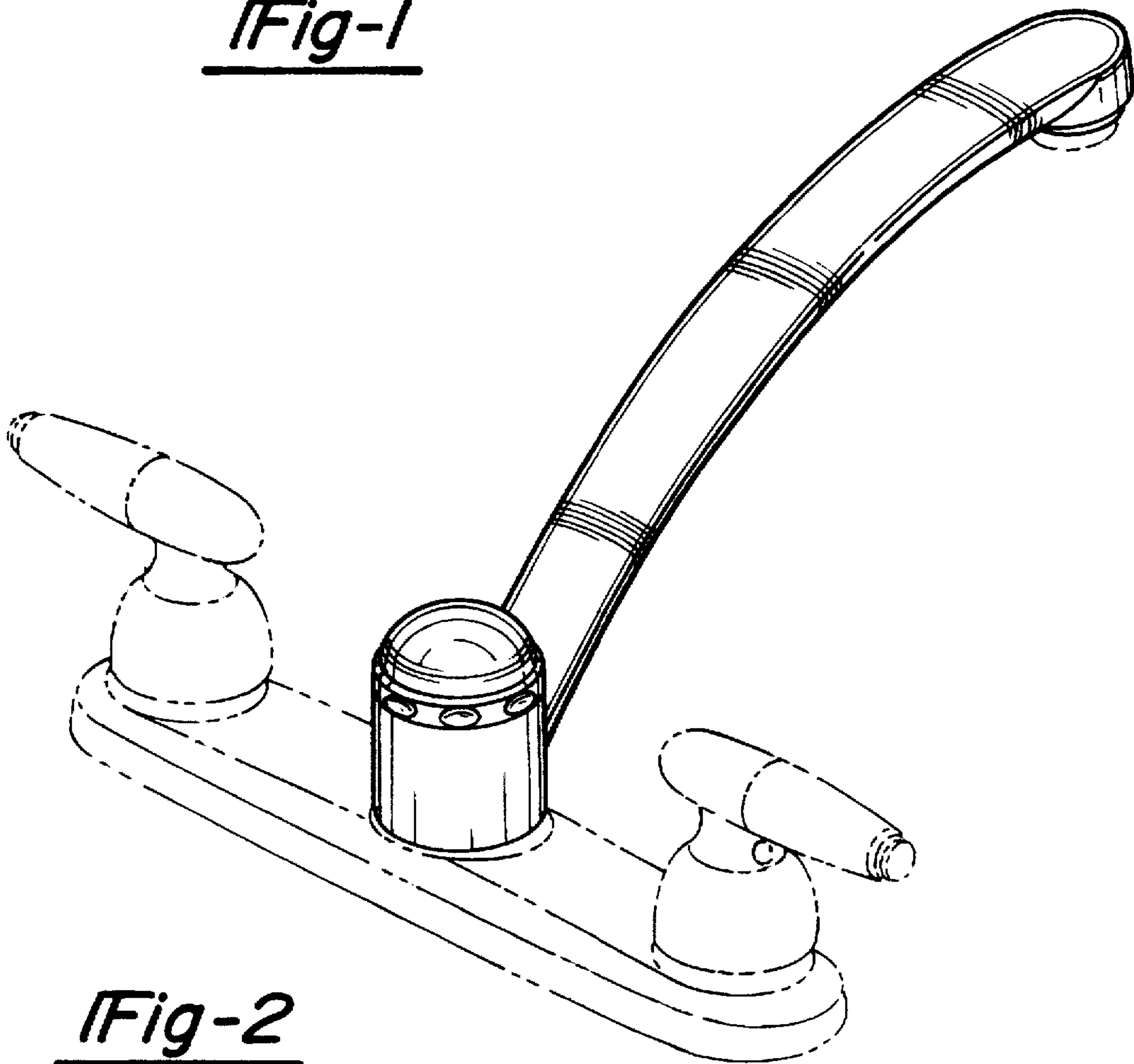


Fig-2

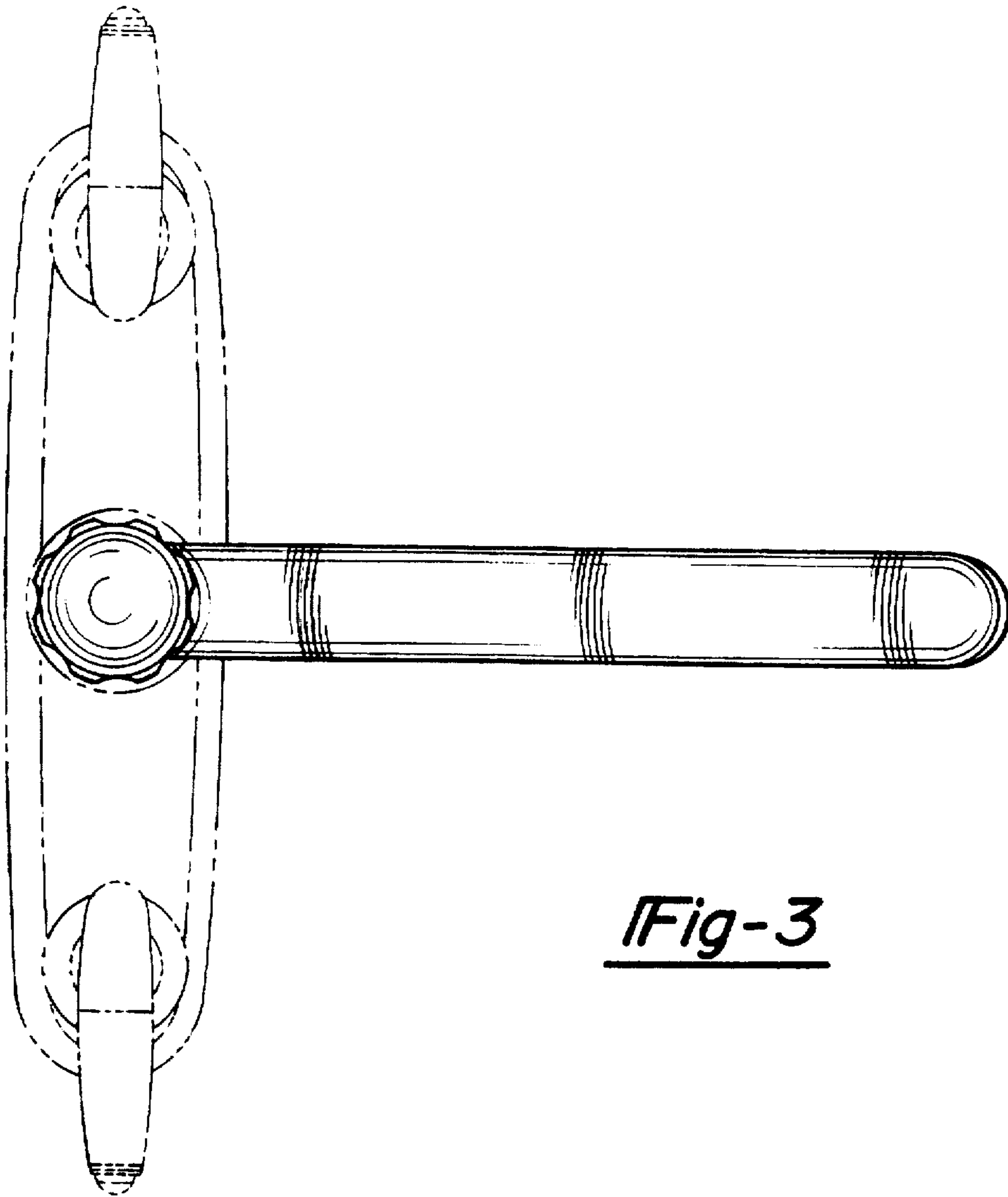


Fig-3

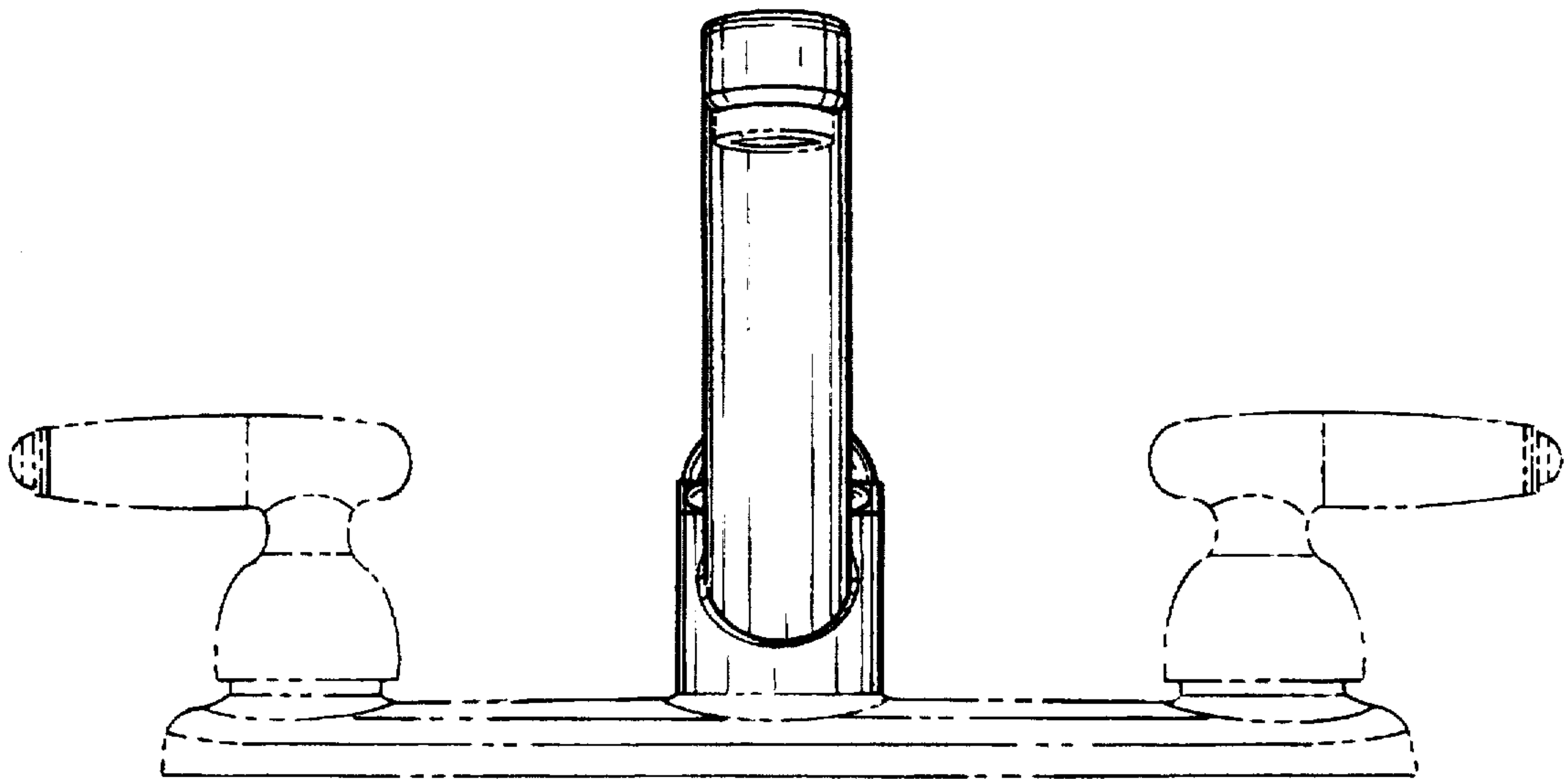


Fig-4

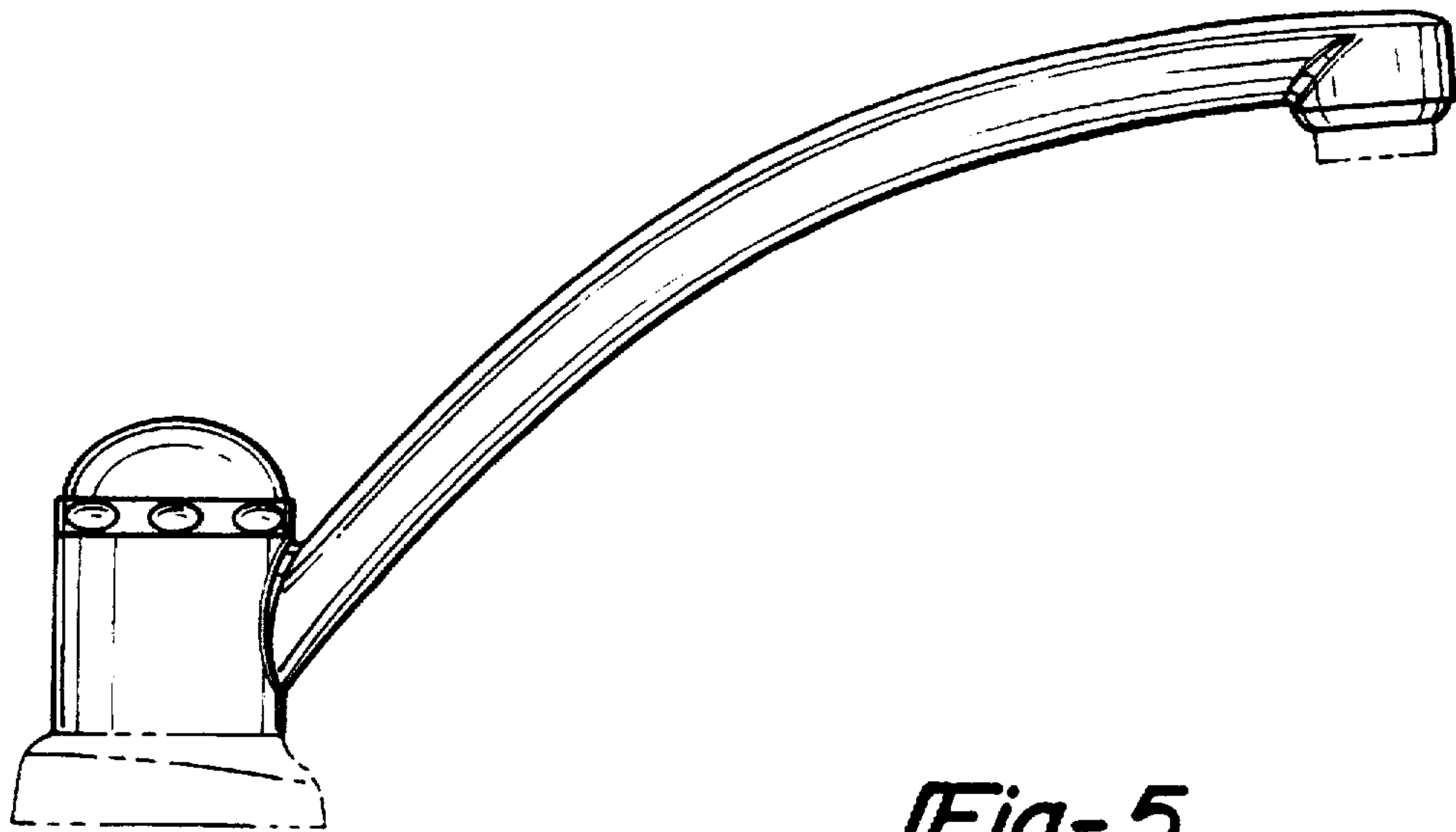


Fig-5

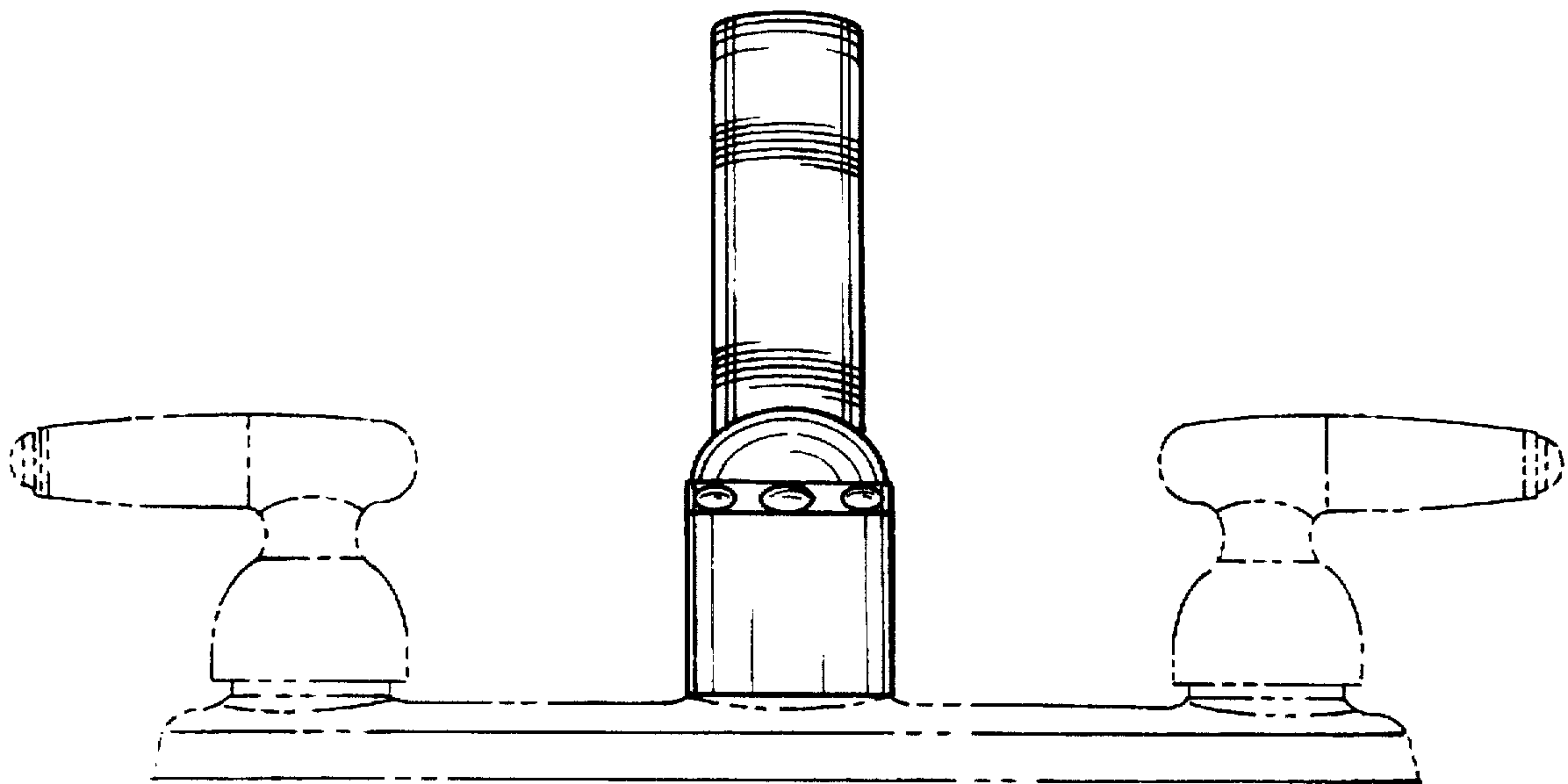


Fig-6

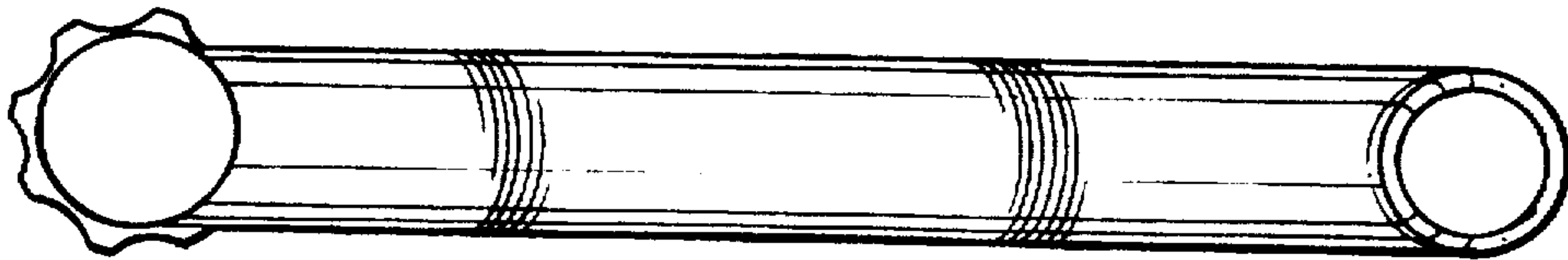


Fig-7