



US00D397206S

United States Patent [19]
Lord

[11] **Patent Number: Des. 397,206**

[45] **Date of Patent: **Aug. 18, 1998**

[54] **SINGLE HANDLE FAUCET**

[75] Inventor: **Judd A. Lord, Carmel, Ind.**

[73] Assignee: **Masco Corporation of Indiana, Indianapolis, Ind.**

[**] Term: **14 Years**

[21] Appl. No.: **80,558**

[22] Filed: **Dec. 4, 1997**

[51] LOC (6) Cl. **23-01**

[52] U.S. Cl. **D23/238**

[58] Field of Search **D23/238-243, D23/250-257; D8/300-308; 4/675-678; 137/801**

[56] **References Cited**

U.S. PATENT DOCUMENTS

D. 235,546	6/1975	Landell	D23/241
D. 293,362	12/1987	Hill et al.	D23/241
D. 296,461	6/1988	Yost	D23/241
D. 380,252	6/1997	Abel	D23/241
D. 381,404	7/1997	Doughty et al.	D23/241
D. 387,416	12/1997	Chin	D23/241

Primary Examiner—Louis S. Zarfes
Assistant Examiner—Eric Watterson
Attorney, Agent, or Firm—Myron B. Kapustij; Malcolm L. Sutherland

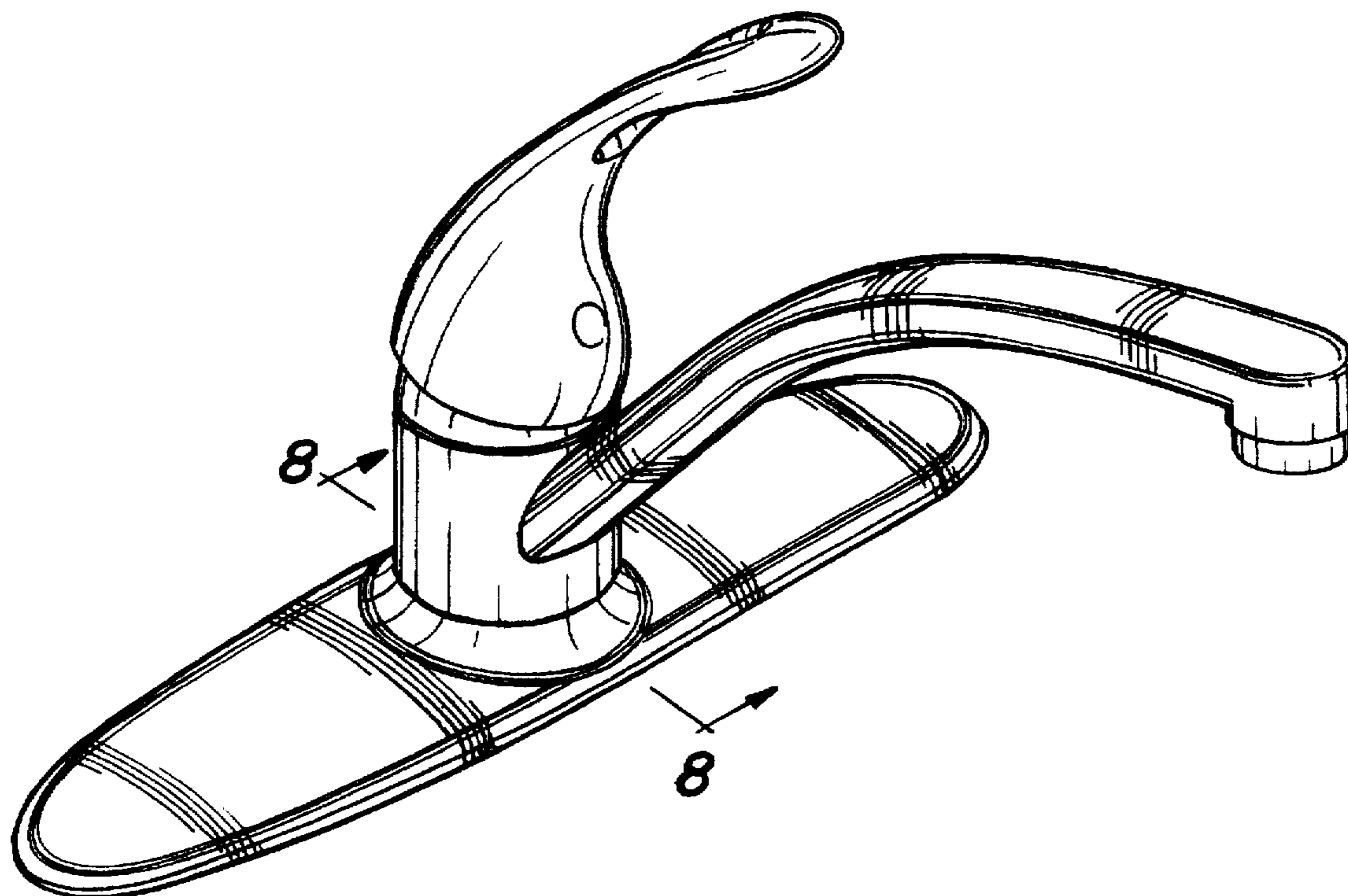
[57] **CLAIM**

The ornamental design for a single handle faucet, as shown and described.

DESCRIPTION

FIG. 1 is a front perspective view of a single handle faucet showing my new design;
FIG. 2 is a rear perspective view thereof;
FIG. 3 is a top plan view thereof;
FIG. 4 is a front elevational view thereof;
FIG. 5 is a right side elevational view thereof, the left side being a mirror image;
FIG. 6 is a rear elevational view thereof;
FIG. 7 is a bottom plan view thereof;
FIG. 8 is a cross-sectional view taken along line 8—8 in FIG. 1;
FIG. 9 is a cross-sectional view taken along line 9—9 in FIG. 2; and,
FIG. 10 is a cross-sectional view taken along line 10—10 in FIG. 2.

1 Claim, 4 Drawing Sheets



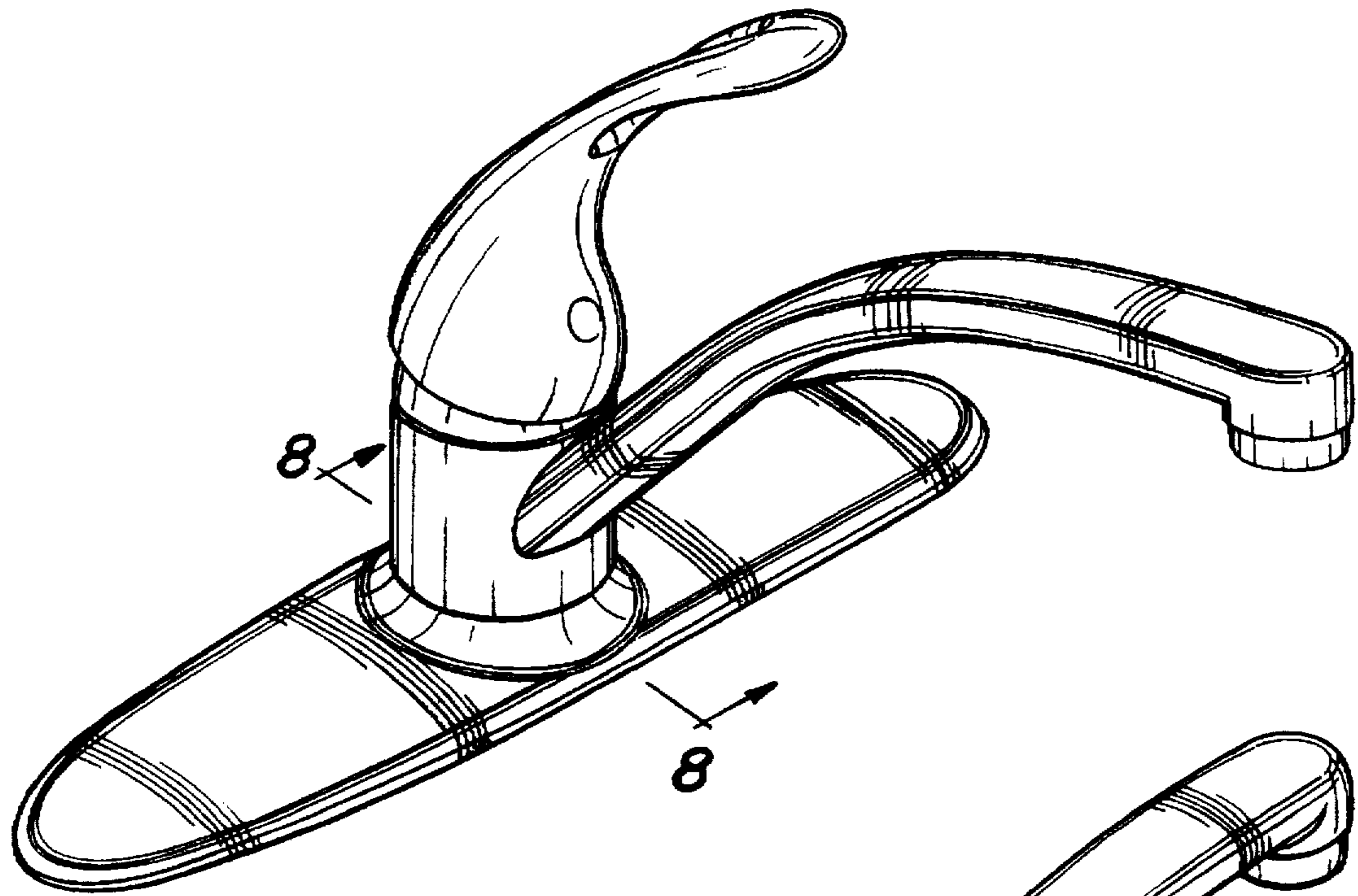


Fig-1

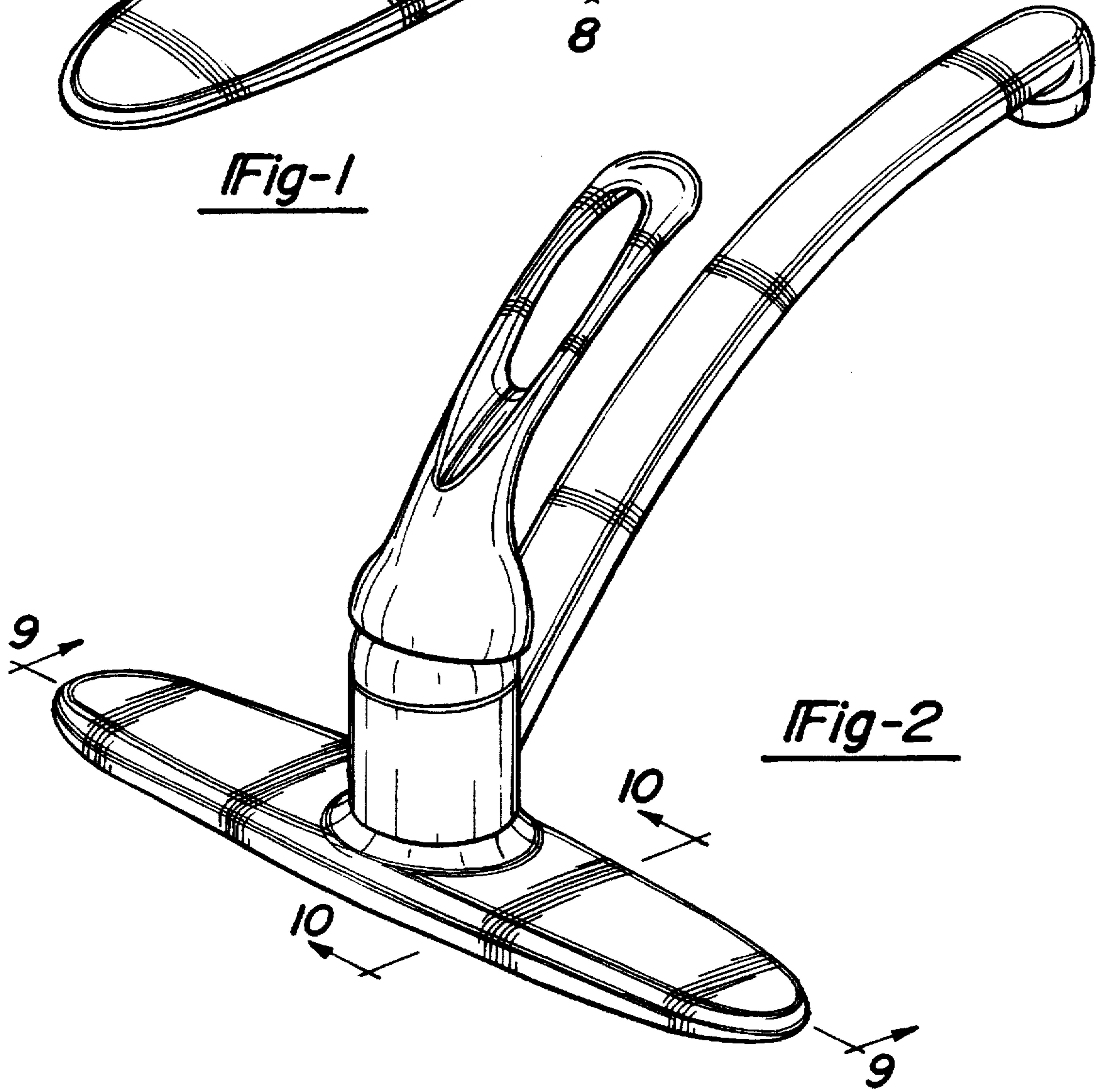


Fig-2

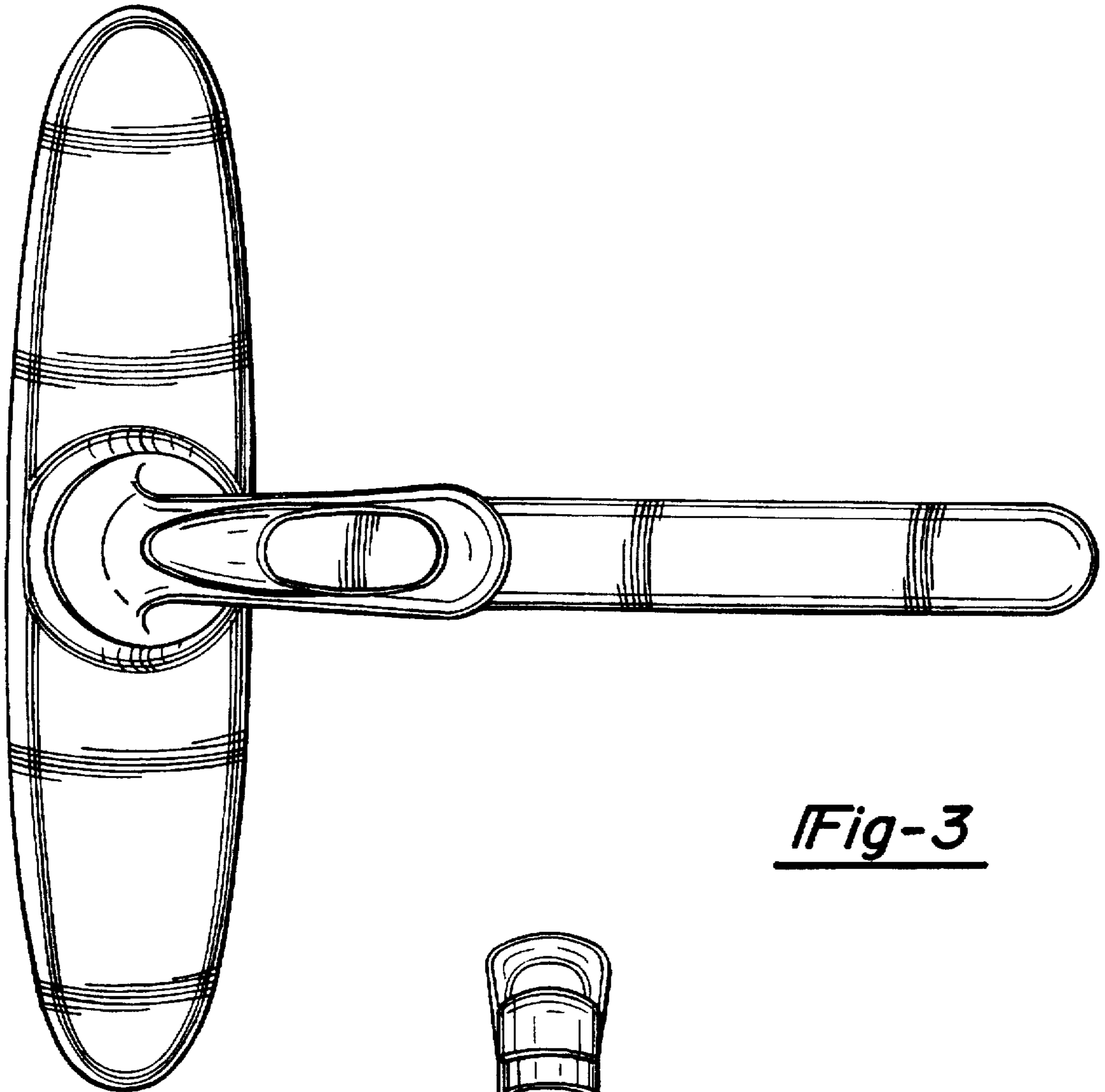


Fig-3

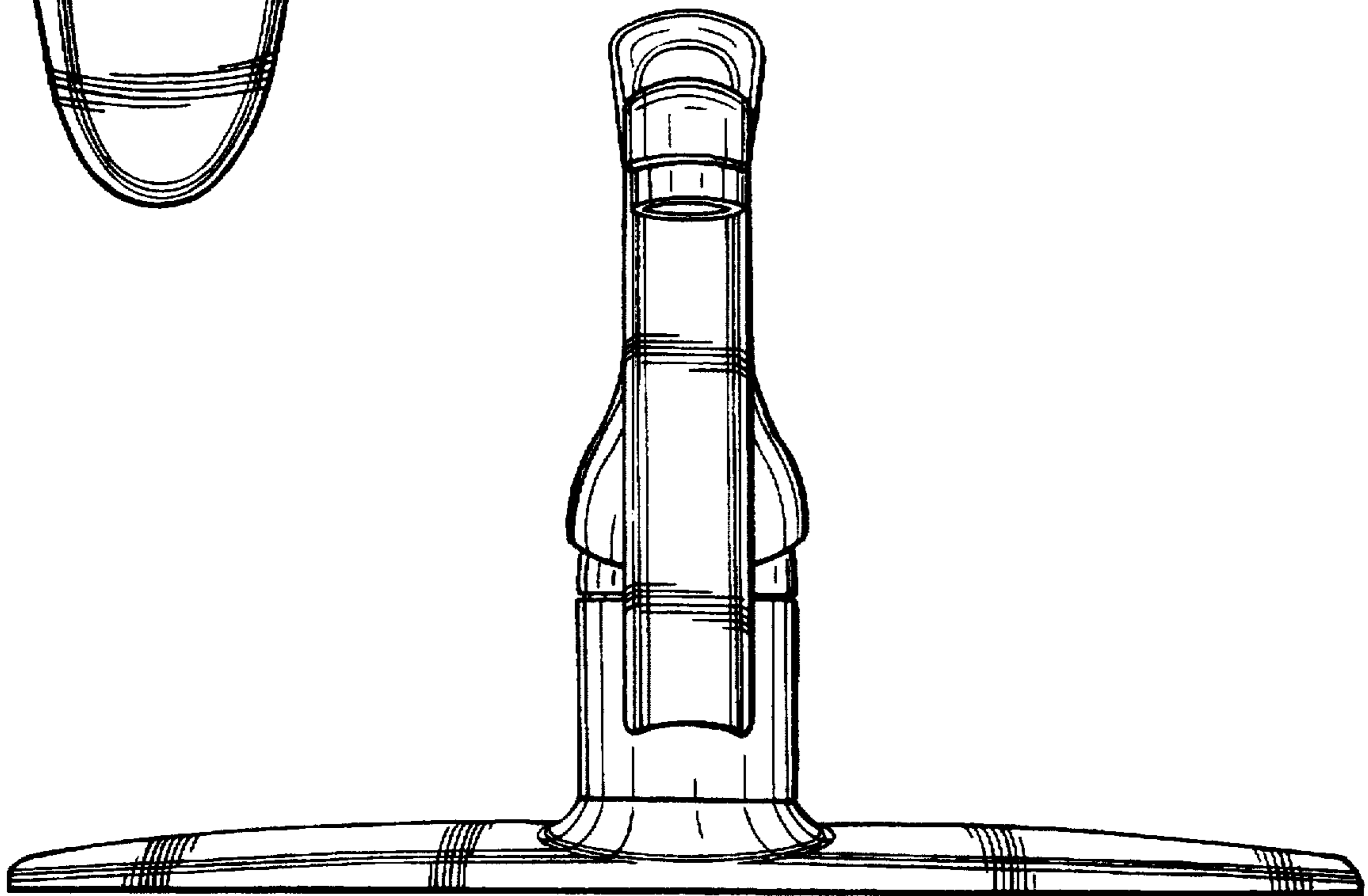


Fig-4

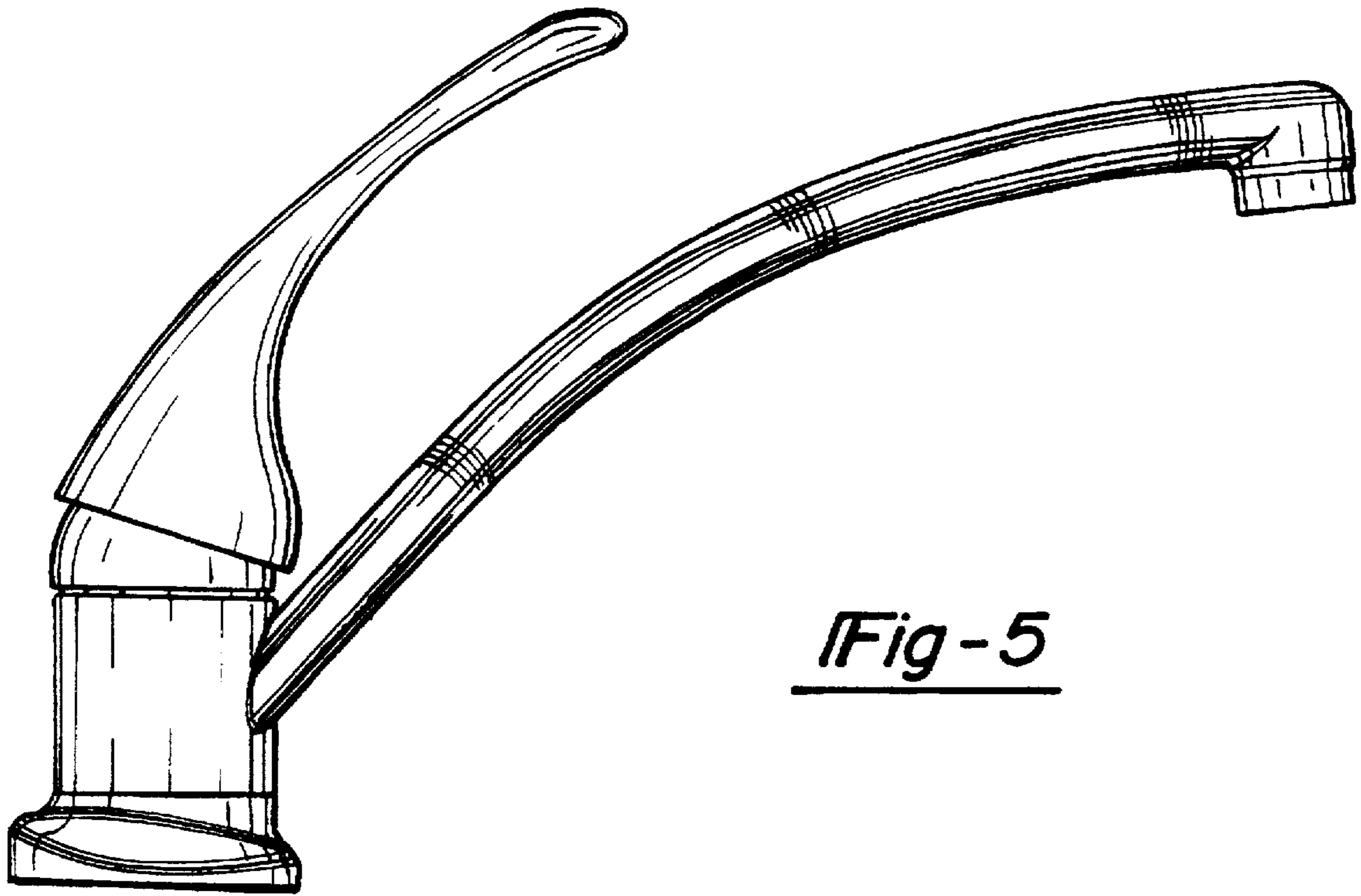


Fig-5

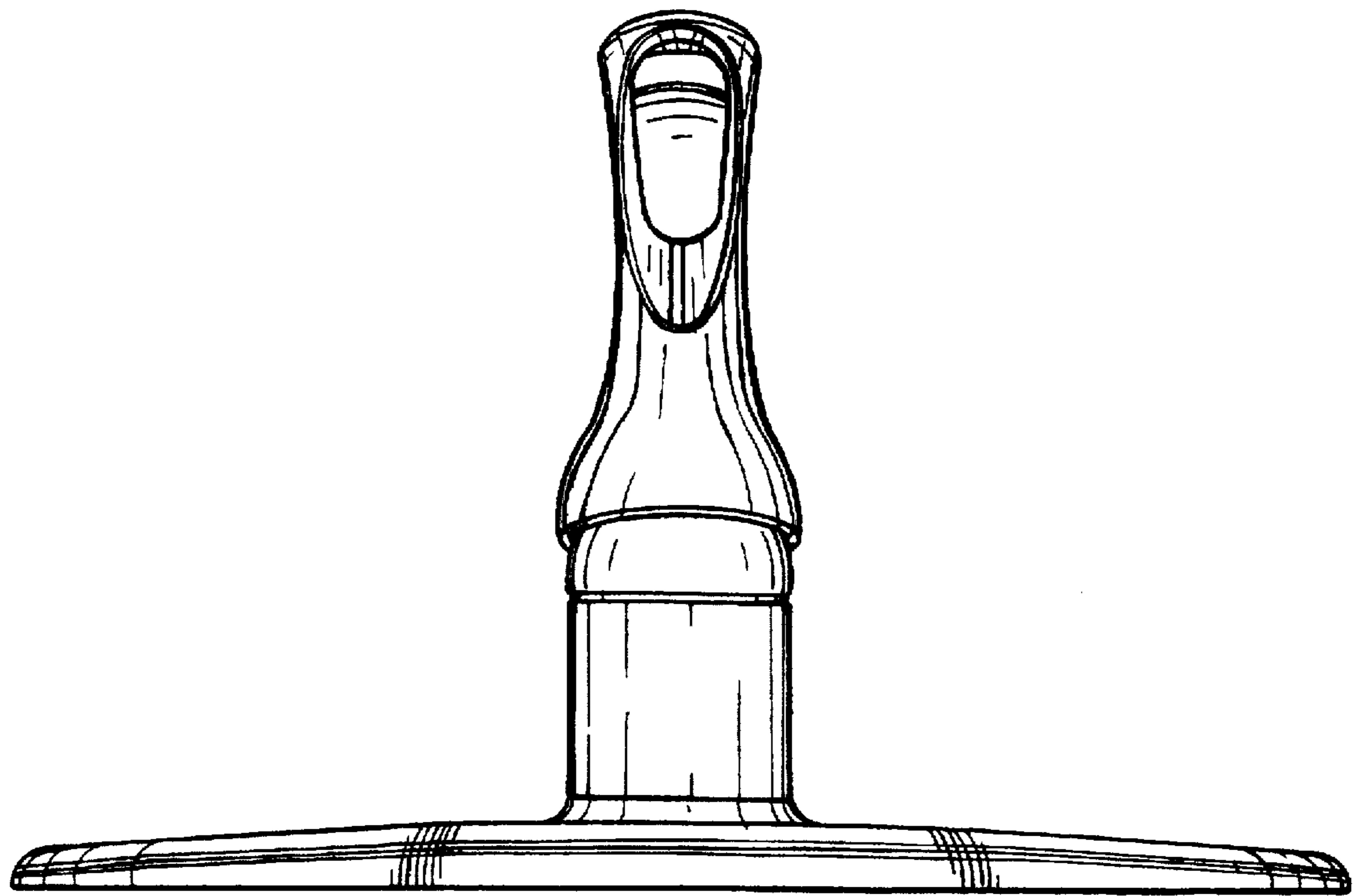


Fig-6

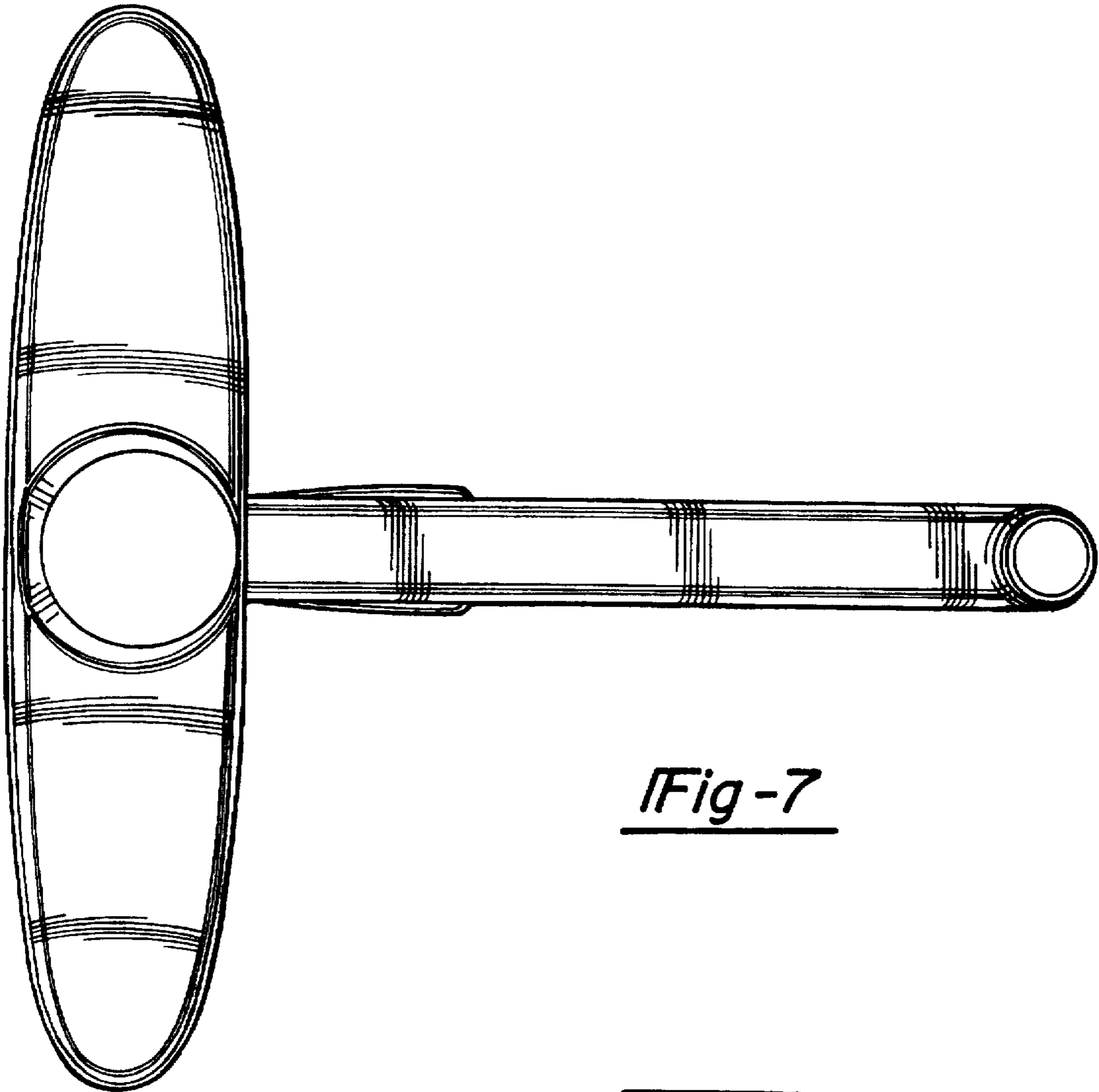


Fig-7

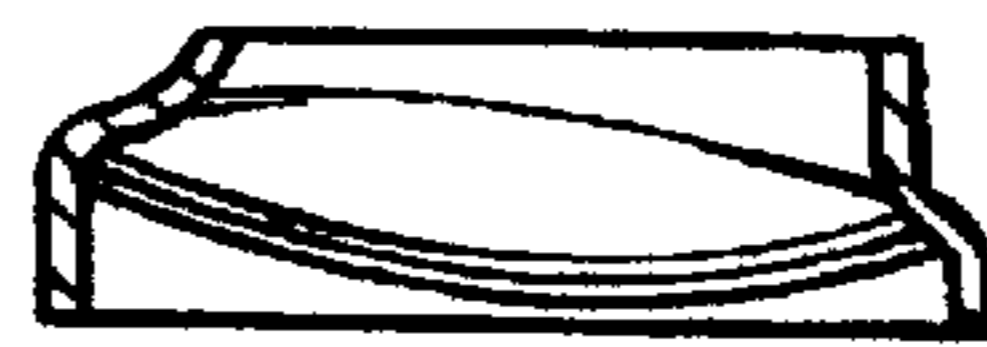


Fig-8



Fig-10

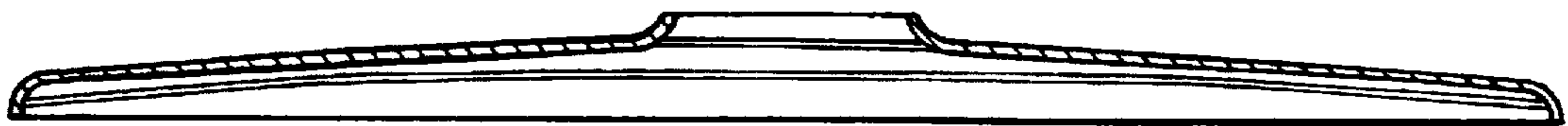


Fig-9