

US00D397204S

United States Patent [19]

[11] Patent Number: Des. 397,204

Alvern

[45] Date of Patent: **Aug. 18, 1998

[54] ADVERTISING CARRYING BODY FOR USE ON A FILLER GUN

Primary Examiner—Ralf Seifert

Attorney, Agent, or Firm—Finnegan, Henderson, Farabow, Garrett & Dunner, L.L.P.

[75] Inventor: Åyvind Alvern, Hjeltestad, Norway

[57] CLAIM

[73] Assignee: Alvern Norway, ASA, Norway

The ornamental design for an advertising carrying body for use on a filler gun, as shown and described.

[**] Term: 14 Years

DESCRIPTION

[21] Appl. No.: 70,570

FIG. 1 is a top perspective view of an advertising carrying body for use on a filler gun showing my new design;

[22] Filed: May 12, 1997

FIG. 2 is a rear perspective view from below and other side of the carrying body;

[30] Foreign Application Priority Data

Nov. 15, 1996 [NO] Norway 960830

FIG. 3 is a front perspective view from below of the carrying body;

[51] LOC (6) Cl. 23-01

FIG. 4 is a rear view of the carrying body;

[52] U.S. Cl. D23/227

FIG. 5 is a rear perspective view from below of the carrying body;

[58] Field of Search D15/9.1; D23/213, D23/227; 137/377, 379; 141/52, 208, 209, 392

FIG. 6 is a rear perspective view from below of a top member forming part of my new design;

FIG. 7 is a top, plan view of the top member;

FIG. 8 is front perspective view from below of the top member;

[56] References Cited

U.S. PATENT DOCUMENTS

- D. 173,006 9/1954 Anderson .
- D. 173,007 9/1954 Anderson .
- D. 177,538 4/1956 Sutcliffe D23/227
- D. 177,597 5/1956 Sinclair D23/227
- D. 177,648 5/1956 Sinclair D23/227
- D. 182,400 4/1958 Boone D23/227
- D. 279,483 7/1985 Goldman .
- D. 279,484 7/1985 Goldman .
- D. 358,452 5/1995 Karrick D23/227
- D. 366,310 1/1996 Fell .
- 4,408,791 10/1983 Griffin et al. .
- 4,465,209 8/1984 Wilder .
- 4,690,182 9/1987 Knaus .
- 5,058,637 10/1991 Fell .
- 5,184,309 2/1993 Simpson .
- 5,184,655 2/1993 Fell .
- 5,199,474 4/1993 D'Angelo .

FIG. 9 is a rear perspective view from below and one side of the top member;

FIG. 10 is a rear perspective view from above and one side of the top member;

FIG. 11 is a rear perspective view from below of an upper member forming part of my new design;

FIG. 12 is a top plan view of the upper member;

FIG. 13 is a front perspective view from below of the upper member;

FIG. 14 is a rear perspective view from below and one side of the upper member;

FIG. 15 is a rear perspective view from below and other side of the upper member;

FIG. 16 is a rear perspective view from above and one side of the upper member;

FIG. 17 is a rear perspective view from below of a lower member forming part of my new design;

FIG. 18 is a front perspective view from below of the lower member;

FIG. 19 is a rear perspective view from below and one side of the lower member;

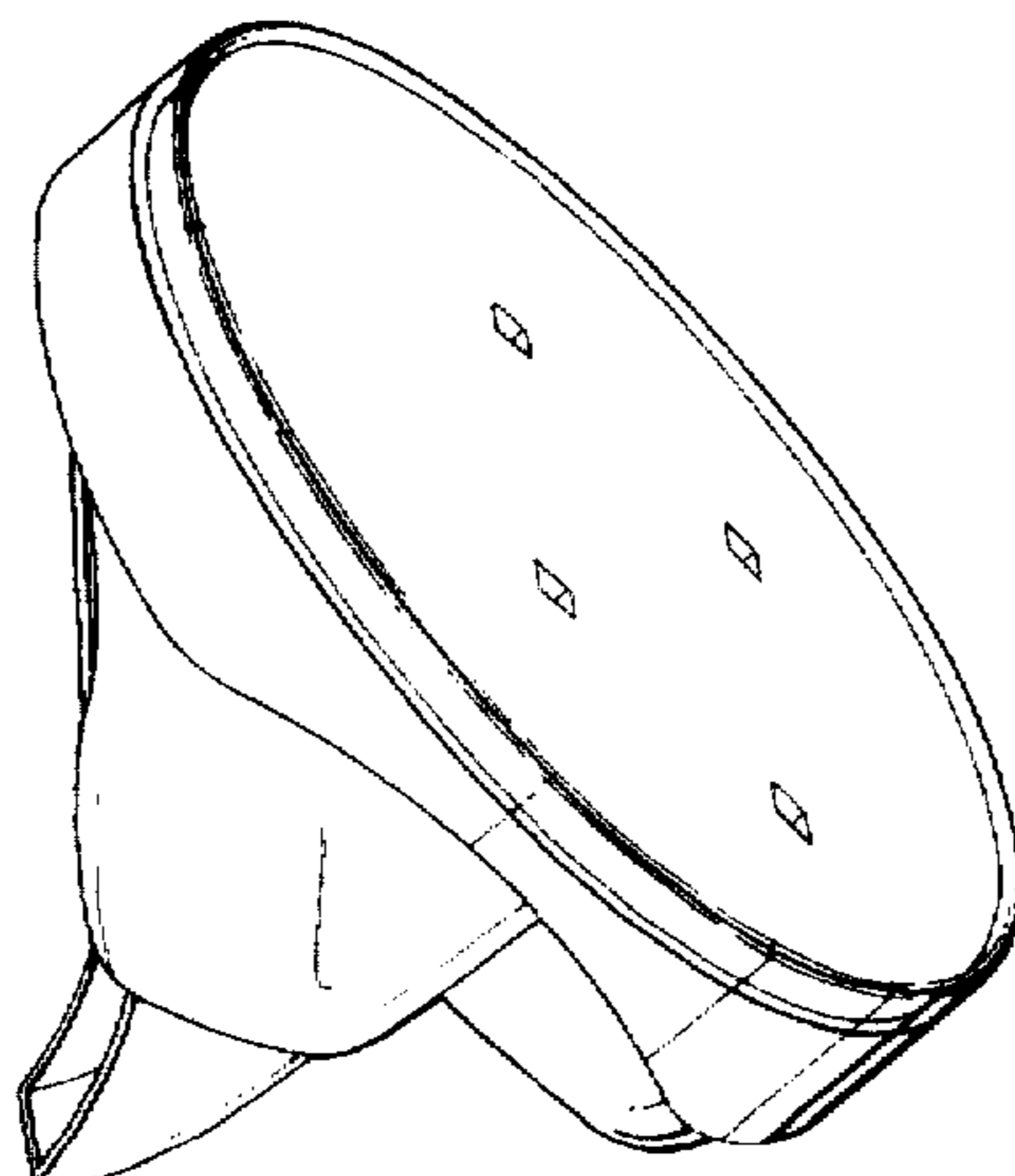
FIG. 20 is a rear perspective view from below and other side; and,

FIG. 21 is a rear perspective view from above and one side.

FOREIGN PATENT DOCUMENTS

- AU-S-122642 2/1995 Australia .
- AU-S-123343 5/1995 Australia .
- WO 90/08375 7/1990 WIPO .

1 Claim, 8 Drawing Sheets



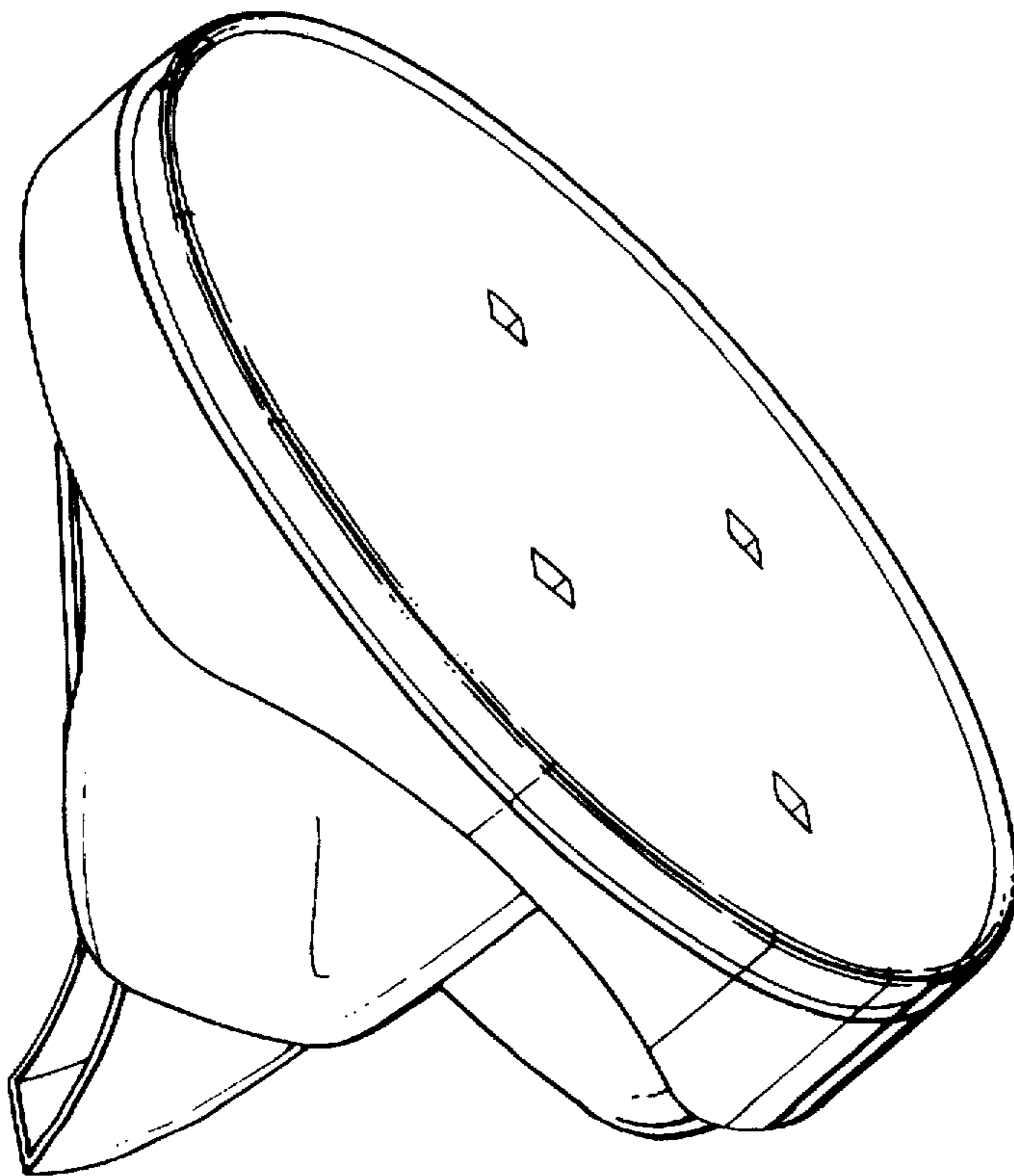


Fig.1.

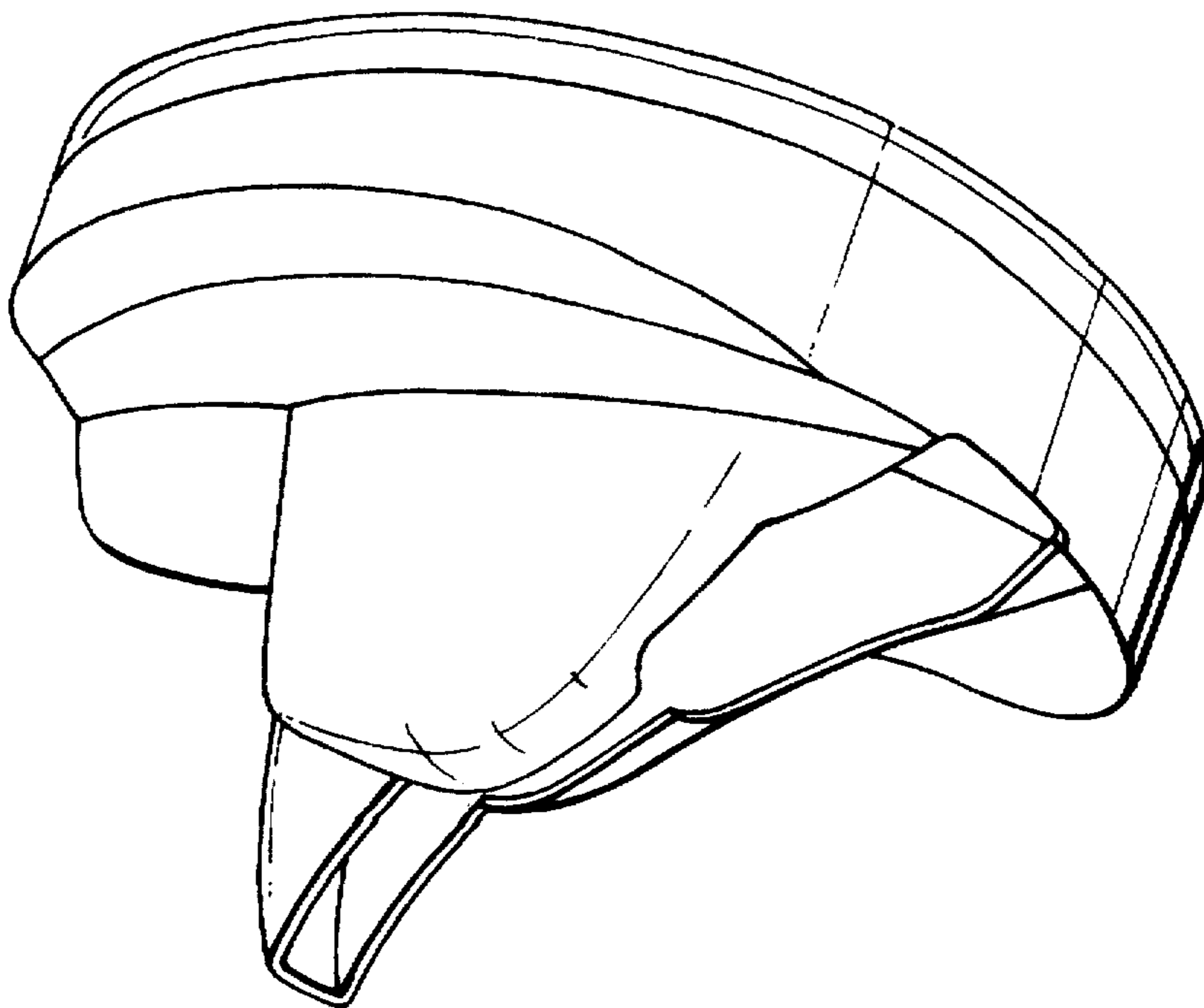


Fig.2.

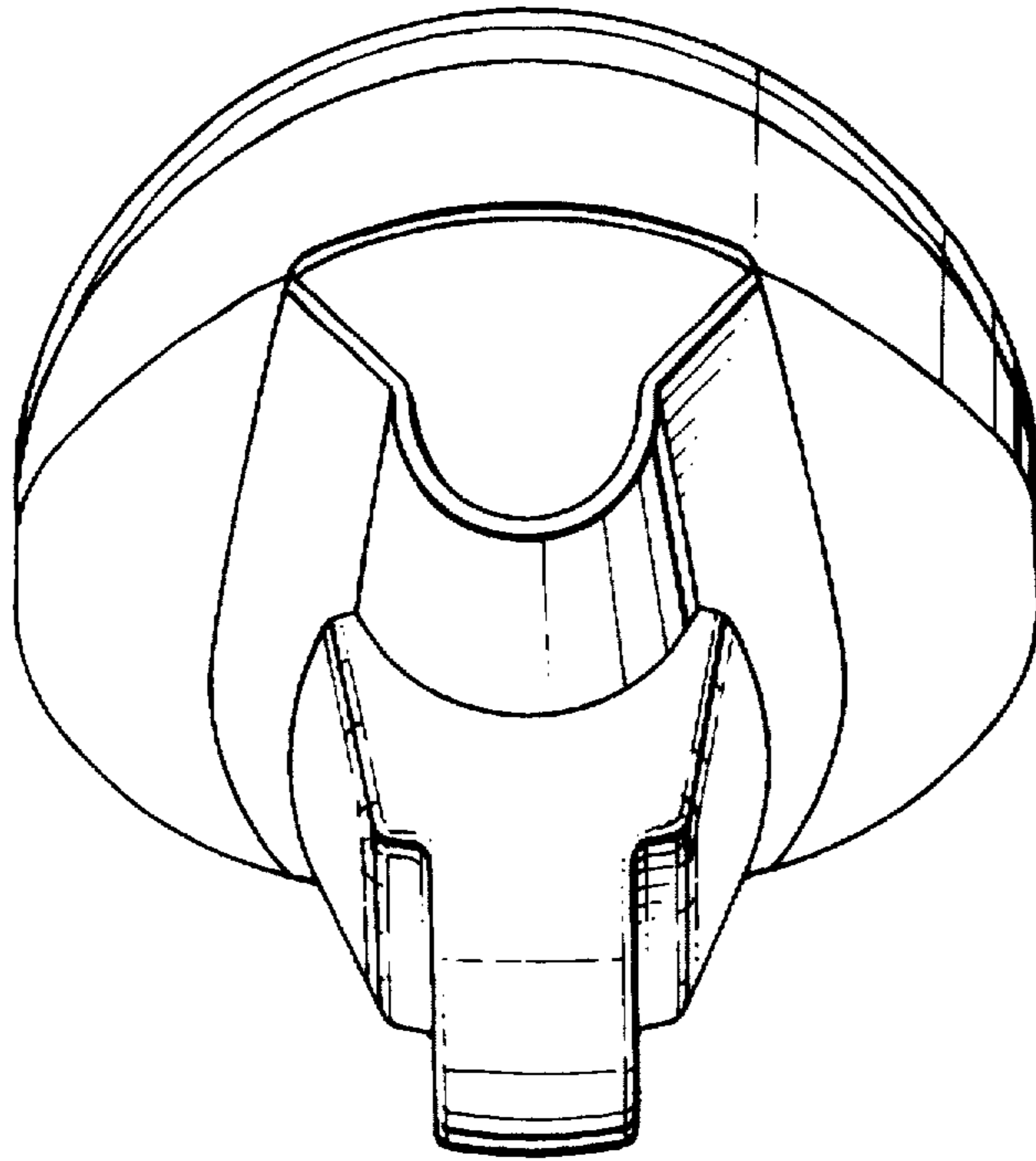


Fig.3.

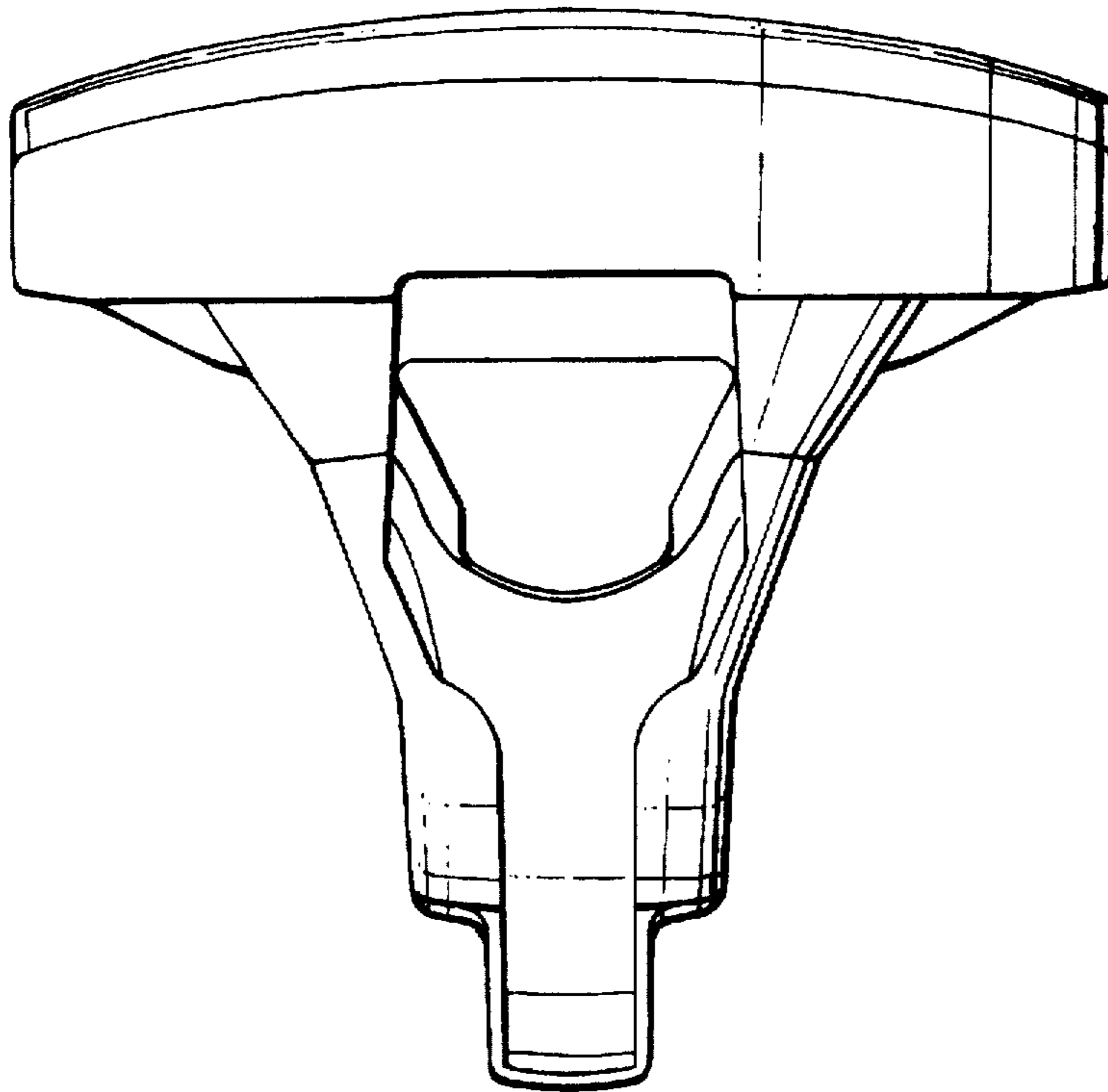


Fig.4.

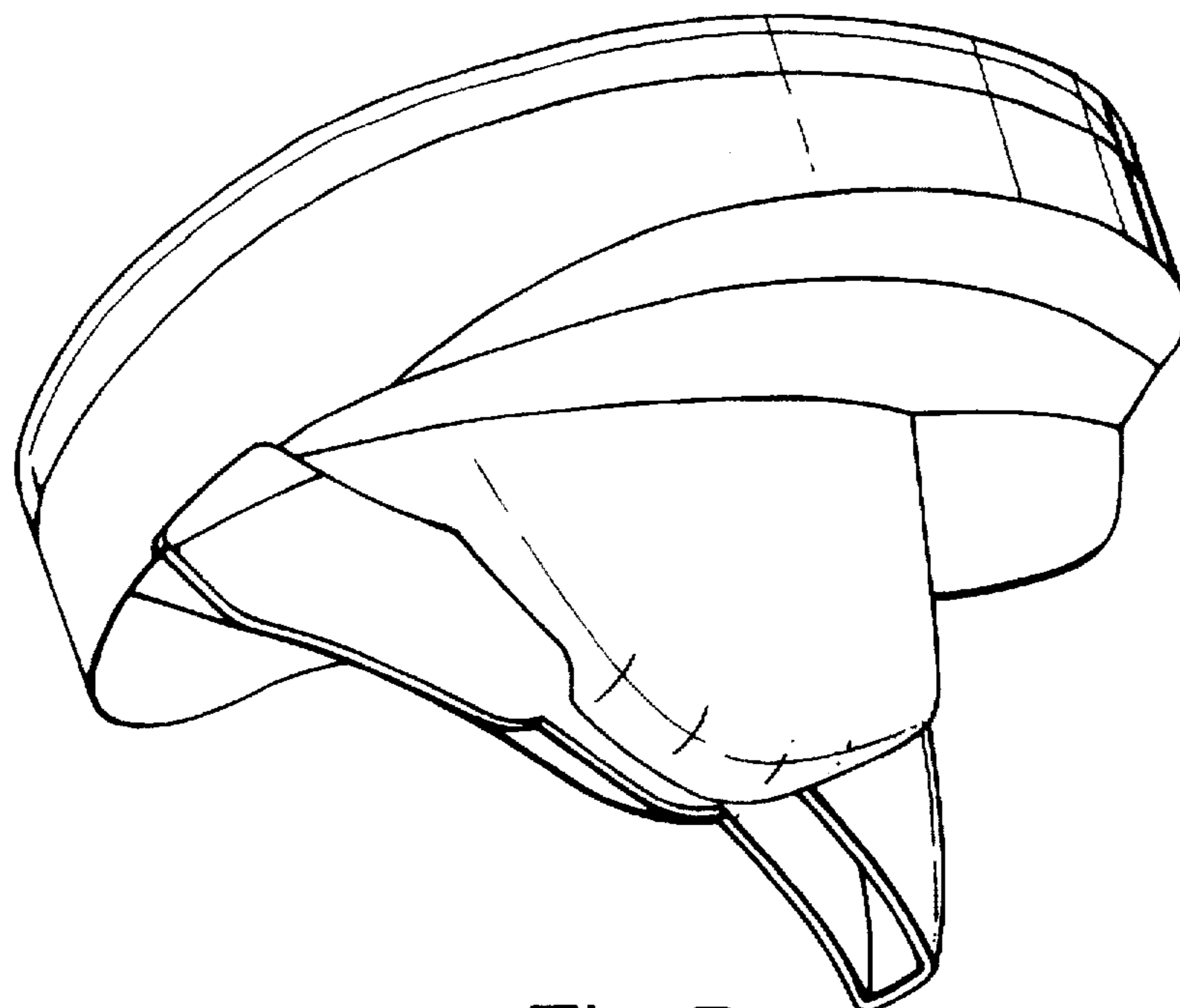


Fig.5.

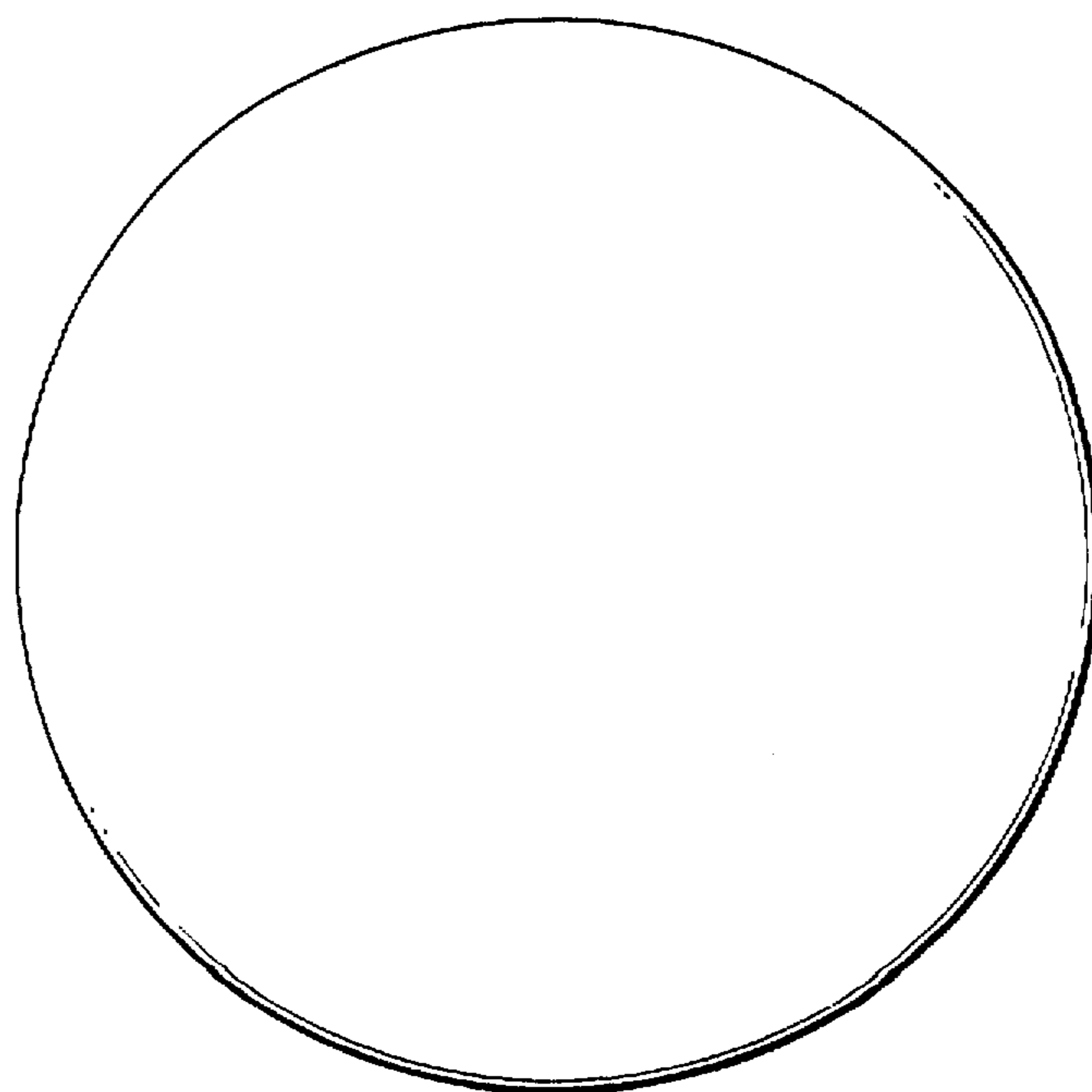


Fig.7.

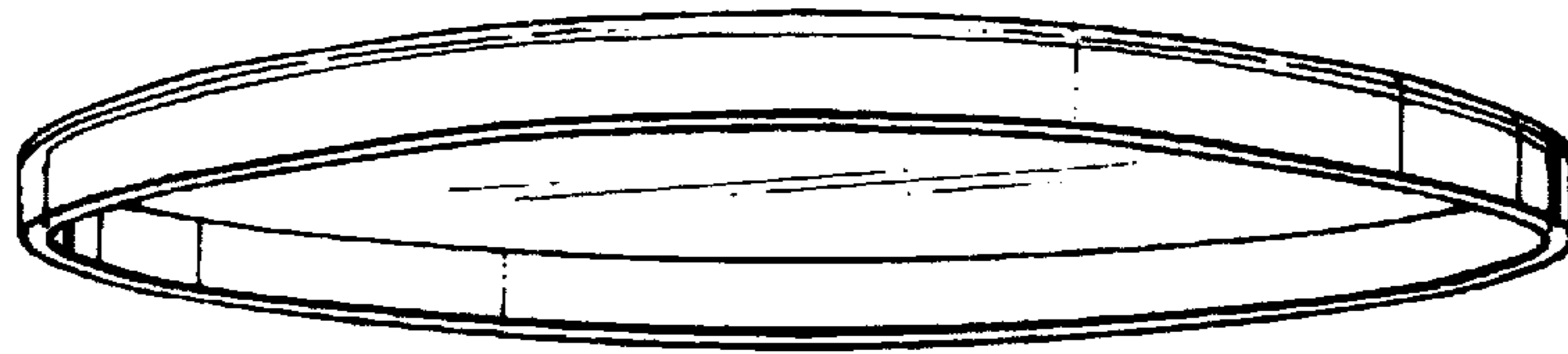


Fig. 6.

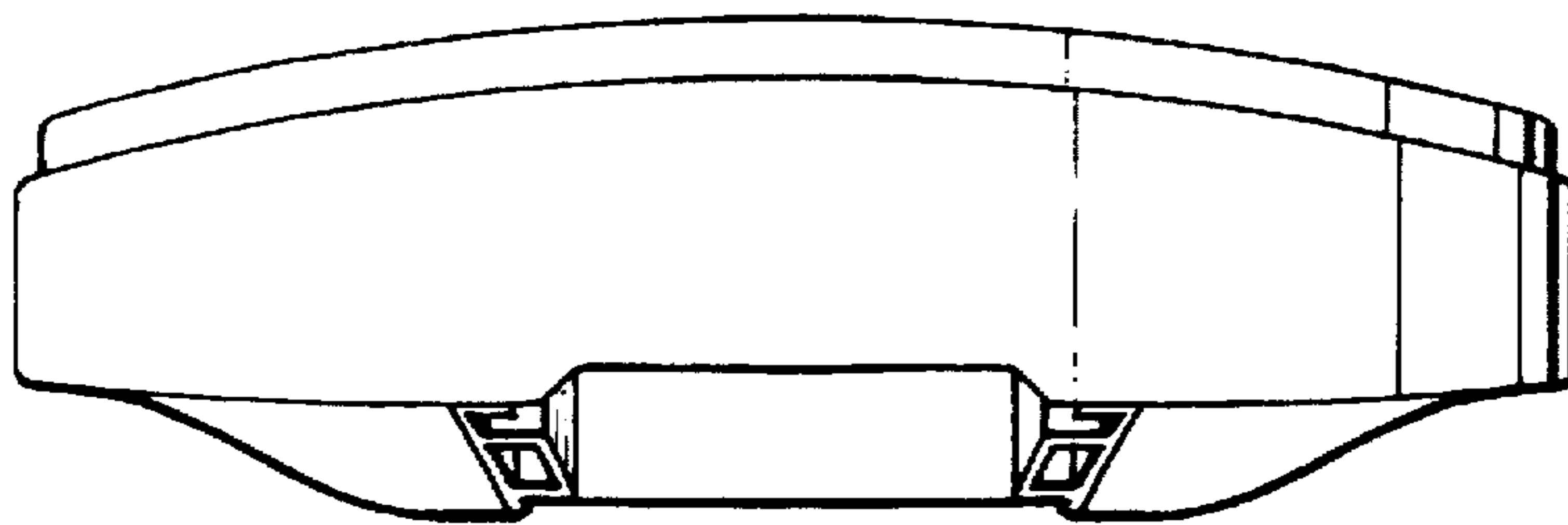


Fig. 11.

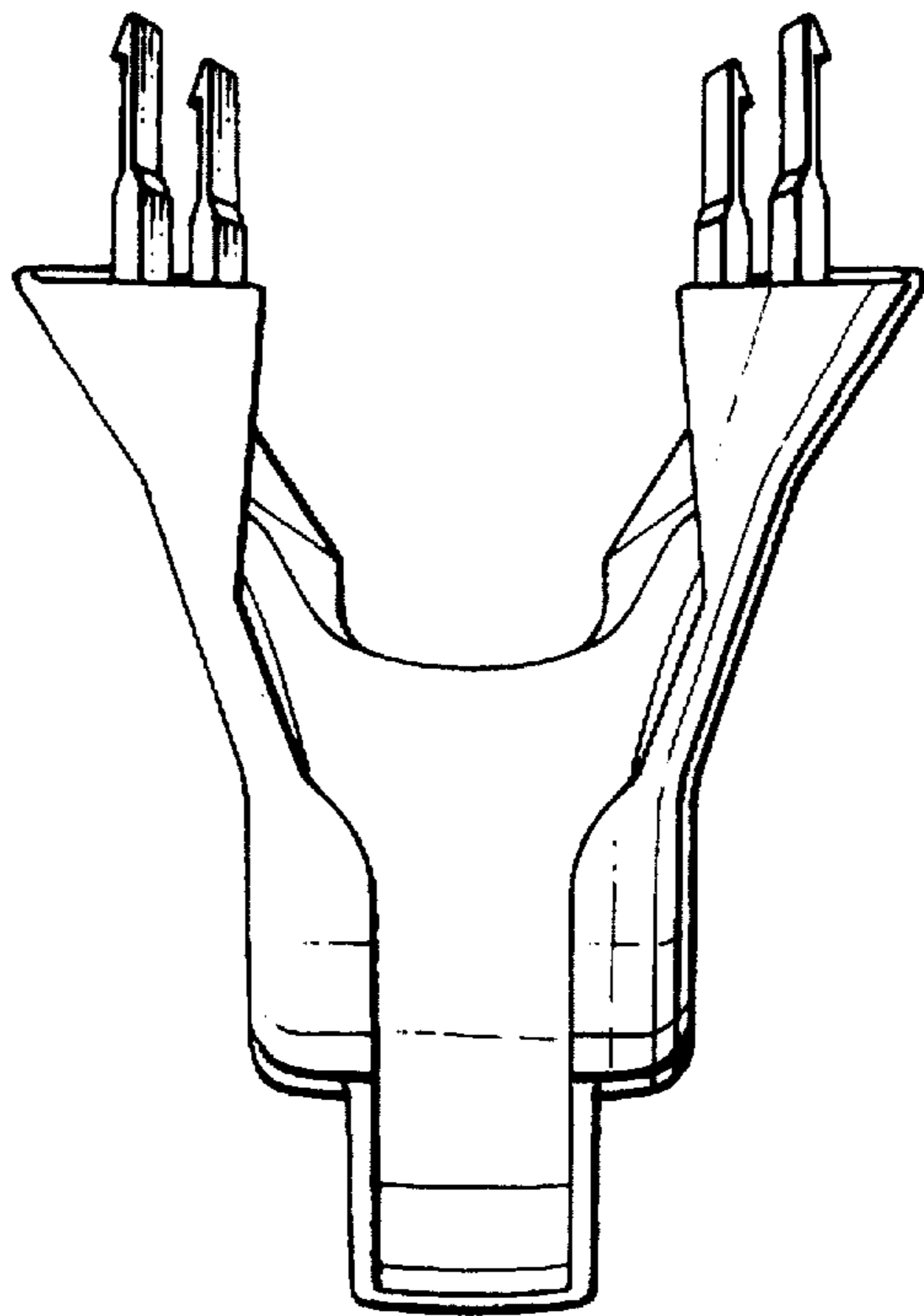


Fig. 17.

Fig.8.

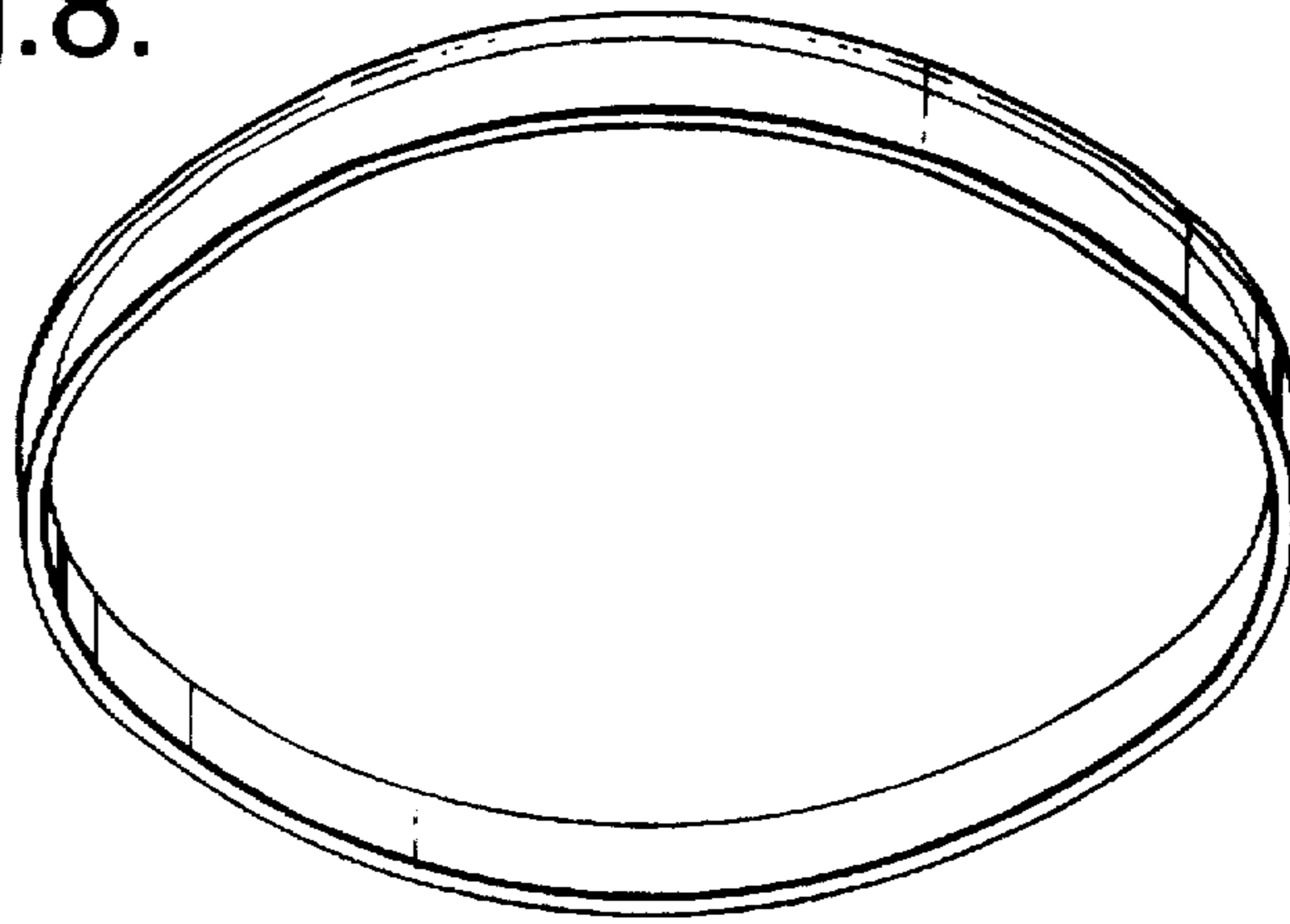


Fig.13.

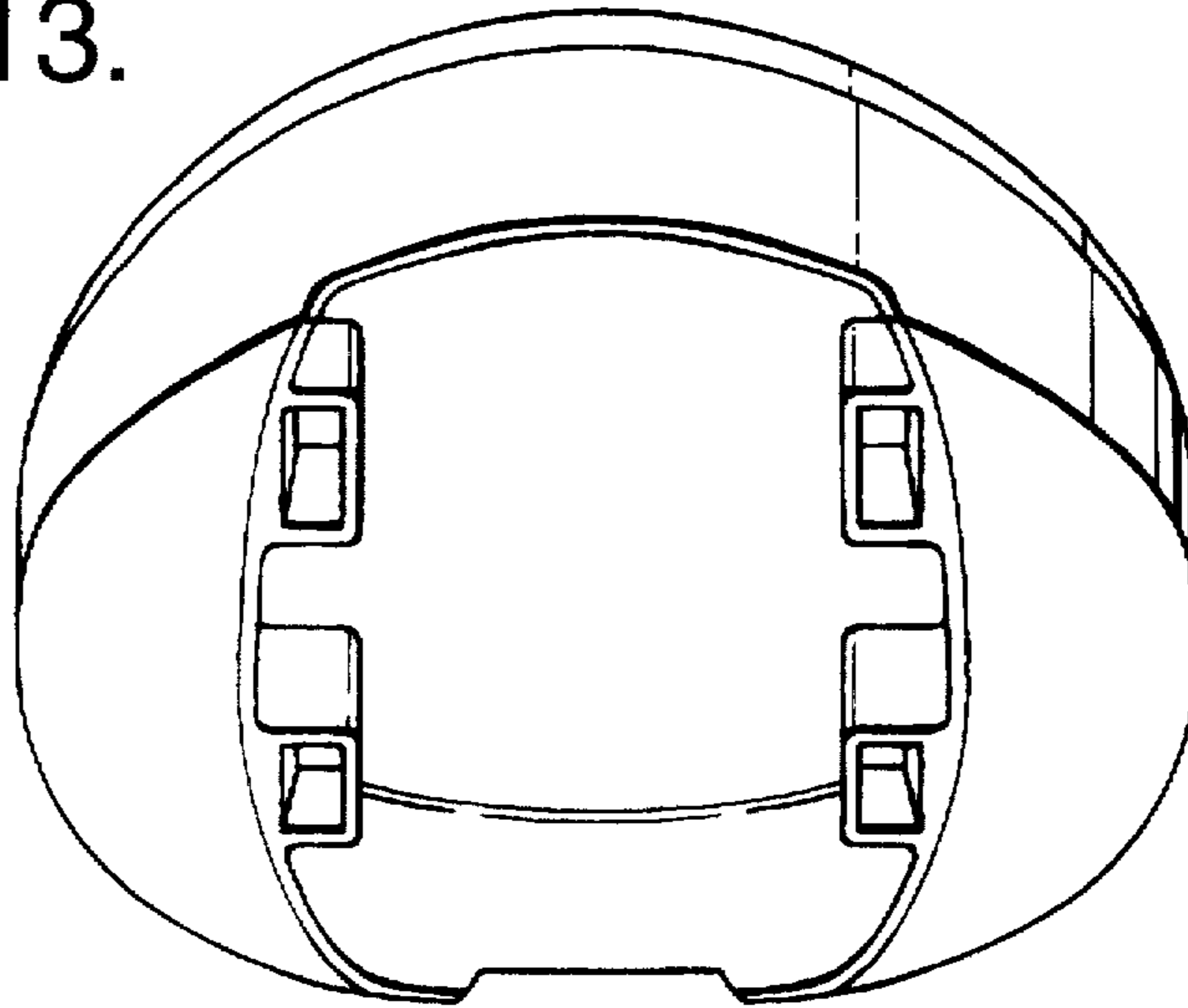


Fig.18.

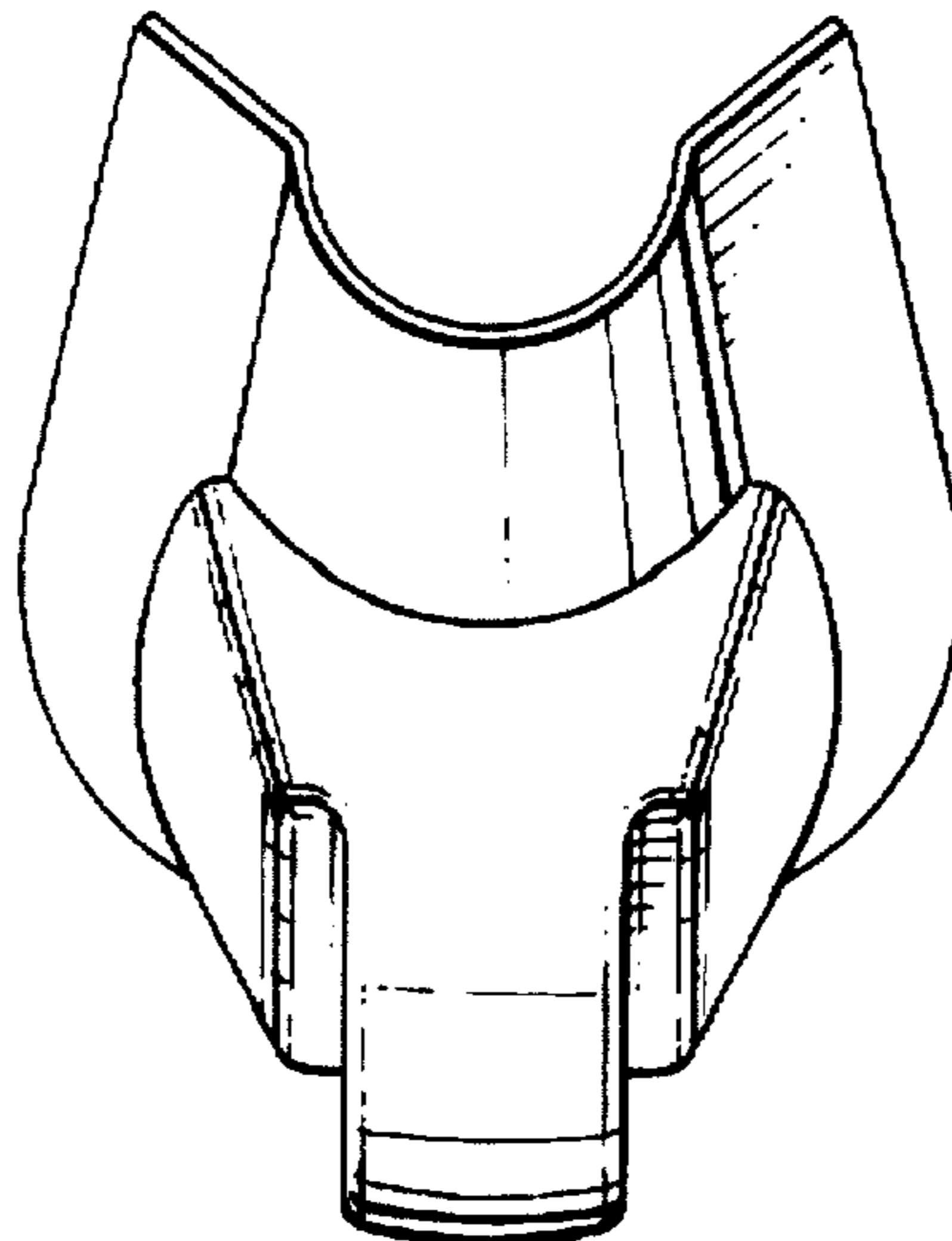


Fig.9.

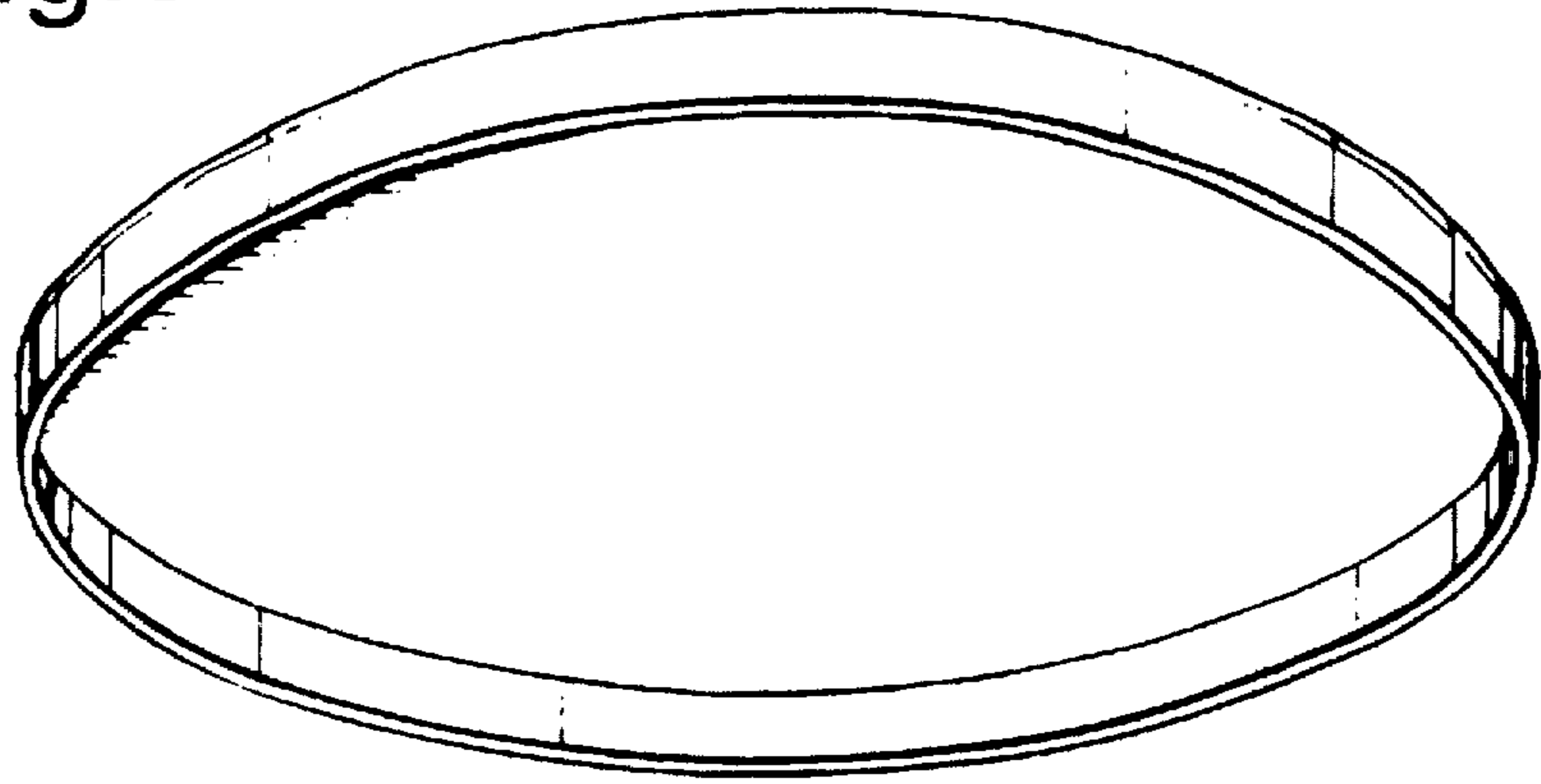


Fig.14.

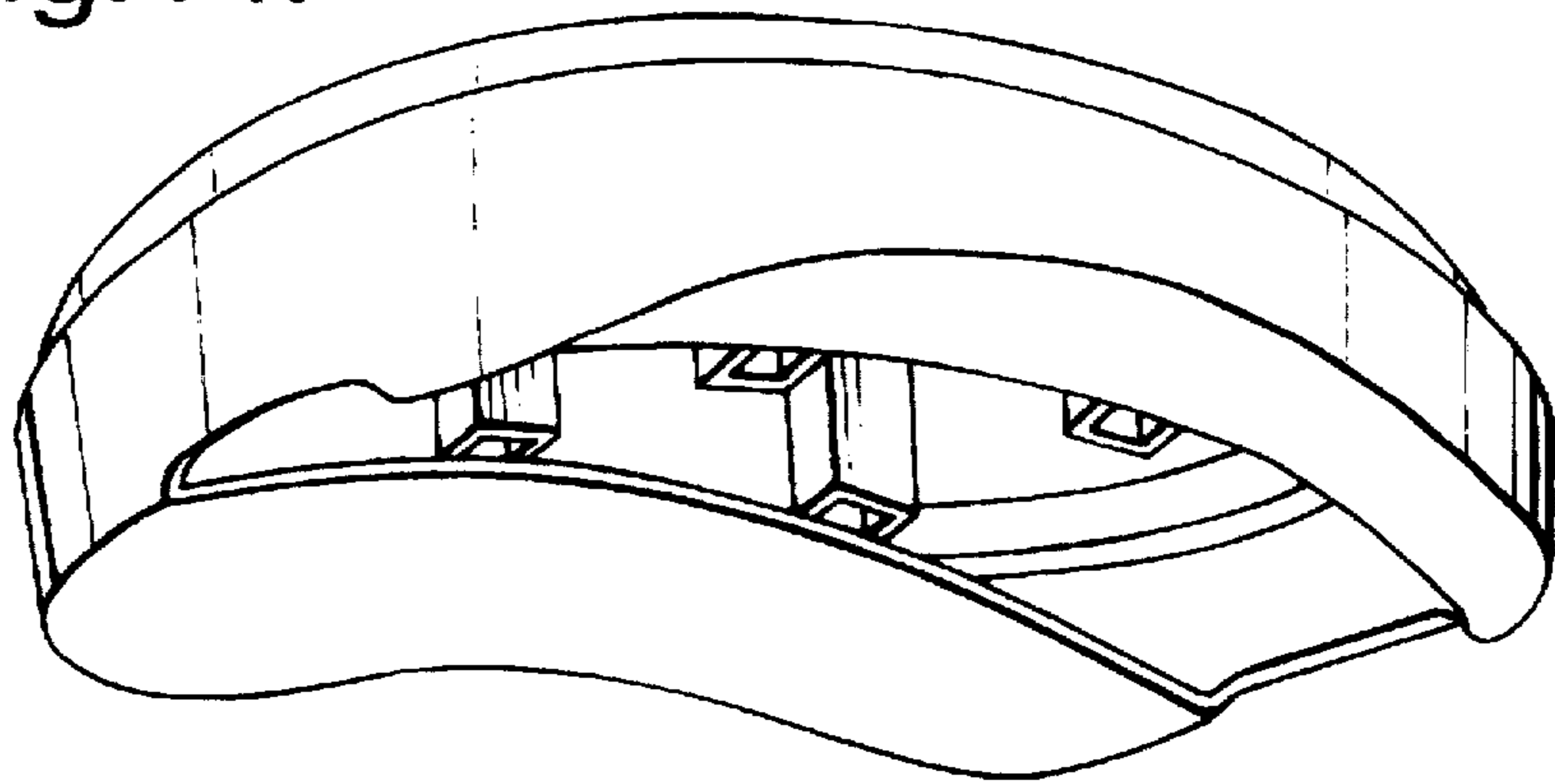


Fig.19.

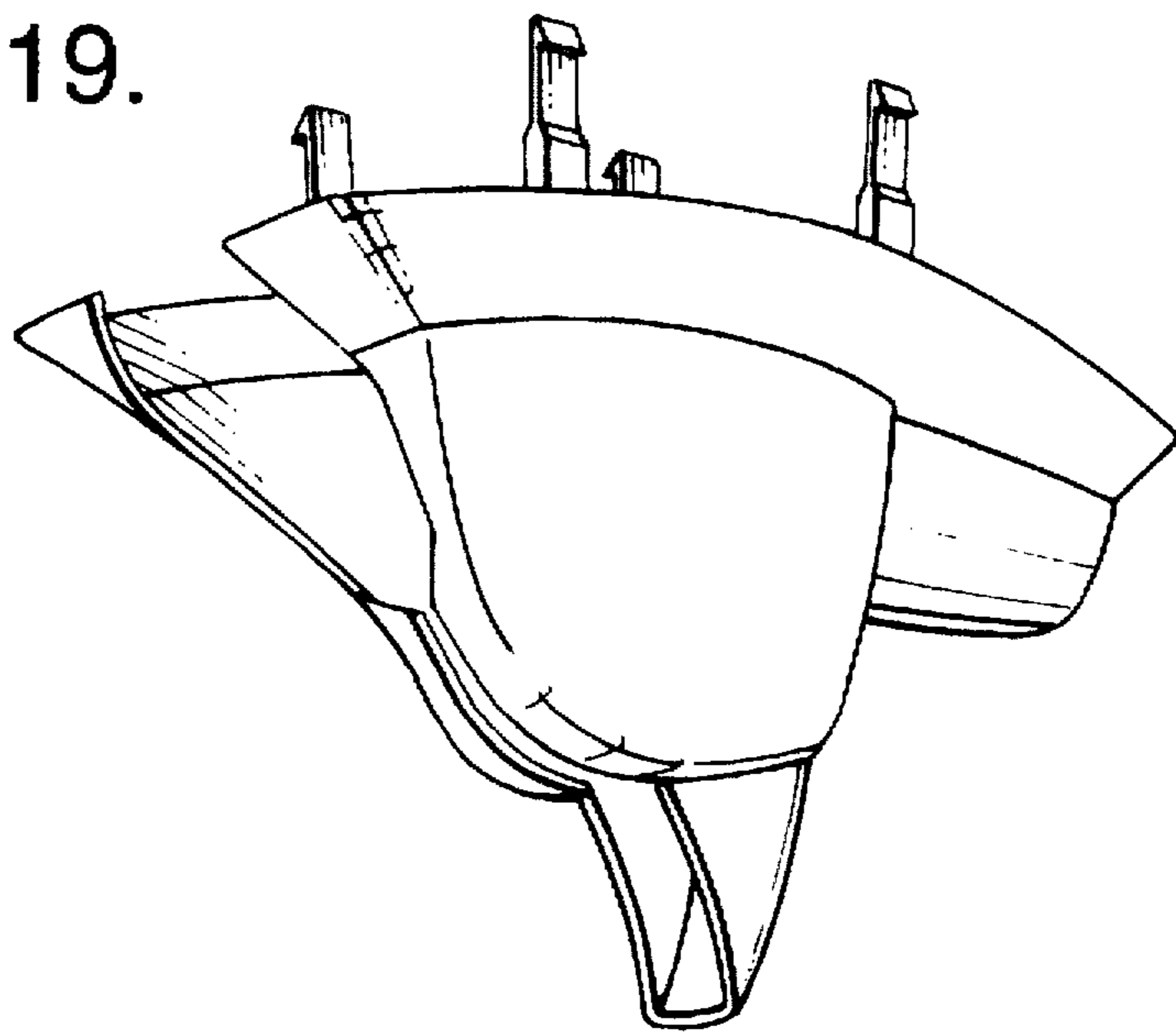


Fig.10.

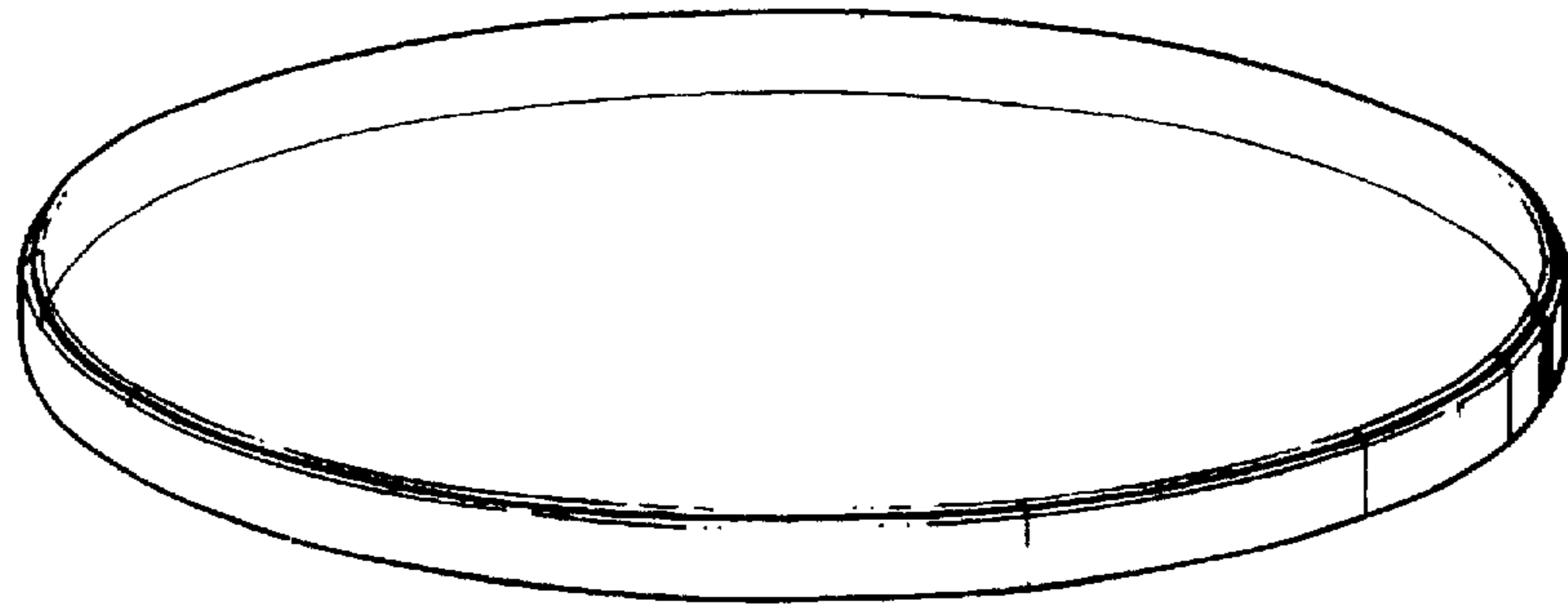


Fig.16.

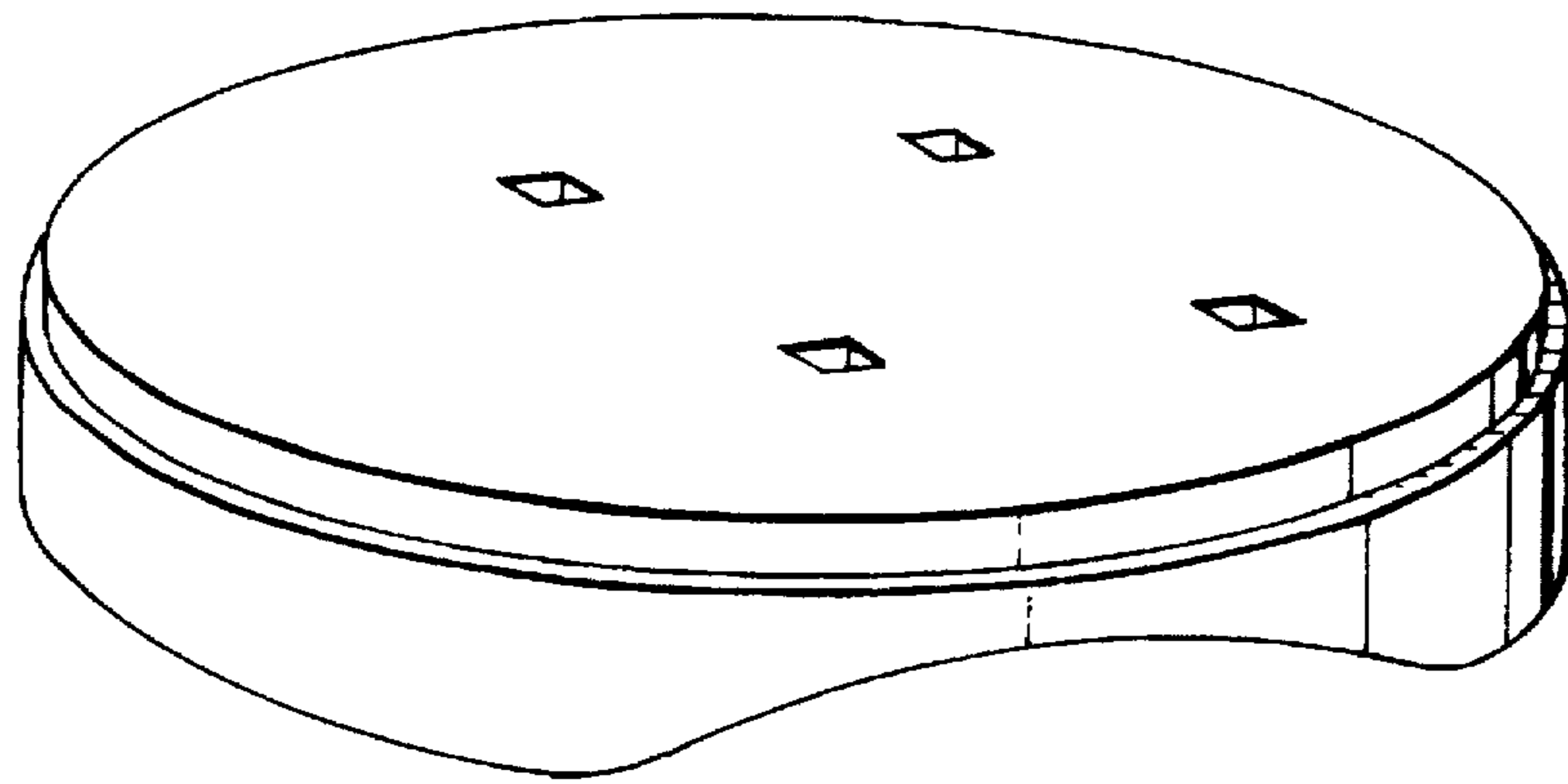


Fig.21.

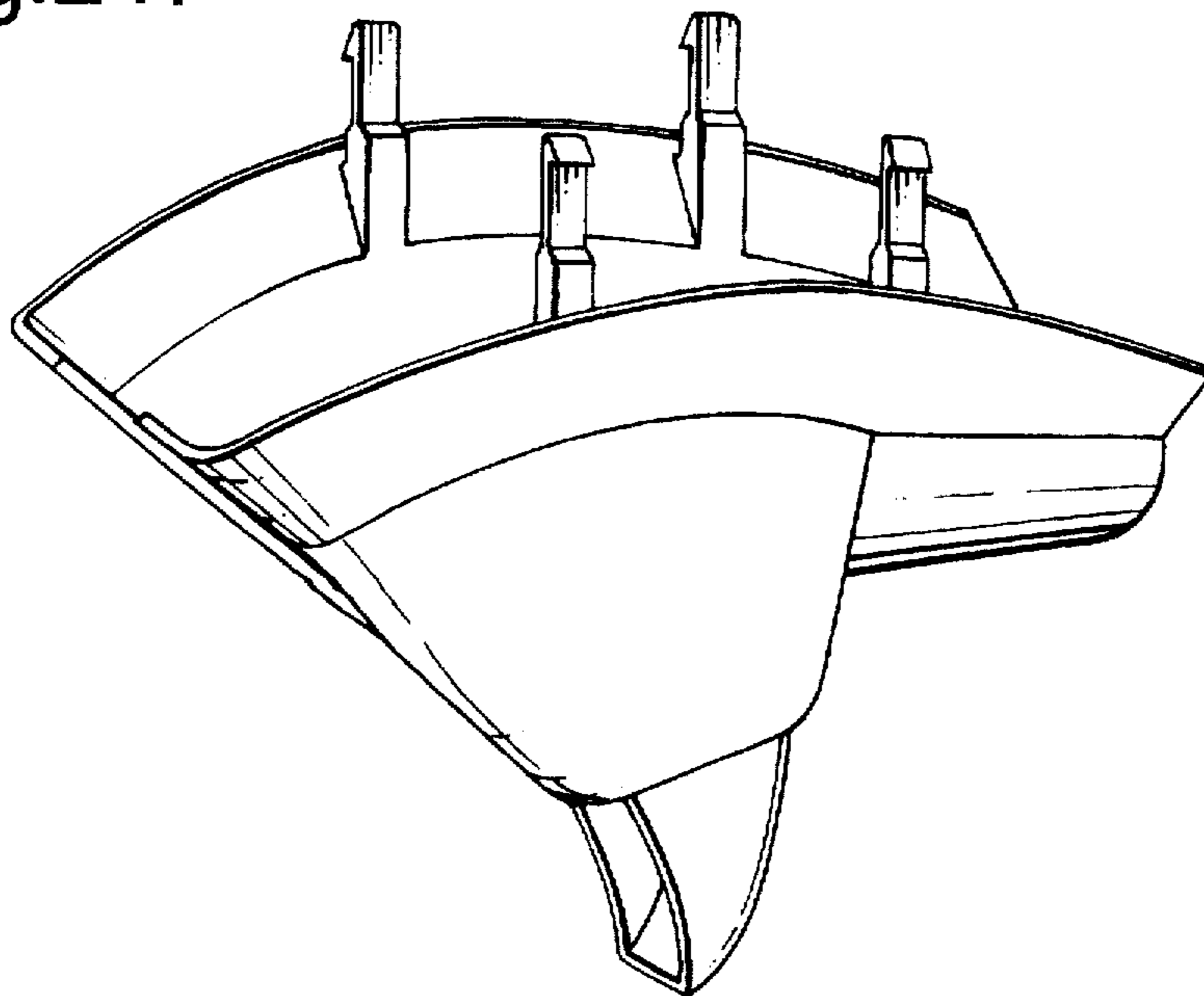


Fig.12.

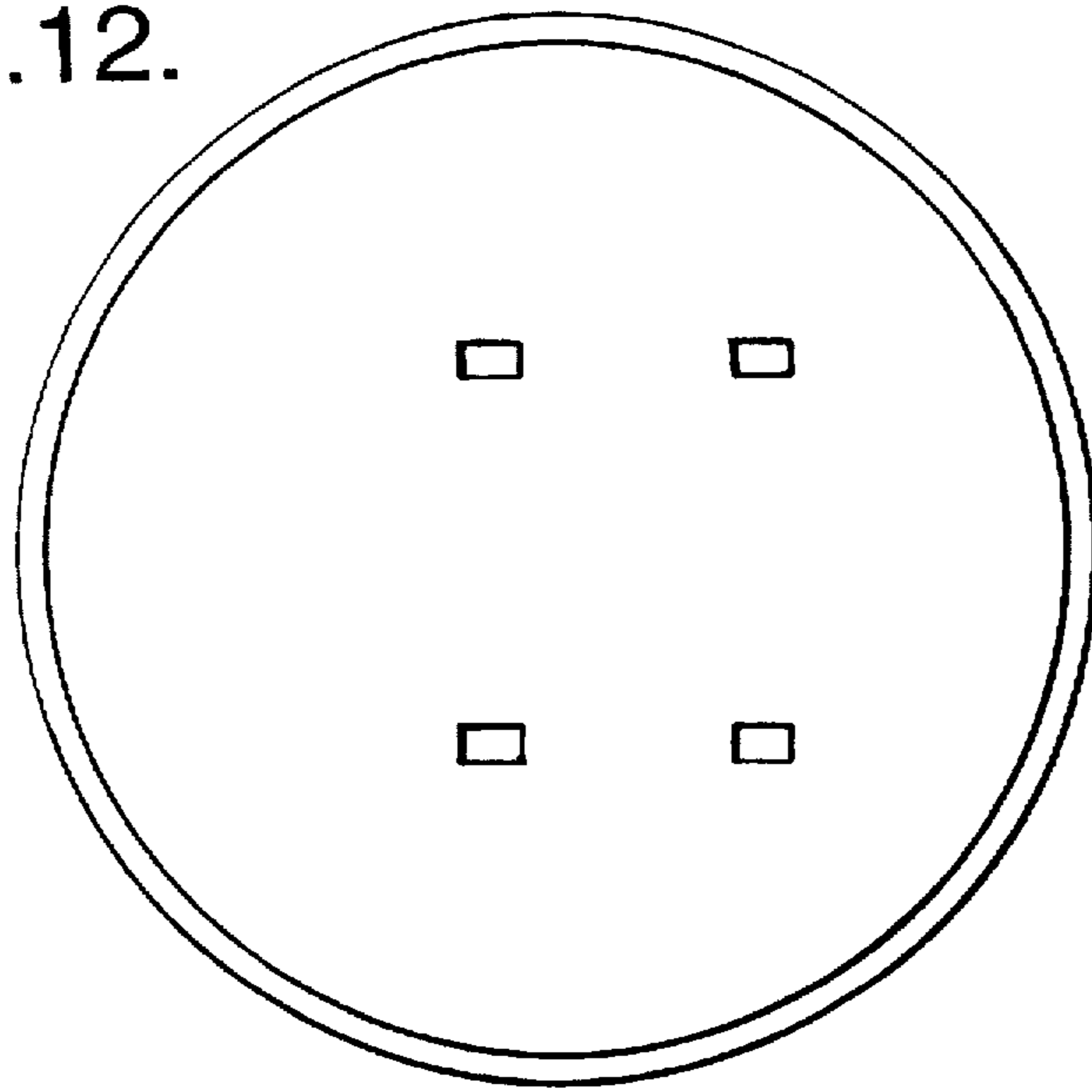


Fig.15.

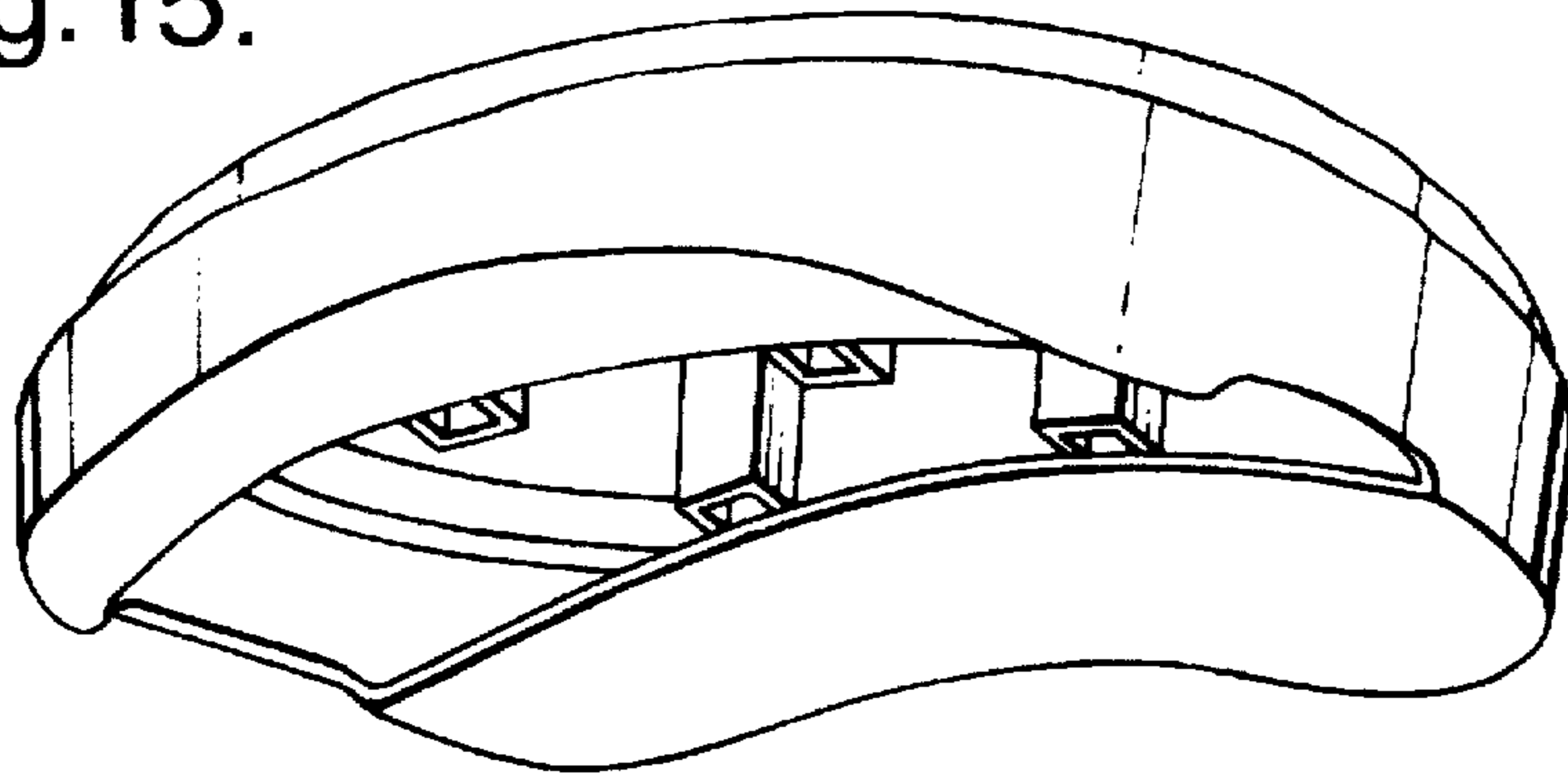


Fig.20.

