



US00D397199S

United States Patent [19]
Pickett

[11] **Patent Number: Des. 397,199**
[45] **Date of Patent: **Aug. 18, 1998**

[54] **COMBINED CEILING FAN AND LIGHT
FIXTURE**

[75] **Inventor: Mark Pickett, Rancho Palos Verdes,
Calif.**

[73] **Assignee: Minka Lighting, Inc., Corona, Calif.**

[**] **Term: 14 Years**

[21] **Appl. No.: 62,158**

[22] **Filed: Nov. 8, 1996**

[51] **LOC (6) Cl. 23-04**

[52] **U.S. Cl. D23/377; D23/379; D23/385**

[58] **Field of Search D23/377, 379,
D23/385, 411, 413; 416/5; 392/364; 362/96;
D26/80, 72, 73, 81-86, 88, 71, 75**

[56] **References Cited**

U.S. PATENT DOCUMENTS

D. 7,495	6/1874	Kellett	D25/147
D. 40,963	11/1910	Blankenmeister	D7/576
D. 297,456	8/1988	Pearce	D23/385
D. 344,794	3/1994	Galler	D23/377
D. 346,210	4/1994	Holbrook	D23/411
4,936,751	6/1990	Marshall	416/246

OTHER PUBLICATIONS

Periculum Cat. p. 3. Bottom Plate (A), bottom left side of page.

Primary Examiner—Lisa Lichtenstein
Attorney, Agent, or Firm—Jenkins & Gilchrist, P.C.

[57] **CLAIM**

The ornamental design for a combined ceiling fan and light fixture, as shown and described.

DESCRIPTION

FIG. 1 is a front, bottom perspective view of a ceiling fan incorporating my new design;
FIG. 2 is a front top perspective view thereof;
FIG. 3 is an enlarged side perspective view of a representative side thereof;
FIG. 4 is a bottom plan view thereof; and,
FIG. 5 is a top plan view thereof on a slightly enlarged scale. The rear of the design is substantially identical to the front. The support rod has been shown broken-away in FIGS. 1 and 2 to indicate indeterminate length and the blades have been shown broken-away in FIGS. 1-5 to indicate indeterminate length.

1 Claim, 5 Drawing Sheets

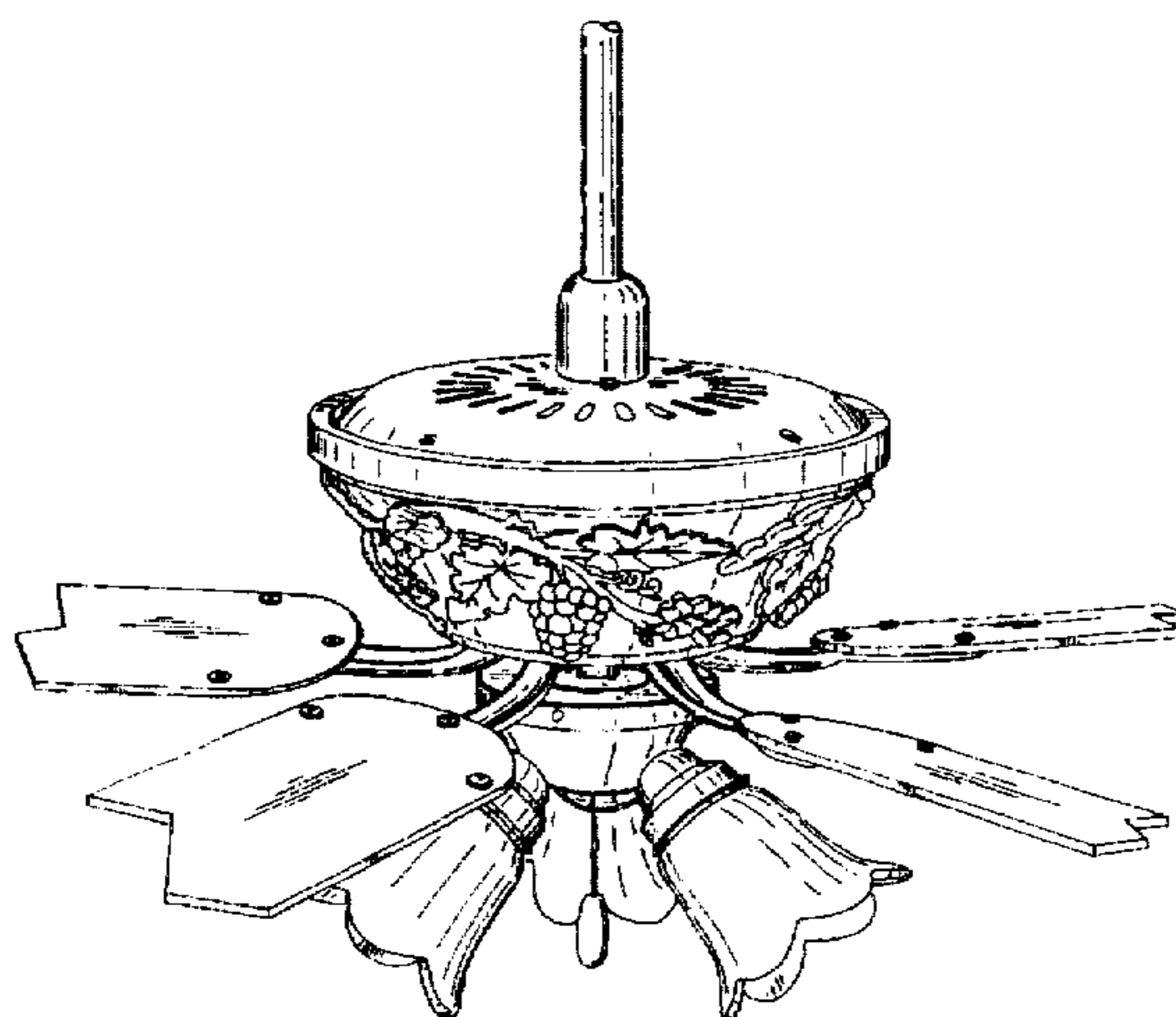
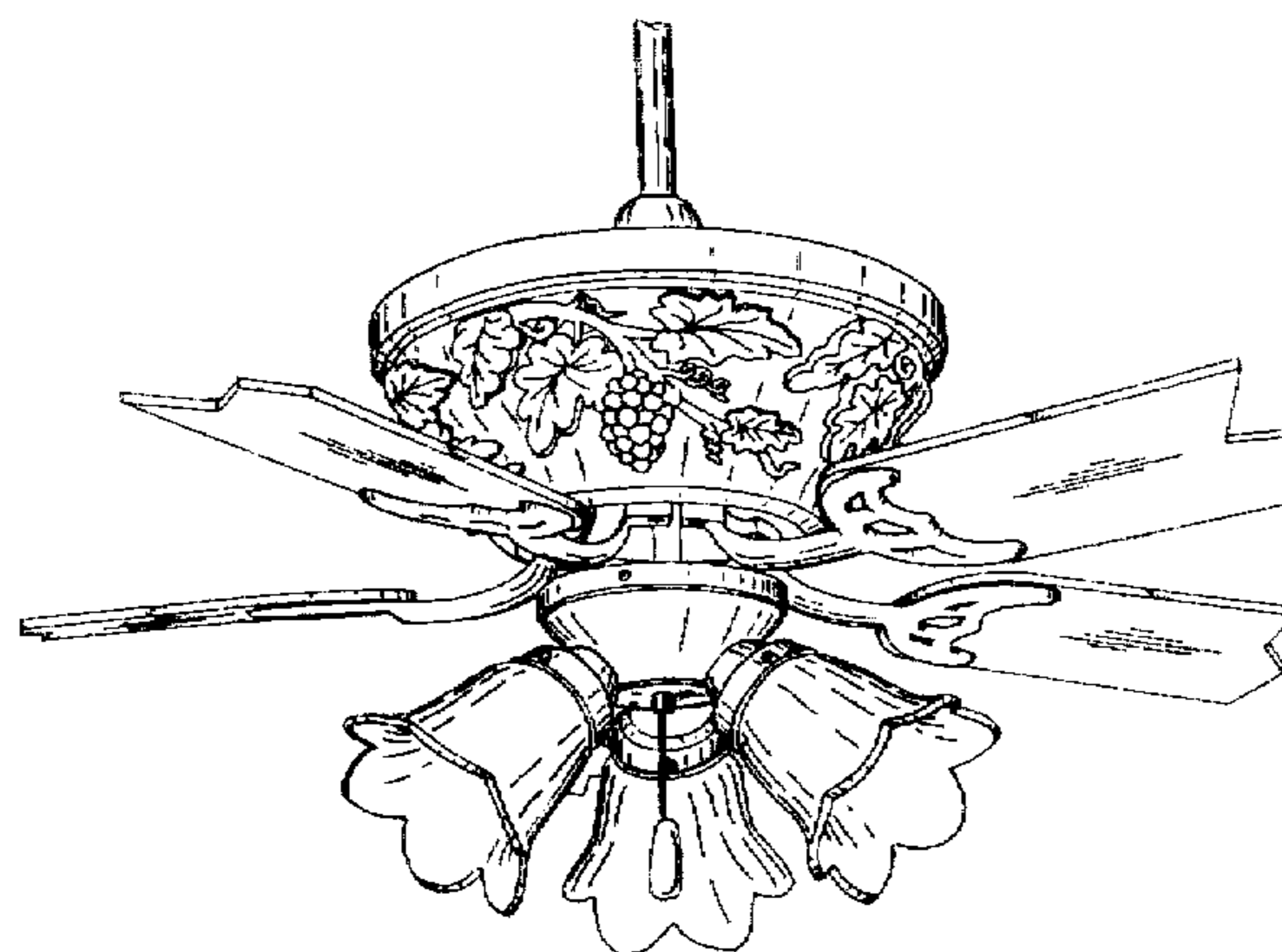


FIG. 1

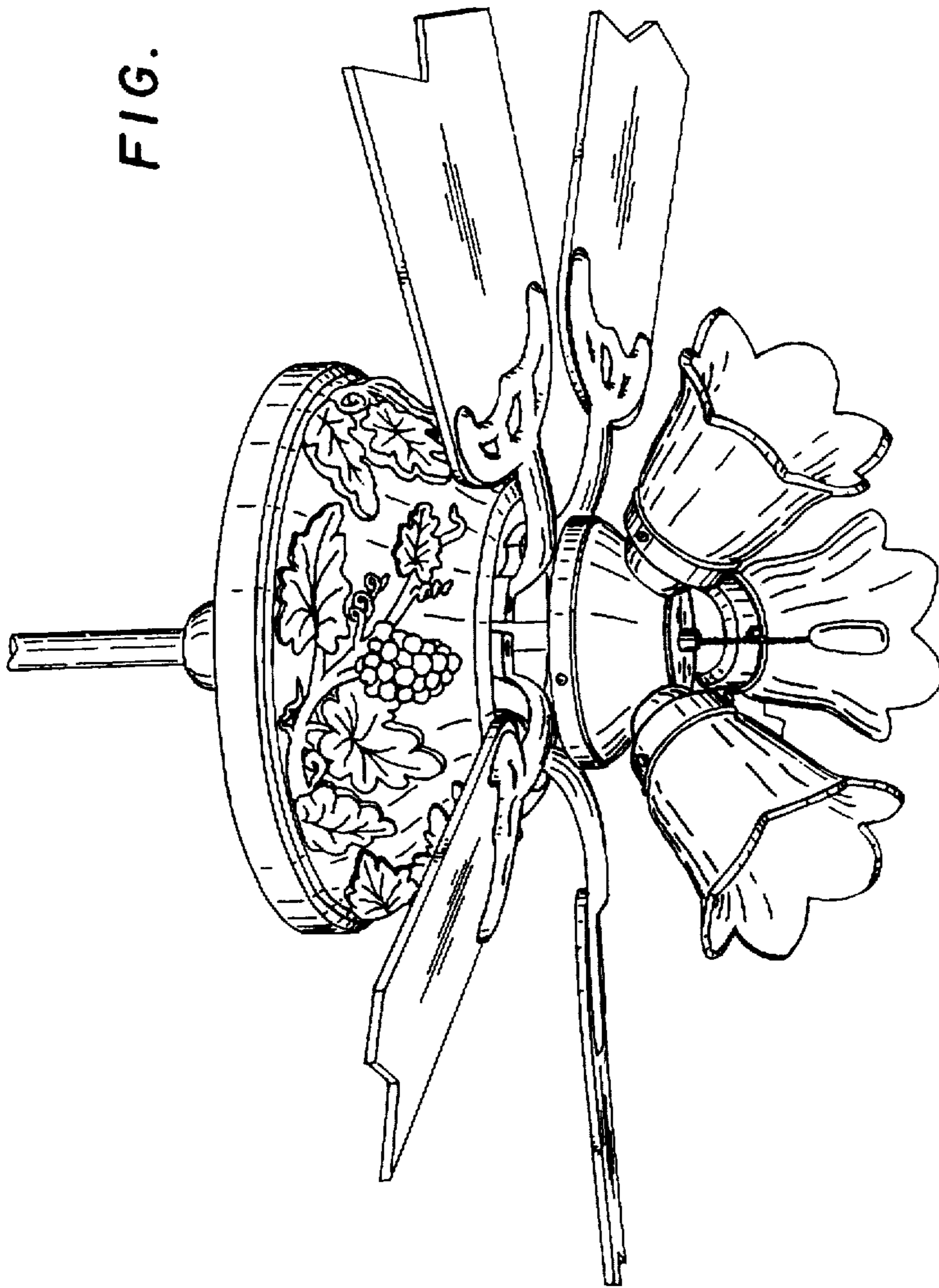


FIG. 2

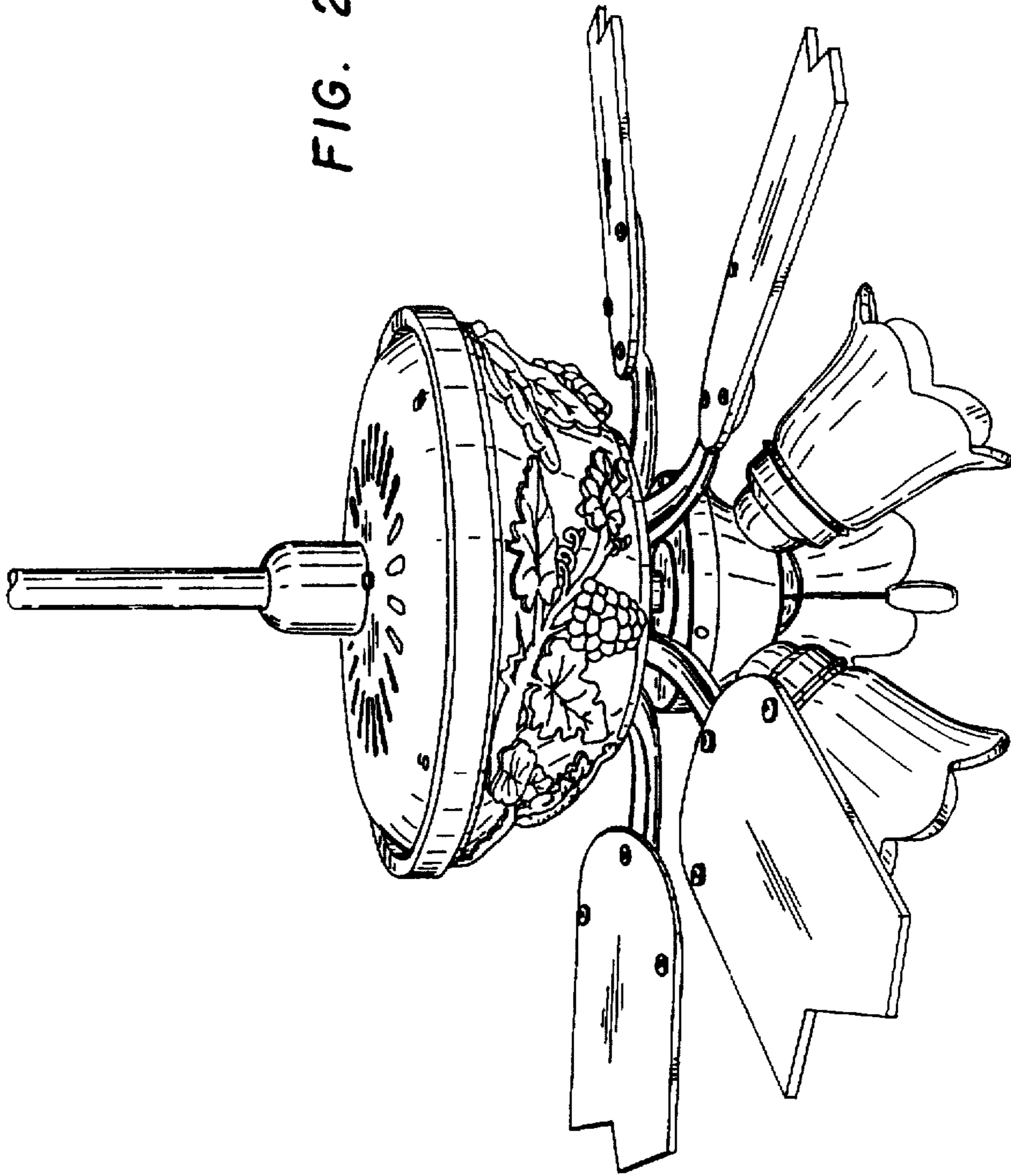


FIG. 3

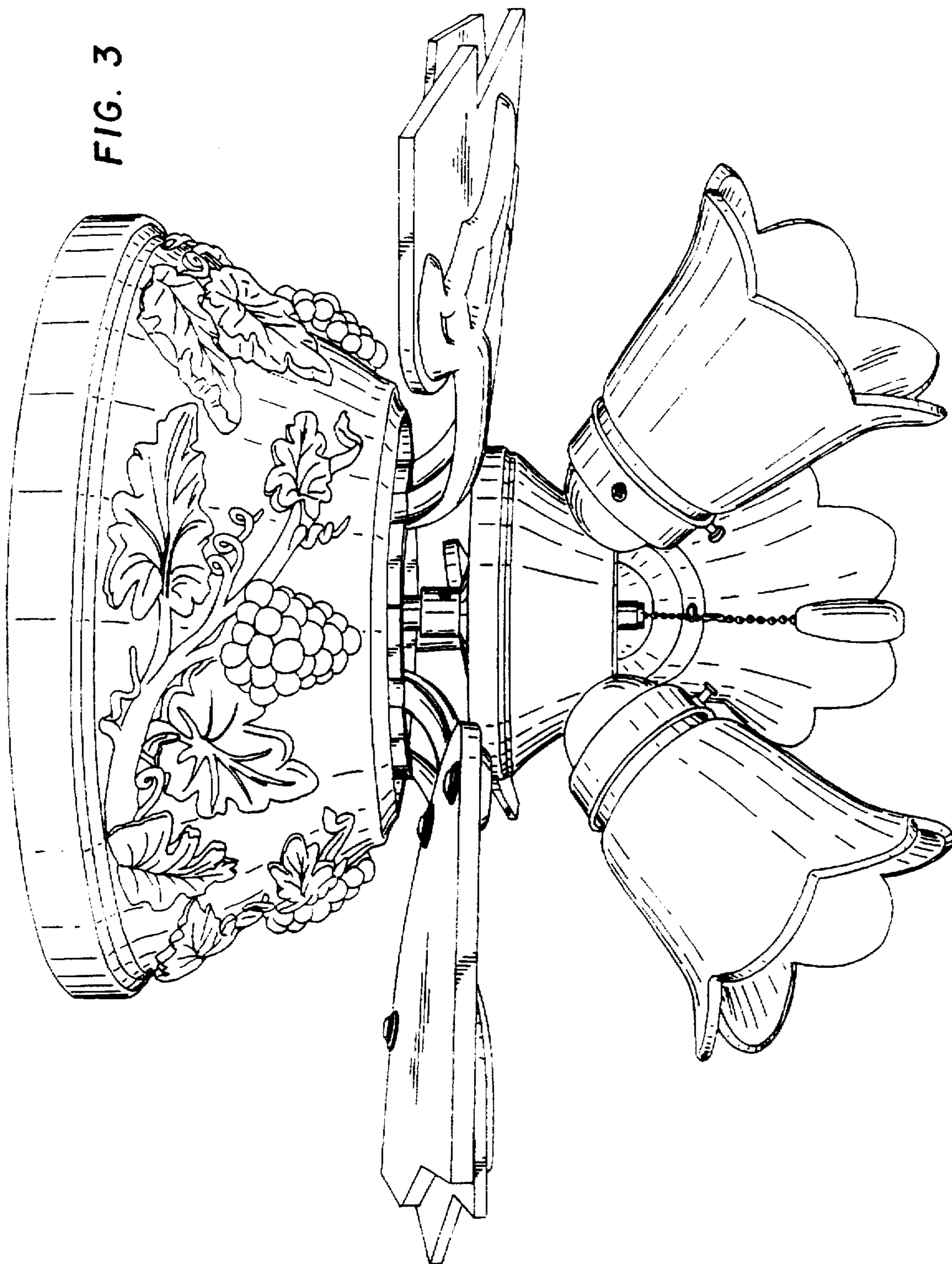


FIG. 4

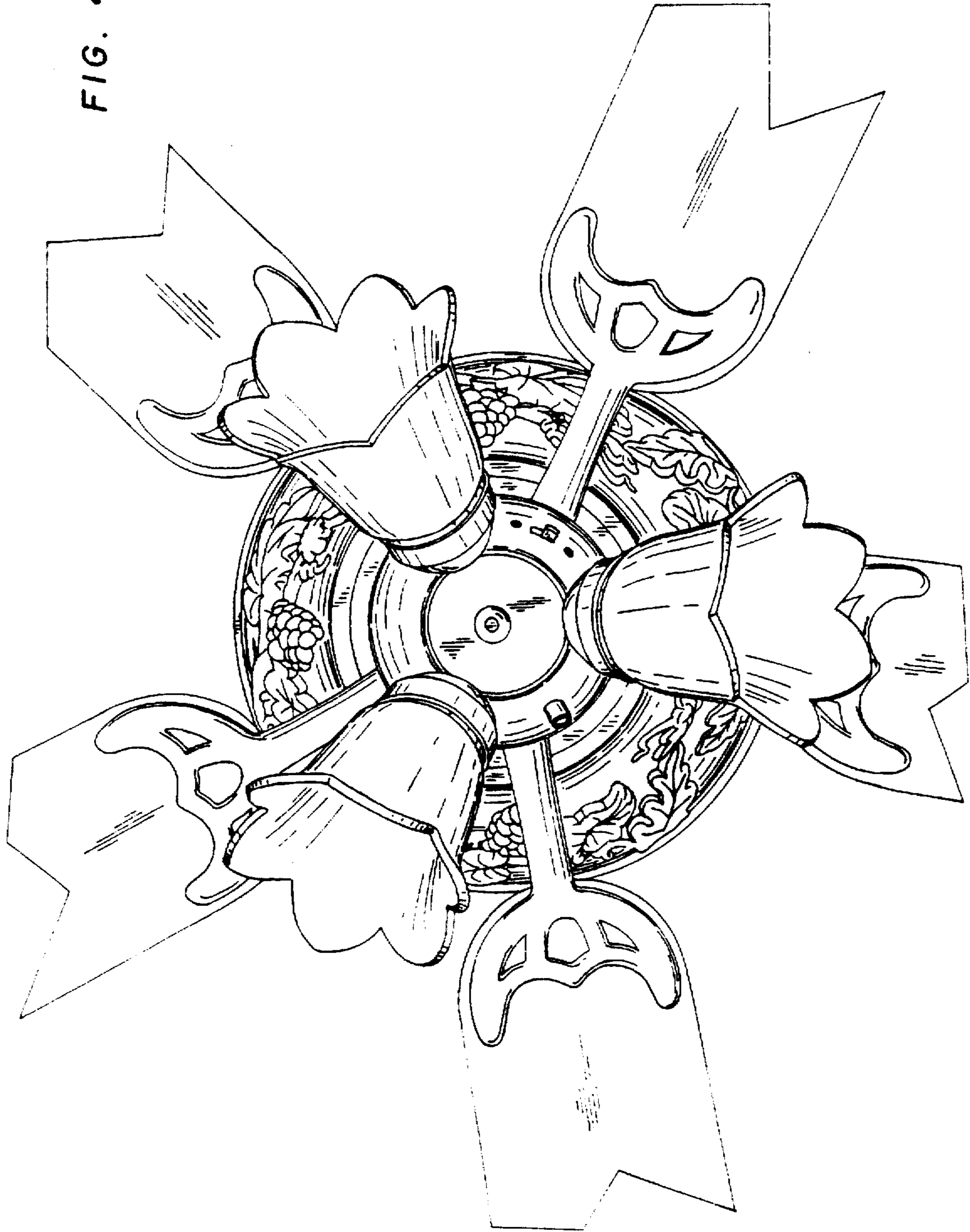


FIG. 5

