



US00D397196S

United States Patent [19]
Tsuji

[11] **Patent Number: Des. 397,196**
[45] **Date of Patent: **Aug. 18, 1998**

[54] **HUMIDIFIER**

D. 375,349 11/1996 Gonzales D23/358

[75] **Inventor: Masao Tsuji, Germantown, Tenn.**

Primary Examiner—Lisa Lichtenstein
Attorney, Agent, or Firm—Baker, Donelson, Bearman & Caldwell

[73] **Assignee: Hunter Fan Company, Memphis, Tenn.**

[**] **Term: 14 Years**

[57] **CLAIM**

[21] **Appl. No.: 80,574**

The ornamental design for a humidifier, as shown and described.

[22] **Filed: Nov. 18, 1997**

DESCRIPTION

Related U.S. Application Data

[62] **Division of Ser. No. 64,680, Jan. 8, 1997.**

FIG. 1 is a perspective view of a humidifier showing my new design;

[51] **LOC (6) Cl. 23-04**

FIG. 2 is a right-side view of the humidifier shown in FIG. 1, the left-side view being a mirror image thereof;

[52] **U.S. Cl. D23/356; D23/358**

FIG. 3 is a front view thereof;

[58] **Field of Search D23/356-363; 261/107, DIG. 48, 104, 81, 1; 239/136; 422/120, 123; 392/403-406, 394**

FIG. 4 is a rear view thereof;

FIG. 5 is a top view thereof; and,

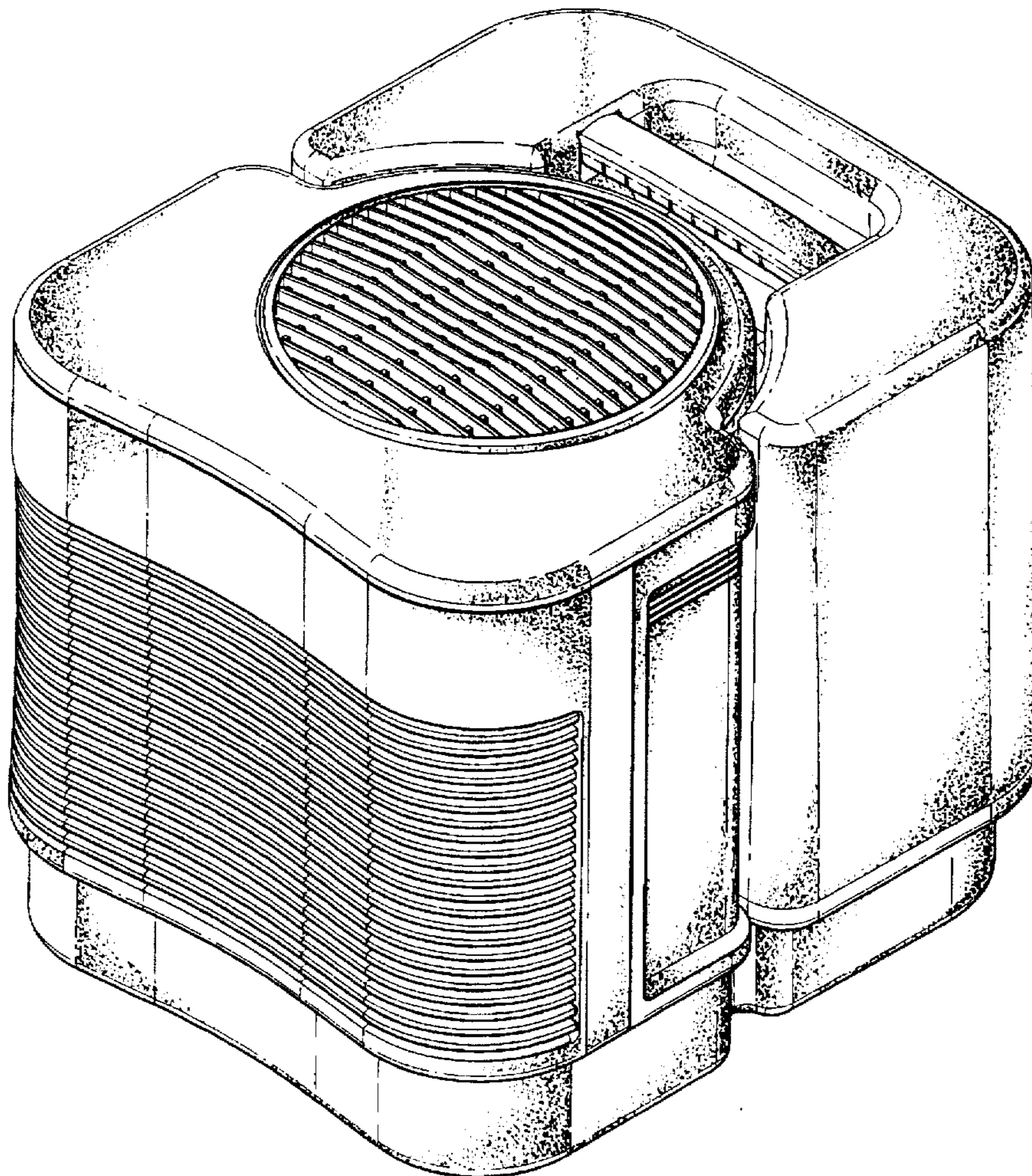
FIG. 6 is a bottom view thereof.

[56] **References Cited**

U.S. PATENT DOCUMENTS

D. 330,074 10/1992 Wang et al. D23/356

1 Claim, 6 Drawing Sheets



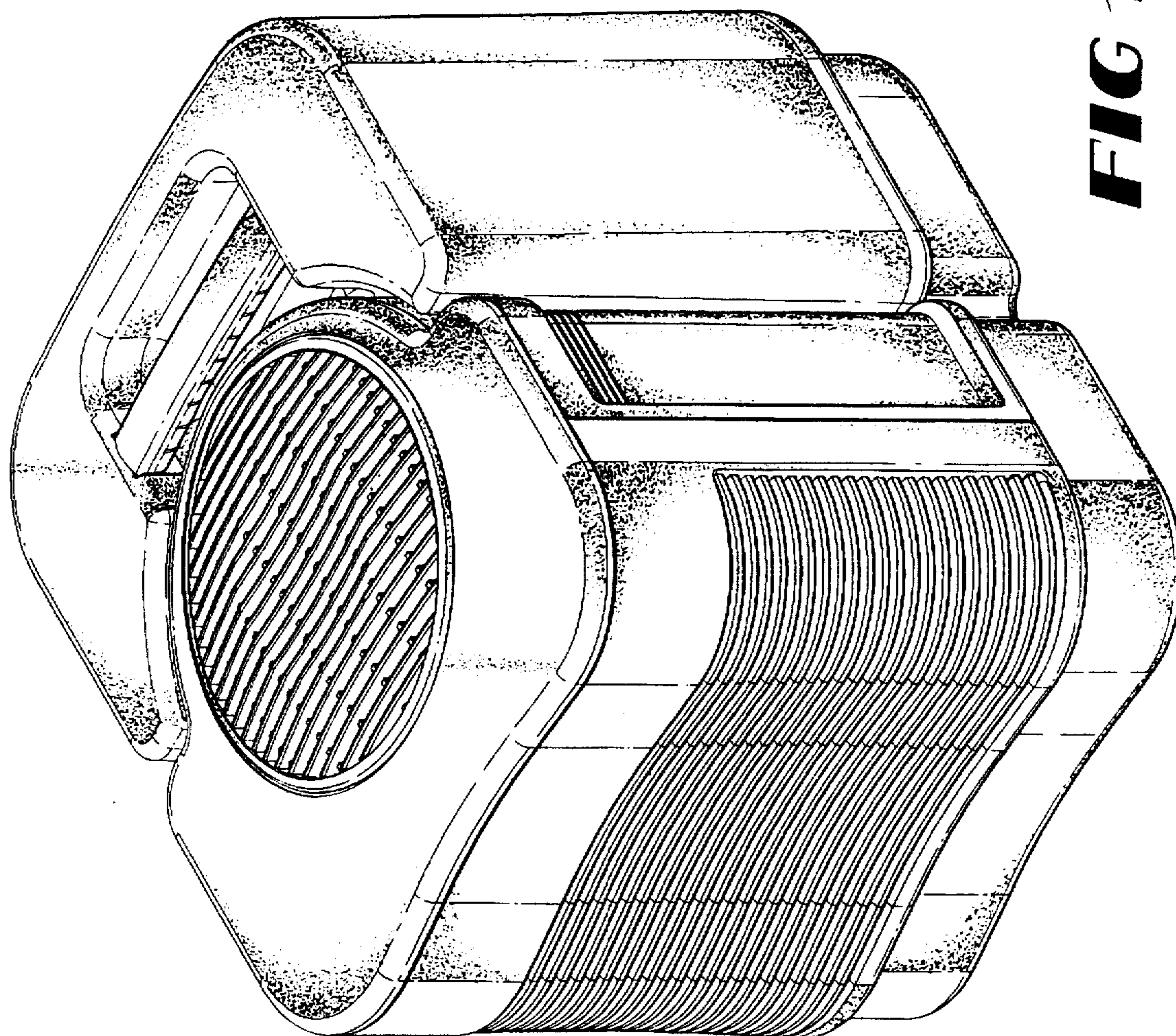


FIG 1

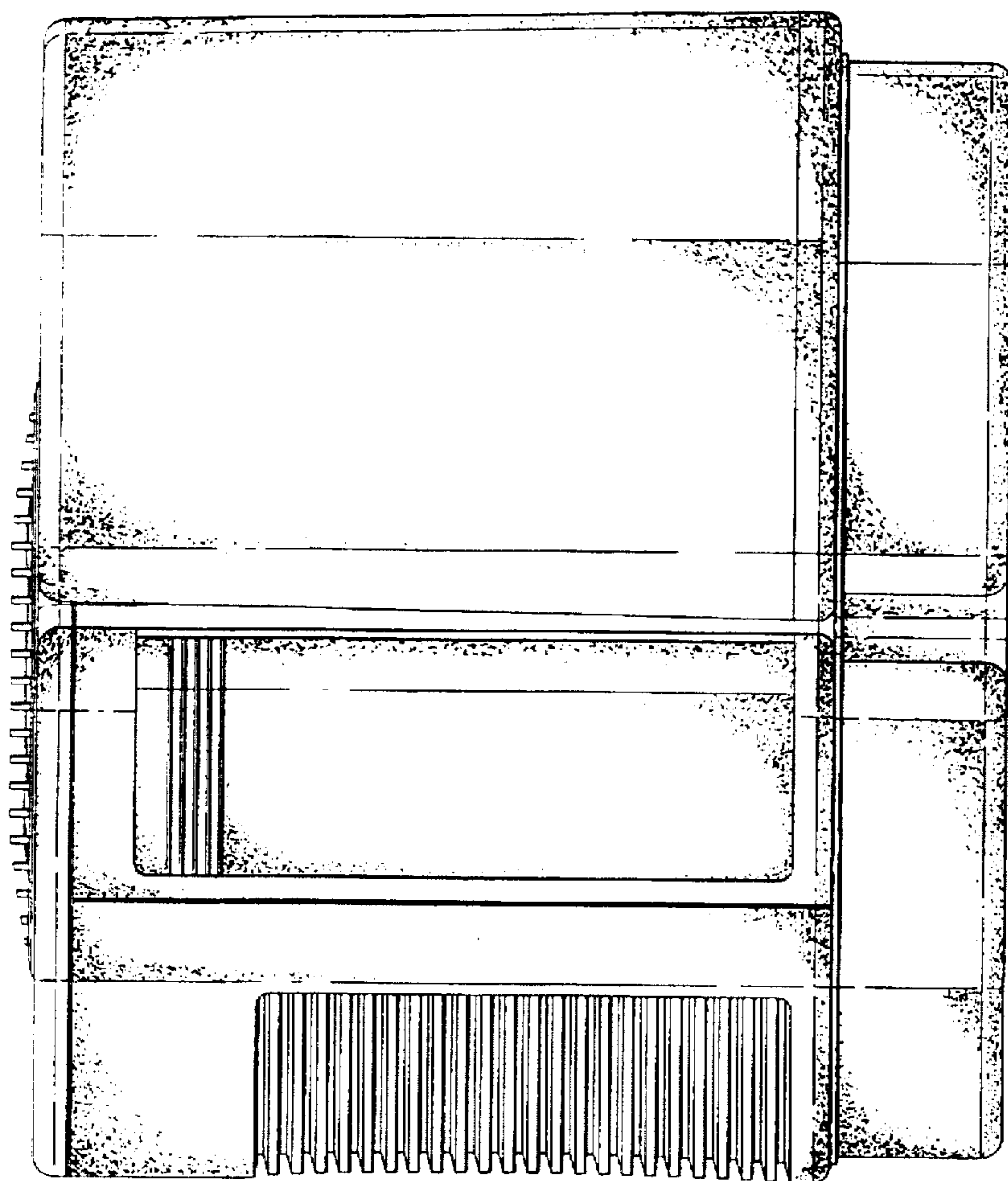


FIG 2

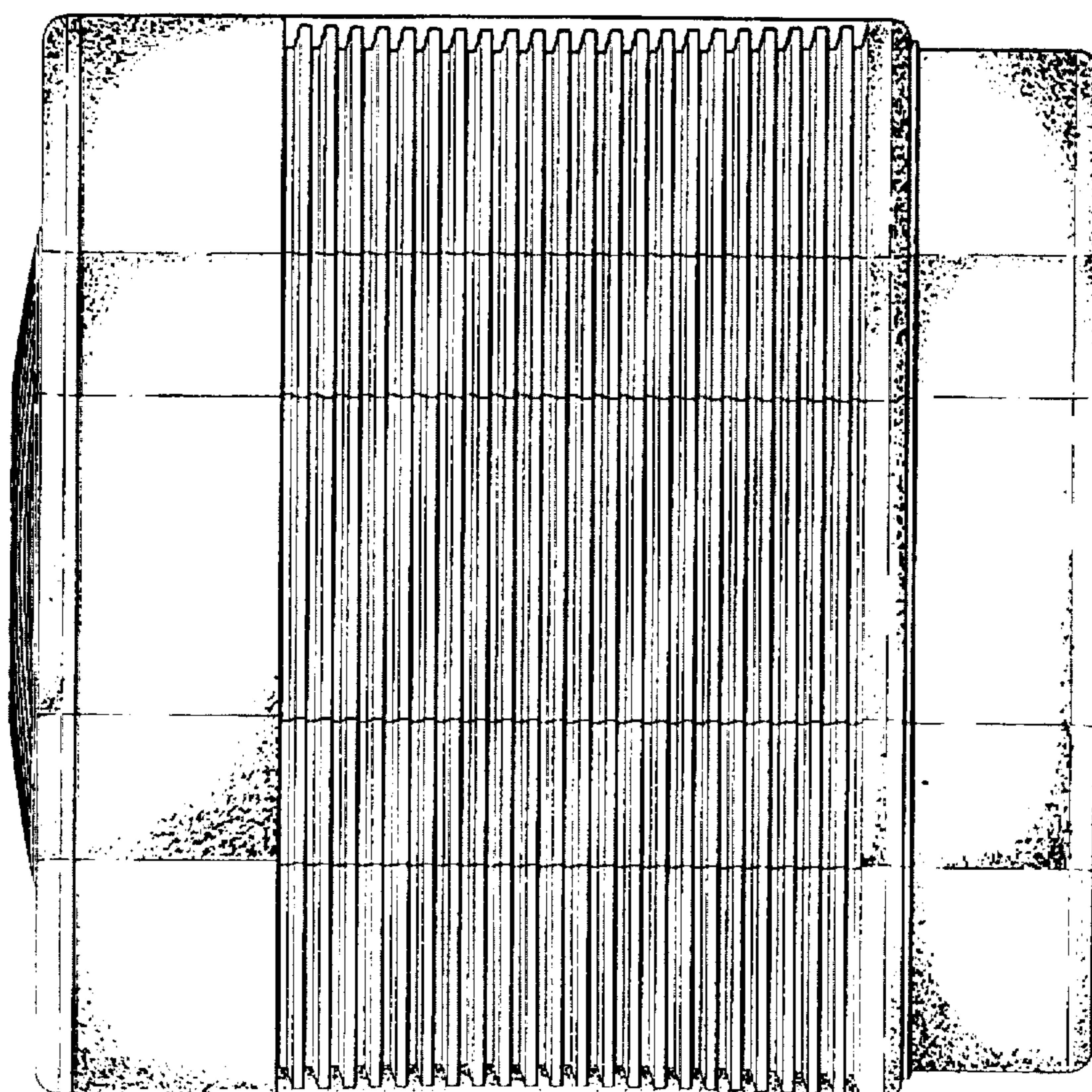


FIG 3

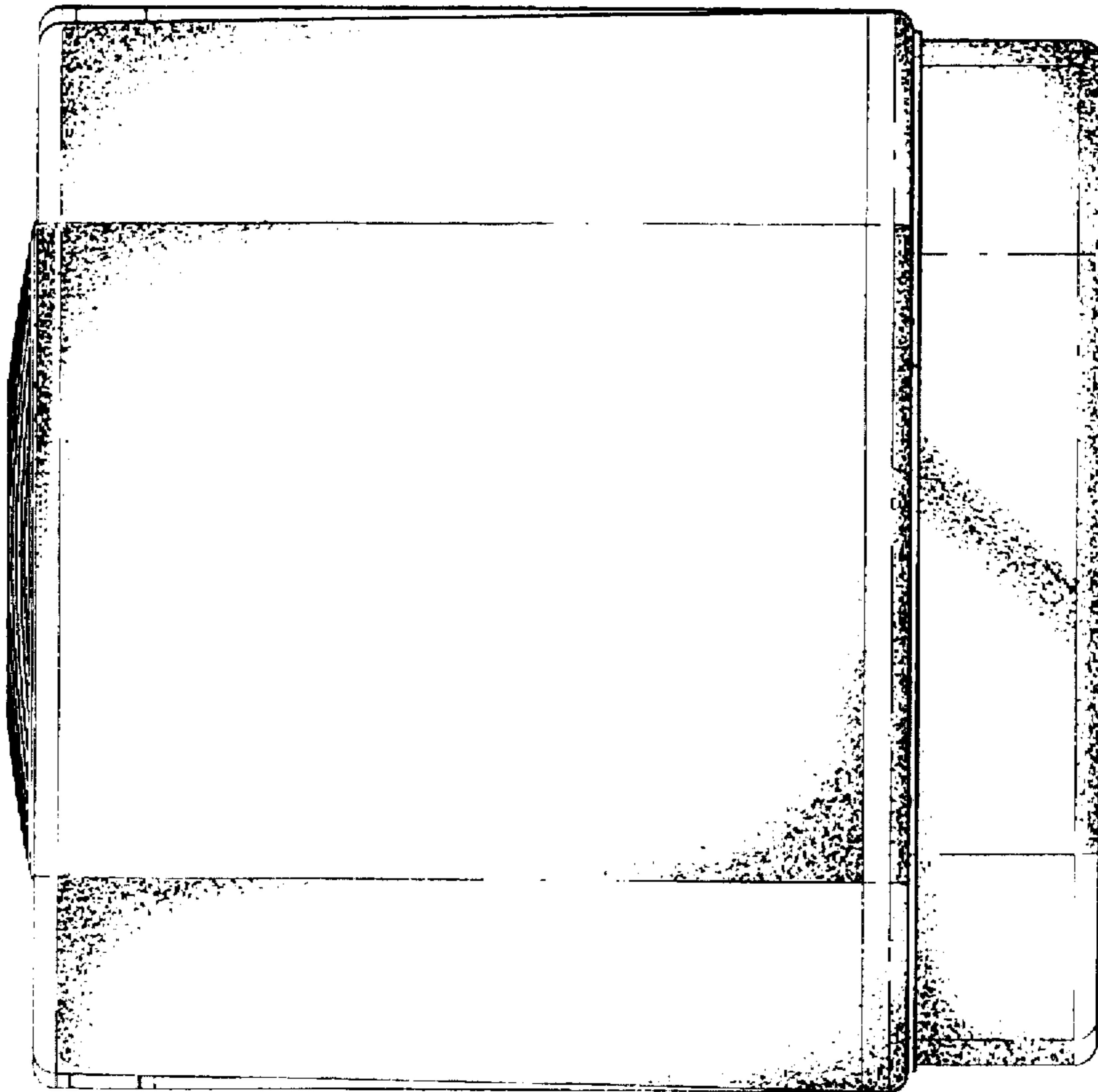


FIG 4

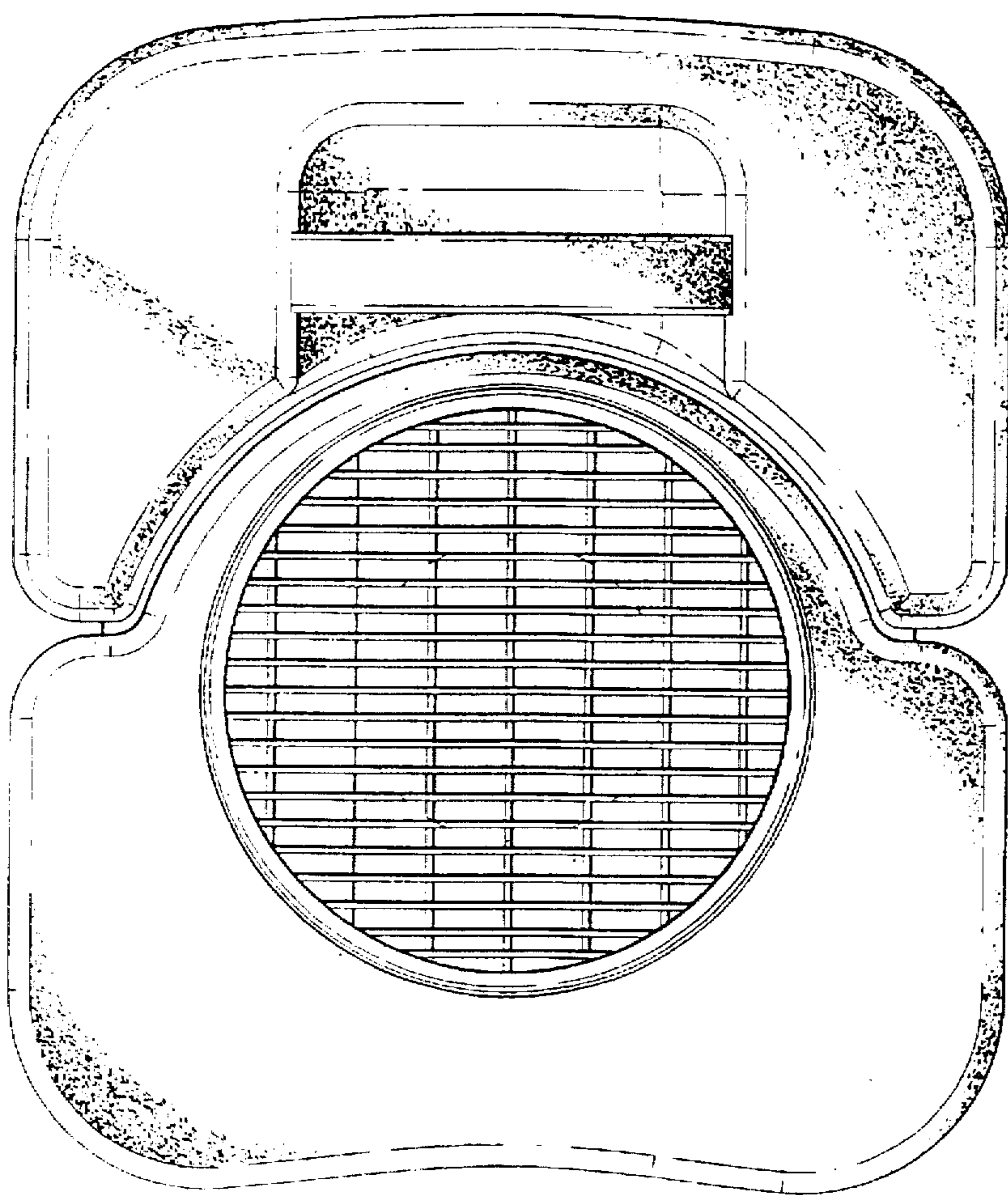


FIG 5

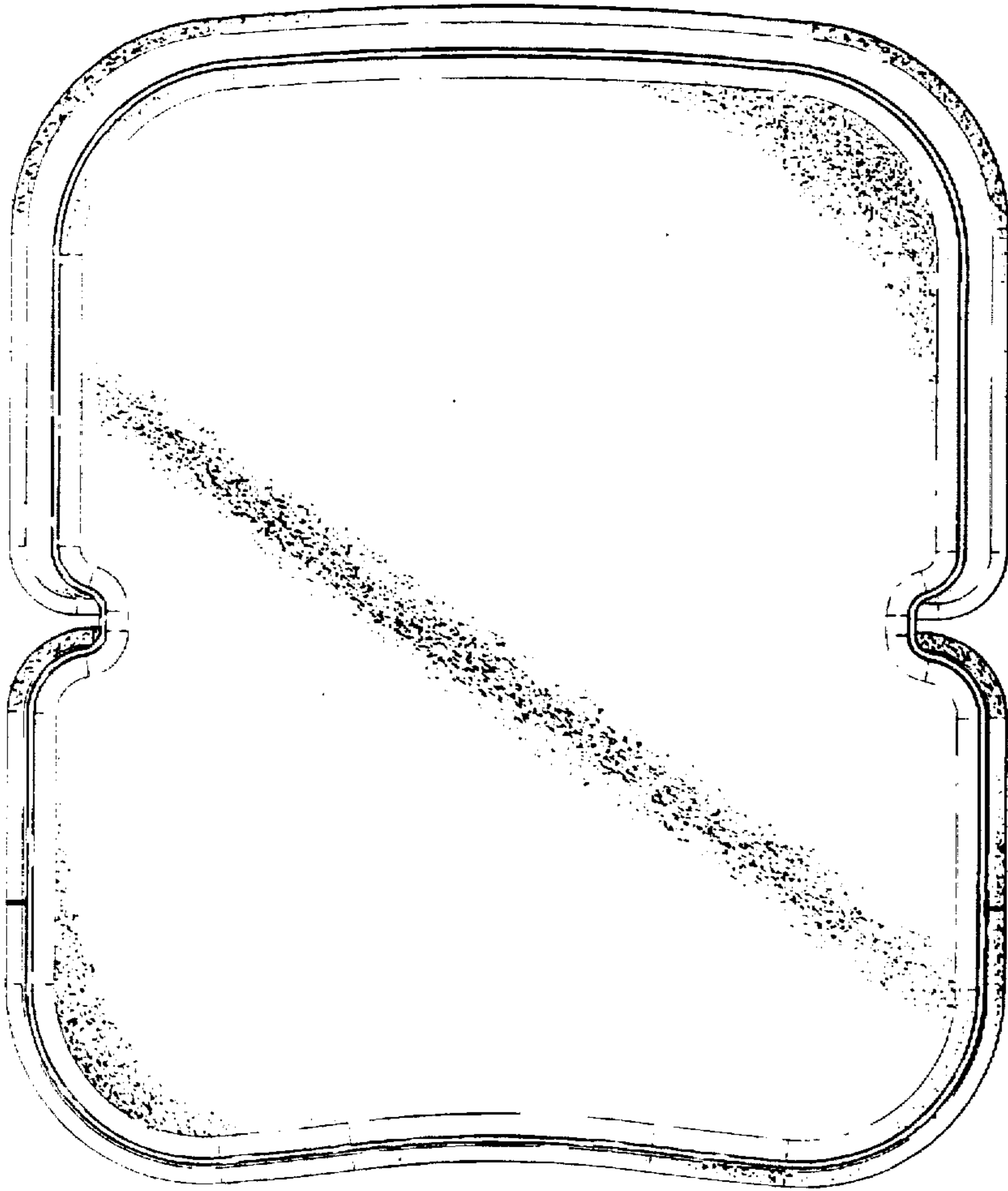


FIG 6