



US00D397192S

United States Patent [19]

Chiu et al.

[11] Patent Number: **Des. 397,192**

[45] Date of Patent: ****Aug. 18, 1998**

[54] **PORTABLE ELECTRIC FAN-HEATER**

2,694,136 11/1954 Smith 416/95

[75] Inventors: **Bernard Chiu**, Wellesley, Mass.;
Jui-Shang Wang, Taipei, Taiwan

Primary Examiner—Lisa Lichtenstein
Attorney, Agent, or Firm—John E. Toupal

[73] Assignee: **Honeywell Consumer Products, Inc.**,
Southborough, Mass.

[57] **CLAIM**

[**] Term: **14 Years**

The ornamental design for a portable electric fan-heater, as shown.

[21] Appl. No.: **36,772**

DESCRIPTION

[22] Filed: **Mar. 27, 1995**

[51] LOC (6) Cl. **23-03**

[52] U.S. Cl. **D23/328; D23/332; D23/336**

[58] Field of Search **D23/370, 382,**
D23/381, 328, 335, 337, 336, 411, 412,
332; 248/676; 392/365-369; 416/246, 247,
95

FIG. 1 is a front perspective view of a portable electric fan-heater;

FIG. 2 is a rear elevation view thereof;

FIG. 3 is a right side elevational view thereof;

FIG. 4 is a left side elevational view thereof;

FIG. 5 is a top plan view thereof; and,

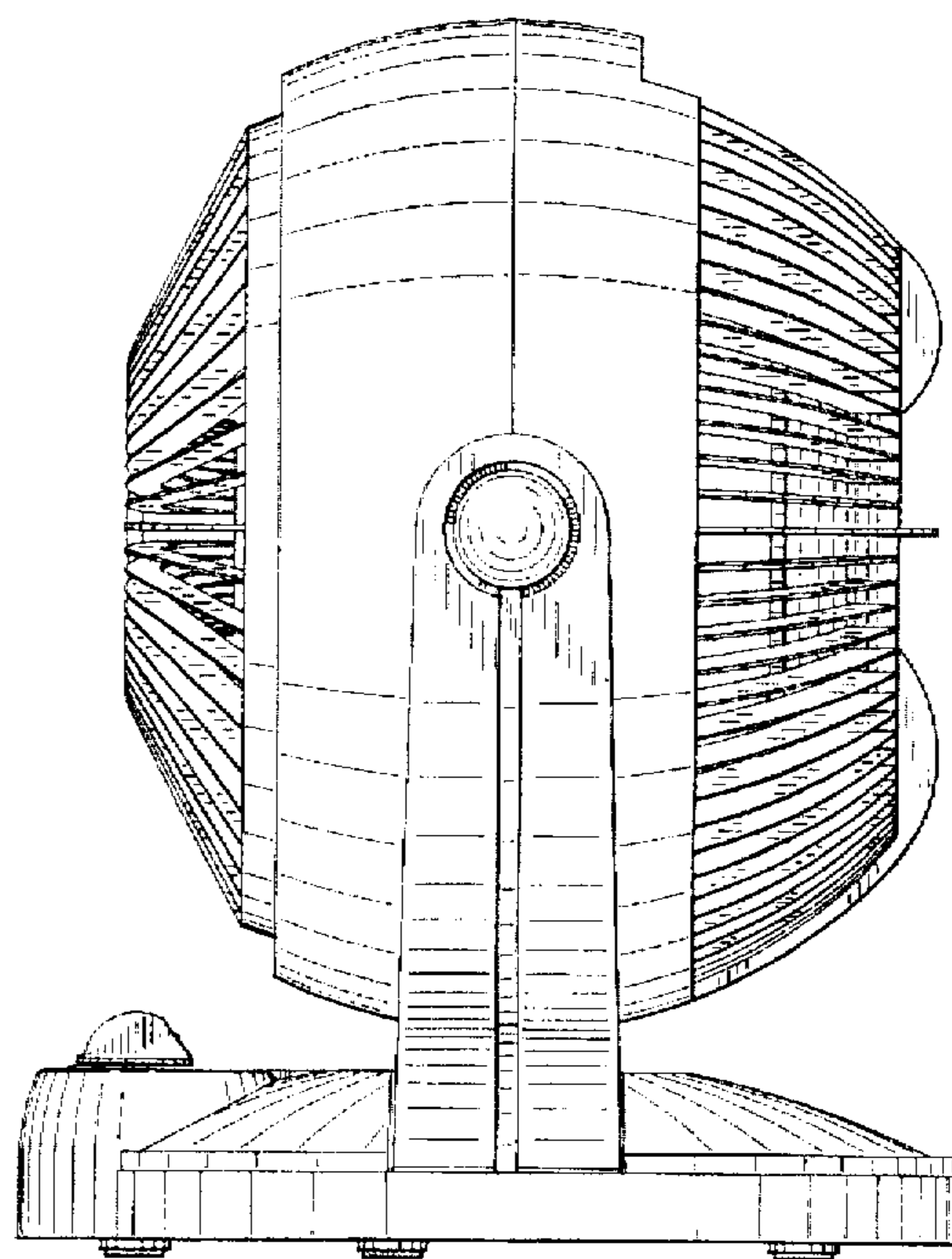
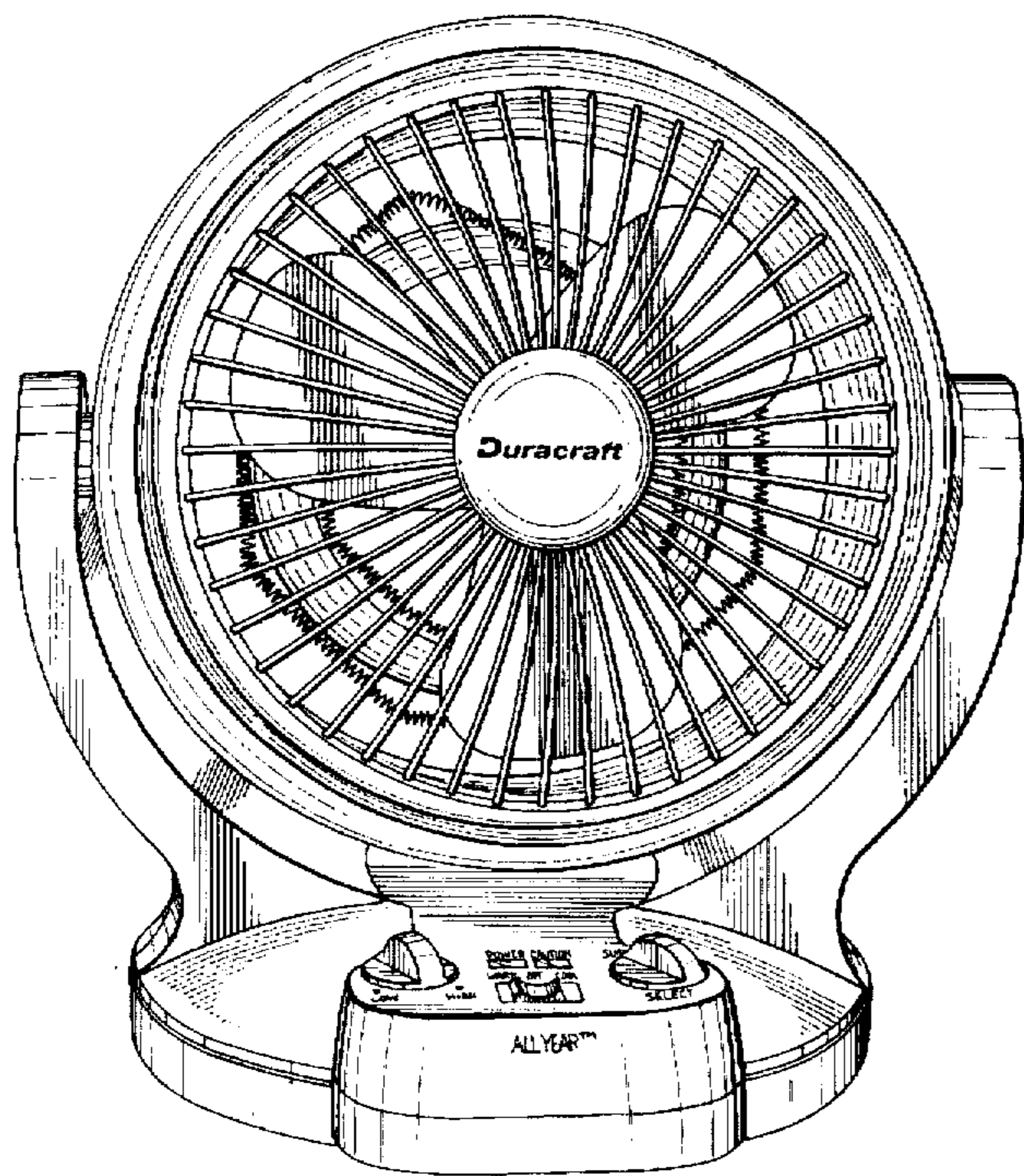
FIG. 6 is a bottom plan view thereof.

[56] References Cited

U.S. PATENT DOCUMENTS

D. 359,116 6/1995 Marvin et al. D23/332

1 Claim, 6 Drawing Sheets



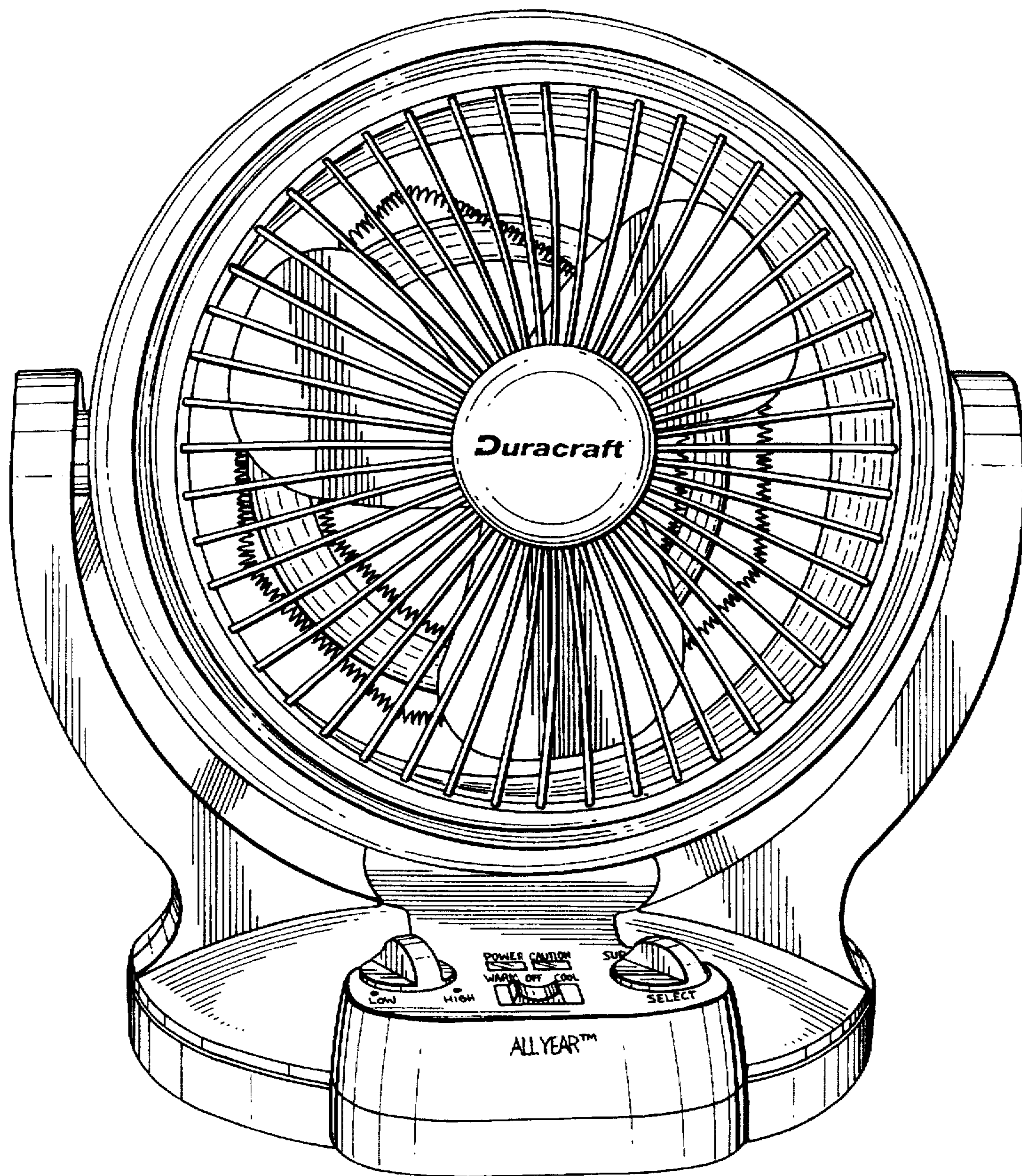


FIG. 1

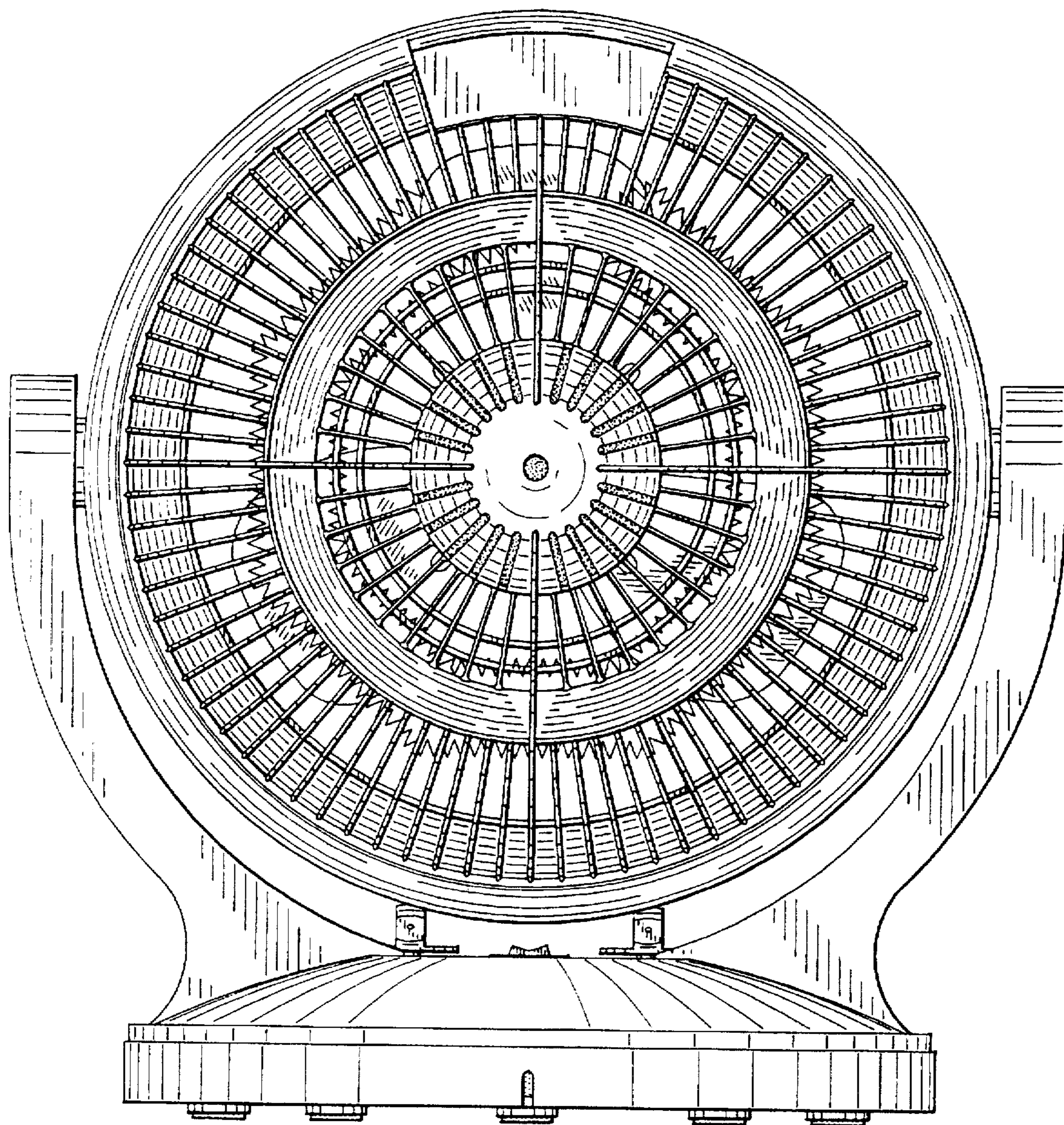


FIG. 2

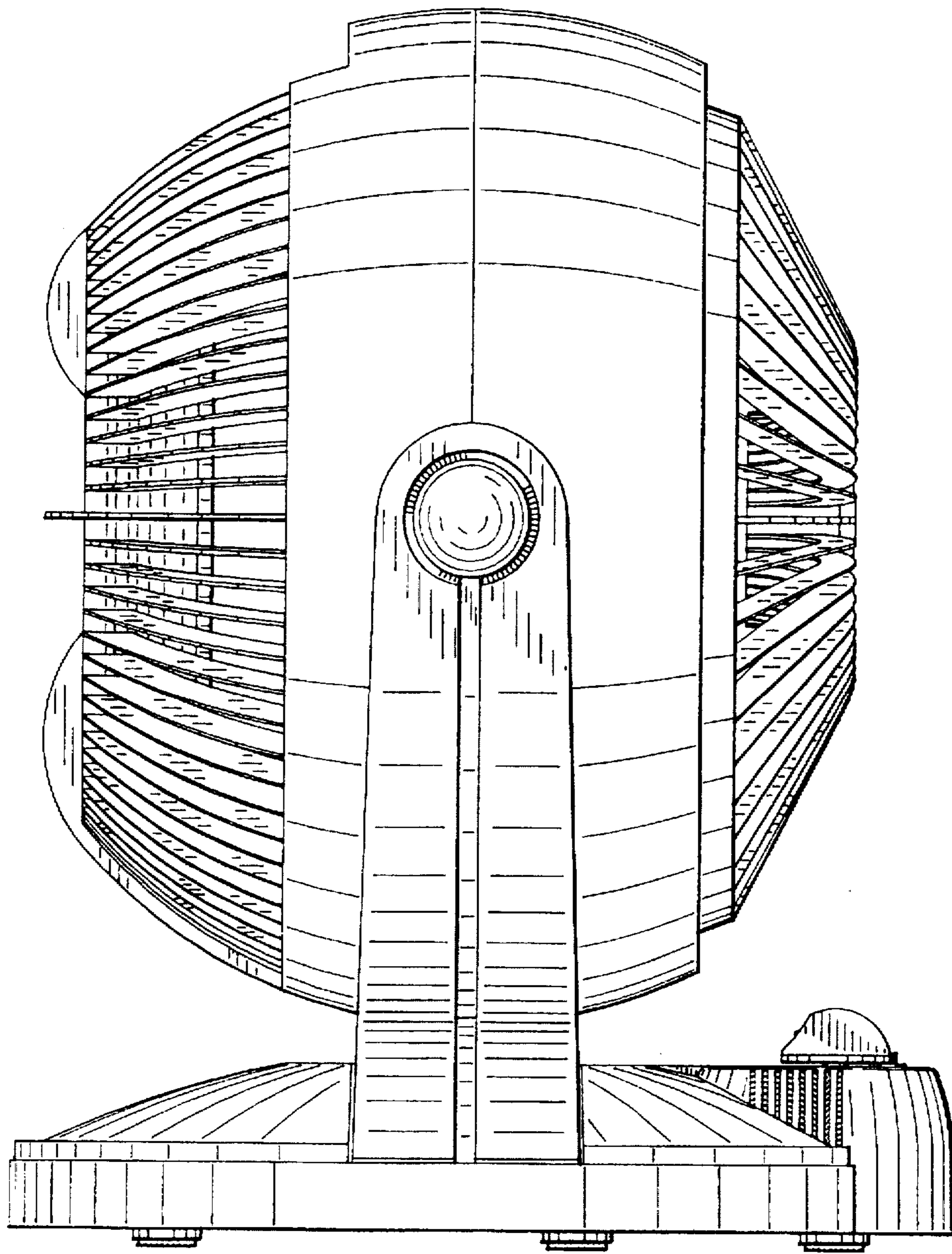


FIG. 3

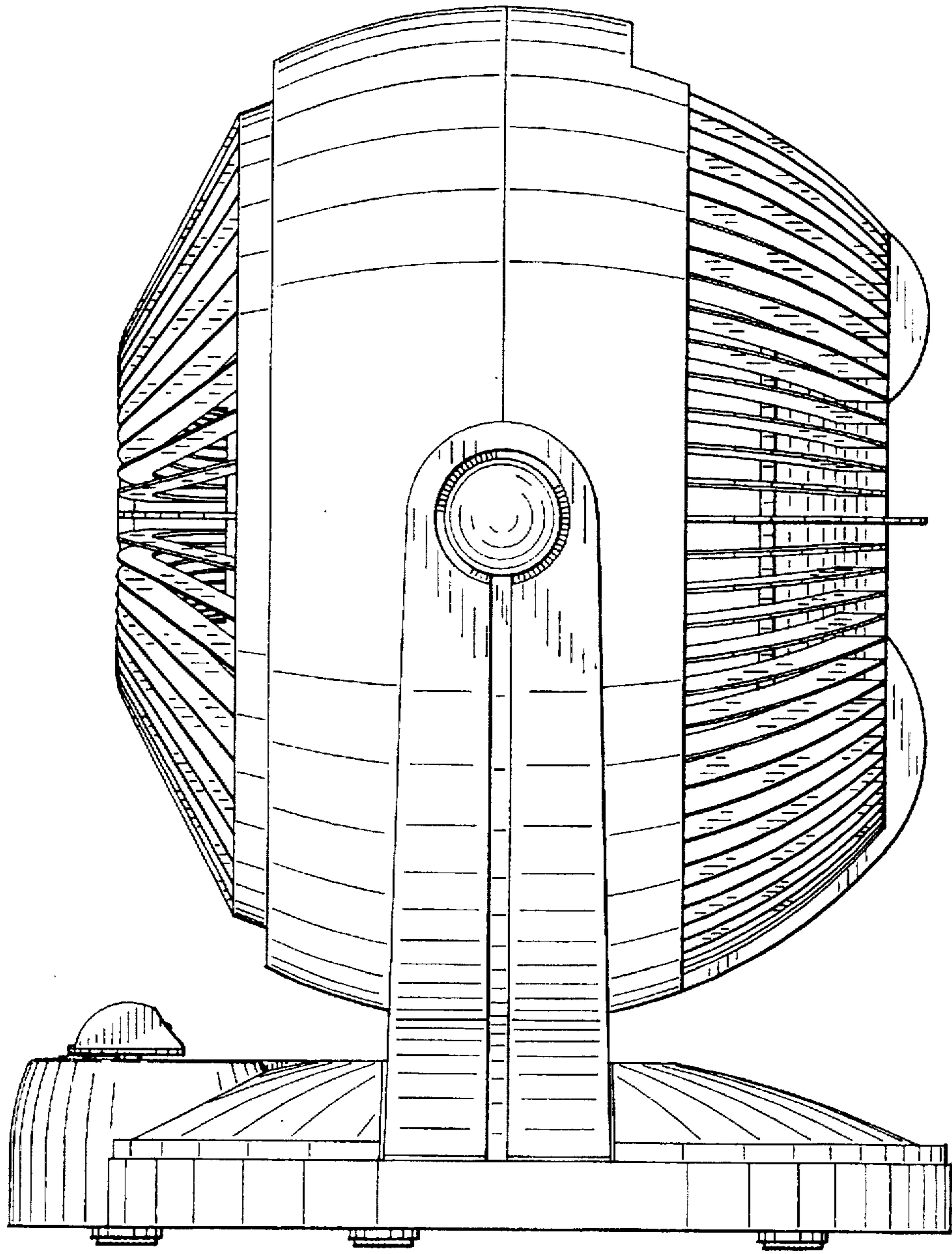


FIG. 4

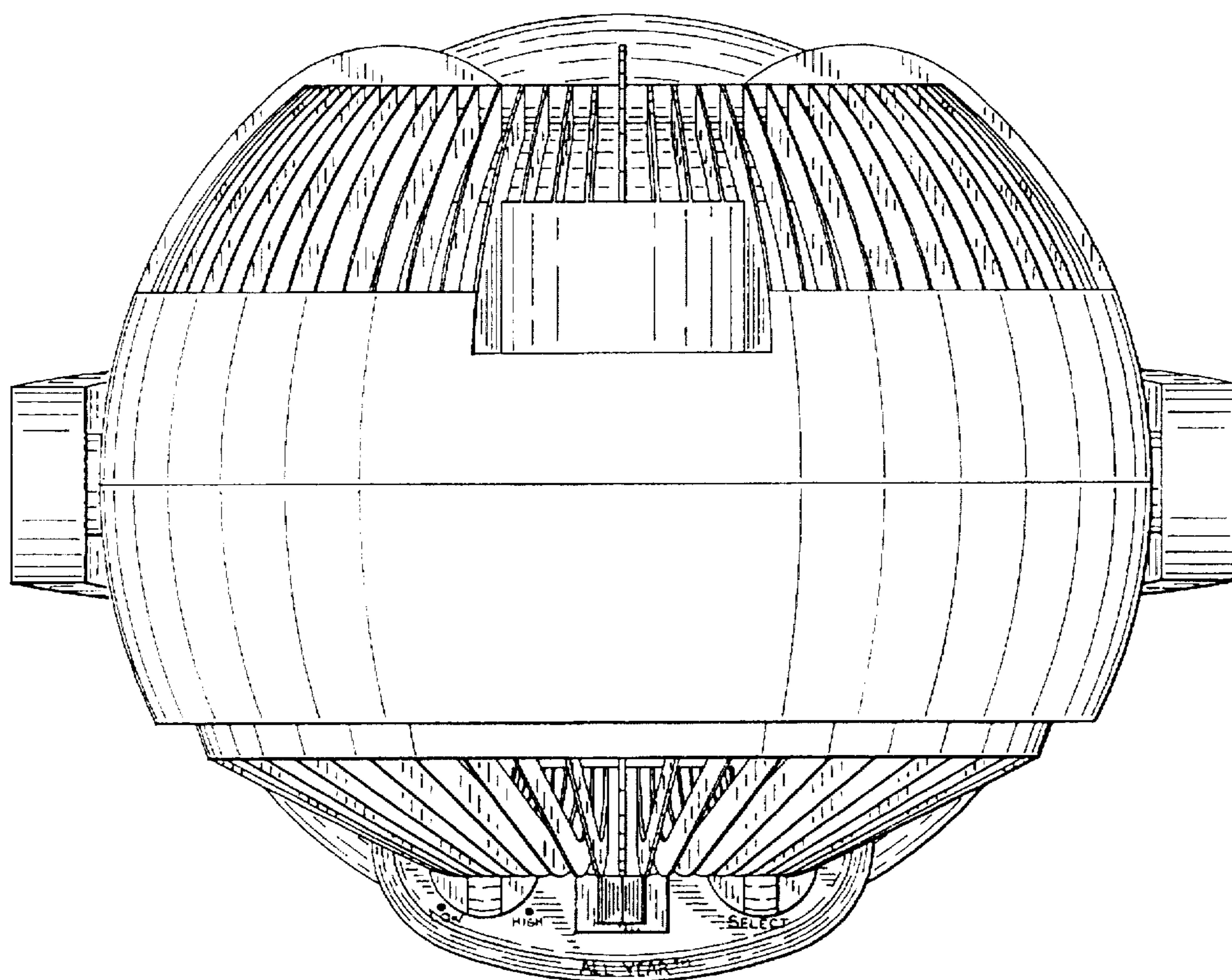


FIG. 5

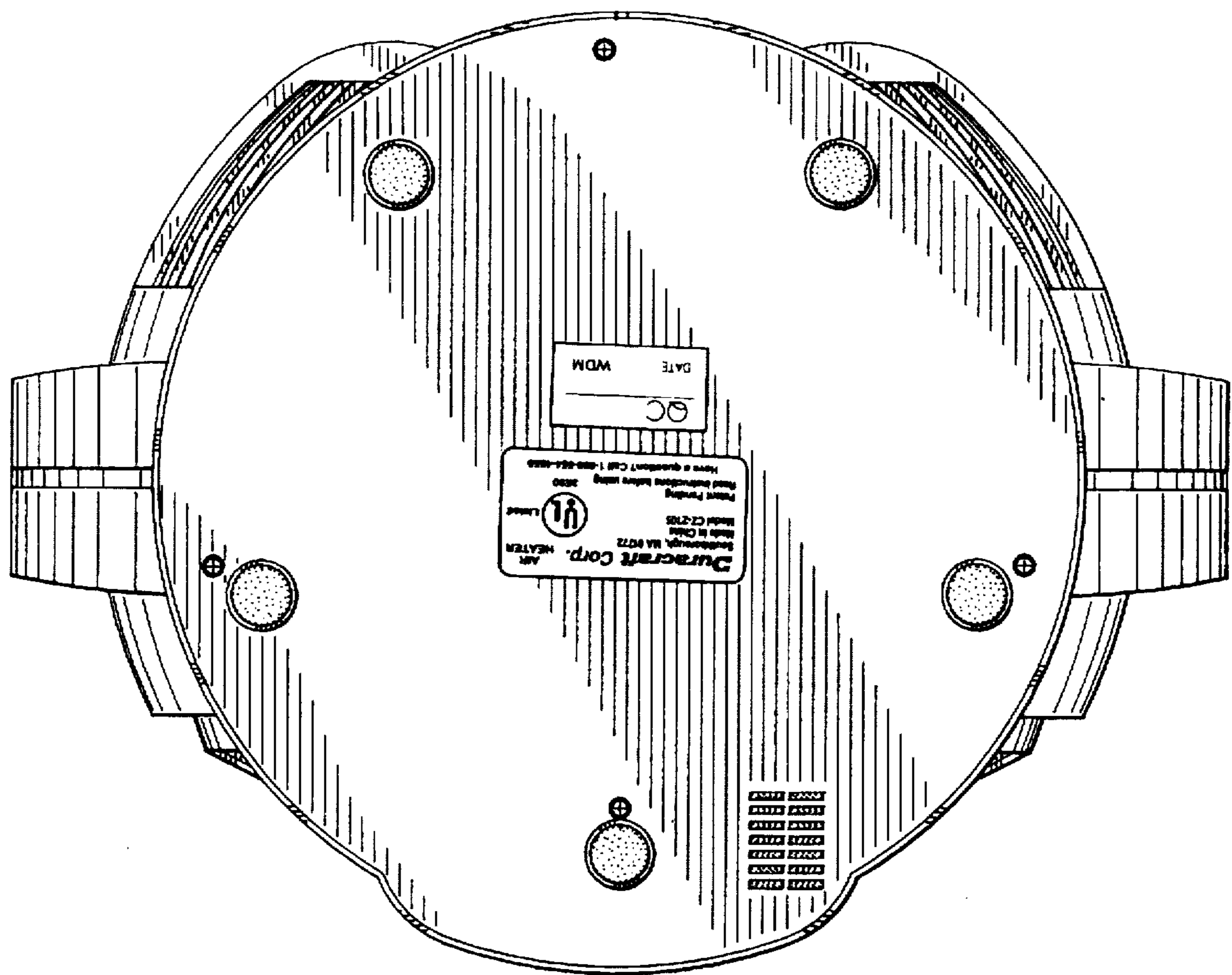


FIG. 6