



US00D397191S

# United States Patent [19]

Kralovec et al.

[11] Patent Number: **Des. 397,191**

[45] Date of Patent: **\*\*Aug. 18, 1998**

[54] **POOL AND SPA WATER HEATER**

[75] Inventors: **William M. Kralovec**, Delavan, Wis.;  
**Paul T. King**, Chicago, Ill.

[73] Assignee: **Sta-Rite Industries, Inc.**, Delavan, Wis.

[\*\*] Term: **14 Years**

[21] Appl. No.: **62,318**

[22] Filed: **Nov. 13, 1996**

[51] LOC (6) Cl. .... **23-03**

[52] U.S. Cl. .... **D23/316**

[58] Field of Search ..... **D23/316; 4/493,**  
**4/541.1-541.5**

[56] **References Cited**

**U.S. PATENT DOCUMENTS**

D. 286,320	10/1986	Kingston	.....	D23/316
3,286,712	11/1966	Roden	.....	4/541.4
4,924,069	5/1990	Giordani	.....	4/493

**OTHER PUBLICATIONS**

Triton Millivolt Pool/Spa Heater MINIMAX Brochure by Pac-Fab, Inc., Sanford, NC, Nov. 30, 1994.

Raypac VERSA Spa Heater Family Brochure by Raypac, Inc., Westlake Village, CA, Oct. 1, 1994.

Raypac RP2100 Pool Heater Brochure What's the Smark Idea . . . Spa Heater? by Raypac, Inc., Westlake, CA, Dec. 1, 1993.

Teledyne Laars Model ESG Pool and Spa Heaters Sales Brochure by Teledyne Laars, Moorpark, CA, Apr., 1993.

Hayward Meet your new Flame Brochure by Hayward of Pomona, CA (Undated Brochure).

*Primary Examiner*—Lisa Lichtenstein

*Attorney, Agent, or Firm*—Jansson, Shupe, Bridge & Munger, Ltd.

[57] **CLAIM**

The ornamental design for a pool and spa water heater, as shown.

**DESCRIPTION**

FIG. 1 is a front elevation view of the pool and spa water heater;

FIG. 2 is a right side elevation view of the pool and spa water heater;

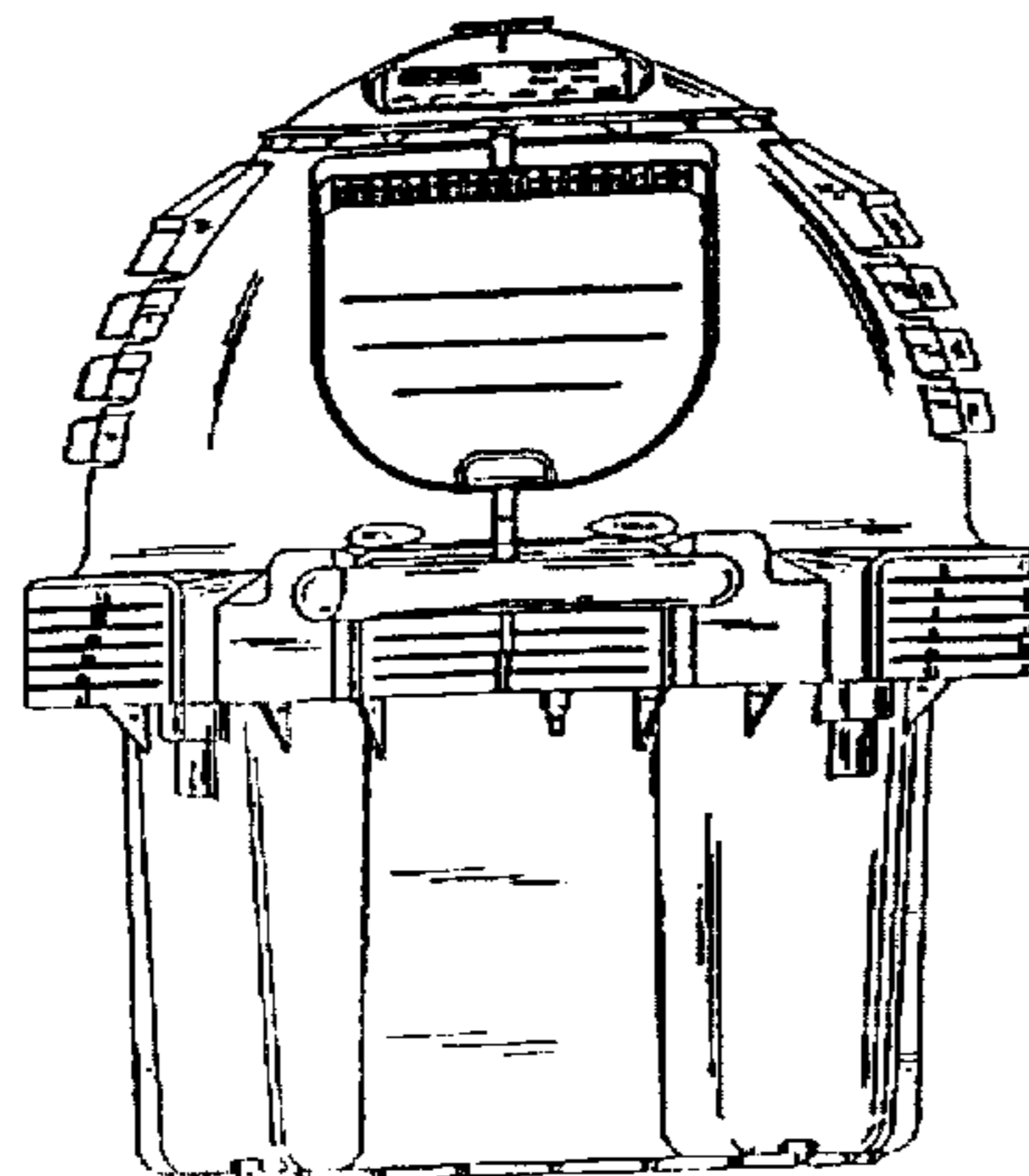
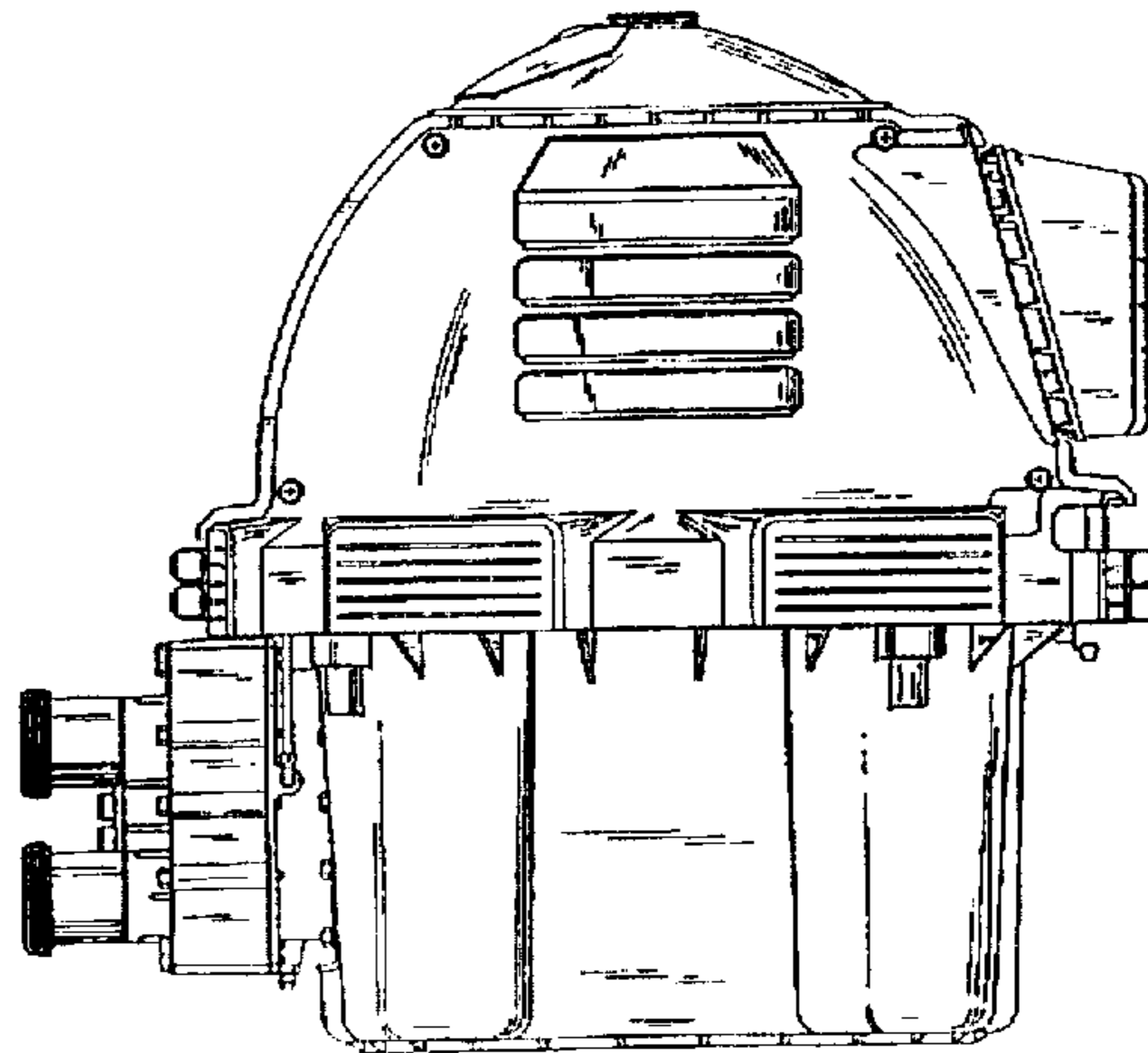
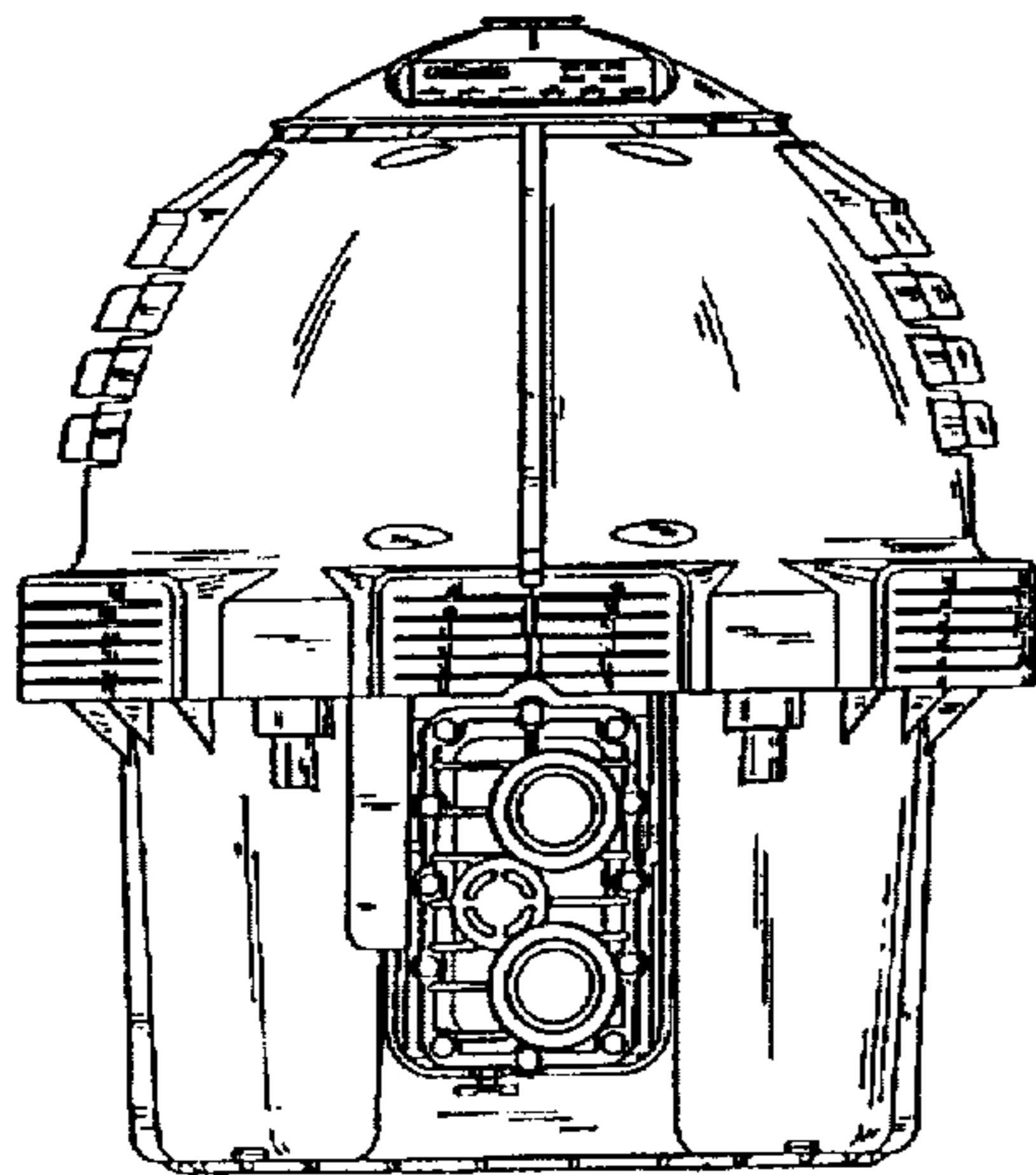
FIG. 3 is a rear elevation view of the pool and spa water heater;

FIG. 4 is a left side elevation view of the pool and spa water heater;

FIG. 5 is a top plan view of the pool and spa water heater; and,

FIG. 6 is a bottom plan view of the pool and spa water heater.

**1 Claim, 3 Drawing Sheets**



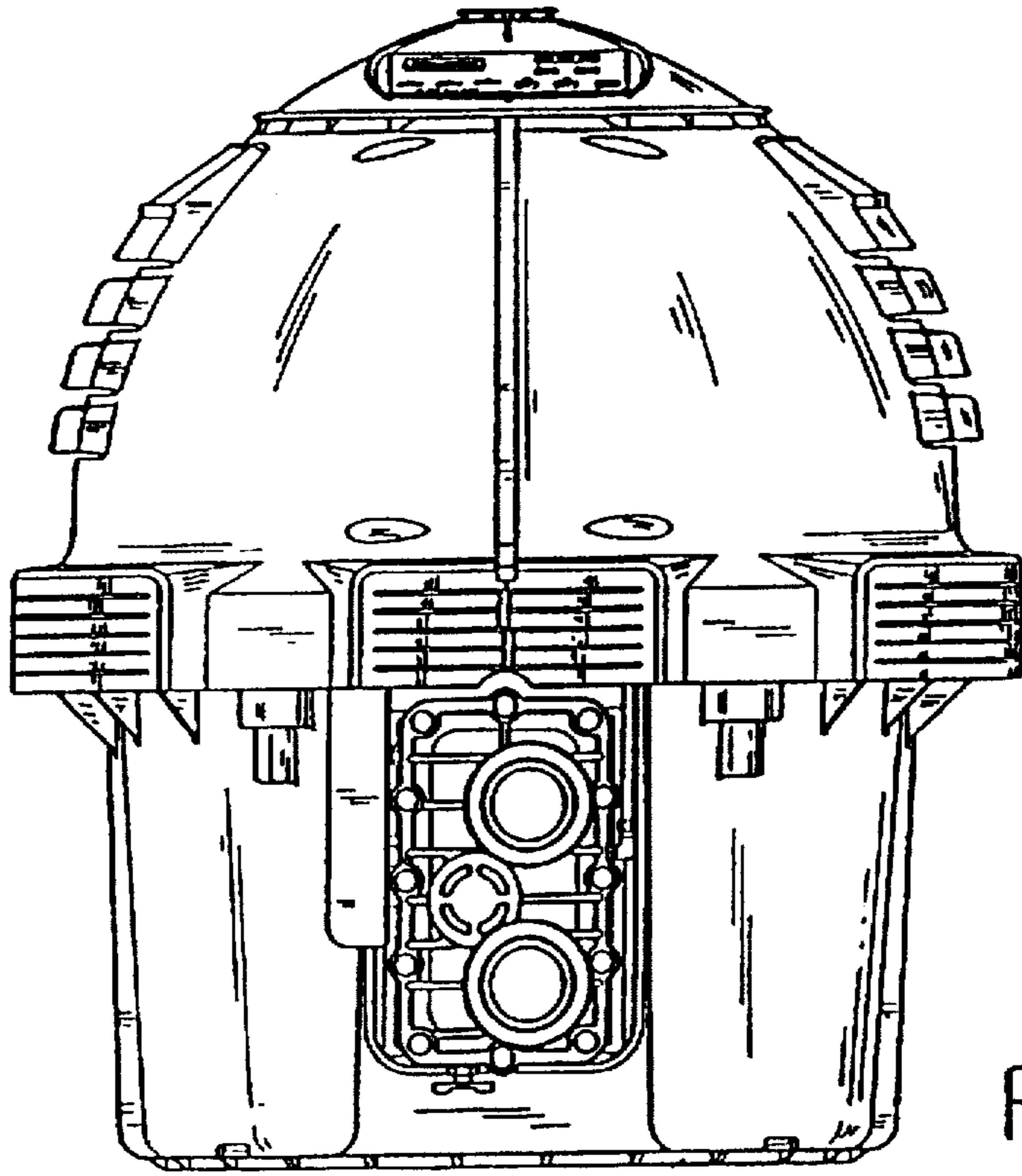


FIG. 1

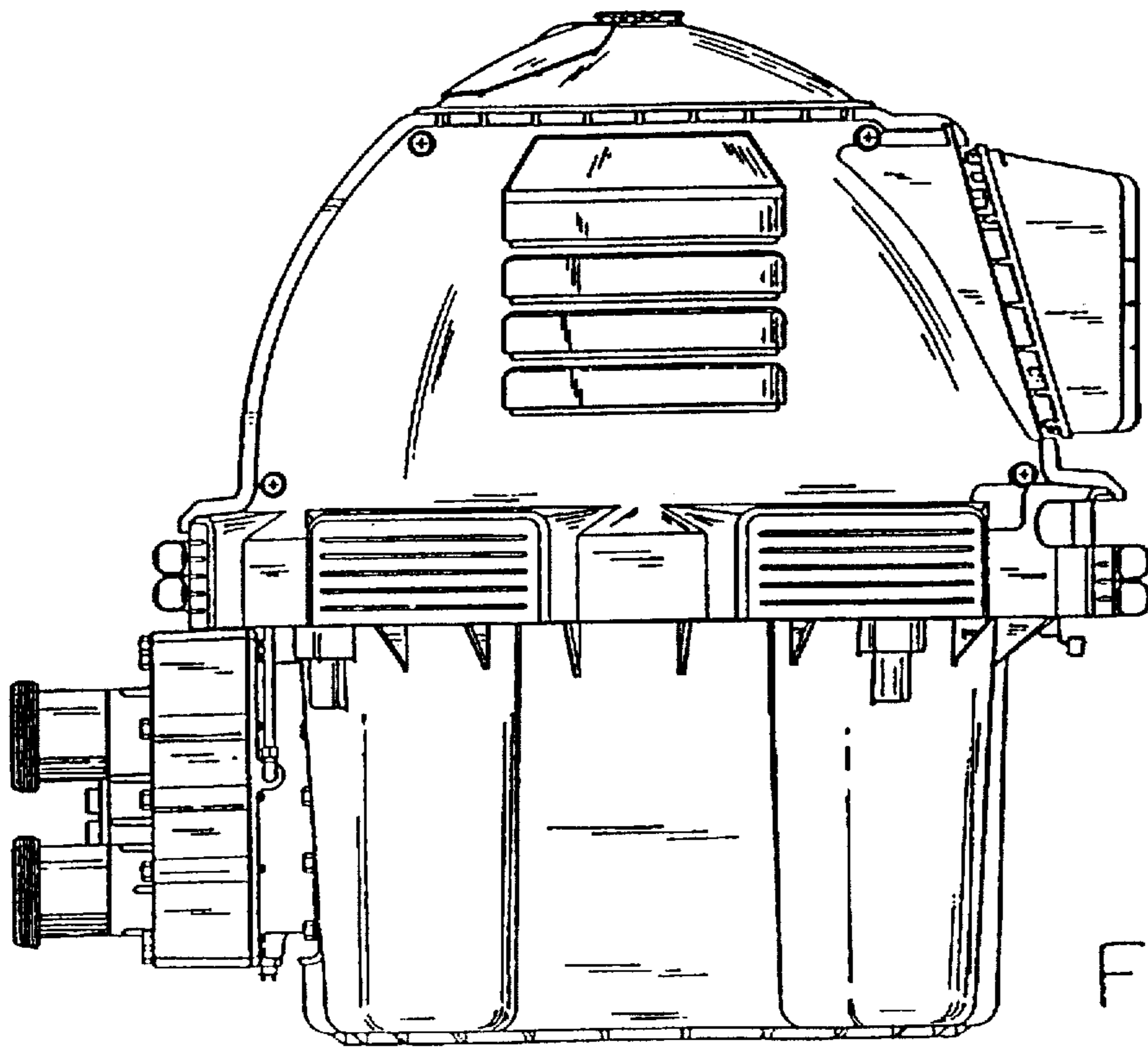


FIG. 2

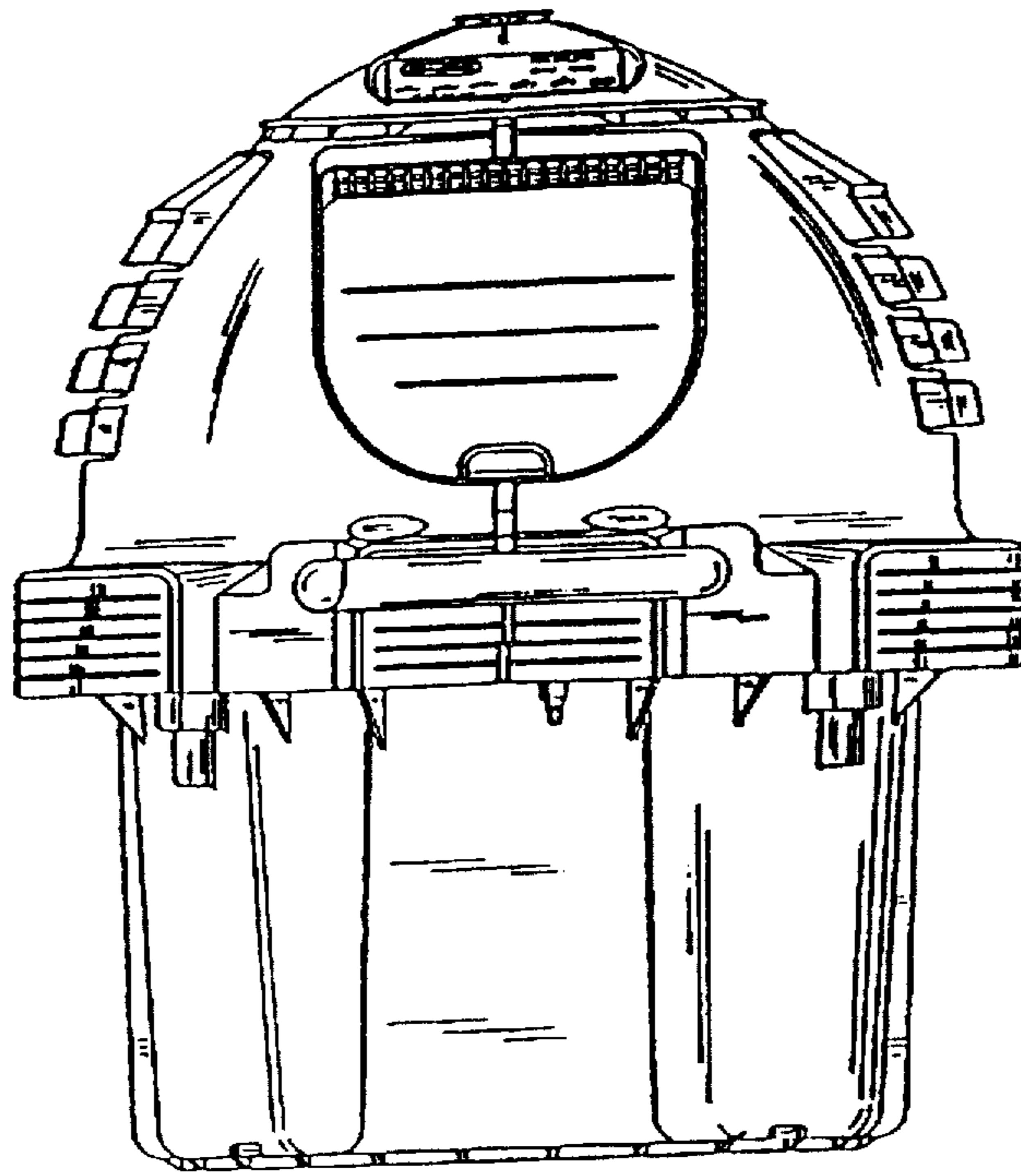


FIG. 3

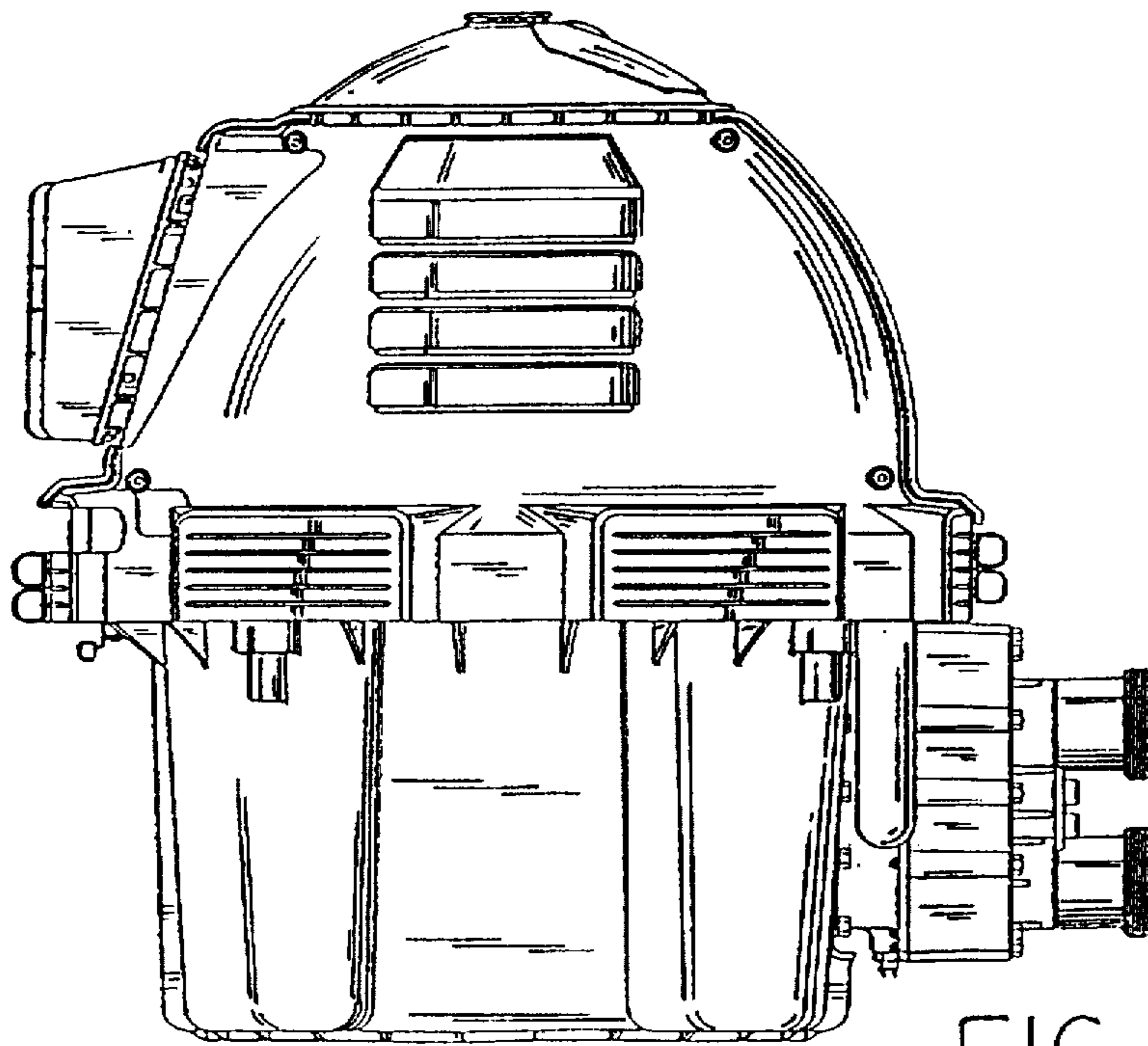


FIG. 4

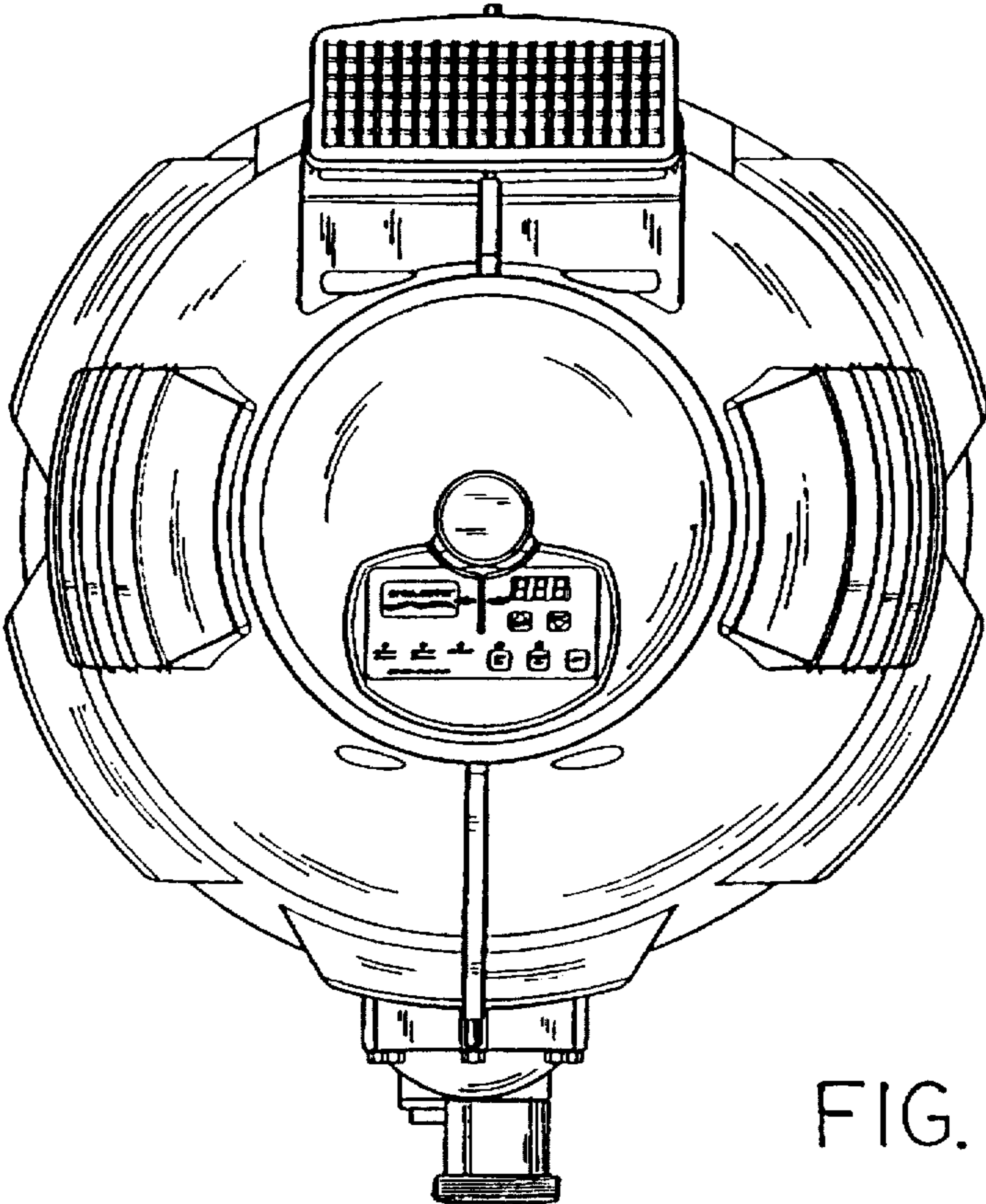


FIG. 5

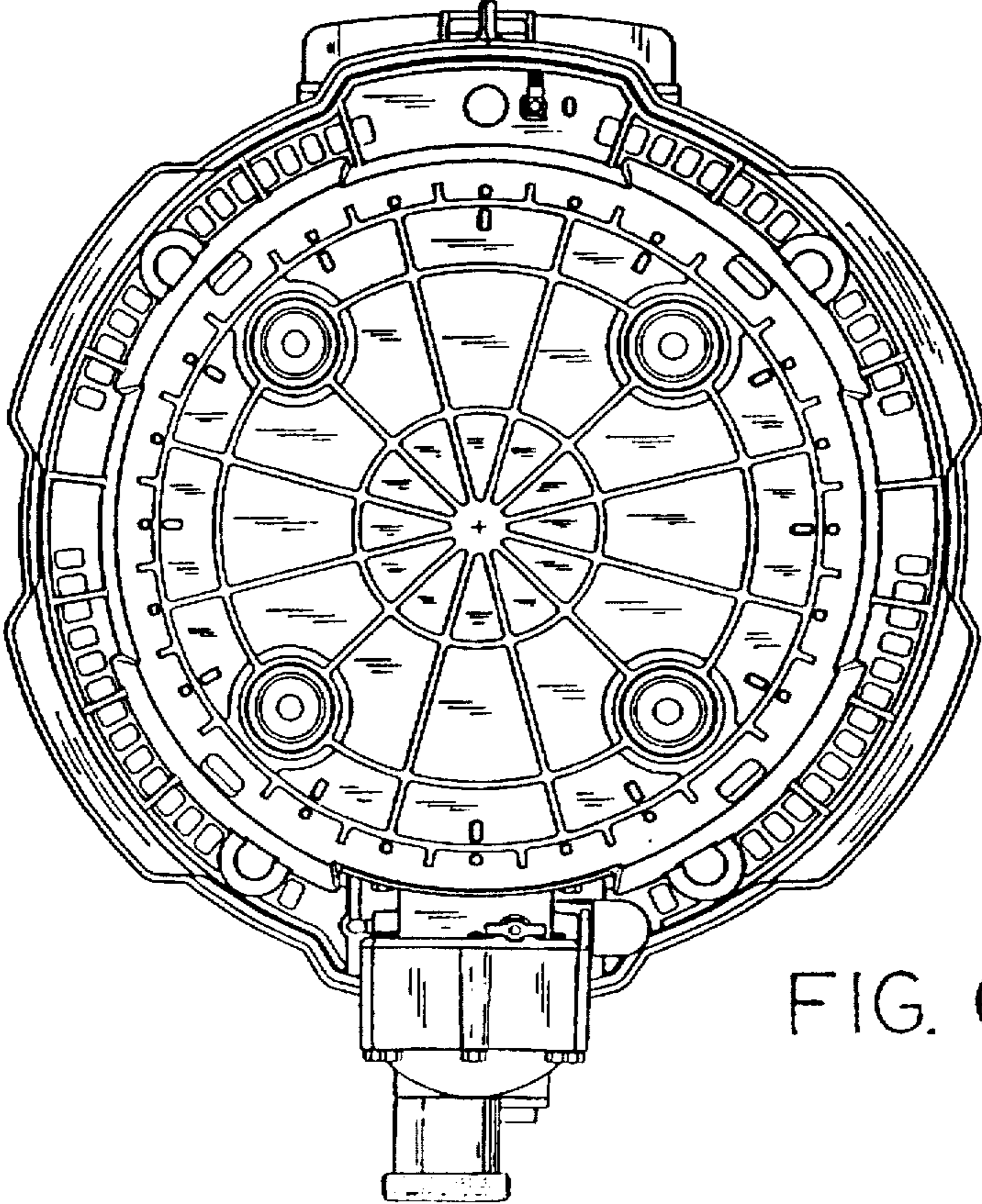


FIG. 6