

US00D397174S

**United States Patent** [19]  
**Sandoval**

[11] **Patent Number: Des. 397,174**

[45] **Date of Patent: \*\*Aug. 18, 1998**

[54] **WEIGHT LIFTING BAR**

4,531,729 7/1985 Winkle ..... 482/106

[76] **Inventor: Martin L. Sandoval**, 22213 Ibex Ave.,  
Hawaiian Gardens, Calif. 90716

*Primary Examiner*—Philip S. Hyder  
*Attorney, Agent, or Firm*—Howard A. Kenyon

[\*\*] **Term: 14 Years**

[57] **CLAIM**

[21] **Appl. No.: 76,133**

The ornamental design for a weight lifting bar, as shown and described.

[22] **Filed: Aug. 25, 1997**

**DESCRIPTION**

[51] **LOC (6) Cl. .... 21-02**

[52] **U.S. Cl. .... D21/197; D21/198**

[58] **Field of Search .... D21/191, 196,  
D21/197, 198; 482/106, 107, 108**

FIG. 1 is a front, top and right side perspective view showing my new design;

FIG. 2 is a right side view thereof, the left side being an inverted mirror image;

FIG. 3 is a top view thereof, the bottom view being a mirror image; and,

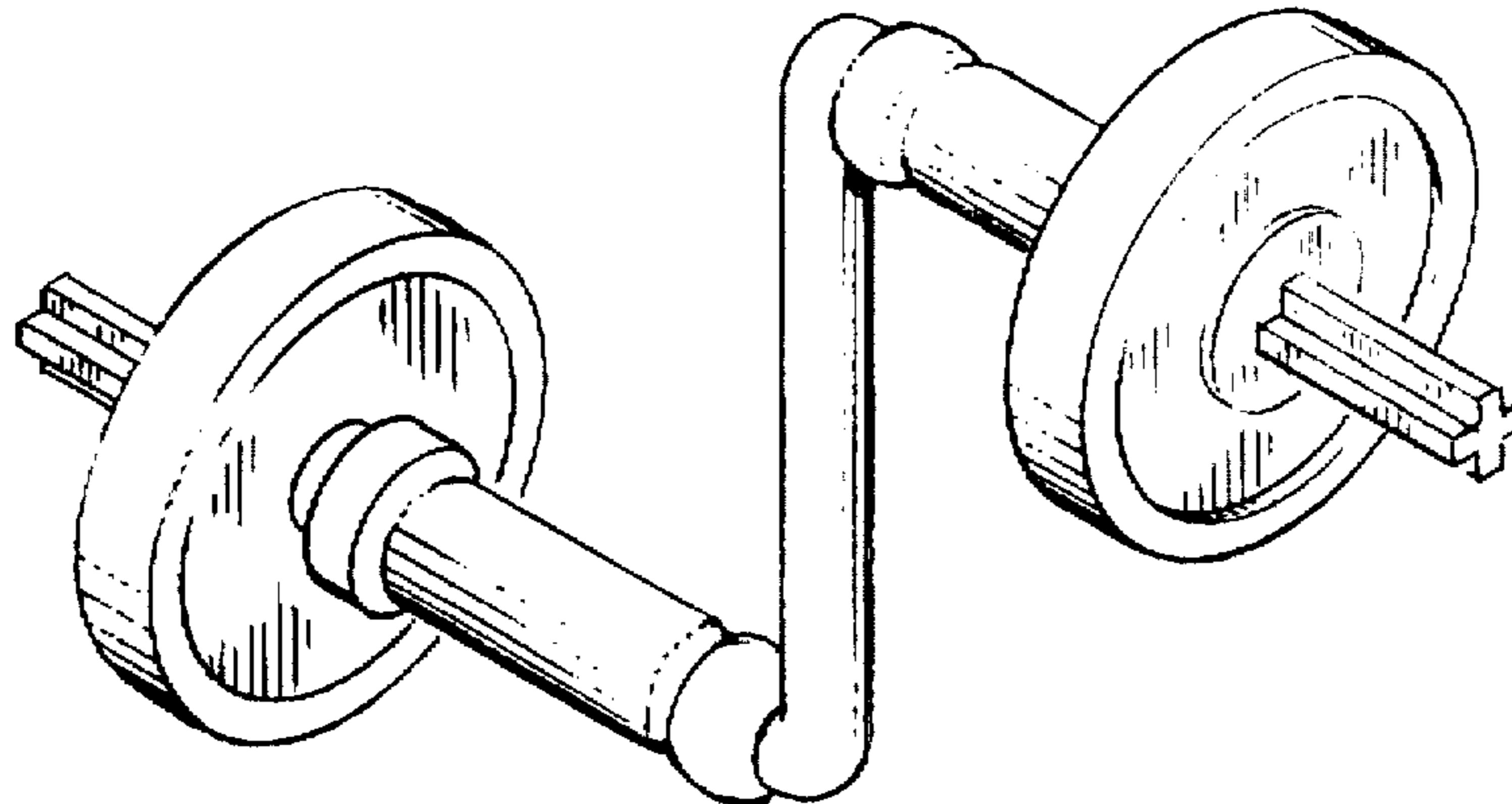
FIG. 4 is a front view thereof, the rear view being a mirror image.

[56] **References Cited**

**U.S. PATENT DOCUMENTS**

- D. 250,782 1/1979 Gibson ..... D21/198
- D. 306,886 3/1990 Skiek et al. .... D21/198
- 3,107,926 10/1963 Verge ..... 462/66

**1 Claim, 1 Drawing Sheet**



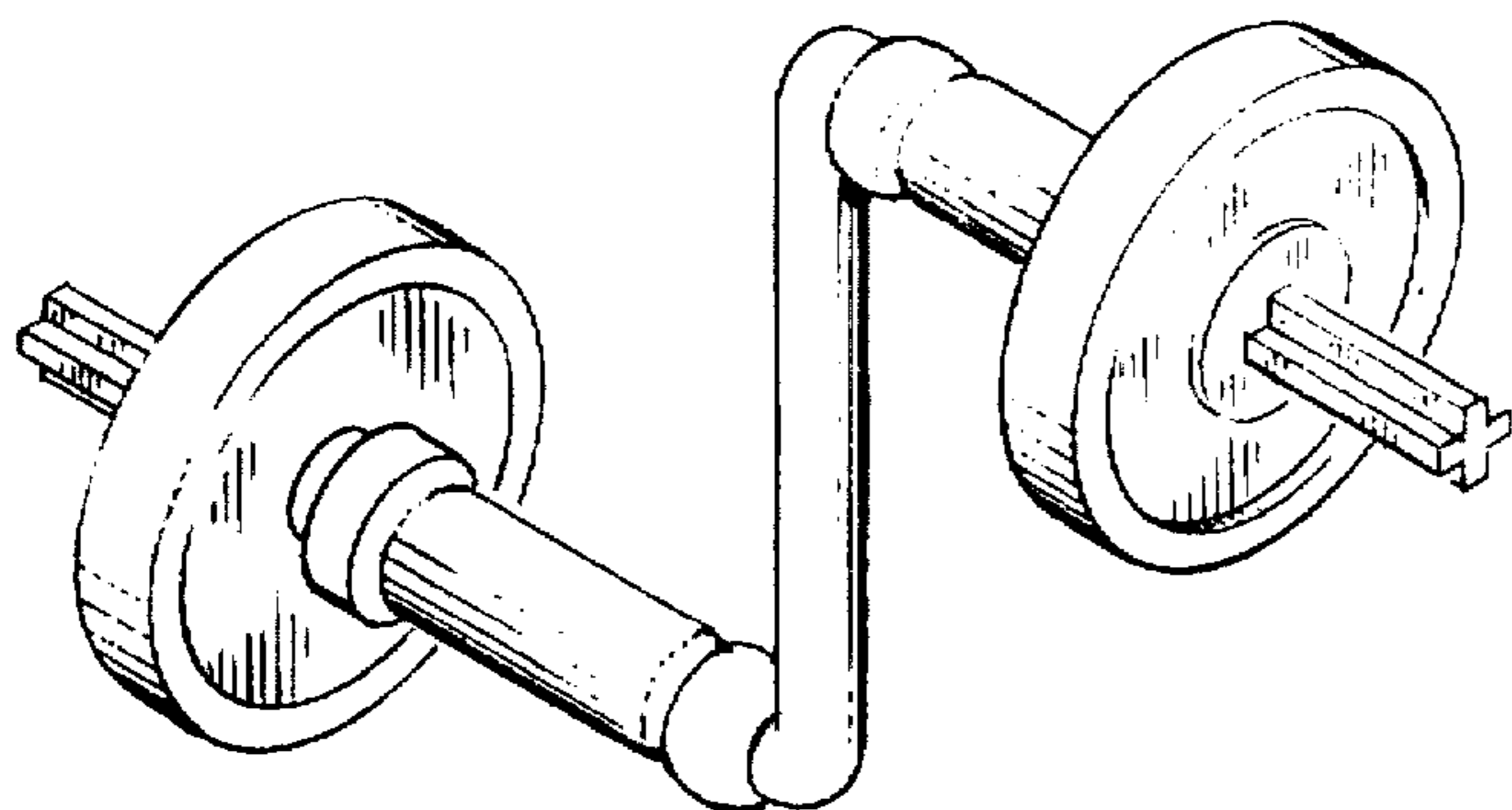


FIG. 1

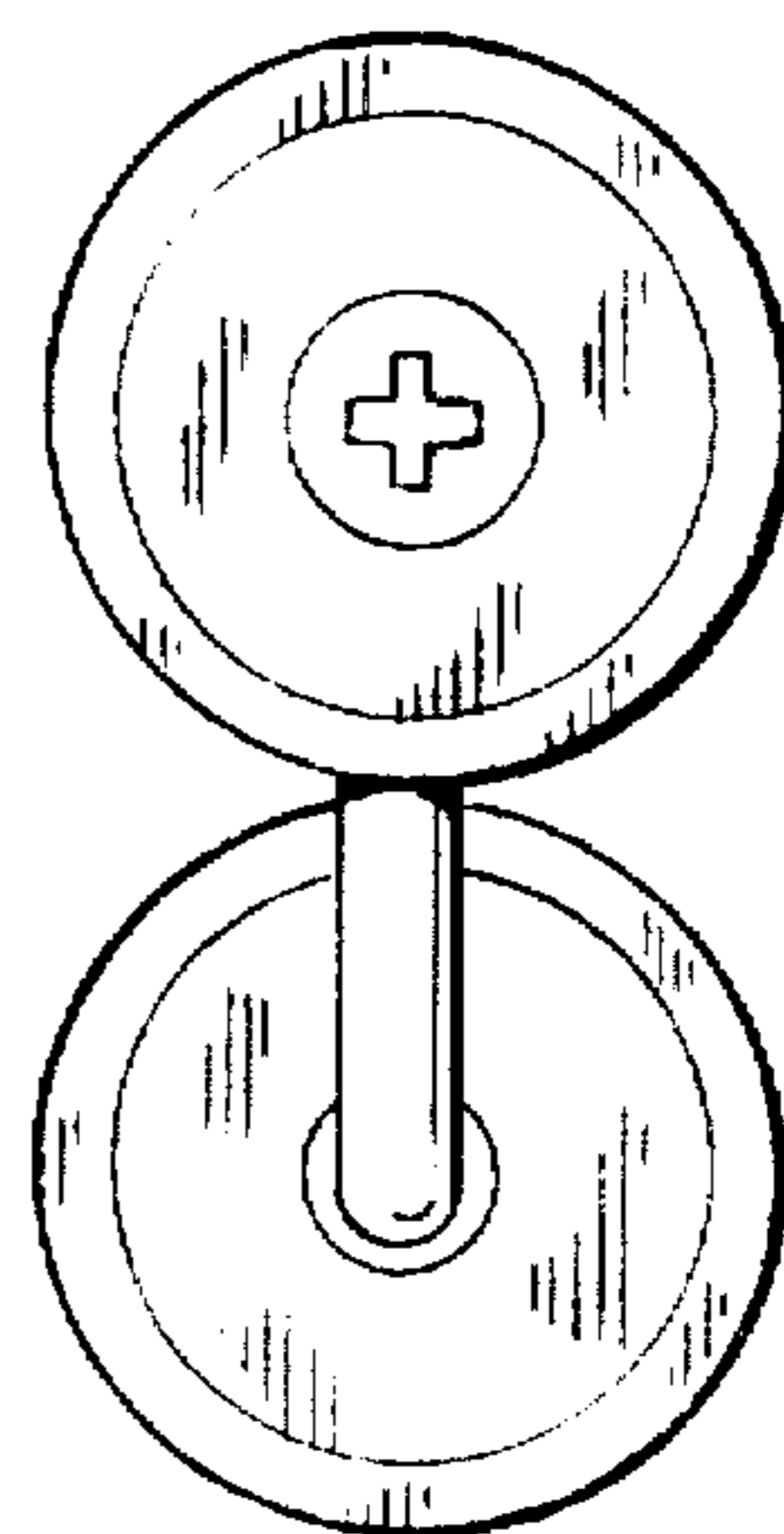


FIG. 2

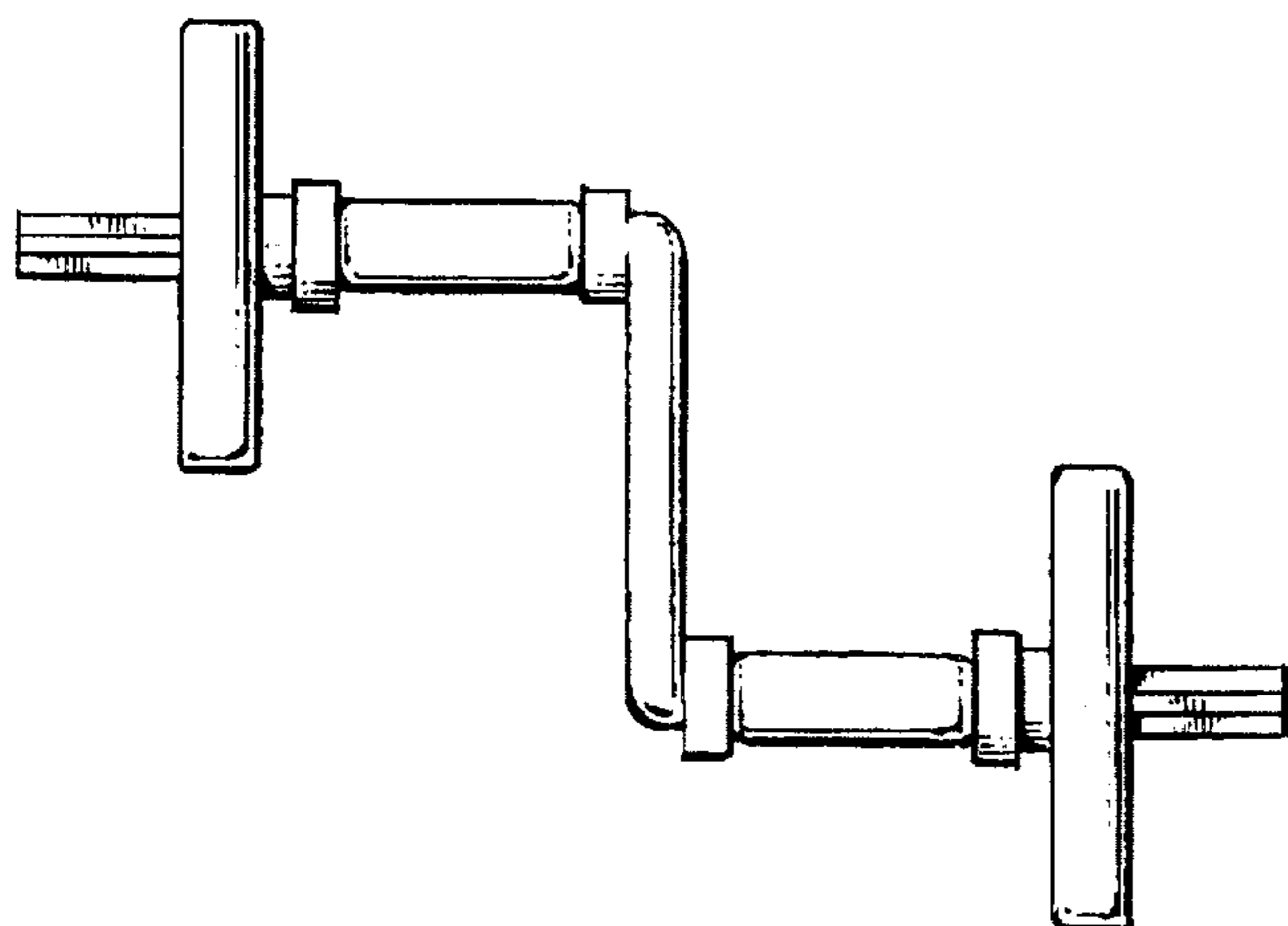


FIG. 3

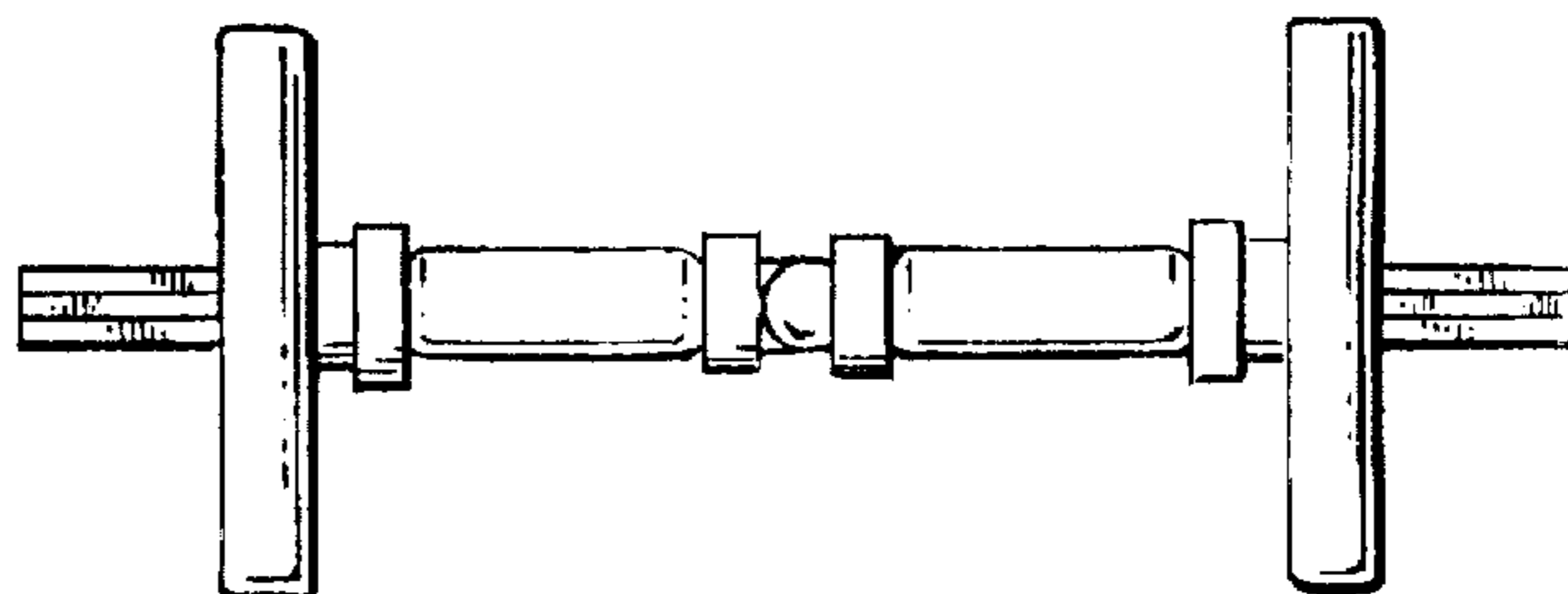


FIG. 4