

US00D397173S

United States Patent [19]
Edell

[11] **Patent Number:** **Des. 397,173**
[45] **Date of Patent:** ****Aug. 18, 1998**

[54] **FACIAL EXERCISER**

4,671,260 6/1987 Buckner 600/242

[75] **Inventor:** **Drew Edell**, Little Falls, N.J.

OTHER PUBLICATIONS

[73] **Assignee:** **CCA Industries, Inc.**, East Rutherford, N.J.

Dr. Leonard's Healthcare Catalog, p. 5, Face Toner, Mar. 1997.

[**] **Term:** **14 Years**

Primary Examiner—Philip S. Hyder
Attorney, Agent, or Firm—Fattibene and Fattibene; Arthur T. Fattibene; Paul A. Fattibene

[21] **Appl. No.:** **71,478**

[57] **CLAIM**

[22] **Filed:** **May 30, 1997**

The ornamental design for a facial exerciser, as shown and described.

[51] **LOC (6) Cl.** **21-02**

[52] **U.S. Cl.** **D21/191**

[58] **Field of Search** D21/191, 198;
D24/135, 200; 482/11, 121, 122, 124; 600/38, 242; 606/204.15

DESCRIPTION

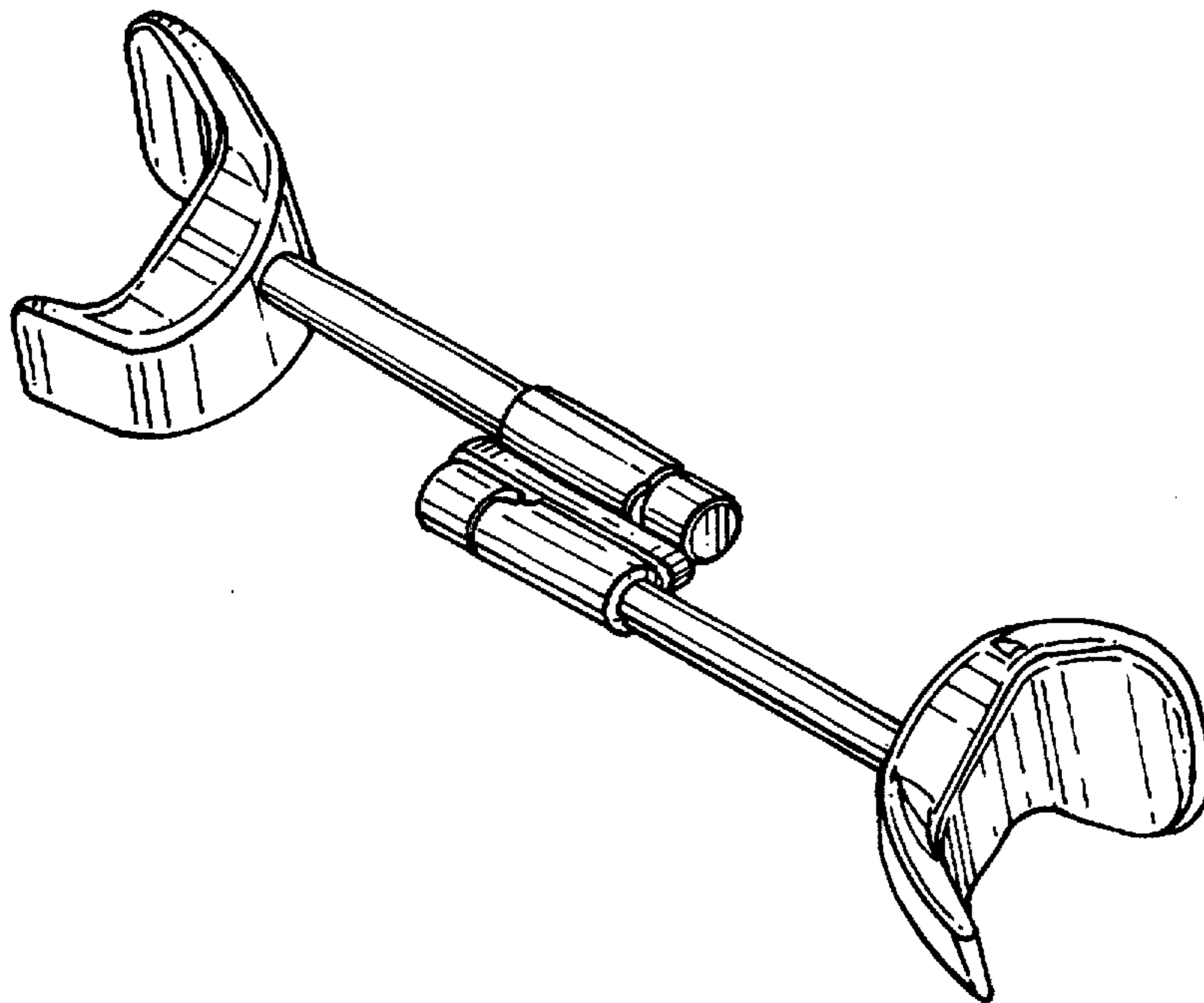
FIG. 1 is a top perspective view of a facial exerciser showing my new design;
FIG. 2 is a right end view thereof, the other end view being identical;
FIG. 3 is a top plan view thereof;
FIG. 4 is a front elevation view thereof;
FIG. 5 is a bottom plan view thereof; and,
FIG. 6 is a back view thereof.

[56] **References Cited**

U.S. PATENT DOCUMENTS

770,853	9/1904	Hare	600/242
3,938,508	2/1976	Buckner	600/242
4,200,089	4/1980	Inoue	600/242
4,280,696	7/1981	Ramon	482/122

1 Claim, 1 Drawing Sheet



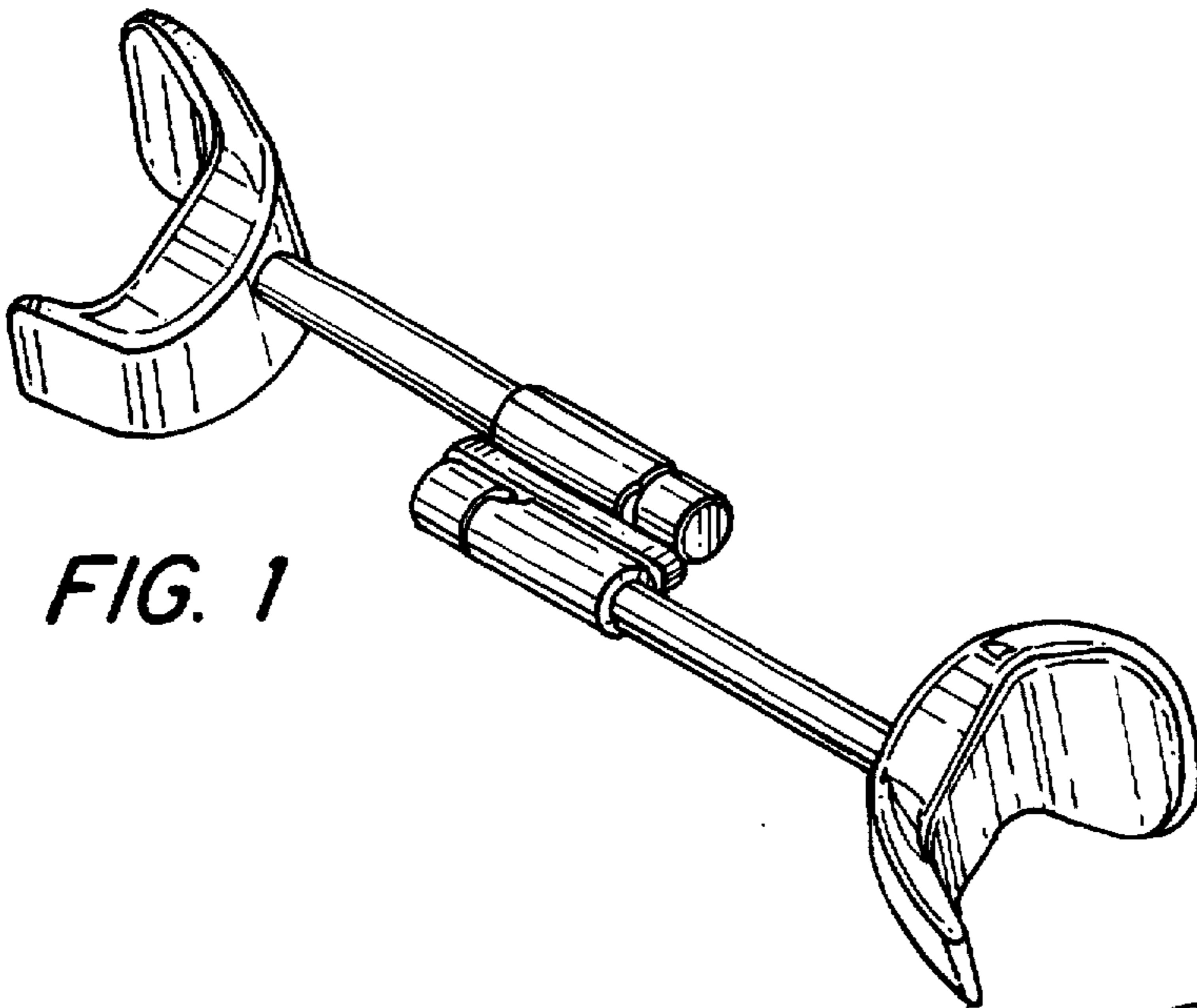


FIG. 1

FIG. 2

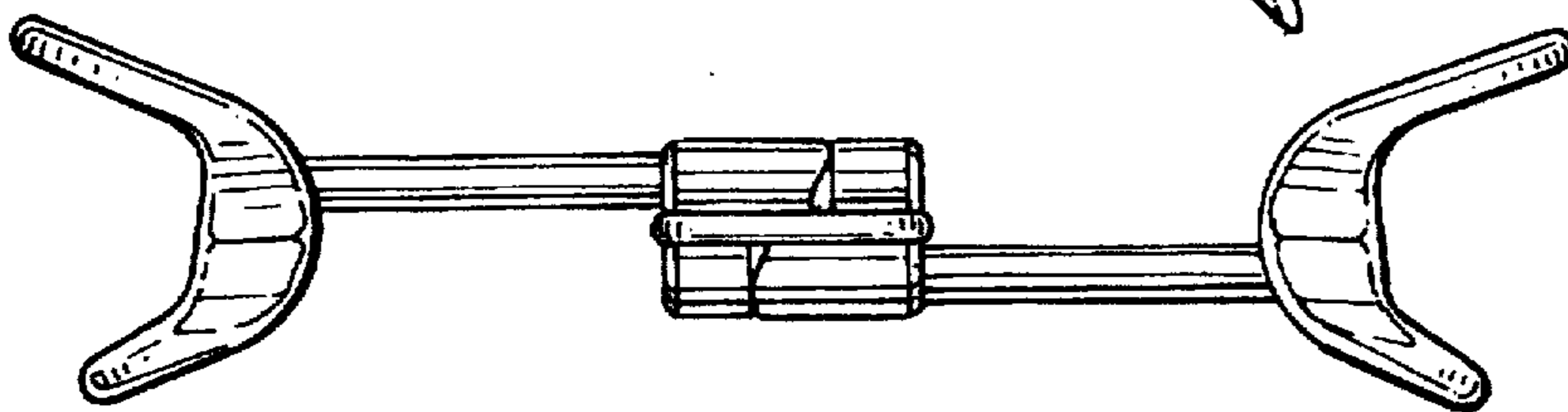
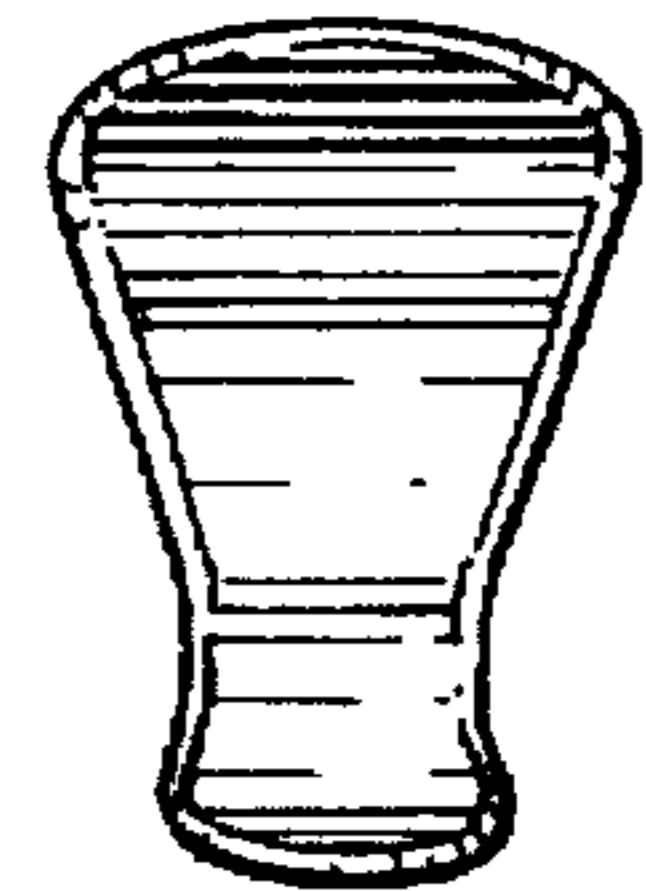


FIG. 3

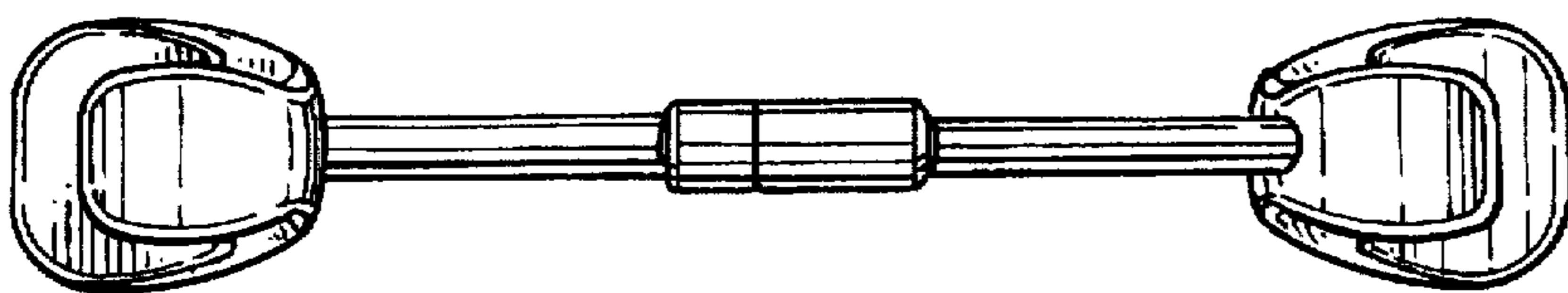


FIG. 4

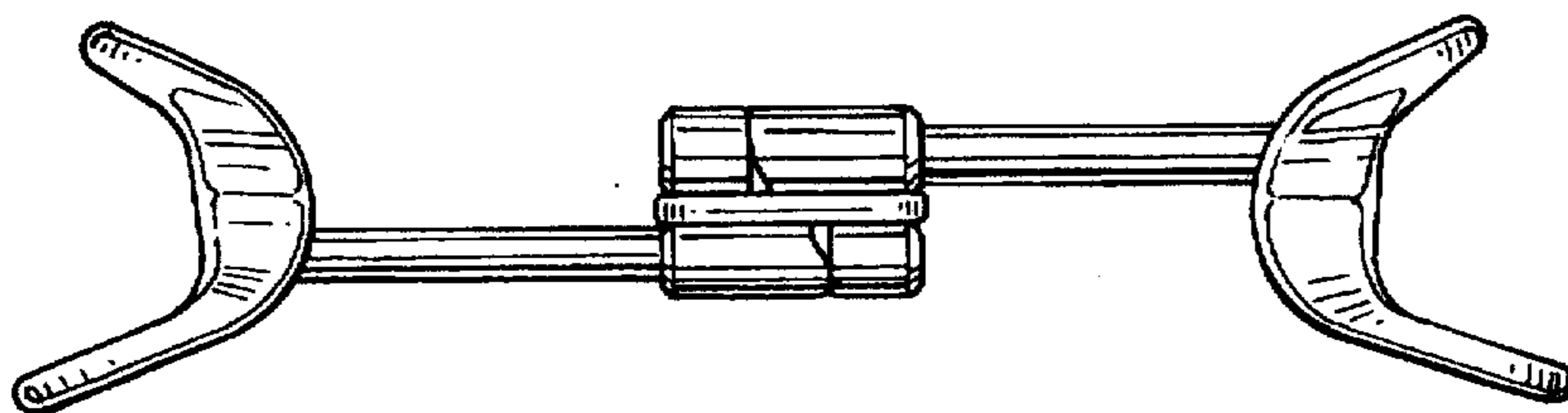


FIG. 5

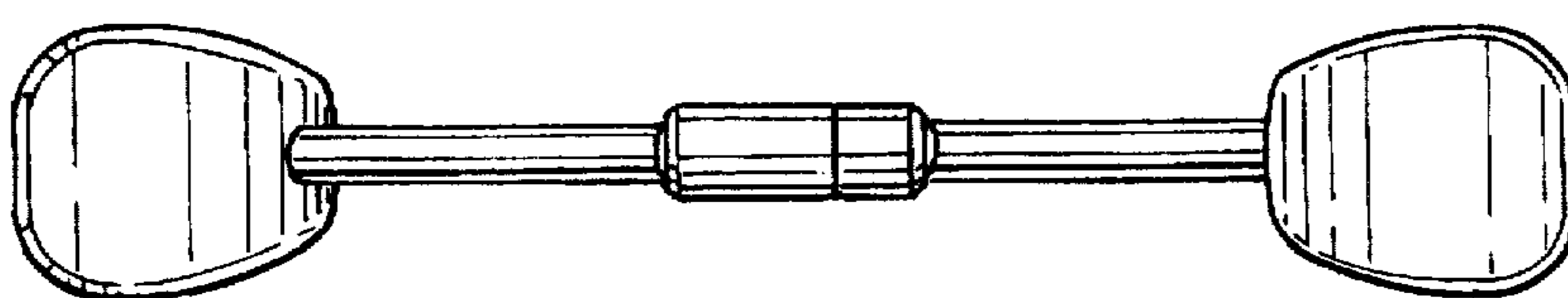


FIG. 6