



US00D397155S

United States Patent [19]
Hetzer

[11] **Patent Number: Des. 397,155**

[45] **Date of Patent: **Aug. 18, 1998**

[54] **ELECTRONIC INFORMATION DISPLAY DEVICE**

D. 348,287 6/1994 Odmark .
D. 367,679 3/1996 Vitali et al. D20/42
3,159,937 12/1964 Barnes .

[75] **Inventor: Norbert Hetzer, Lobbach, Germany**

FOREIGN PATENT DOCUMENTS

[73] **Assignee: Esselte Meto International GmbH, Heppenheim, Germany**

0394913 12/1991 Austria .
8709979 6/1988 Germany .
3821137 2/1989 Germany .
9104107 7/1991 Germany .
9309464 11/1993 Germany .
9407572 8/1994 Germany .
2252034 7/1992 United Kingdom .
2266401 10/1993 United Kingdom .

[**] **Term: 14 Years**

[21] **Appl. No.: 48,232**

[22] **Filed: Dec. 22, 1995**

Related U.S. Application Data

Primary Examiner—Susan J. Lucas
Assistant Examiner—Jennifer Rivard
Attorney, Agent, or Firm—Nils H. Ljungman and Associates

[63] **Continuation of Ser. No. 513,431, Aug. 10, 1995, abandoned, and a continuation of Ser. No. 36,606, Feb. 13, 1995.**

[57] **CLAIM**

[51] **LOC (6) Cl. 20-02**

The ornamental design for an electronic information display device, as shown and described.

[52] **U.S. Cl. D20/43; D20/10; D20/42**

[58] **Field of Search D20/10, 42, 40, D20/41, 44, 20, 19; 40/584, 541, 542, 544, 553, 563, 572, 575**

DESCRIPTION

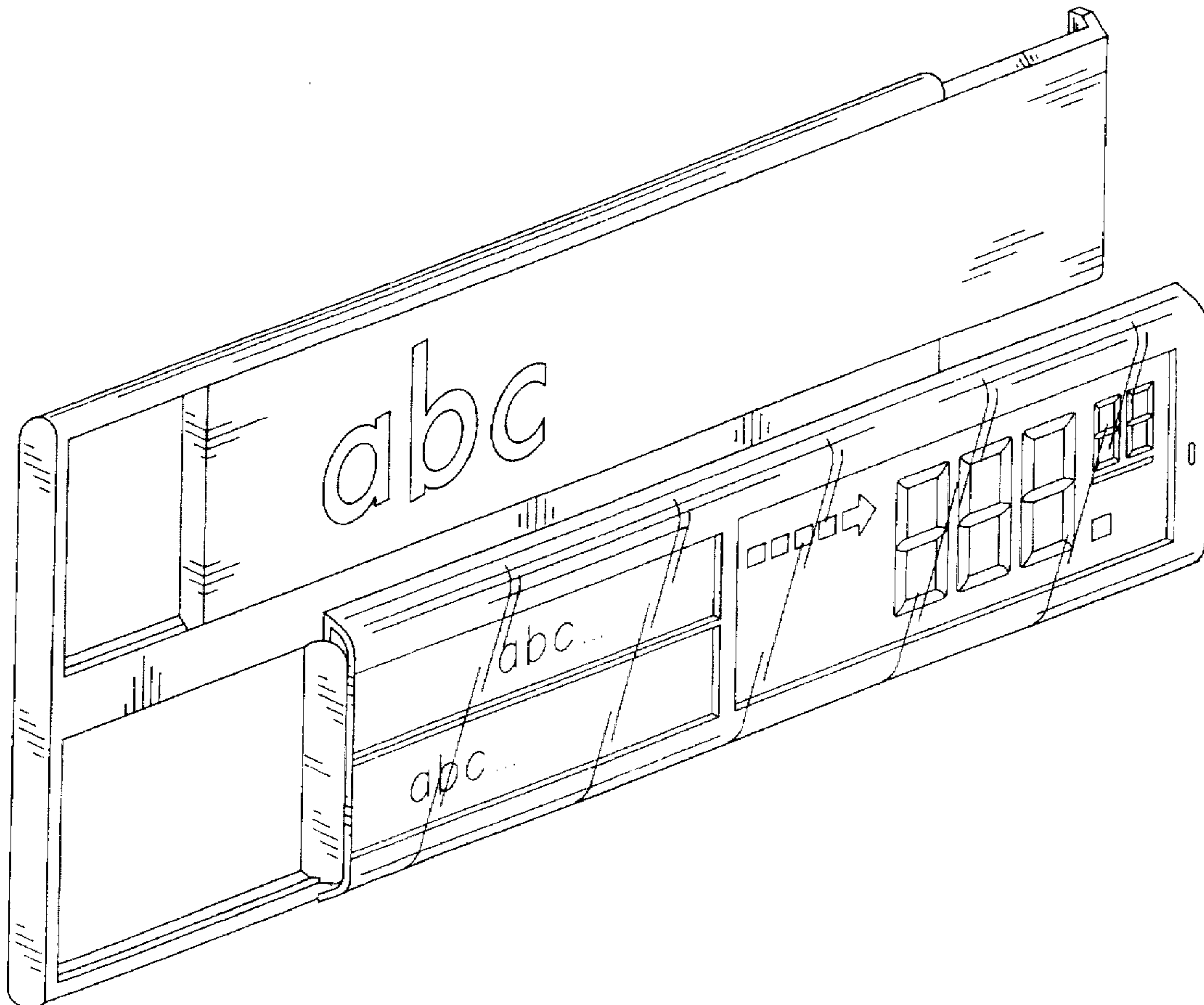
FIG. 1 is perspective view of the electronic information display device; and,
FIG. 2 is a left side view with the right side being a mirror image.
The rear surface of the claimed design is unornamented.

[56] **References Cited**

U.S. PATENT DOCUMENTS

D. 271,861 12/1983 Patton D20/10
D. 279,691 7/1985 Silver D20/20

1 Claim, 2 Drawing Sheets



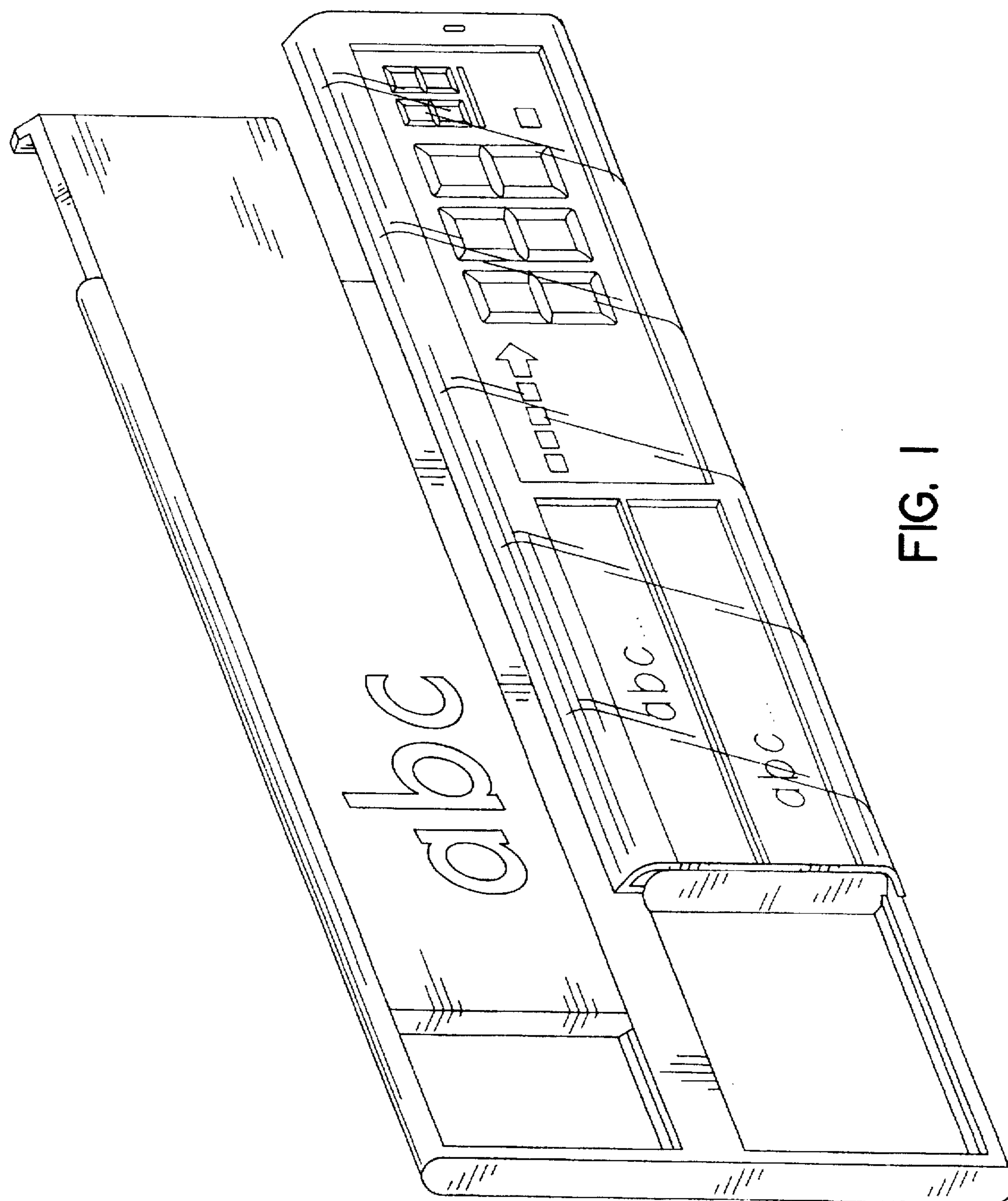


FIG. 1

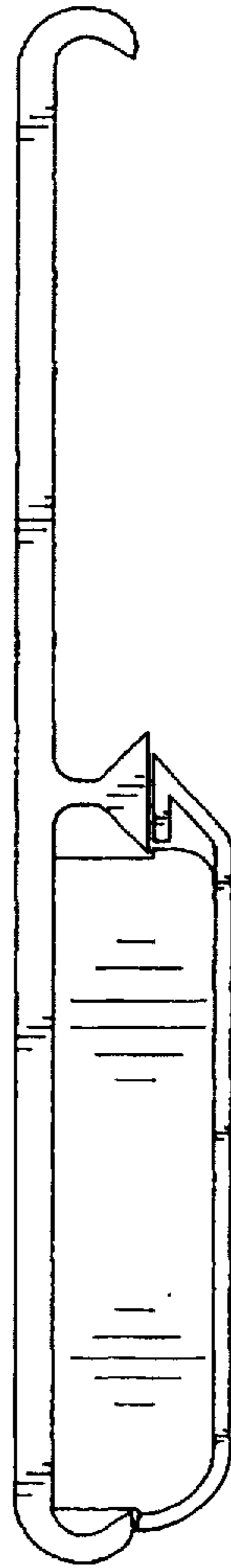


FIG. 2

UNITED STATES PATENT AND TRADEMARK OFFICE
CERTIFICATE OF CORRECTION

PATENT NO. : D397,155
DATED : August 18, 1998
INVENTOR(S) : Norbert HETZER

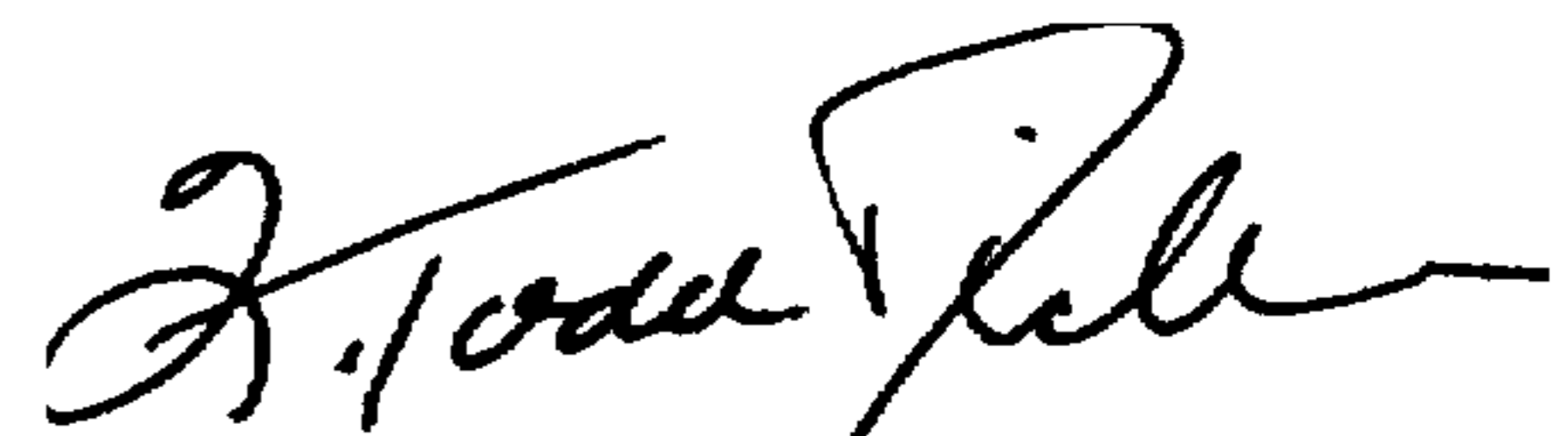
It is certified that error appears in the above-identified patent and that said Letters Patent is hereby corrected as shown below:

On the Title Page, after Item [63], insert the following:

--[30] Foreign Application Priority Data
Aug. 12, 1994 [DE] Germany44 28 555.8--.

Signed and Sealed this
Fifth Day of October, 1999

Attest:



Q. TODD DICKINSON

Attesting Officer

Acting Commissioner of Patents and Trademarks