



US00D397154S

**United States Patent** [19]  
**Hart**

[11] **Patent Number: Des. 397,154**

[45] **Date of Patent: \*\*Aug. 18, 1998**

[54] **HIGHWAY GUIDE MARKER**

[75] **Inventor: Shaughnessy Hart, Orlando, Fla.**

[73] **Assignee: Osceola County, Florida, Kissimmee, Fla.**

[\*\*] **Term: 14 Years**

[21] **Appl. No.: 80,276**

[22] **Filed: Dec. 1, 1997**

[51] **LOC (6) Cl. .... 20-02**

[52] **U.S. Cl. .... D20/41; D20/10**

[58] **Field of Search .... D20/10, 41, 39,  
D20/17; D10/109; D25/126; 40/584, 606,  
607, 624**

[56] **References Cited**

**U.S. PATENT DOCUMENTS**

D. 202,326 9/1965 Doss ..... D20/41

*Primary Examiner*—Susan J. Lucas  
*Assistant Examiner*—Jennifer Rivard  
*Attorney, Agent, or Firm*—William M. Hobby, III

[57] **CLAIM**

The ornamental design for a highway guide marker, as shown and described.

**DESCRIPTION**

FIG. 1 is a top front side perspective view of my new highway guide marker;

FIG. 2 is a front side elevation;

FIG. 3 is a rear side elevation;

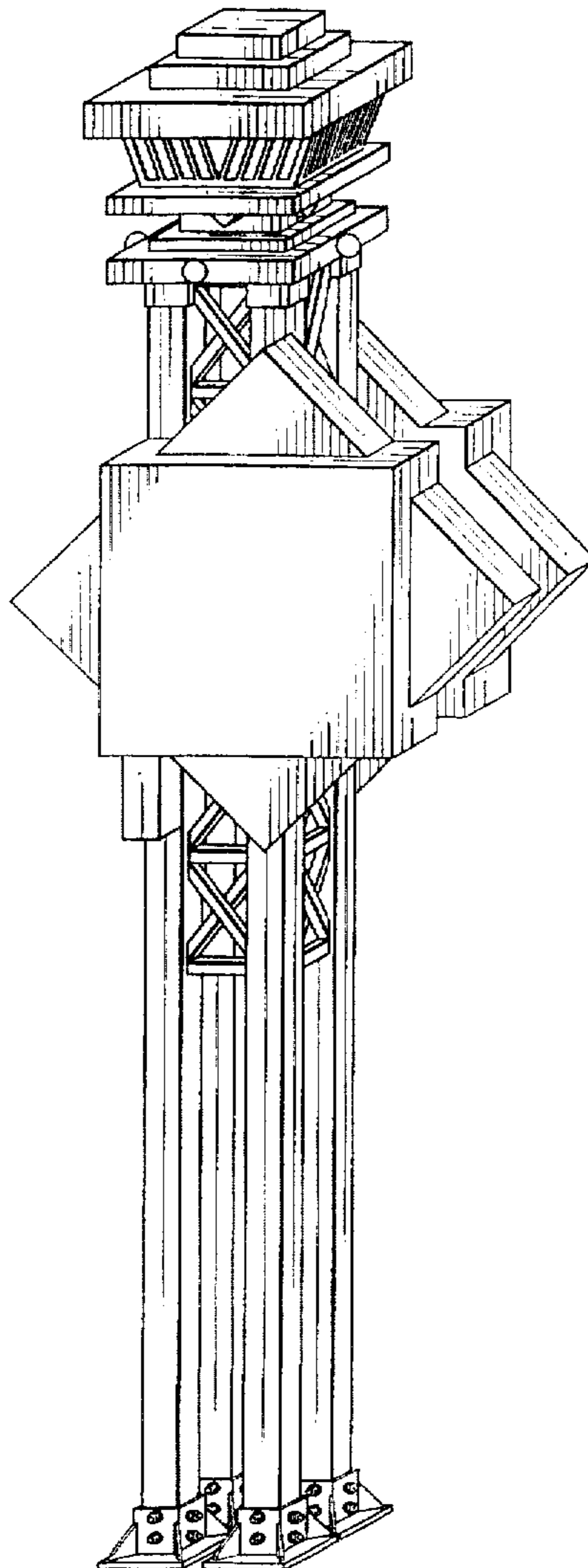
FIG. 4 is a top plan view;

FIG. 5 is a bottom plan view;

FIG. 6 is a right side elevation; and,

FIG. 7 is a left side elevation.

**1 Claim, 3 Drawing Sheets**



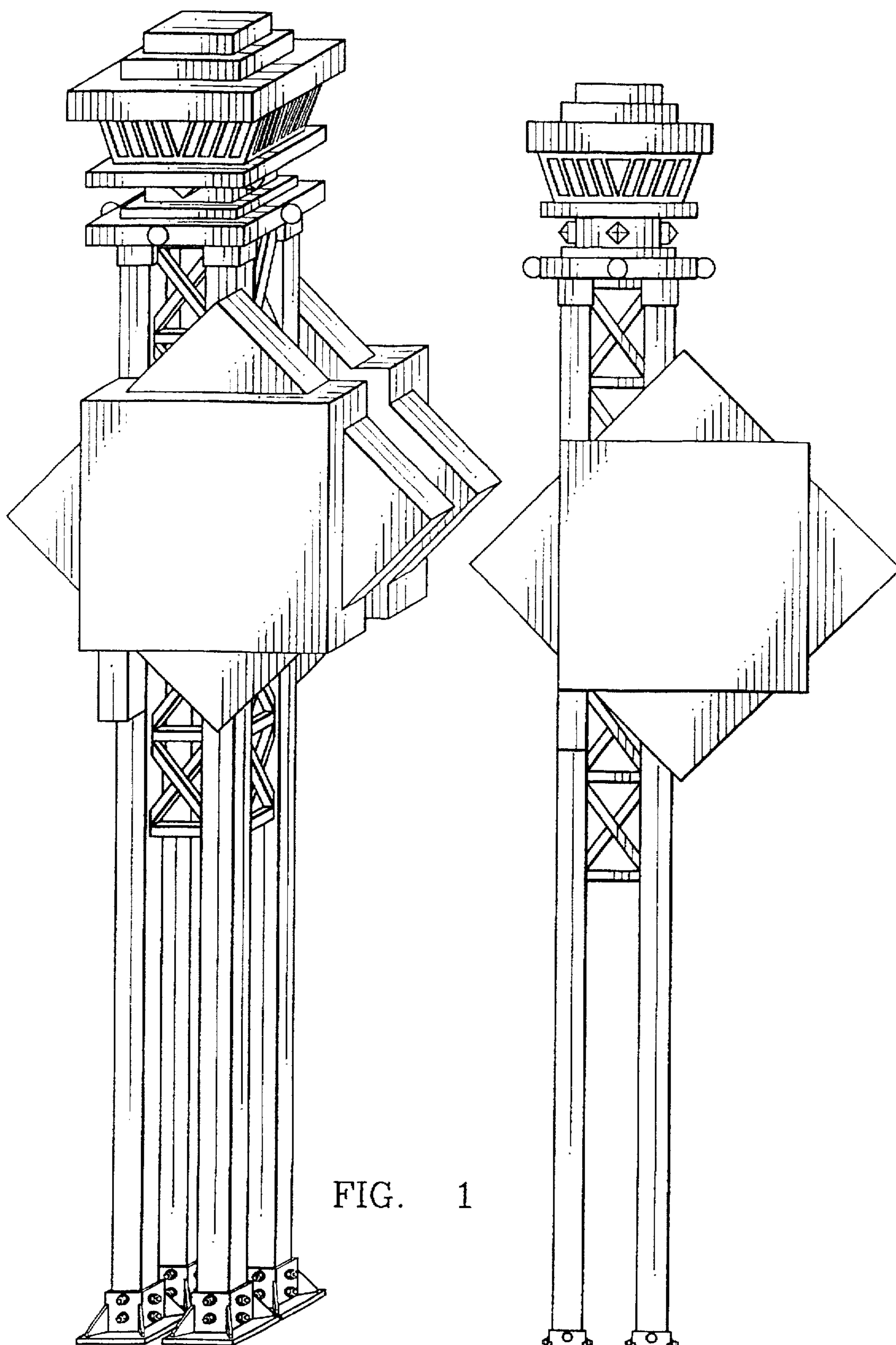


FIG. 1

FIG. 2

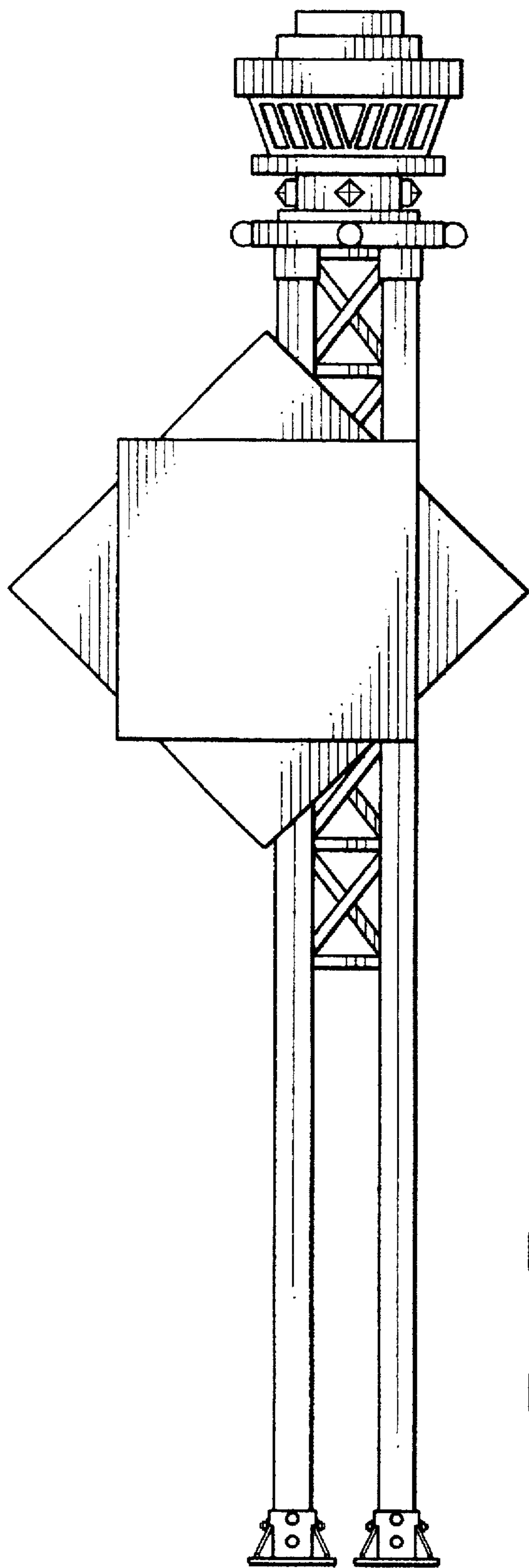


FIG. 3

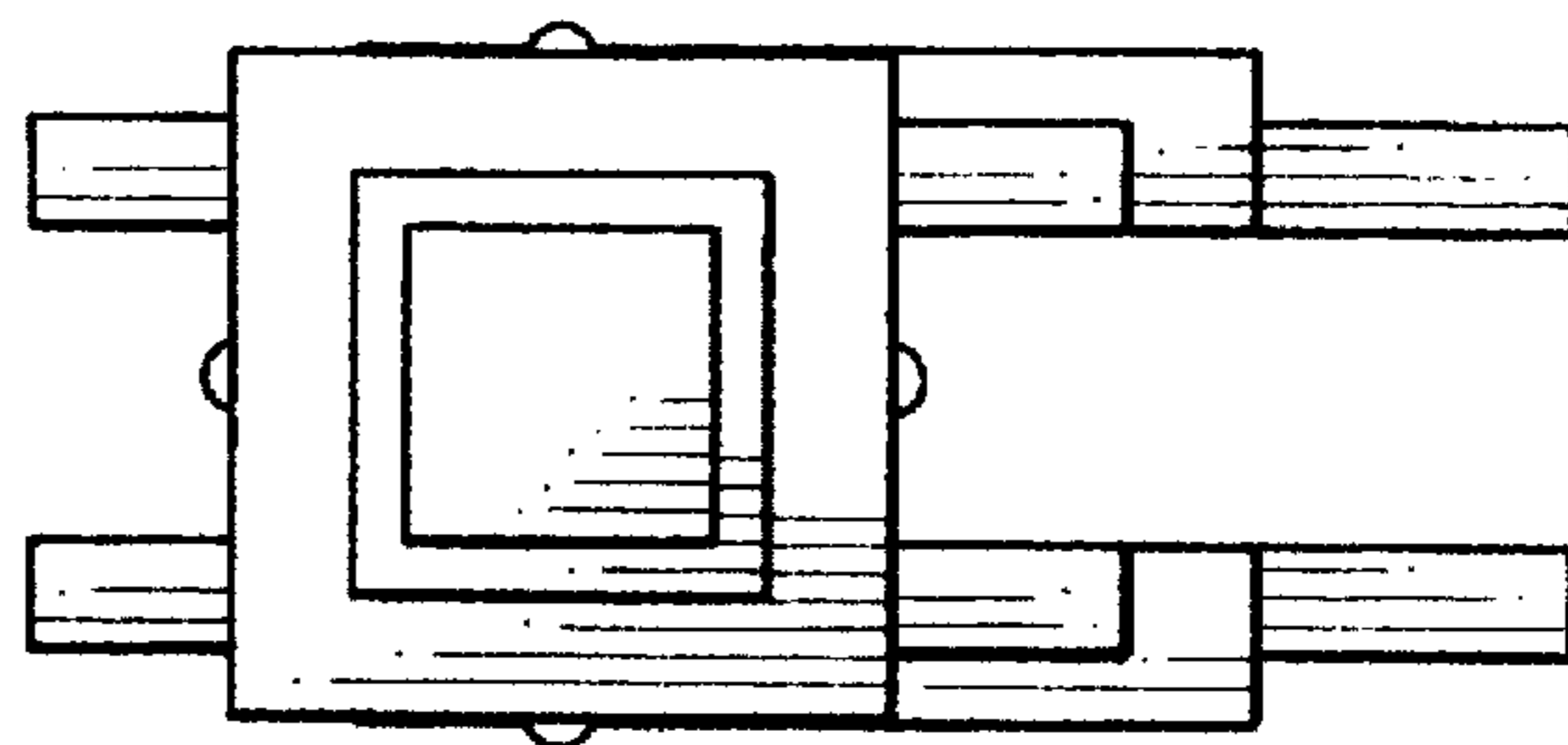


FIG. 4

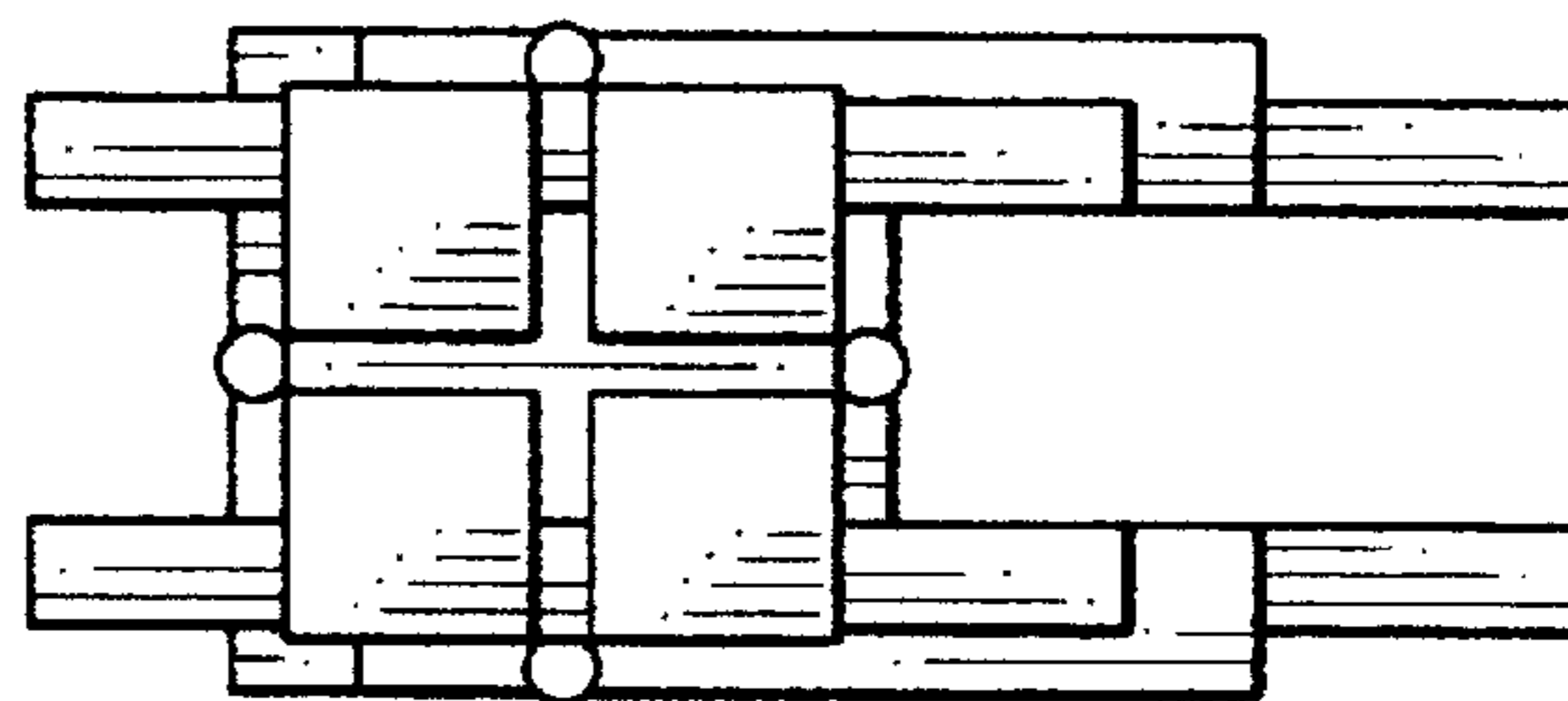


FIG. 5

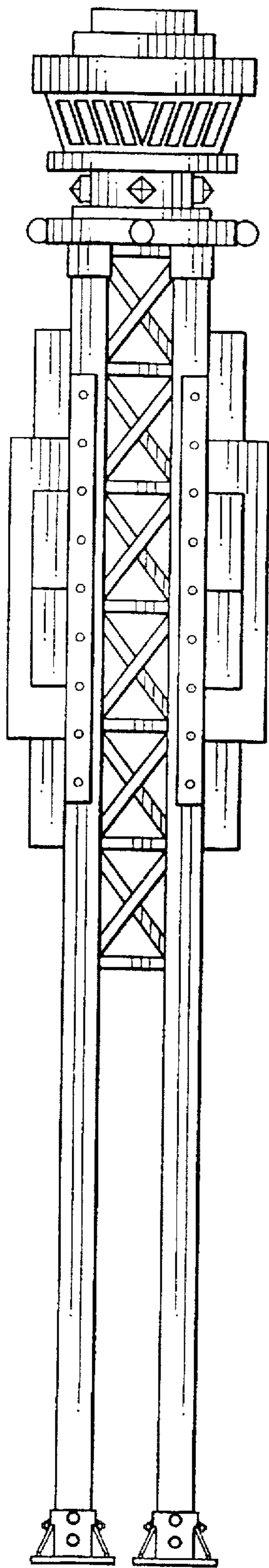


FIG. 6

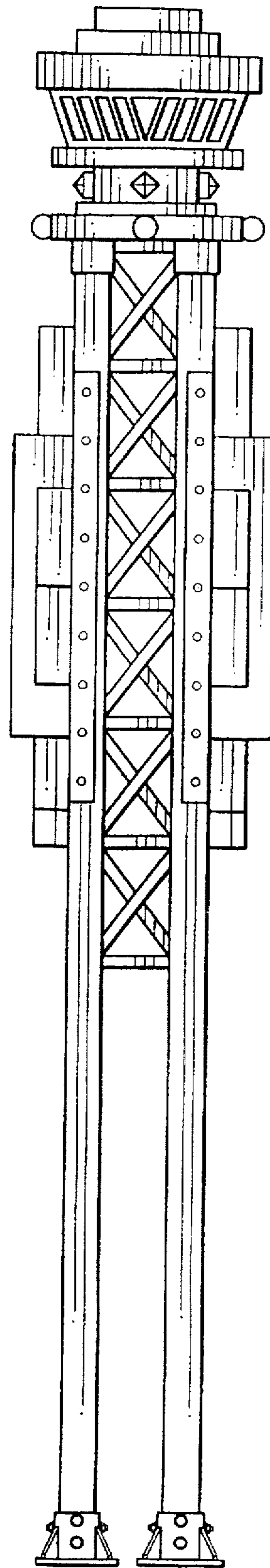


FIG. 7