



US00D397151S

# United States Patent [19]

Schultz et al.

[11] Patent Number: **Des. 397,151**

[45] Date of Patent: **\*\*Aug. 18, 1998**

[54] **PAPER HOLDER TRAY**

[75] Inventors: **Craig H. Schultz; Ogden R. Olson,**  
both of Muscatine, Iowa

[73] Assignee: **HON Technology Inc.,** Muscatine,  
Iowa

[\*\*] Term: **14 Years**

[21] Appl. No.: **71,587**

[22] Filed: **Jun. 3, 1997**

[51] LOC (6) Cl. .... **19-02**

[52] U.S. Cl. .... **D19/90; D19/92; D19/86**

[58] **Field of Search** .... **D19/65, 75, 78,**  
**D19/86, 90, 91, 92, 95, 99, 100; 211/42,**  
**43, 45, 10, 11, 13, 50, 55, 126, 184, 128;**  
**206/425, 444, 449**

[56] **References Cited**

**U.S. PATENT DOCUMENTS**

- D. 251,254 3/1979 Tiedemann ..... D19/90
- D. 290,141 6/1987 Rabig ..... D19/92 X

- D. 333,489 2/1993 Stern et al. .... D19/86 X
- D. 335,505 5/1993 Chan ..... D19/92
- D. 340,068 10/1993 Chan ..... D19/90
- 1,419,485 6/1922 Arcaro ..... 211/11
- 2,462,789 2/1949 Trolen ..... 206/449

*Primary Examiner*—Martie Thompson  
*Attorney, Agent, or Firm*—Jones, Day, Reavis & Pogue

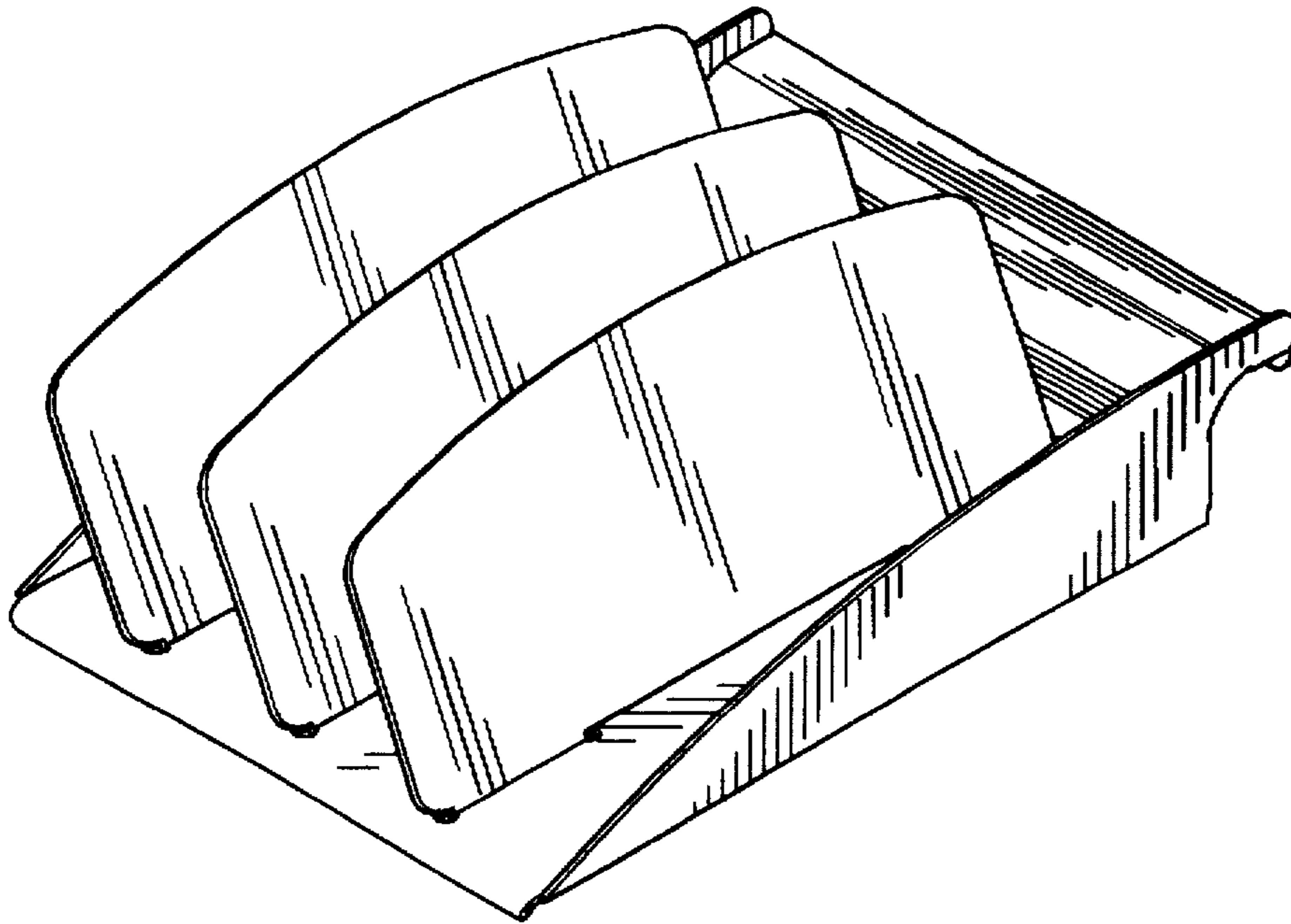
[57] **CLAIM**

The ornamental design for a paper holder tray, as shown and described.

**DESCRIPTION**

FIG. 1 is a front right perspective view of a paper holder tray showing our new design;  
FIG. 2 is a top plan view thereof;  
FIG. 3 is a right side elevational view, the opposite side being substantially the mirror image thereof;  
FIG. 4 is a front view thereof;  
FIG. 5 is a bottom view thereof;  
FIG. 6 is a rear view thereof; and  
FIG. 7 is an exploded front right perspective view thereof.

**1 Claim, 3 Drawing Sheets**



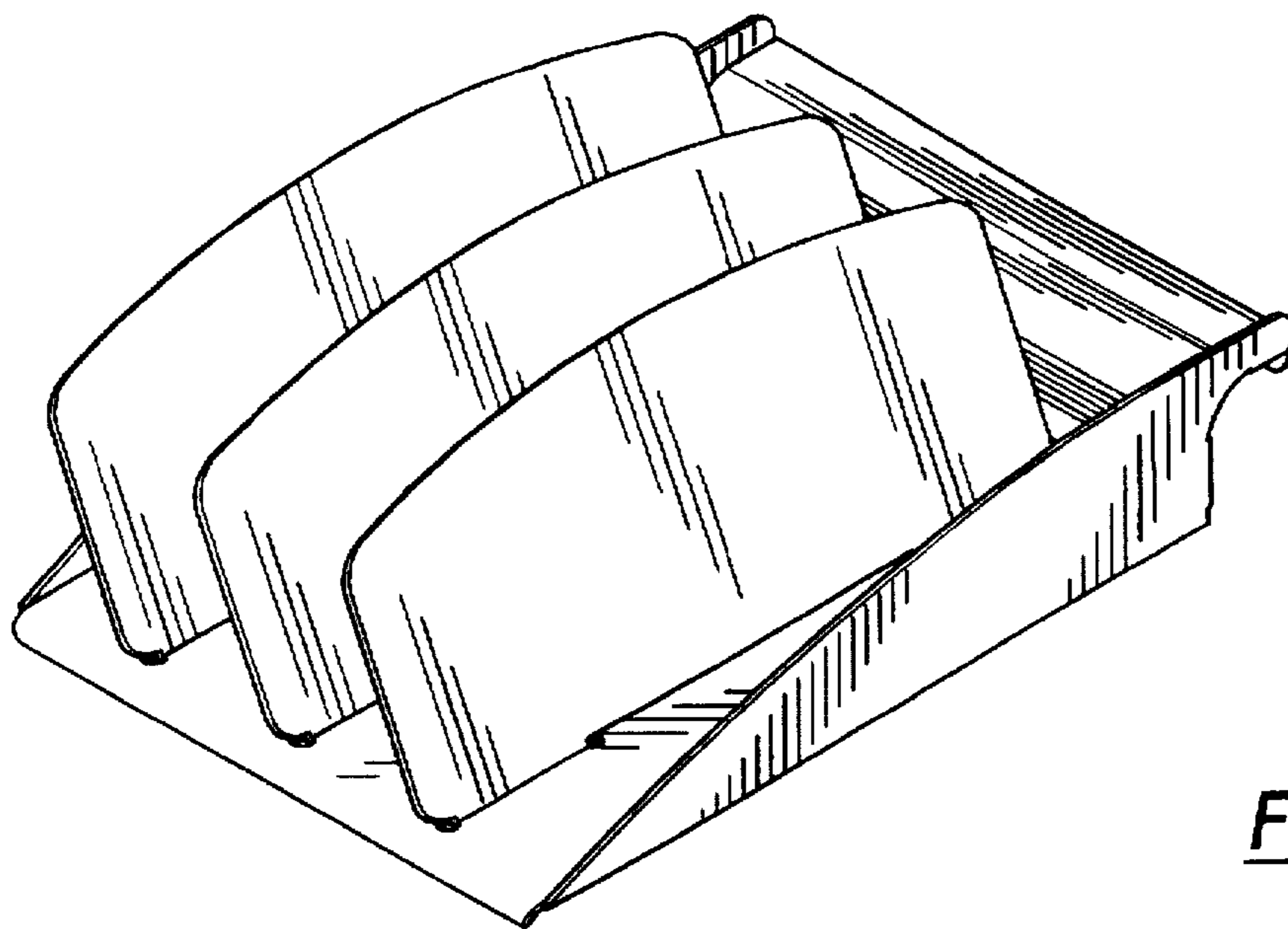


FIG. 1

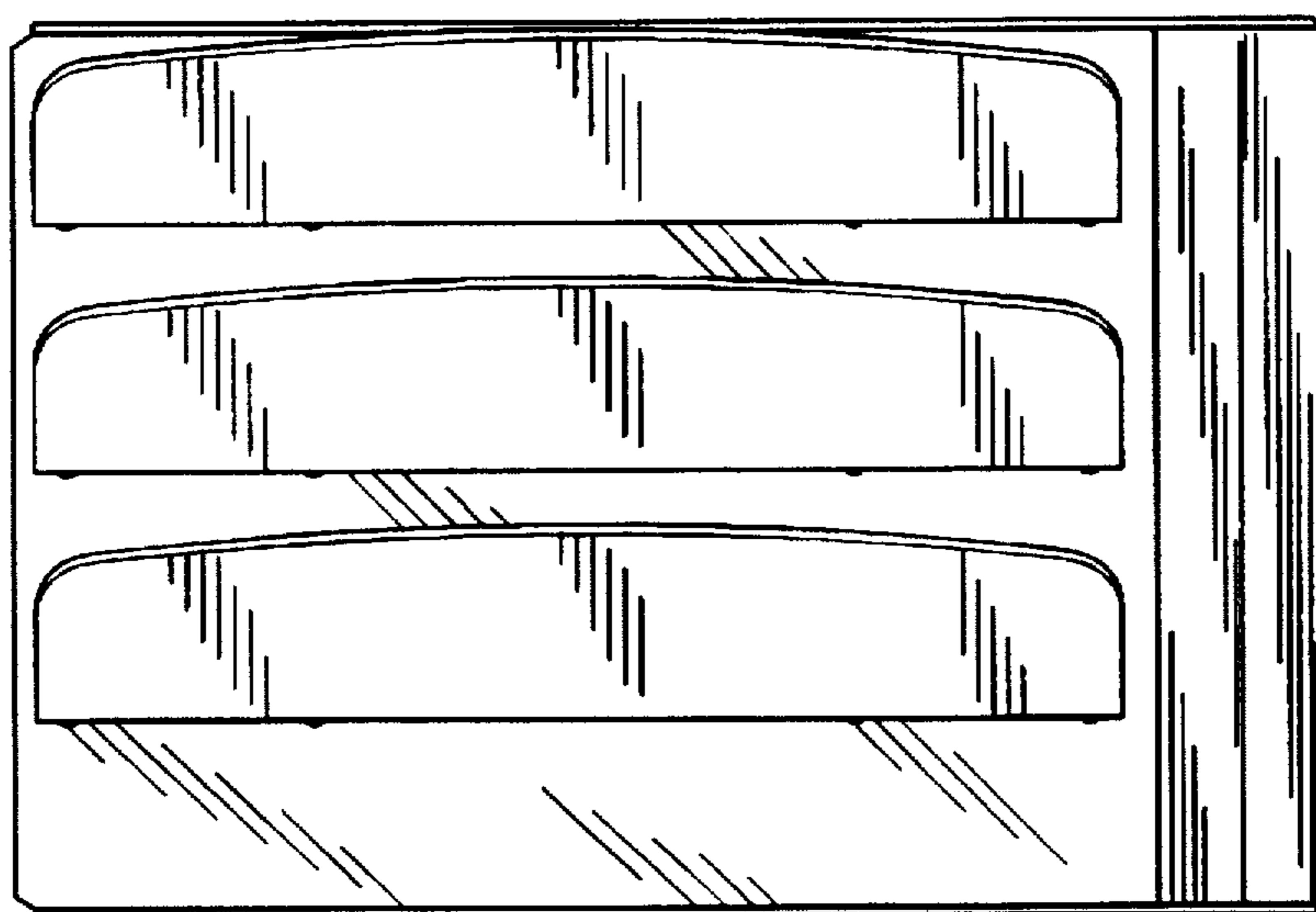


FIG. 2

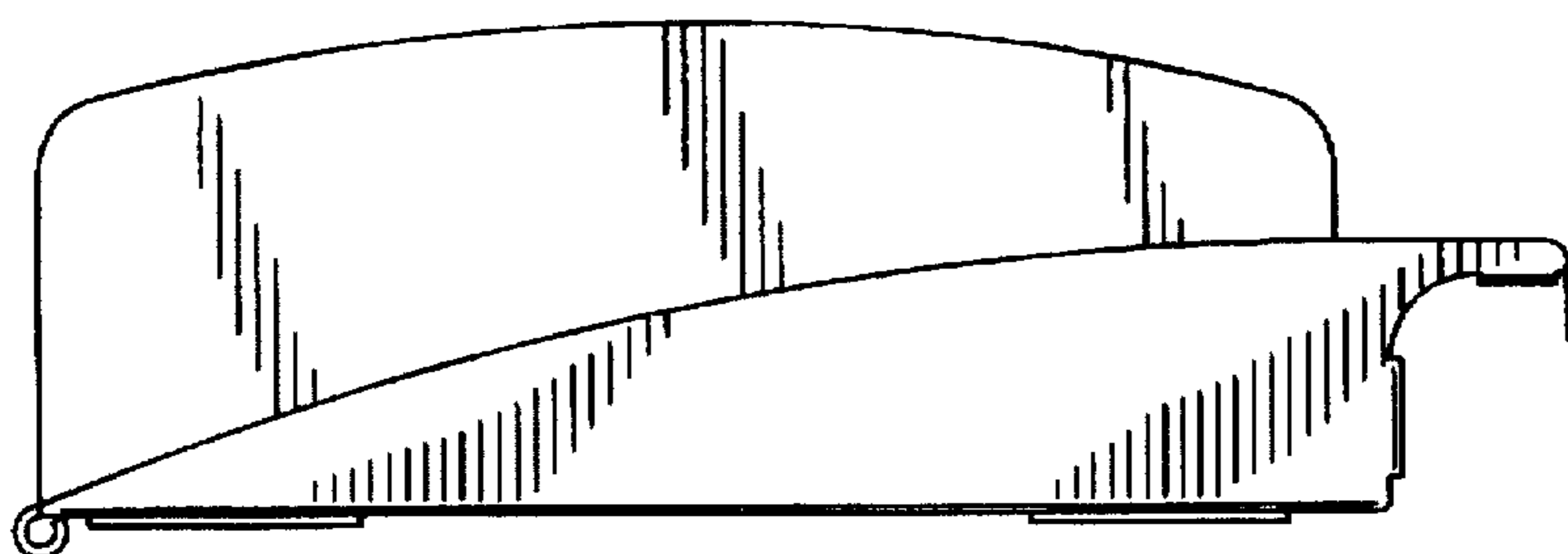


FIG. 3

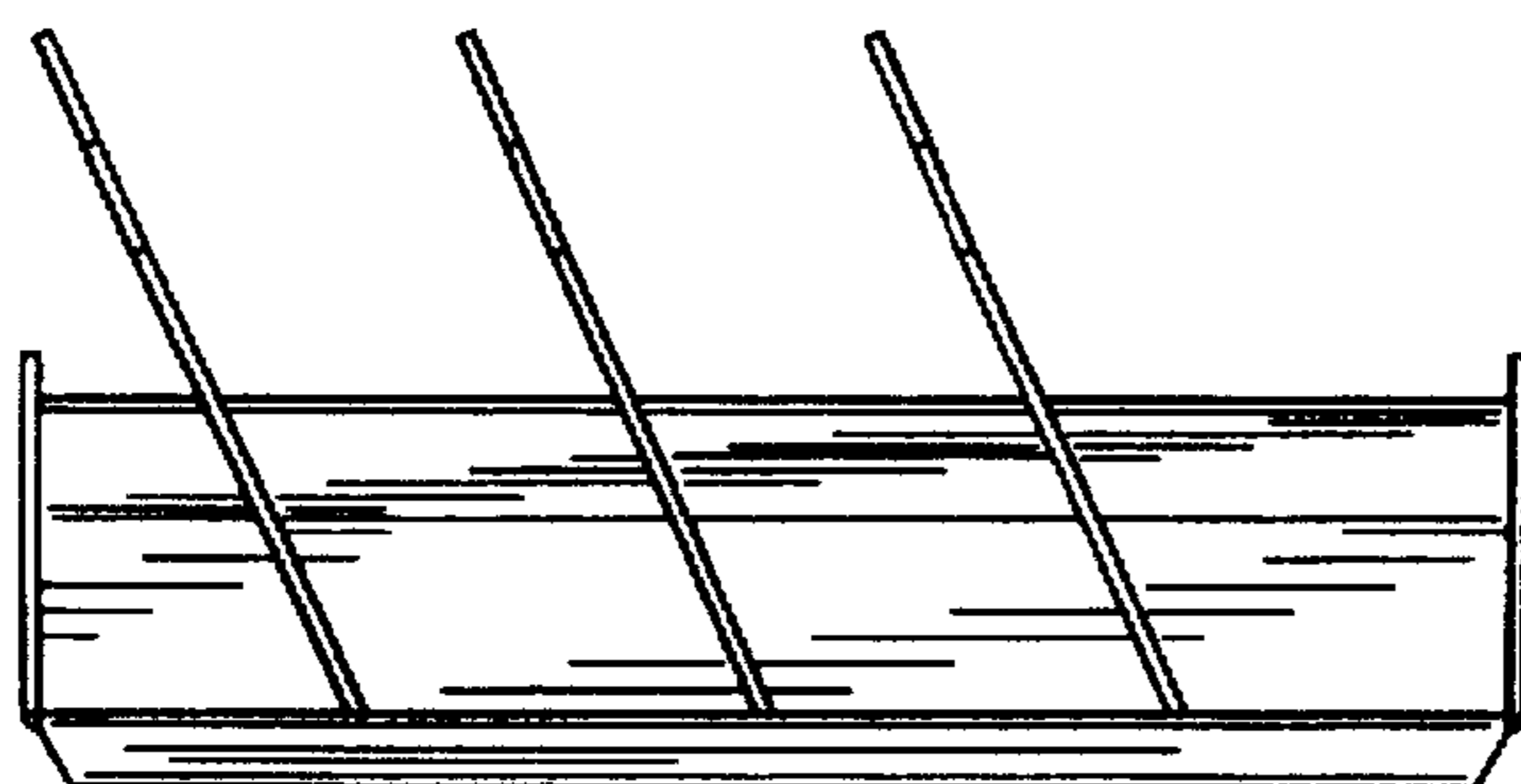


FIG. 4

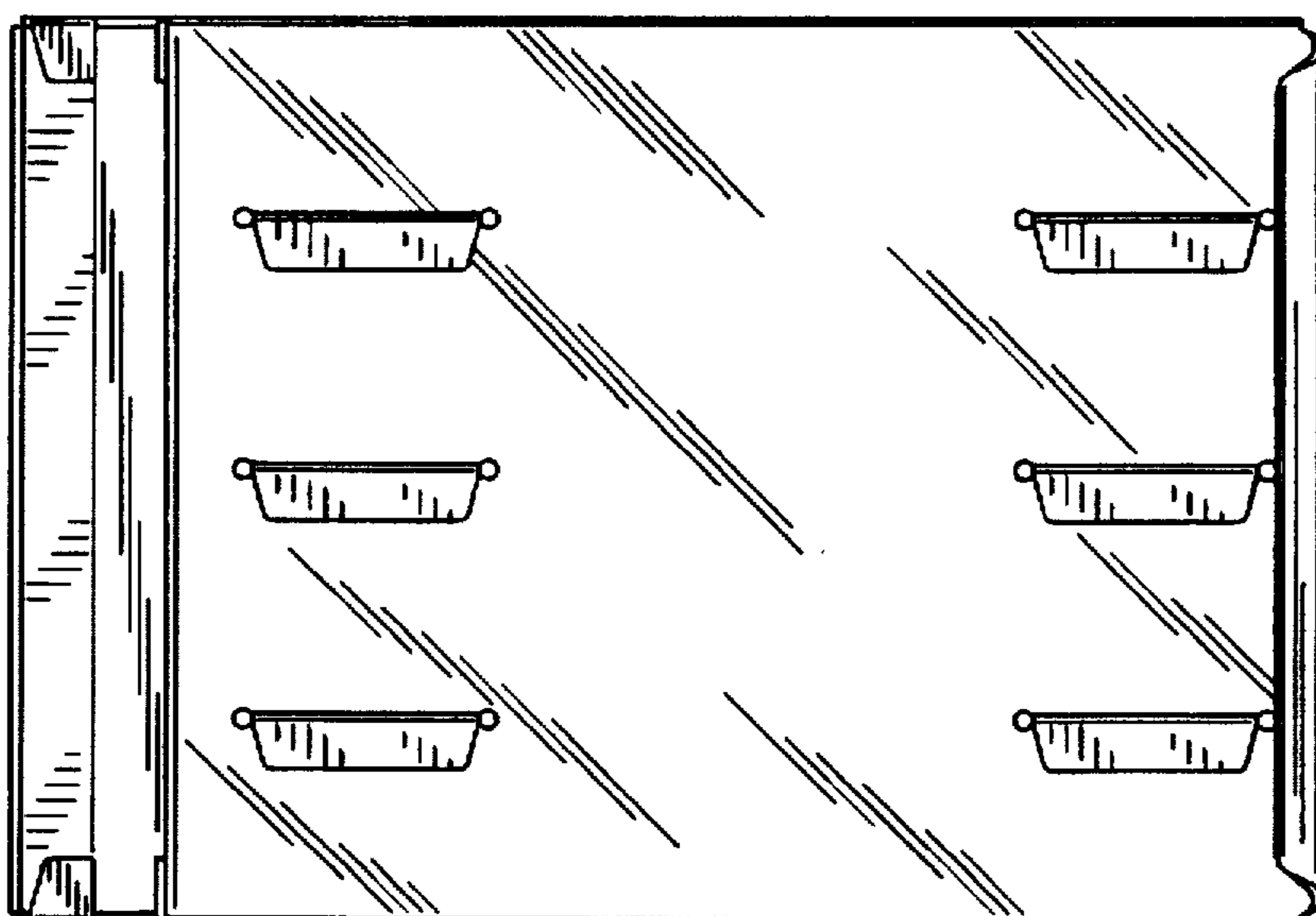


FIG. 5

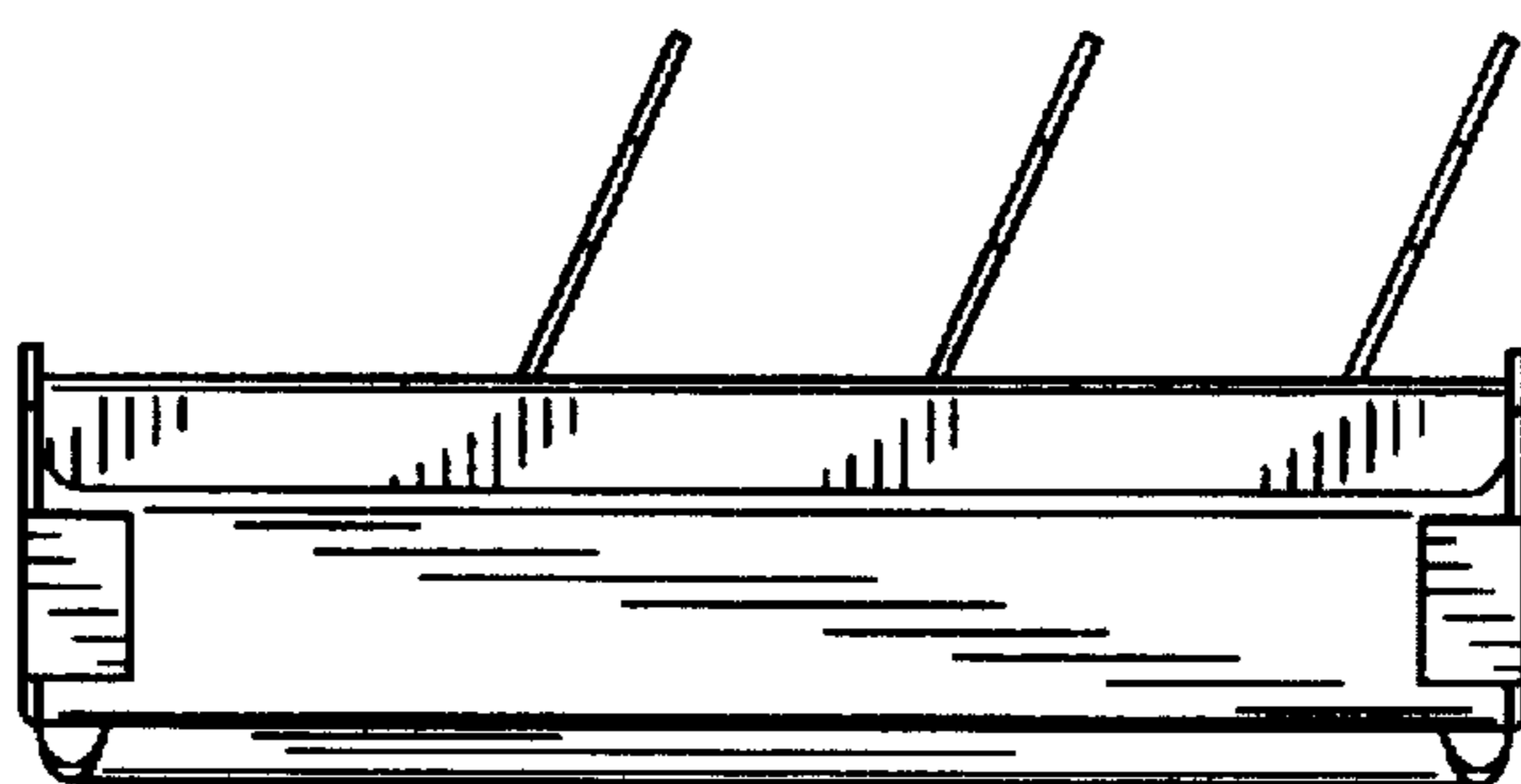


FIG. 6

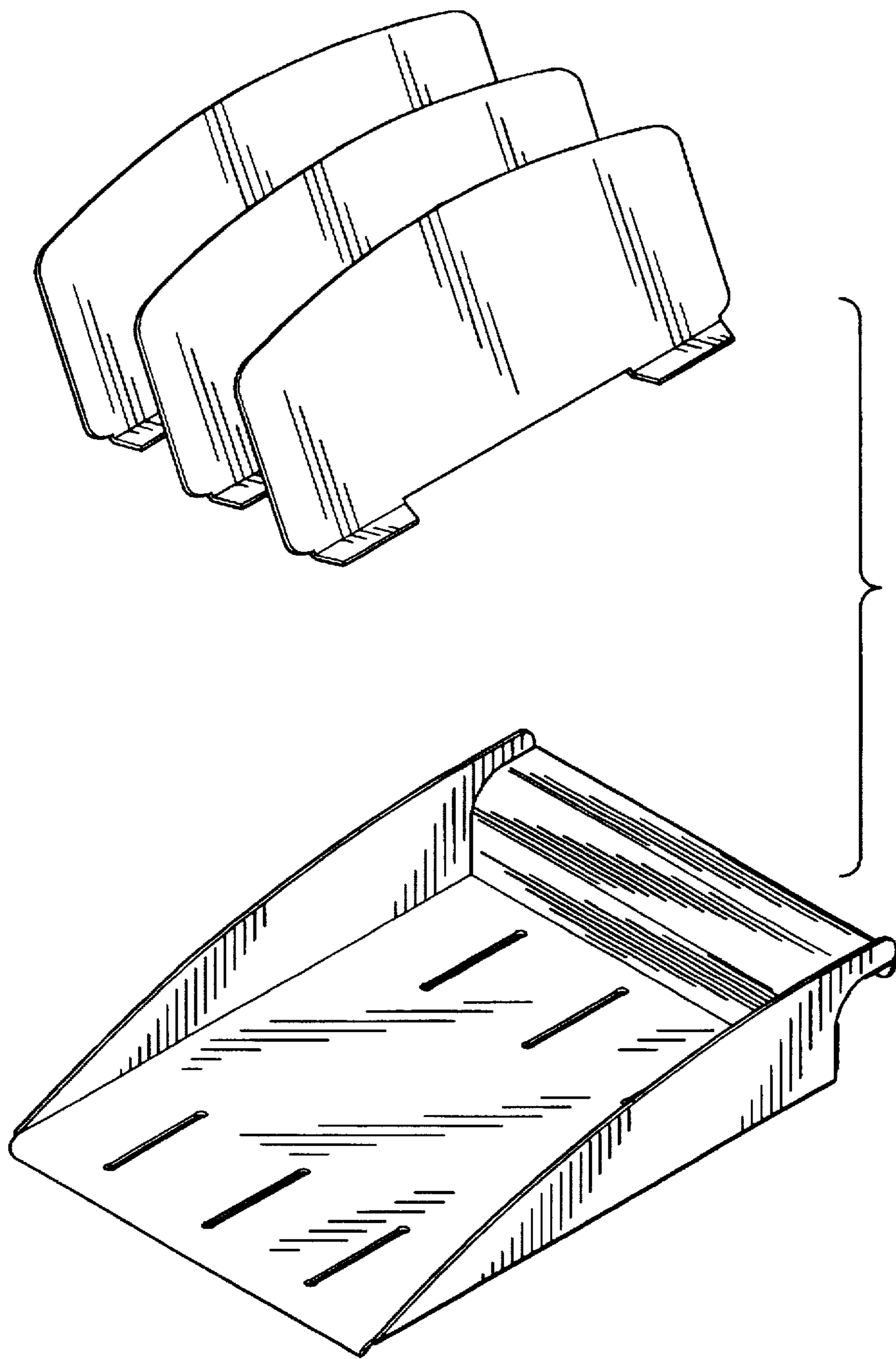


FIG. 7