



US00D397149S

United States Patent [19]

Perrin et al.

[11] Patent Number: **Des. 397,149**

[45] Date of Patent: ****Aug. 18, 1998**

[54] **WRITING INSTRUMENT**

[75] Inventors: **Alain-Dominique Perrin**, Rueil
Malmaison; **Jacques Diltoer**,
Villeneuve-La-Garenne, both of France

[73] Assignee: **Cartier International B.V.**,
Amsterdam-C, Netherlands

[**] Term: **14 Years**

[21] Appl. No.: **75,224**

[22] Filed: **Aug. 12, 1997**

[30] **Foreign Application Priority Data**

Feb. 12, 1997 [FR] France 97 0814

[51] **LOC (6) Cl.** **19-06**

[52] **U.S. Cl.** **D19/51; D19/48; D19/43;**
D19/56; D19/57

[58] **Field of Search** **D19/35, 36, 41-51,**
D19/54-58, 53, 81-85; 401/221, 222, 202,
223, 243-247

[56] **References Cited**

U.S. PATENT DOCUMENTS

D. 116,097 8/1939 Parker et al. D19/51

D. 160,180 9/1950 Kovacs D19/47 X
D. 163,845 7/1951 Beckstrom D19/43 X
D. 195,750 7/1963 Rösler et al. D19/51
D. 253,595 12/1979 Vong D19/36 X
2,233,846 3/1941 Packard 401/221

Primary Examiner—Martie Thompson
Attorney, Agent, or Firm—IP Group of Pillsbury Madison &
Sutro LLP

[57] **CLAIM**

The ornamental design for a writing instrument, as shown
and described.

DESCRIPTION

FIG. 1 is a perspective view of the writing instrument
showing our new design;

FIG. 2 is a front elevational view thereof;

FIG. 3 is a rear elevational view thereof;

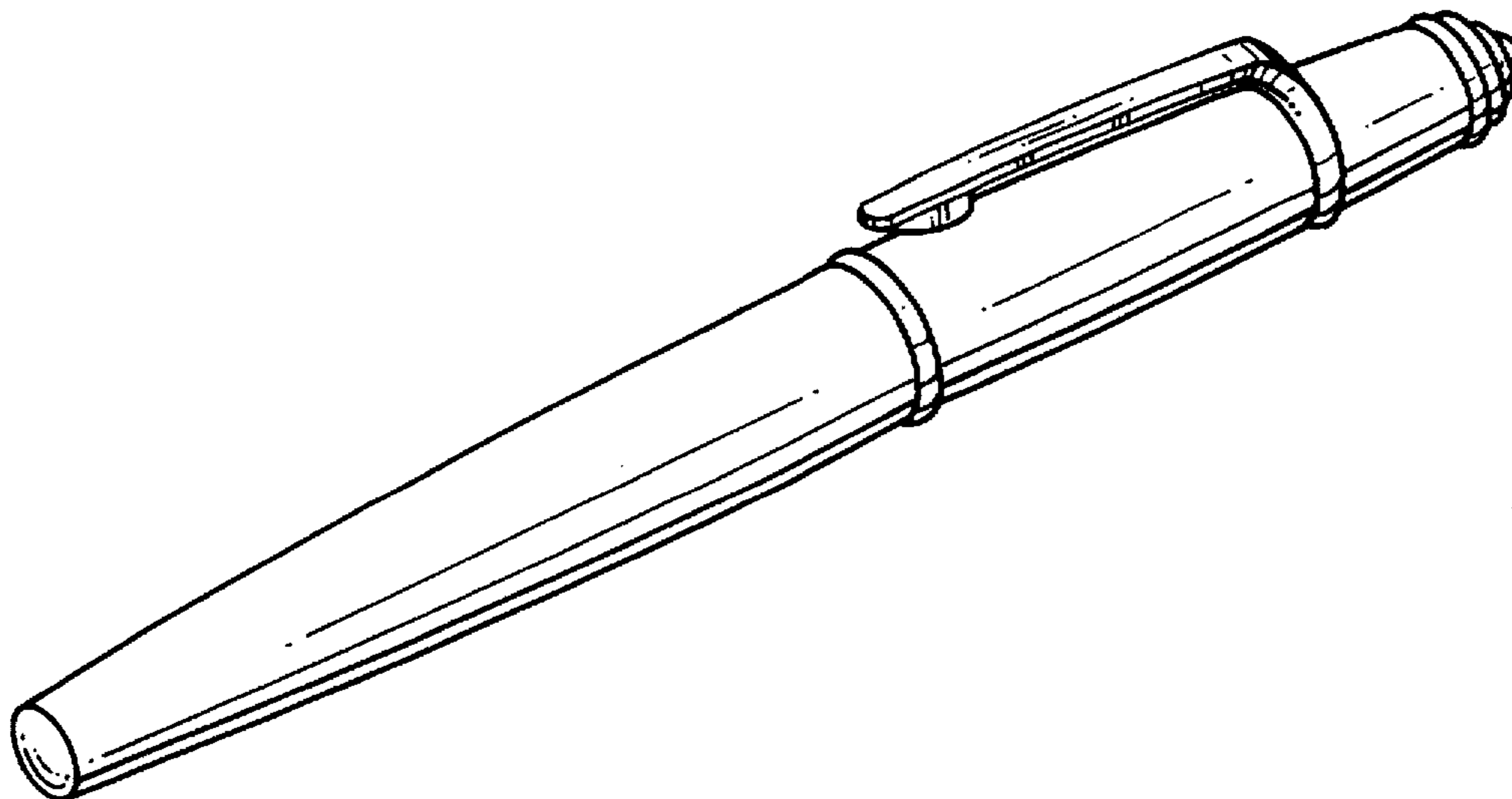
FIG. 4 is a top view thereof;

FIG. 5 is a bottom view thereof;

FIG. 6 is a right side view thereof; and,

FIG. 7 is a left side view thereof.

1 Claim, 2 Drawing Sheets



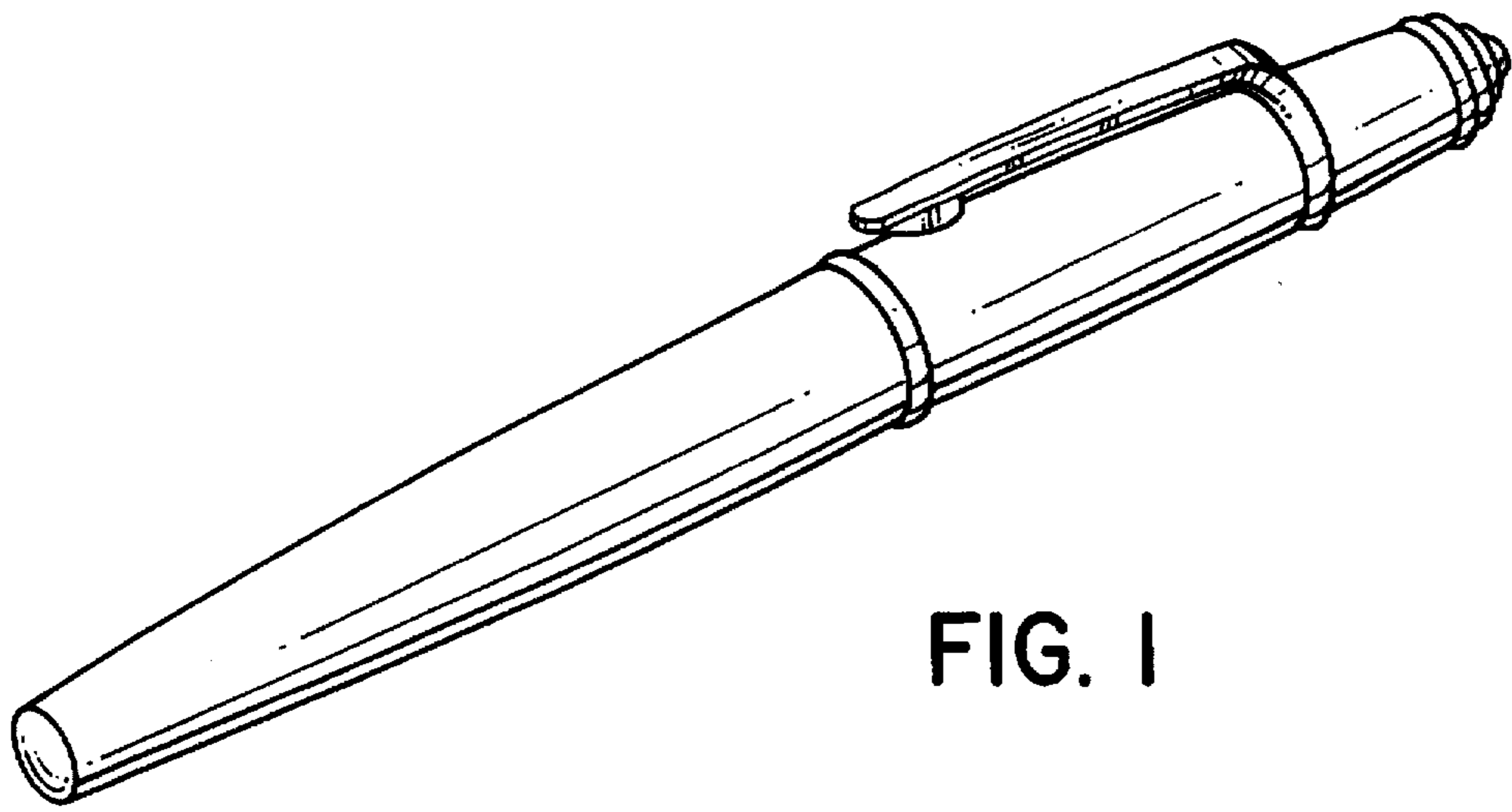


FIG. 1

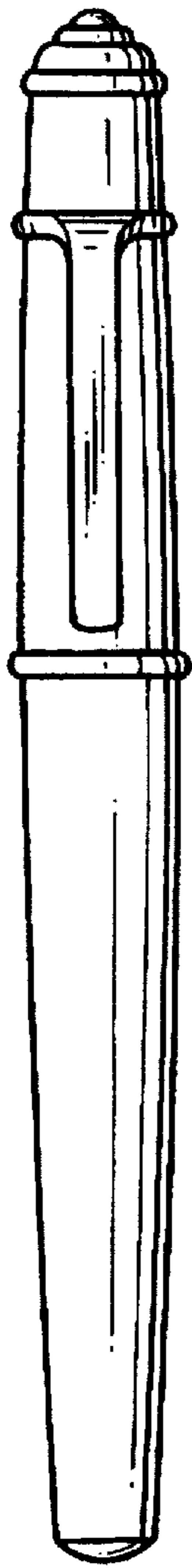


FIG. 2

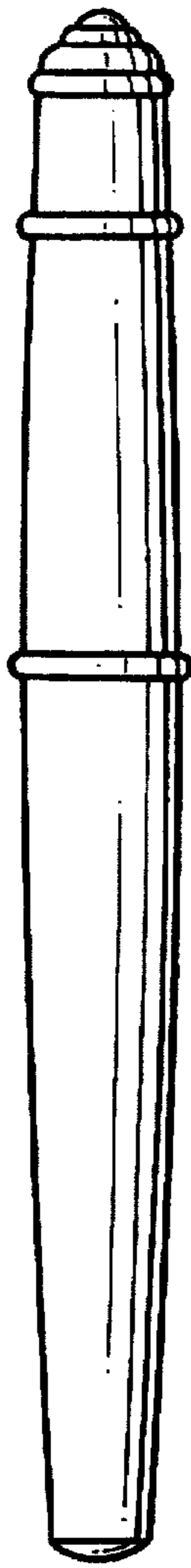


FIG. 3



FIG. 4

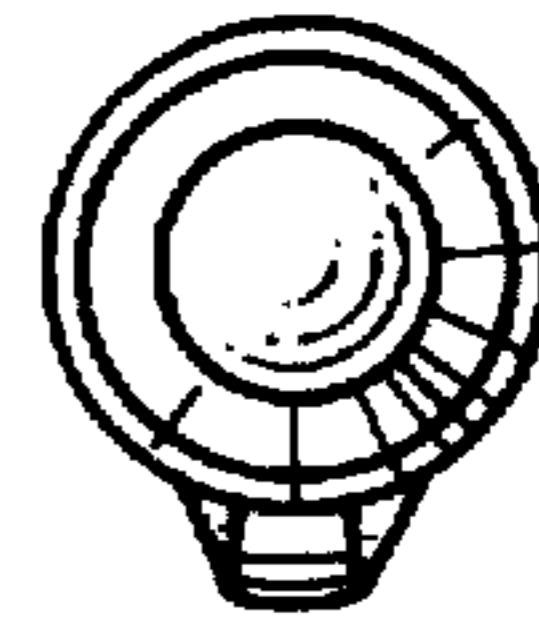


FIG. 5

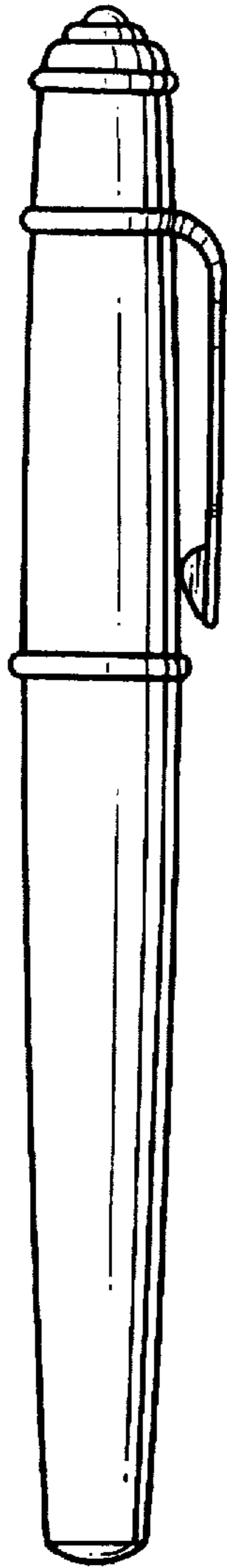


FIG. 6

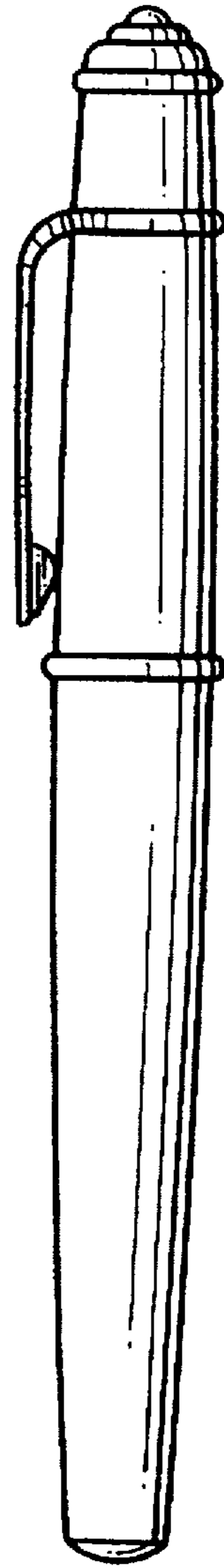


FIG. 7