



US00D397146S

United States Patent [19] Chan

[11] Patent Number: Des. 397,146

[45] Date of Patent: ***Aug. 18, 1998

[54] RING BINDER

[75] Inventor: Keung Chan, An Hsin, China

[73] Assignee: Leco Stationery Manufacturing Co., Ltd., Hong Kong, Hong Kong

[*] Notice: The portion of the term of this patent subsequent to Jan. 13, 2012, has been disclaimed.

[**] Term: 14 Years

[21] Appl. No.: 59,930

[22] Filed: Sep. 18, 1996

[30] Foreign Application Priority Data

Jul. 23, 1996 [GB] United Kingdom 2057875

[51] LOC (6) Cl. 19-04

[52] U.S. Cl. D19/32; D19/27

[58] Field of Search D19/26, 27, 32, D19/49, 100; 281/29, 31, 33, 45, 19.2; 402/60, 70, 75, 76, 77, 26, 38, 39, 37, 80 R, 80 P

[56] References Cited

U.S. PATENT DOCUMENTS

D. 325,928 5/1992 Bourgeois D19/27
D. 356,112 3/1995 Constantine D19/32

D. 377,805 2/1997 To D19/32
2,091,188 8/1937 St. Louis D19/32 X
2,801,115 7/1957 Federbush et al. 281/31
3,101,719 8/1963 Vernon 402/38
3,334,920 8/1967 Orth 281/33
3,404,685 10/1968 Vernon 402/41

OTHER PUBLICATIONS

Boorum & Pease, p. 36, See ring binder mechanism, left side of page ©1954.

Primary Examiner—Martie Thompson
Attorney, Agent, or Firm—Dority & Manning, P.A.

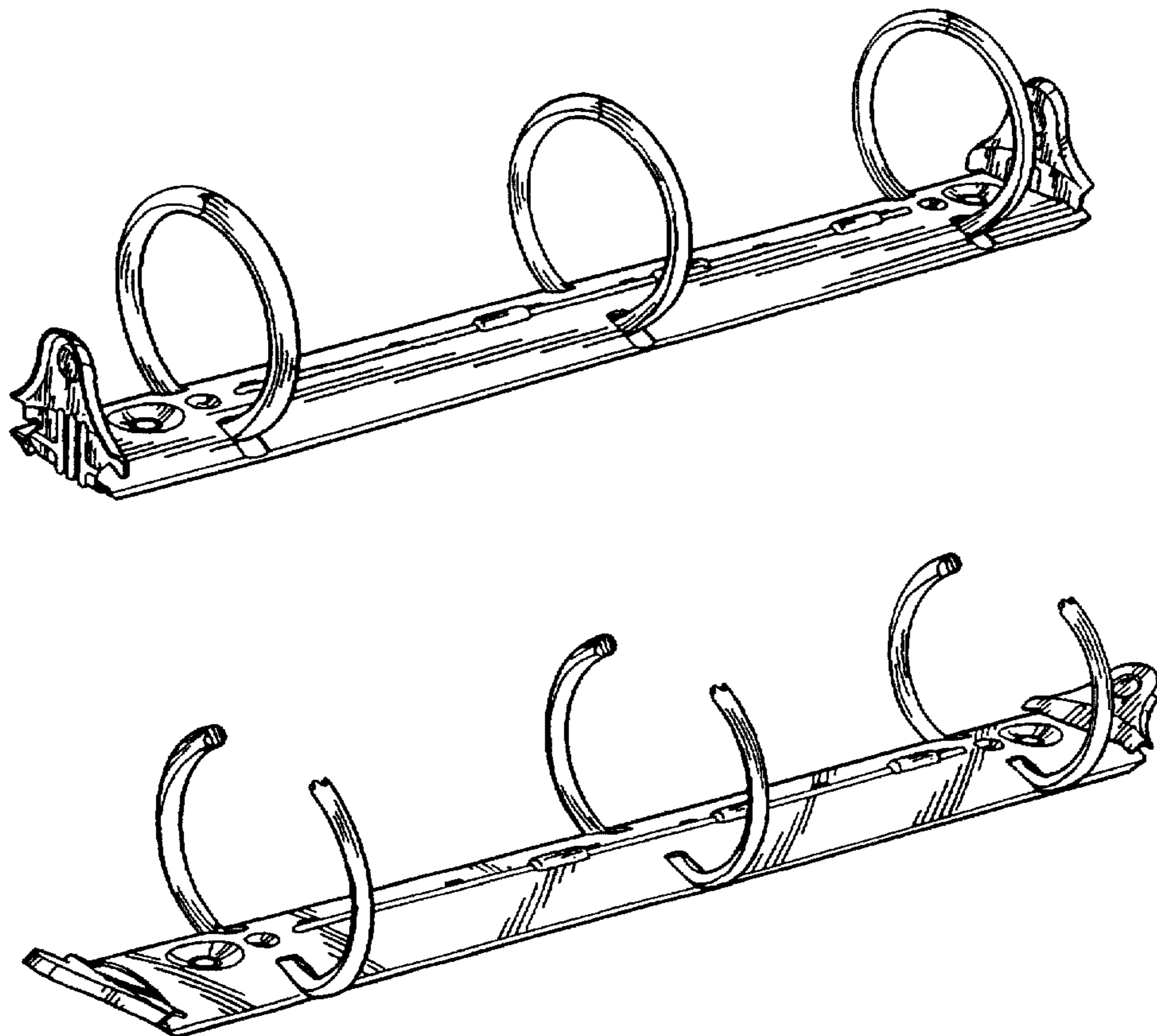
[57] CLAIM

The ornamental design of a ring binder, as shown and described.

DESCRIPTION

FIG. 1 is a perspective view of an embodiment of the ring binder according to the present invention with rings closed; FIG. 2 is a perspective view of a ring binder as in FIG. 1 with rings open; FIG. 3 is a side elevational view of FIG. 1; FIG. 4 is a top plan view of FIG. 1; FIG. 5 is an end elevational view of FIG. 1; FIG. 6 is a side elevational view of the side not shown in FIG. 3; FIG. 7 is a bottom plan view; and, FIG. 8 is an end elevational view of the end not shown in FIG. 5.

1 Claim, 3 Drawing Sheets



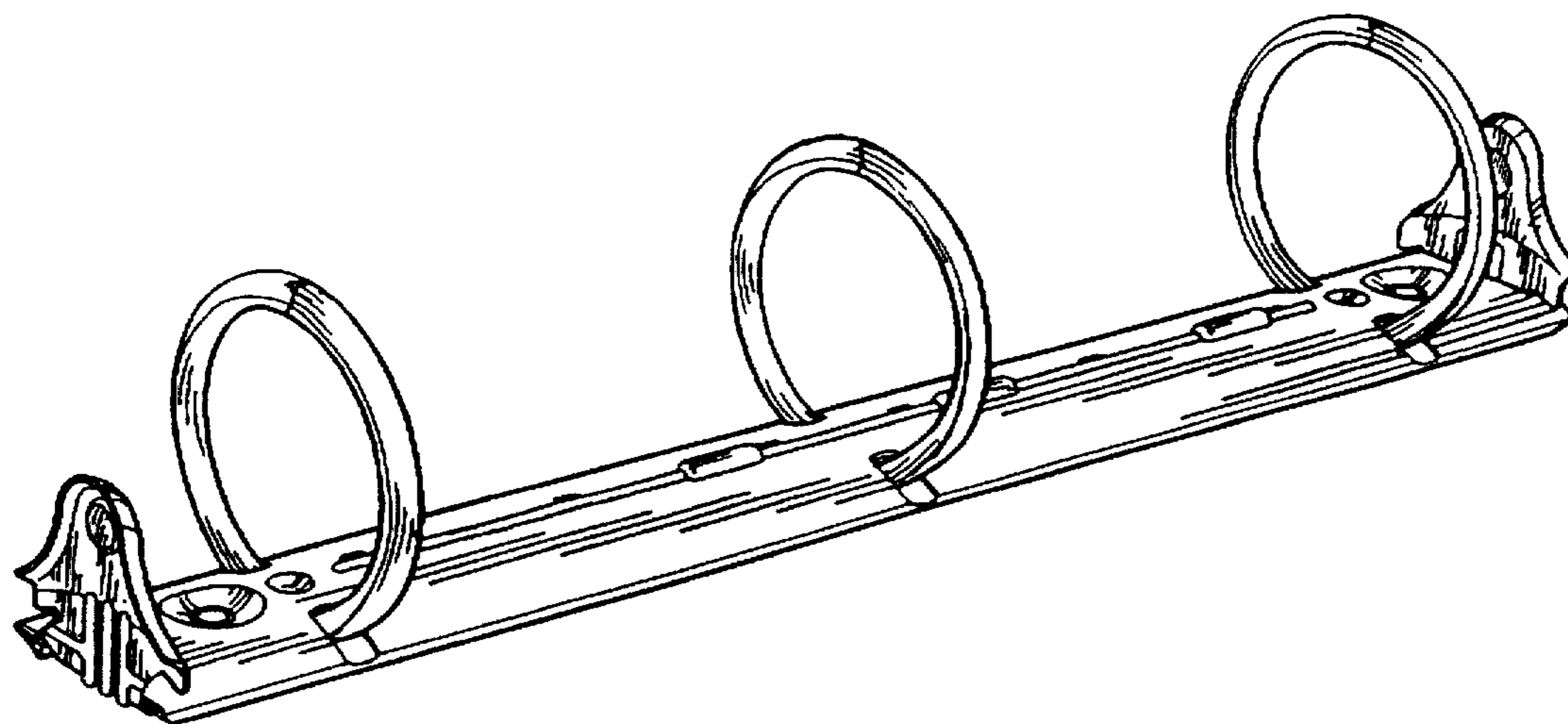


FIG. 1

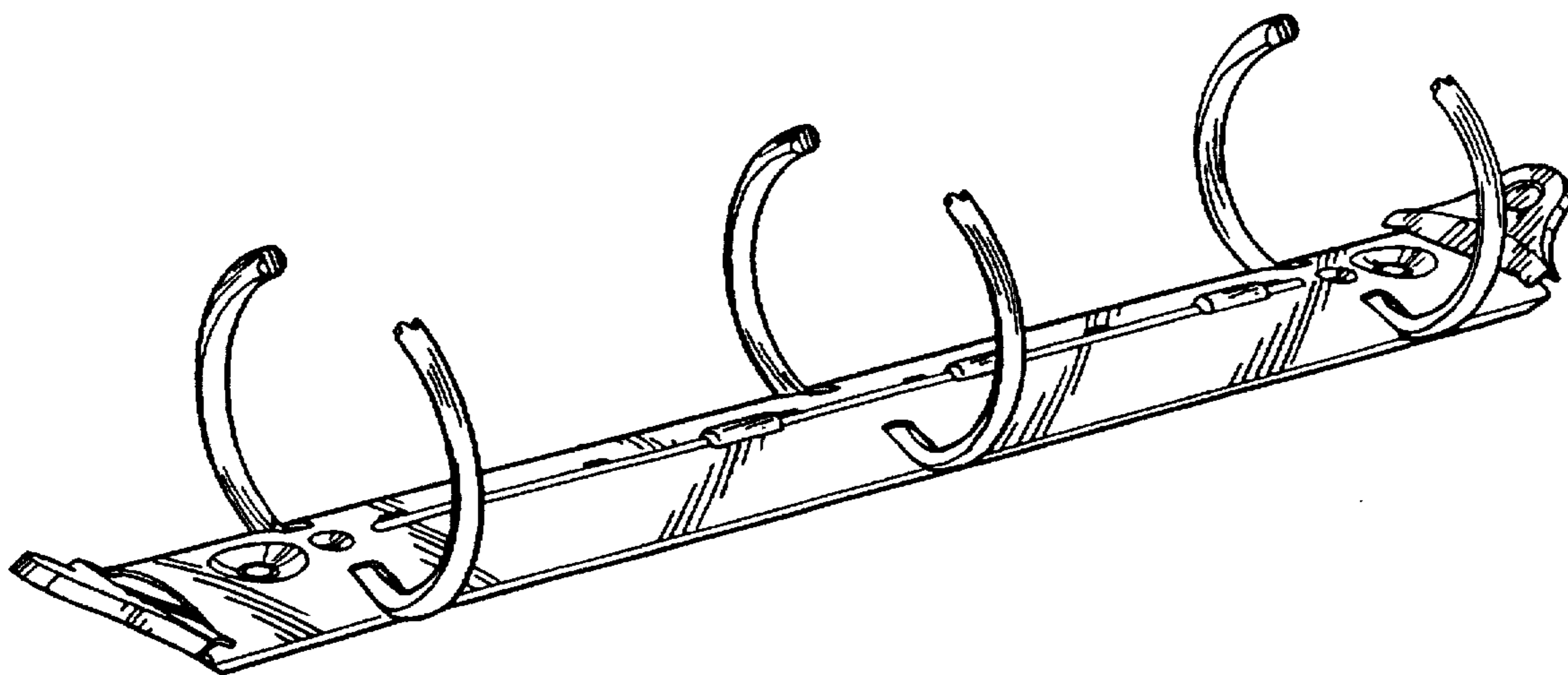


FIG. 2

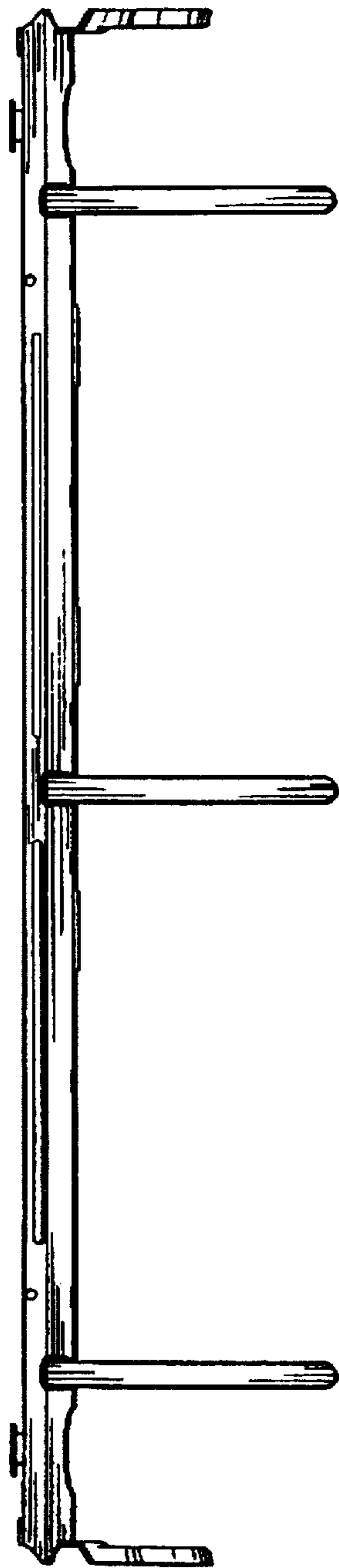


FIG. 3

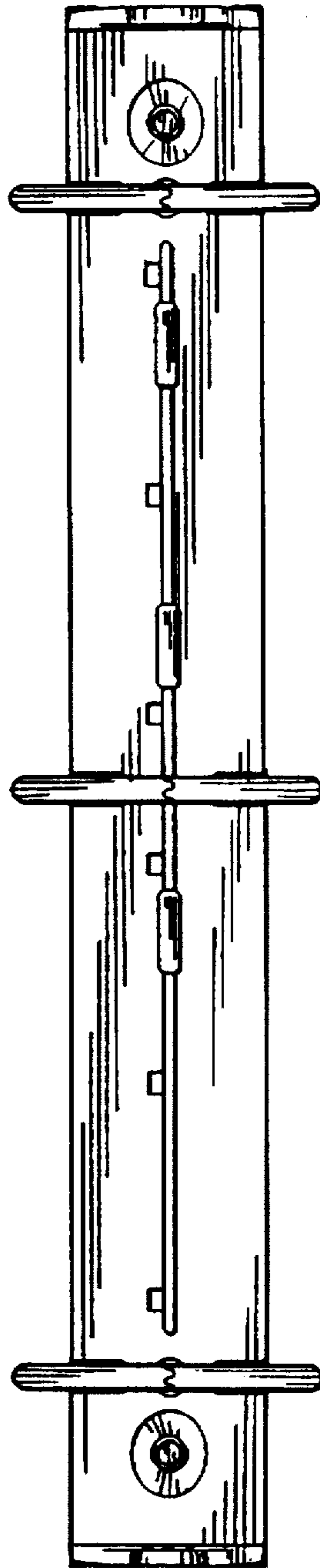


FIG. 4

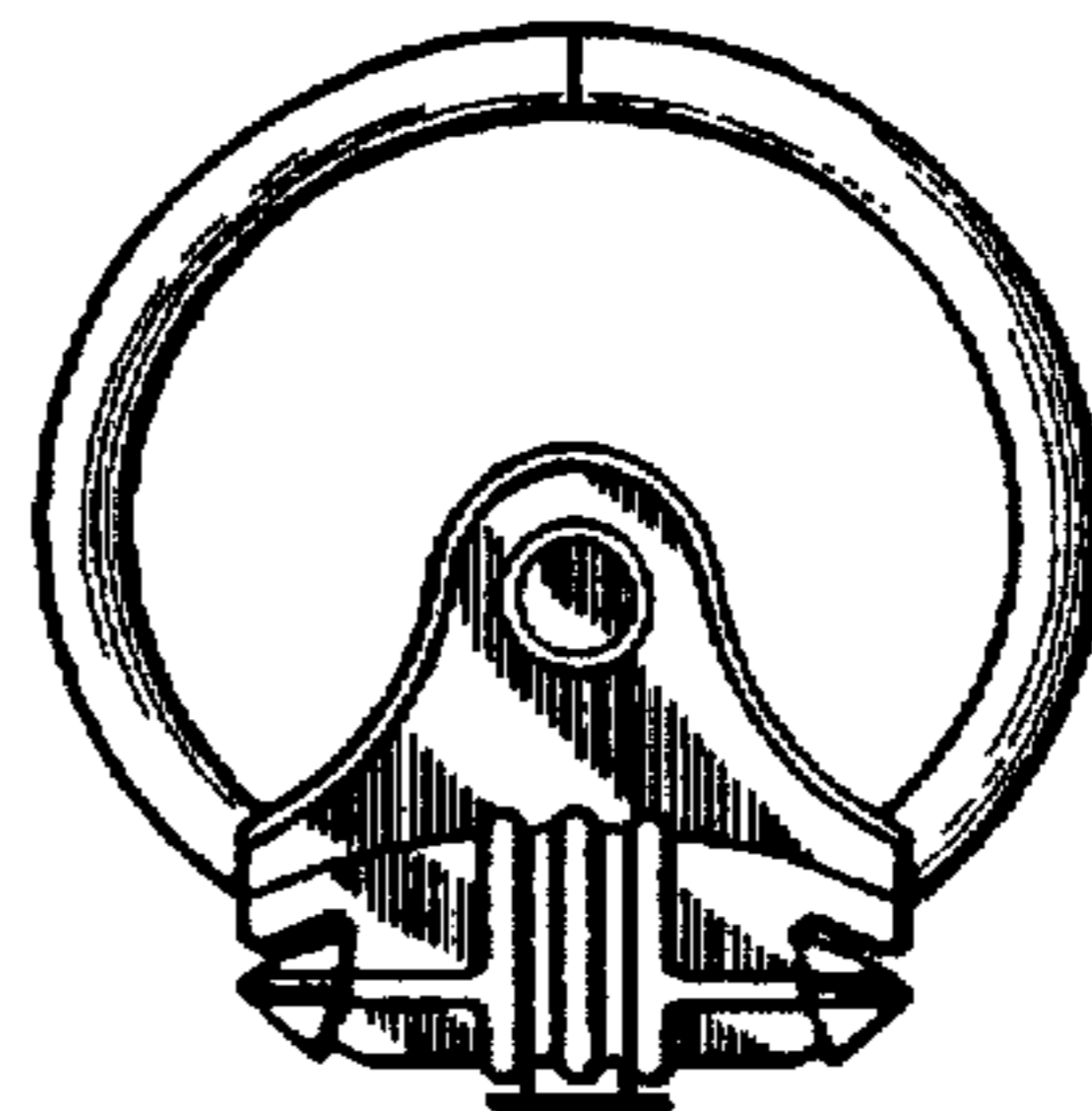


FIG. 5

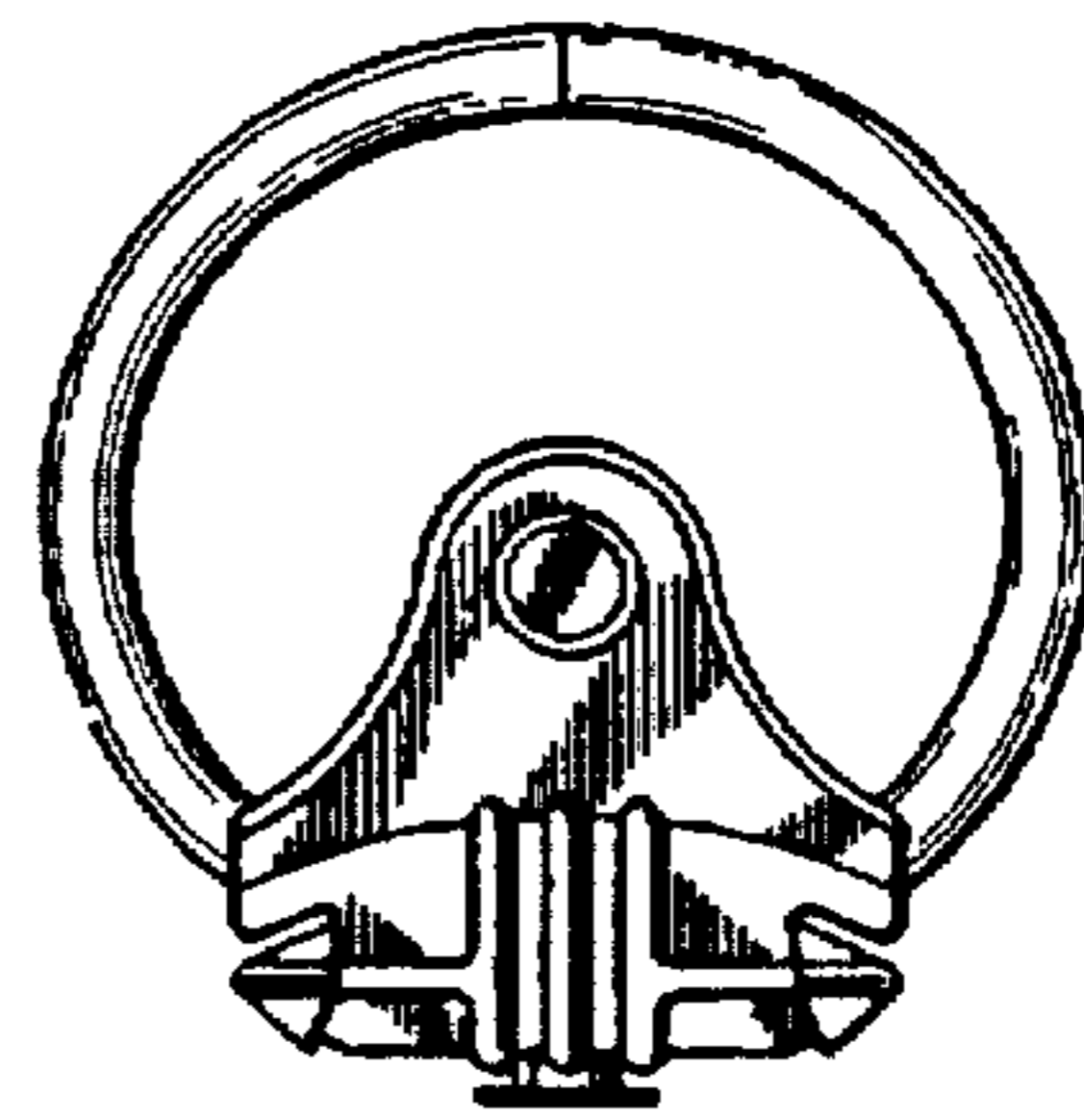


FIG. 8

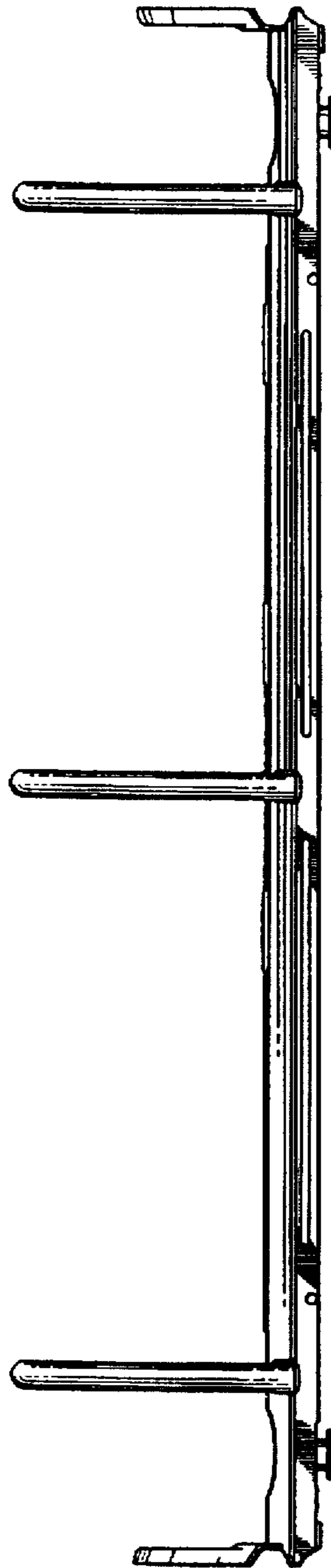


FIG. 6

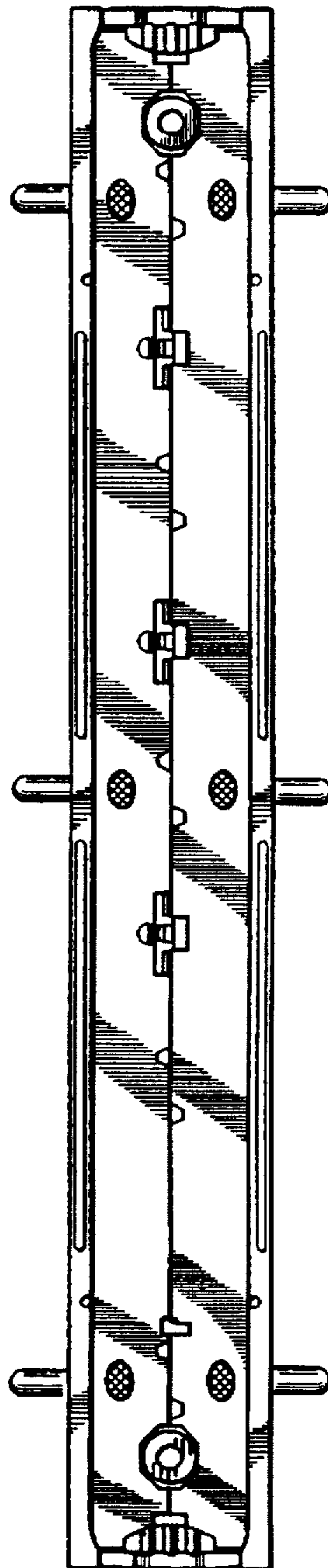


FIG. 7