



US00D397142S

# United States Patent [19]

Hammill et al.

[11] Patent Number: Des. 397,142

[45] Date of Patent: \*\*Aug. 18, 1998

[54] CASSETTE FOR THERMAL TRANSFER RIBBONS

5,246,299 9/1993 Kitsuki et al. .... D18/56 X  
5,352,049 10/1994 Shiraishi et al. .... D18/56 X

[75] Inventors: Susan M. Hammill, Buffalo; James Ibarra, Williamsville; James Karlin, Fairport; Diane M. Kelly, Cambria; William Montague, Williamsville, all of N.Y.

Primary Examiner—Caron D. Veynar  
Attorney, Agent, or Firm—Nixon, Hargrave, Devans & Doyle LLP

[73] Assignee: Imak, Amherst, N.Y.

[\*\*] Term: 14 Years

### [57] CLAIM

The ornamental design for a cassette for thermal transfer ribbons, as shown.

[21] Appl. No.: 63,291

### DESCRIPTION

[22] Filed: Dec. 4, 1996

FIG. 1 is a perspective view of a cassette for thermal transfer ribbons embodying our design;

[51] LOC (6) Cl. .... 18-02

FIG. 2 is a top view of the cassette for thermal transfer ribbons;

[52] U.S. Cl. .... D18/56; D18/12

FIG. 3 is a left side view of the cassette for thermal transfer ribbons;

[58] Field of Search .... D18/40, 43, 56; 347/43, 44, 86; 400/207, 208, 234

FIG. 4 is a bottom view of the cassette for thermal transfer ribbons;

### [56] References Cited

#### U.S. PATENT DOCUMENTS

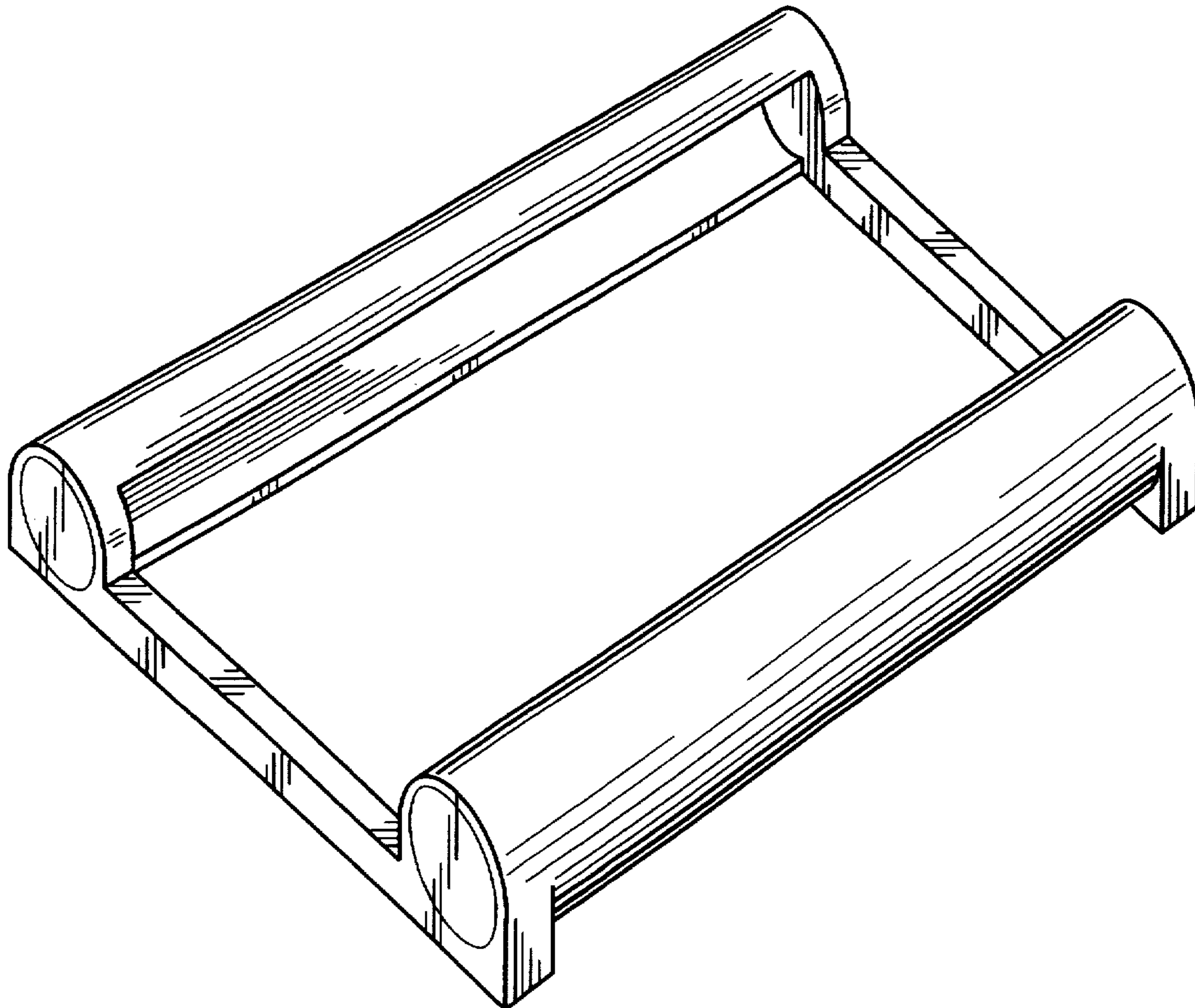
D. 327,495	6/1992	Nagai	.....	D18/56
D. 334,585	4/1993	Okauchi	.....	D18/40
D. 356,819	3/1995	Stempien	.....	D18/56
D. 361,592	8/1995	Niwano	.....	D18/56
D. 367,885	3/1996	Ikenaga	.....	D18/56

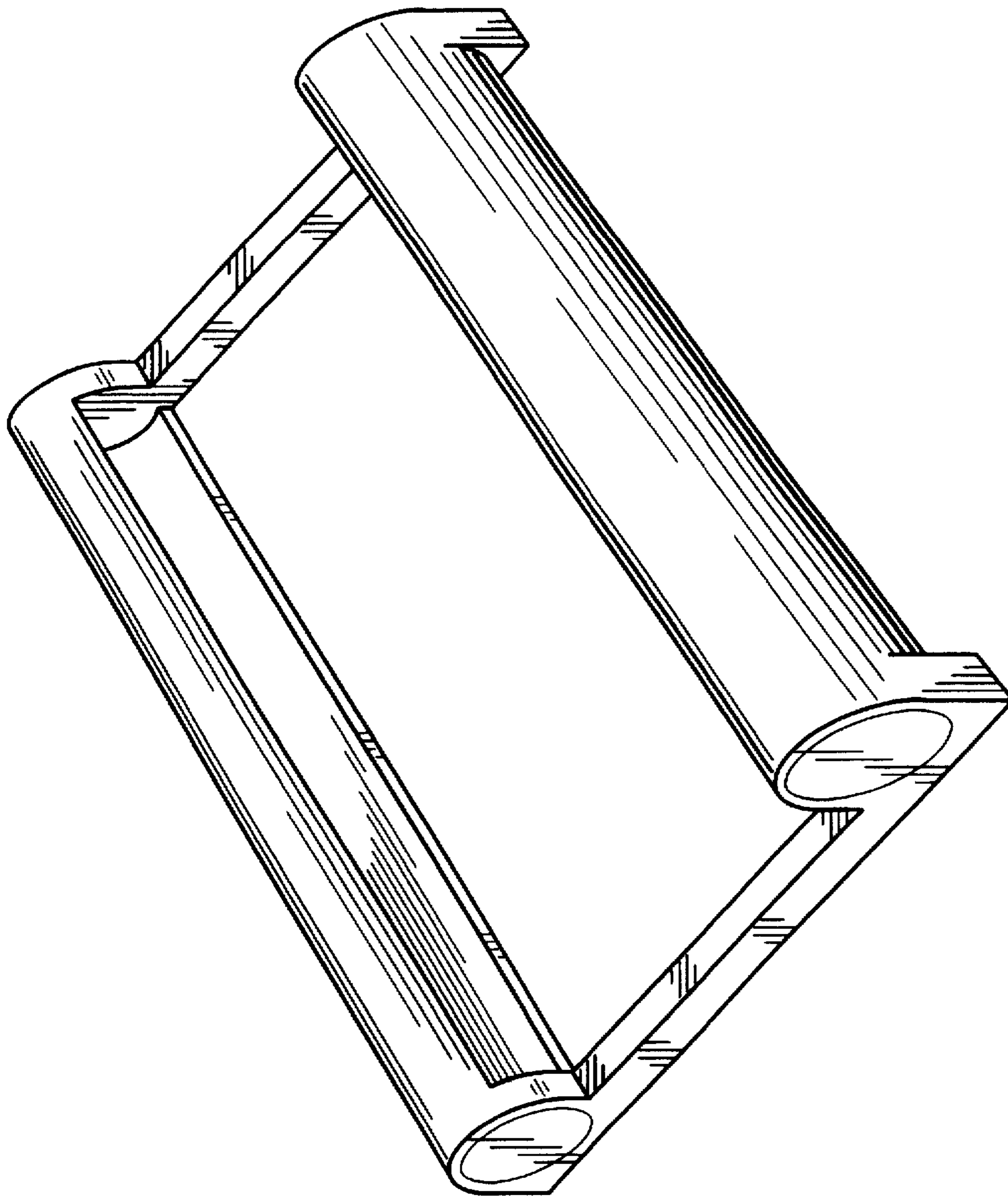
FIG. 5 is a right side view of cassette for thermal transfer ribbons;

FIG. 6 is a front view of the cassette for thermal transfer ribbons; and,

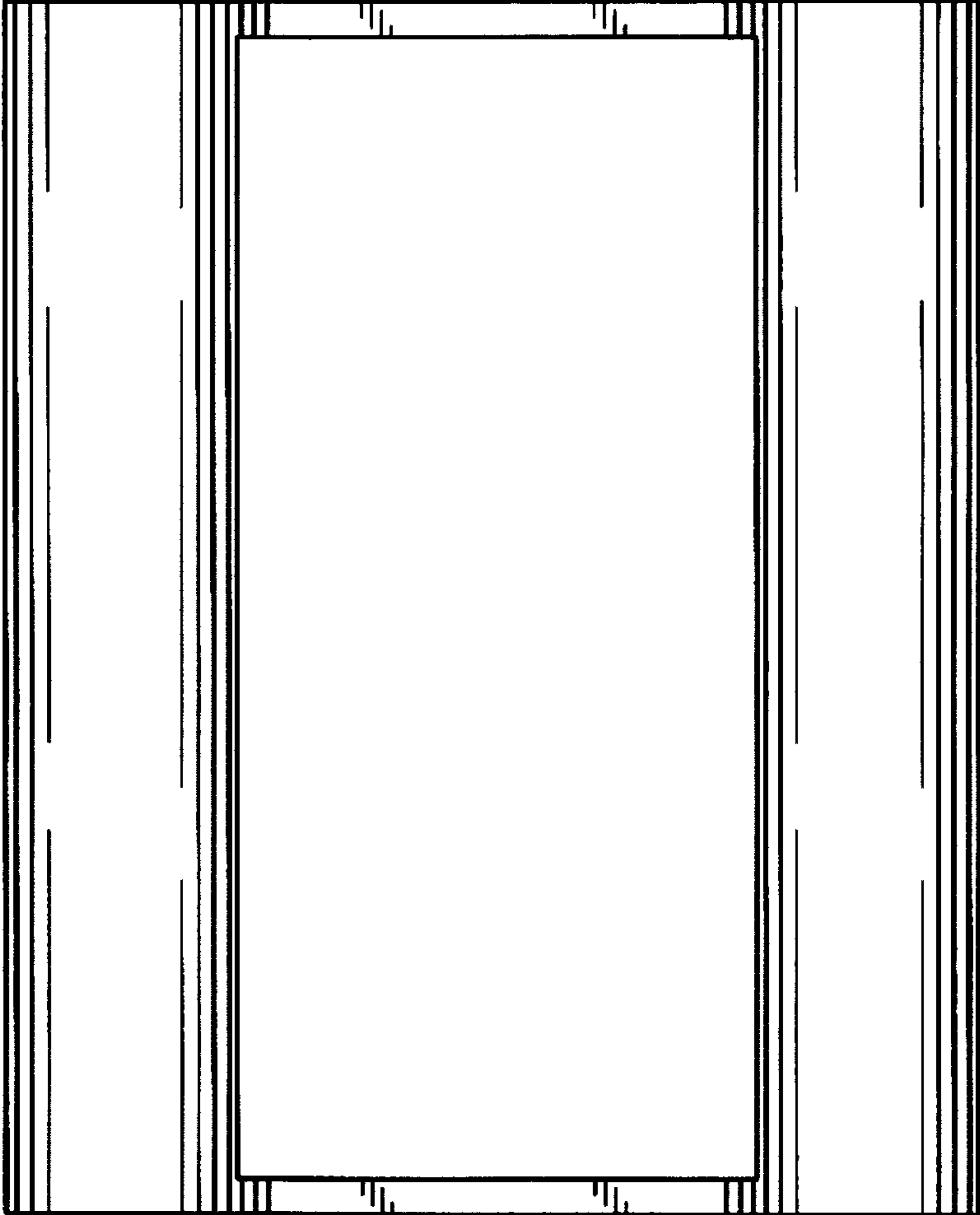
FIG. 7 is a back view of the cassette for thermal transfer ribbons.

1 Claim, 4 Drawing Sheets





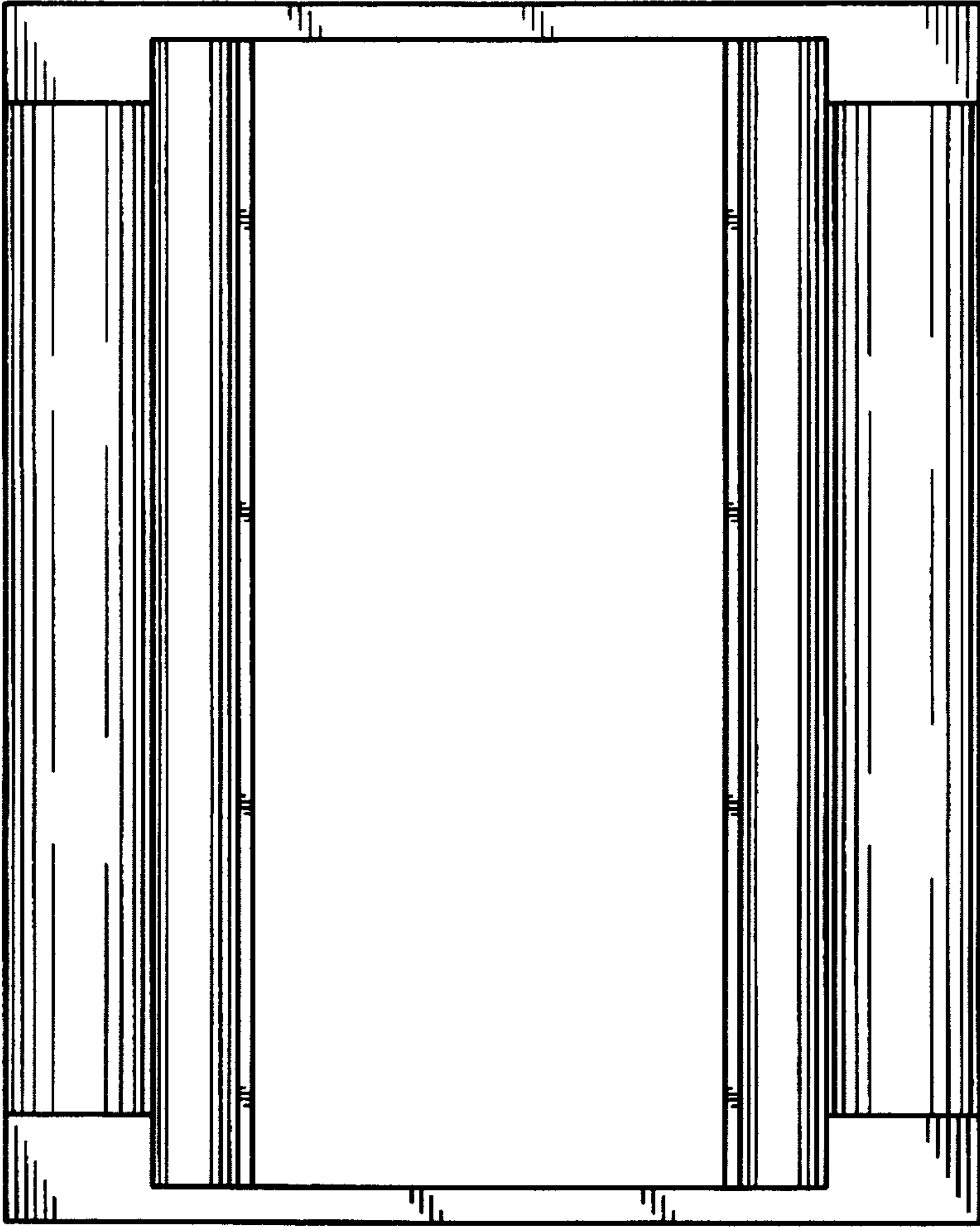
**FIG. 1**



**FIG. 2**



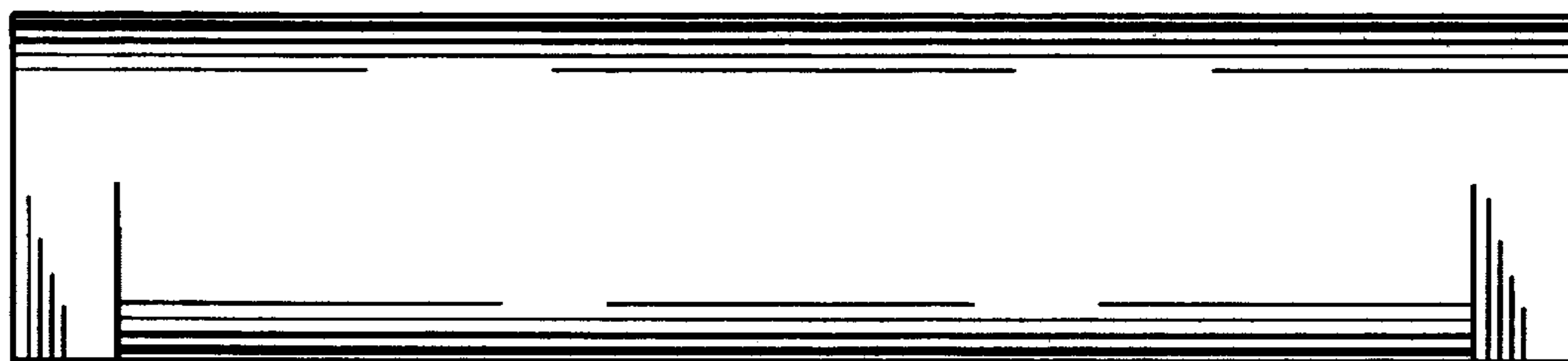
**FIG. 3**



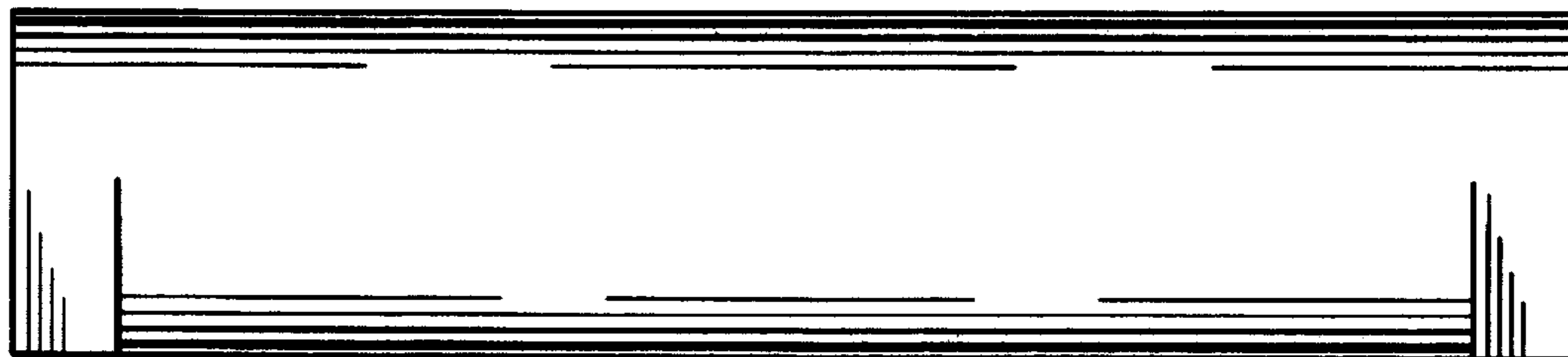
**FIG. 4**



**FIG. 5**



**FIG. 6**



**FIG. 7**