



US00D397140S

United States Patent [19]
Oshida

[11] **Patent Number: Des. 397,140**
[45] **Date of Patent: **Aug. 18, 1998**

[54] **IMAGE FORMING APPARATUS**

[75] **Inventor: Hideo Oshida, Iwatsuki, Japan**

[73] **Assignee: Fuji Xerox Co., Ltd., Tokyo, Japan**

[**] **Term: 14 Years**

[21] **Appl. No.: 65,012**

[22] **Filed: Jan. 16, 1997**

[30] **Foreign Application Priority Data**

Jul. 29, 1996 [JP] Japan 8-22461

[51] **LOC (6) Cl. 16-03**

[52] **U.S. Cl. D18/40; D18/43**

[58] **Field of Search D18/40, 43, 56,
D18/36; 118/653, 657; 222/DIG. 1, 166,
240, 325, 541; 399/24, 25, 31, 119, 130,
131**

[56] **References Cited**

U.S. PATENT DOCUMENTS

D. 286,542 11/1986 Saito D18/43

D. 357,272 4/1995 Tokuda et al. D18/40 X
D. 374,455 10/1996 Senshiki 18/40 X
4,605,299 8/1986 Mochimaru D18/43 X

*Primary Examiner—Caron D. Veynar
Attorney, Agent, or Firm—Oliff & Berridge, PLC*

[57] **CLAIM**

The ornamental design for an image forming apparatus, as shown and described.

DESCRIPTION

FIG. 1 is a perspective view of the top, front and left side of an image forming apparatus showing my new design;
FIG. 2 is a front view thereof;
FIG. 3 is a top plan view thereof;
FIG. 4 is a right side view thereof;
FIG. 5 is a left side view thereof;
FIG. 6 is a rear view thereof; and,
FIG. 7 is a bottom view thereof.

1 Claim, 6 Drawing Sheets

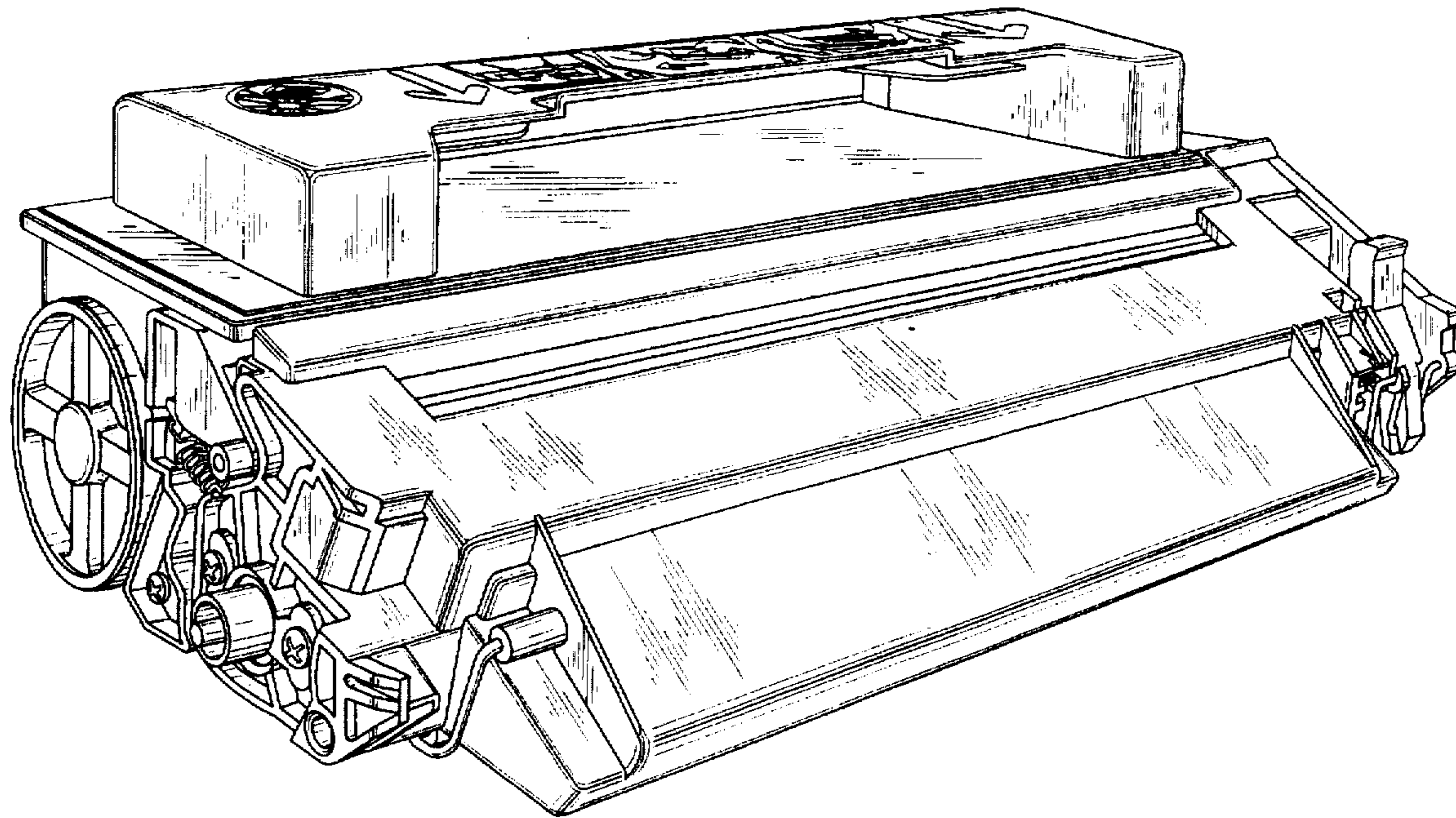


FIG. 1

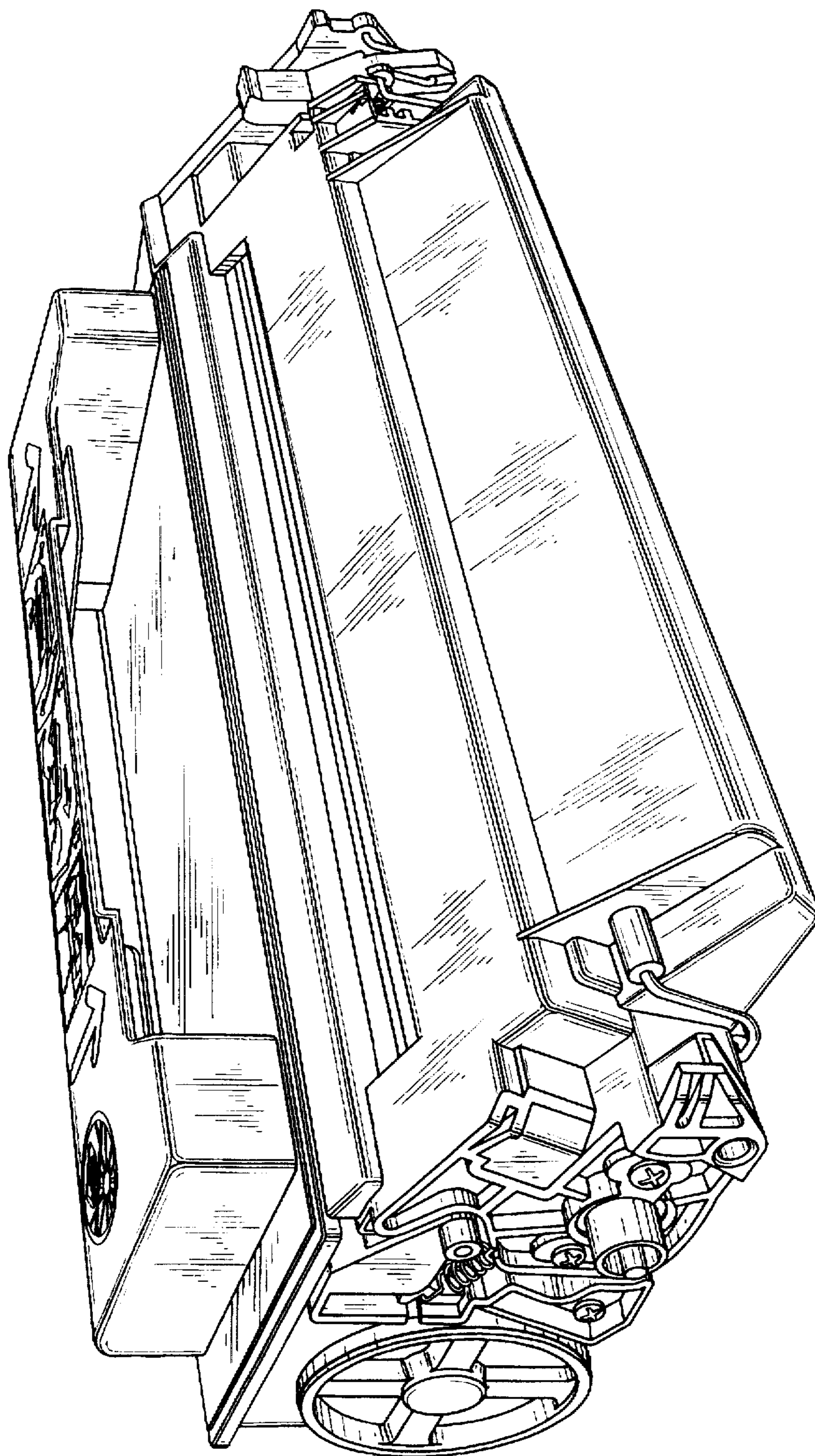


FIG. 2

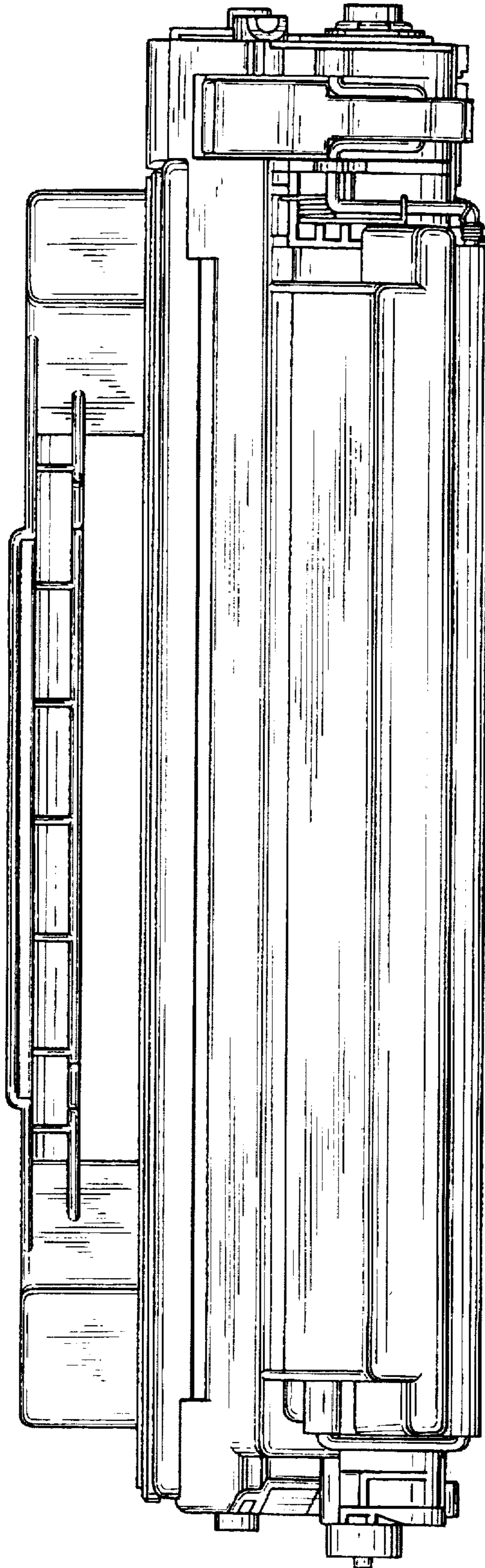


FIG. 3

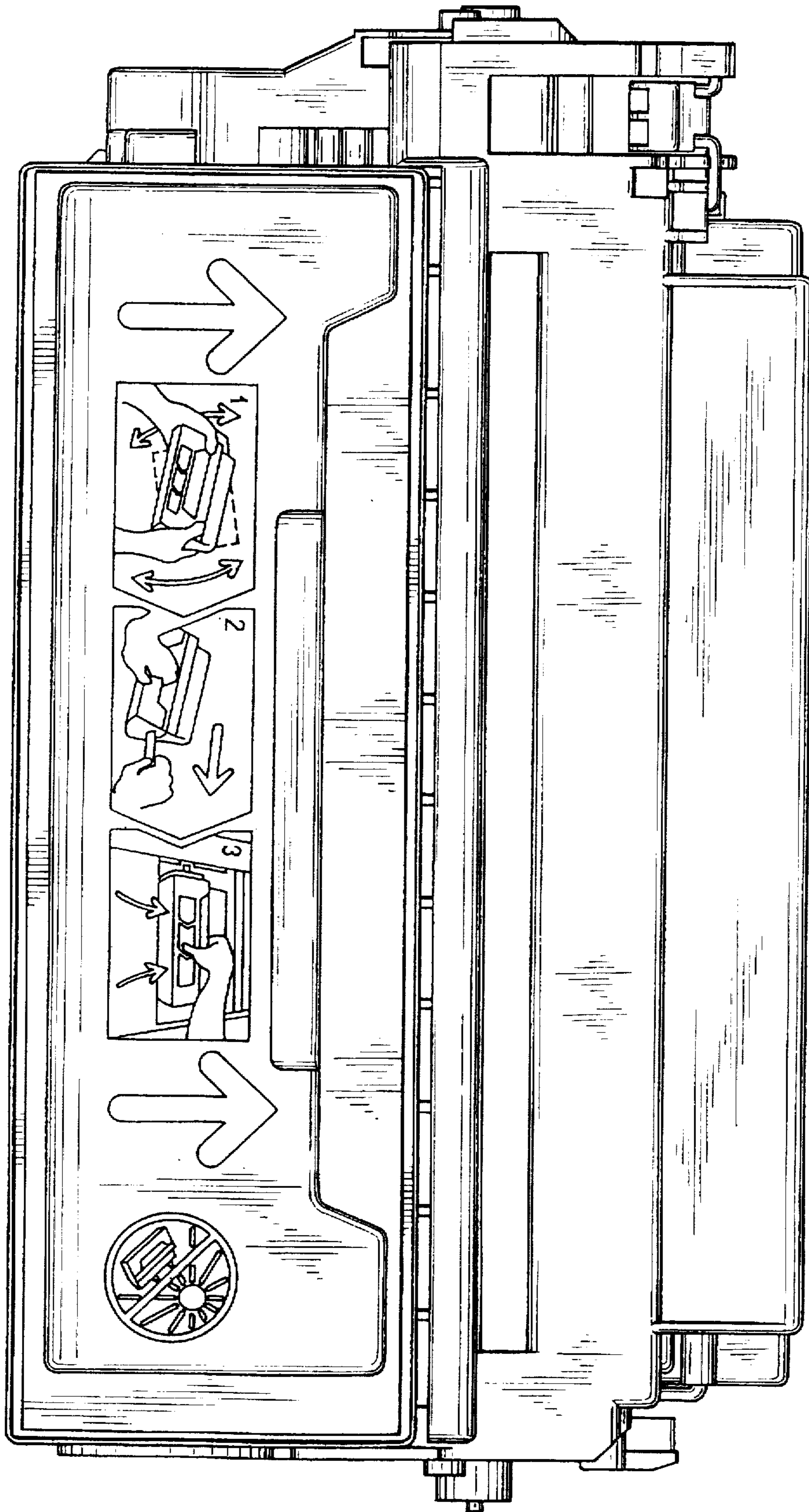


FIG. 4

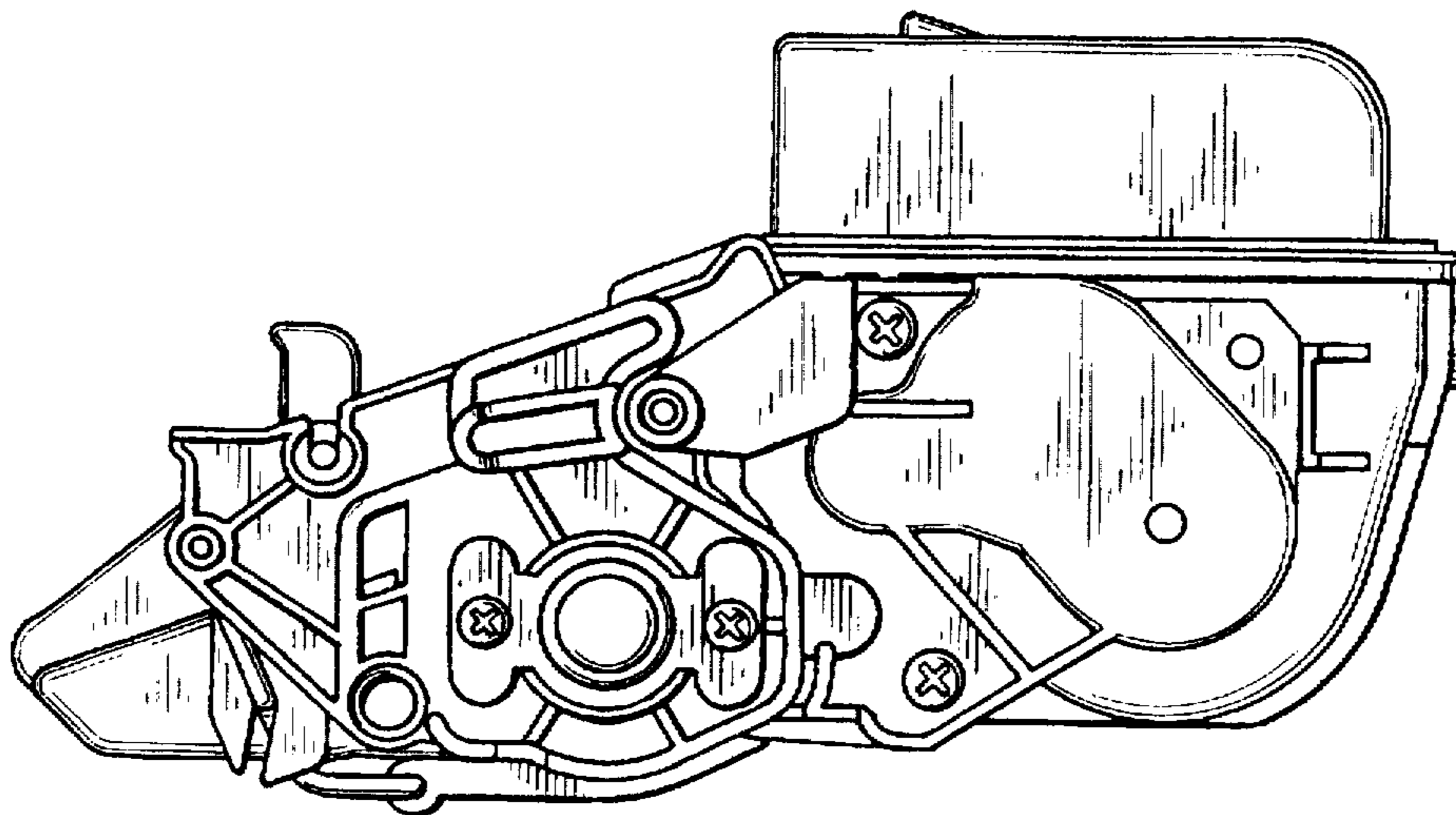


FIG. 5

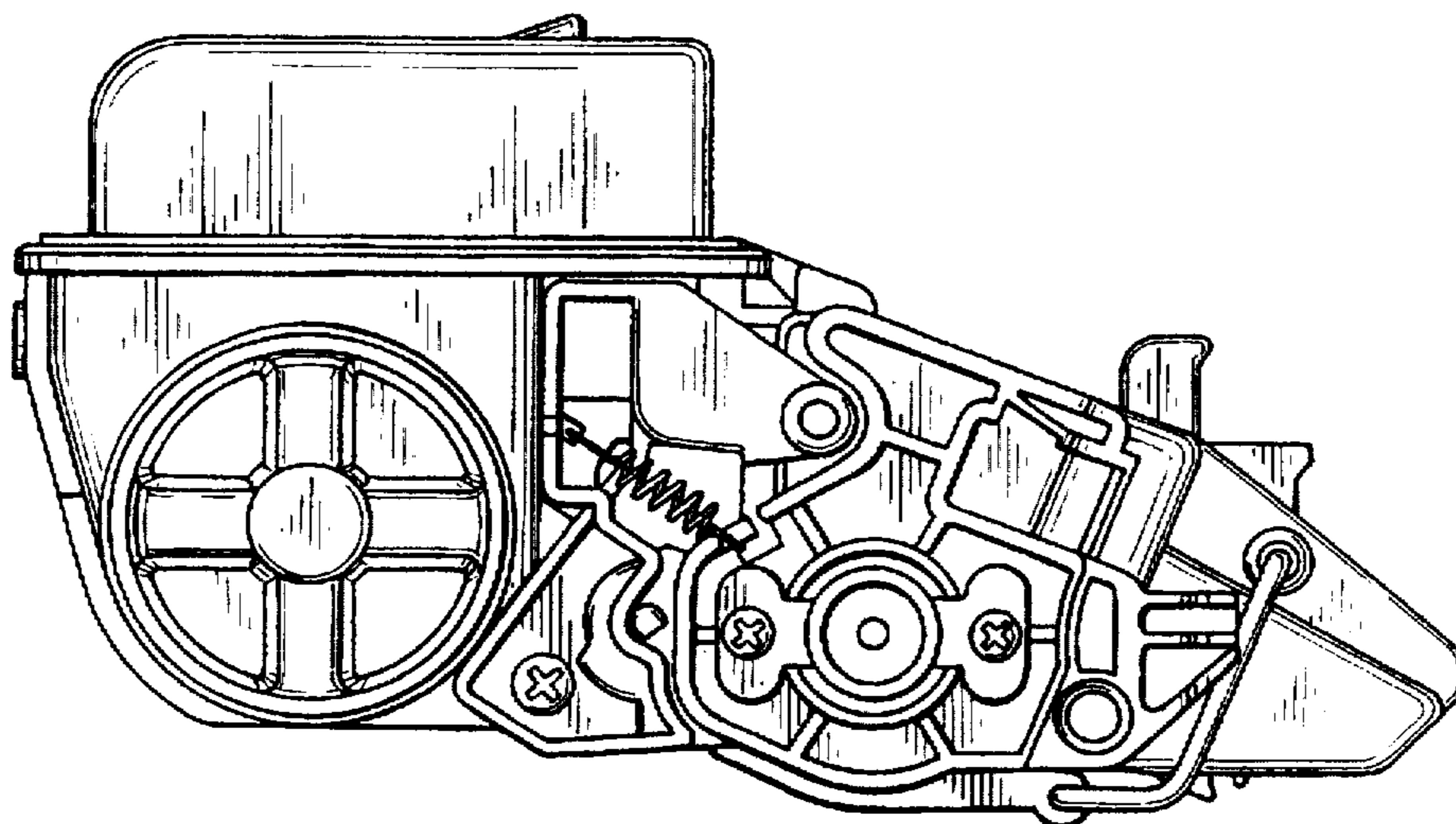


FIG. 6

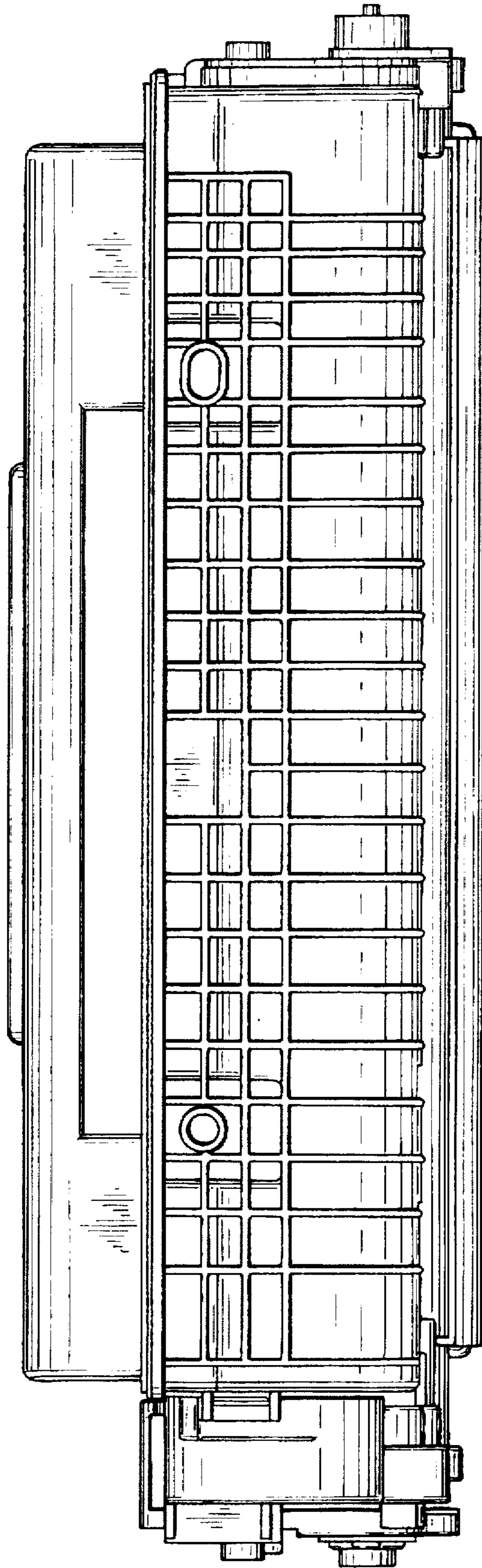


FIG. 7

