



US00D397139S

**United States Patent** [19]  
**Shiba**

[11] **Patent Number: Des. 397,139**

[45] **Date of Patent: \*\*Aug. 18, 1998**

[54] **STAMP WITH REMOVABLE COVER**

[75] **Inventor: Hiroyuki Shiba, Tokyo, Japan**

[73] **Assignee: Data East Kabushiki Kaisha, Tokyo, Japan**

[\*\*] **Term: 14 Years**

[21] **Appl. No.: 74,270**

[22] **Filed: Jul. 31, 1997**

[51] **LOC (6) Cl. .... 19-02**

[52] **U.S. Cl. .... D18/15; D18/14**

[58] **Field of Search .... D18/14, 15, 18, D18/19; D19/65; 101/327, 333, 334, 405, 406; 401/199**

[56] **References Cited**

**U.S. PATENT DOCUMENTS**

D. 201,922	8/1965	Harris et al. ....	D18/15
D. 326,865	6/1992	Satoh ....	D18/15
D. 348,898	7/1994	Nagasawa ....	D18/15
D. 378,827	4/1997	Uchiyama ....	D18/15

*Primary Examiner*—Cathy Anne MacCormac

*Assistant Examiner*—Gregory Andoll

*Attorney, Agent, or Firm*—Jacobson, Price, Holman & Stern, PLLC

[57] **CLAIM**

The ornamental design for a stamp with removable cover, as shown and described.

**DESCRIPTION**

FIG. 1 is a perspective view showing my new design for a stamp with removable cover;

FIG. 2 is a top plan view thereof;

FIG. 3 is a bottom plan view thereof;

FIG. 4 is a left side view thereof, the right side view being a mirror image thereof;

FIG. 5 is a front view thereof, the back view being a mirror image thereof;

FIG. 6 is a perspective view of FIG. 1 with the cover removed;

FIG. 7 is a top plan view of FIG. 6;

FIG. 8 is a bottom plan view of the FIG. 6;

FIG. 9 is a left side view of FIG. 6, the right side view being a mirror image thereof;

FIG. 10 is a front view of FIG. 6, the back view being a mirror image thereof;

FIG. 11 is a perspective view showing another embodiment of FIG. 1;

FIG. 12 is a top plan view of FIG. 11;

FIG. 13 is a bottom plan view of FIG. 11;

FIG. 14 is a right side view of FIG. 11;

FIG. 15 is a left side view of FIG. 11;

FIG. 16 is a front view of FIG. 11;

FIG. 17 is a back view of FIG. 11;

FIG. 18 is a perspective view of FIG. 11 with the cover removed;

FIG. 19 is a top plan view of FIG. 18;

FIG. 20 is a bottom plan view of FIG. 18;

FIG. 21 is a right side view of FIG. 18;

FIG. 22 is a left side view of FIG. 18;

FIG. 23 is a front view of FIG. 18; and,

FIG. 24 is a back view of FIG. 18.

**1 Claim, 5 Drawing Sheets**

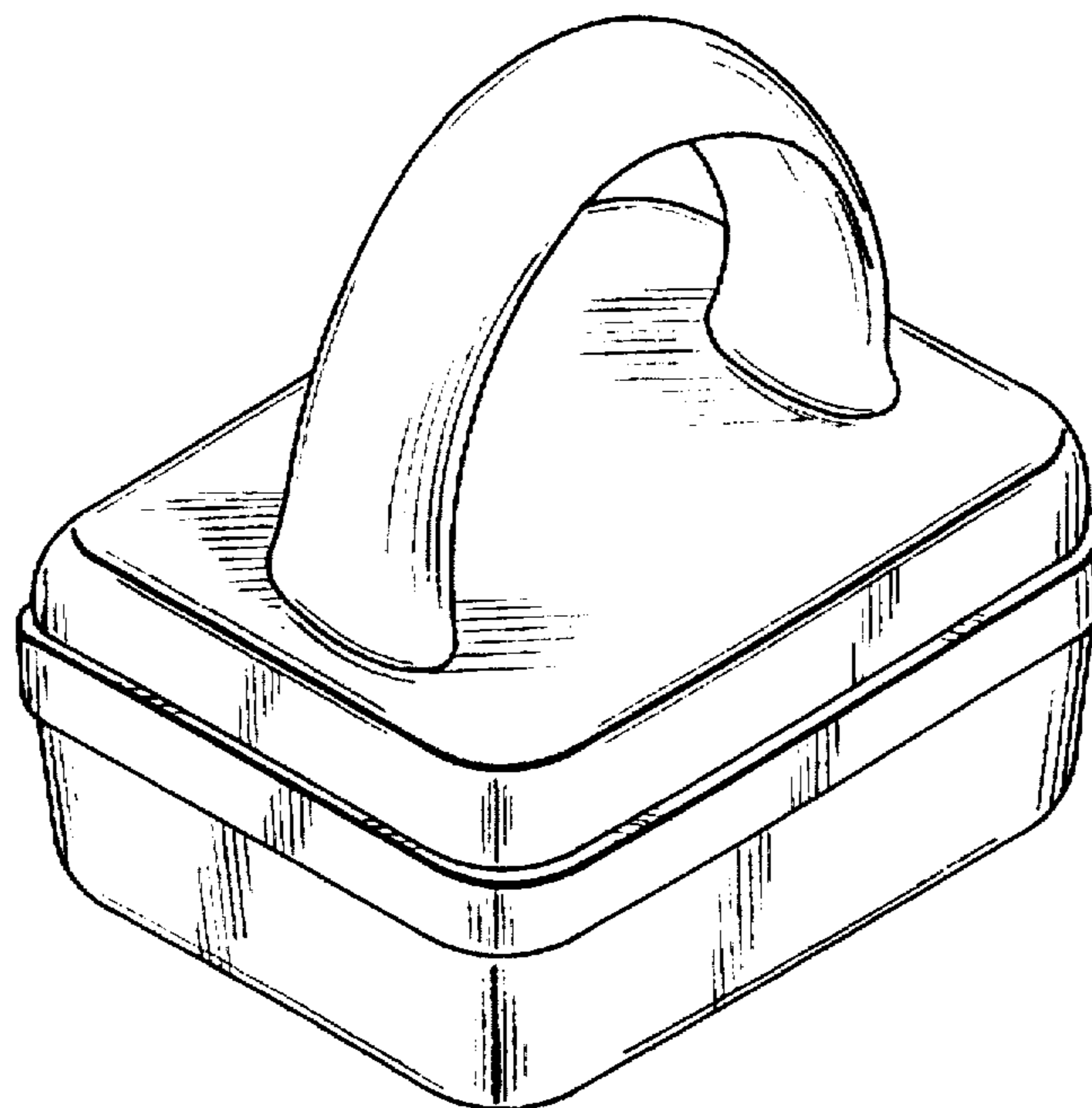


FIG. 1

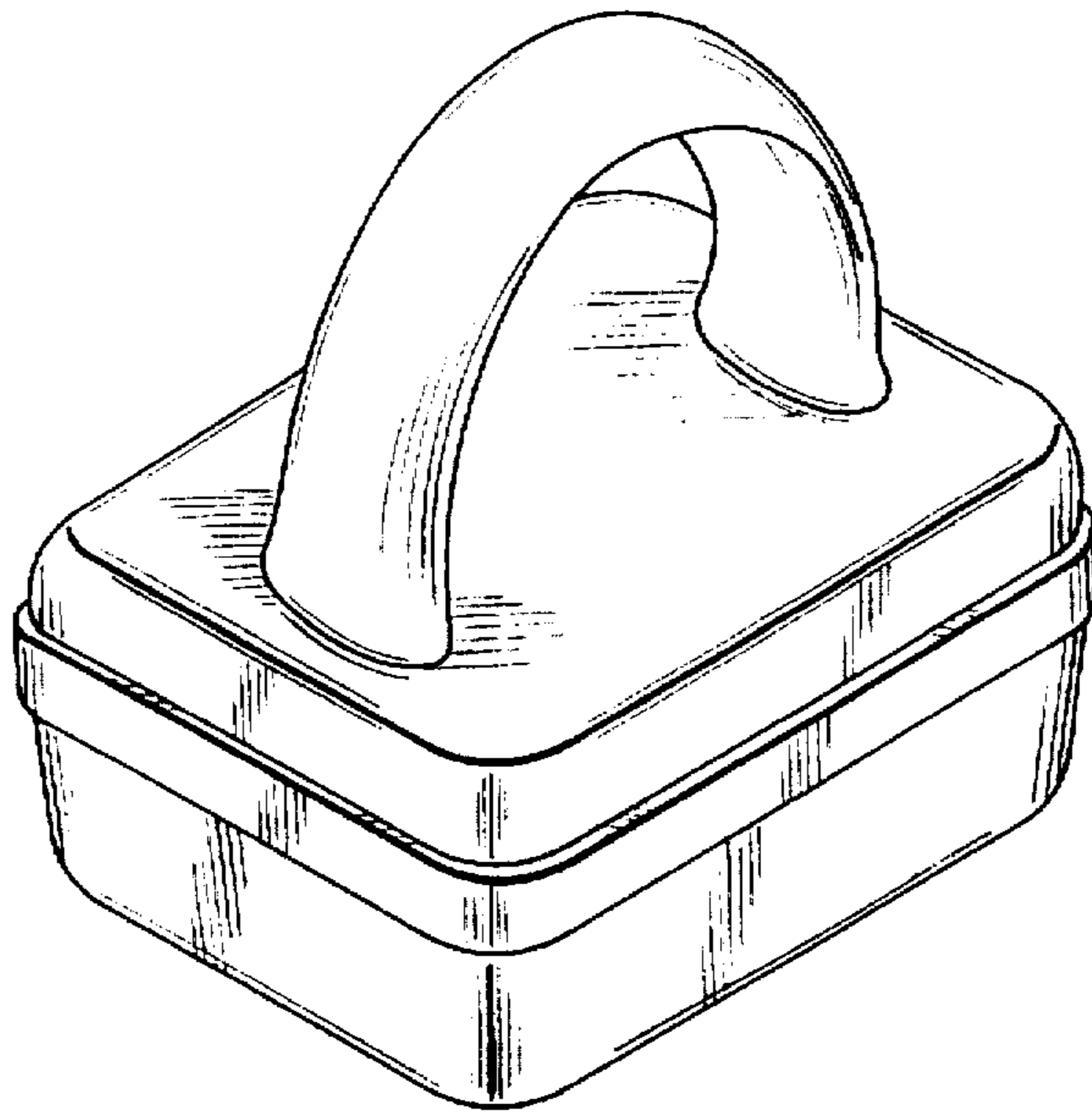


FIG. 2

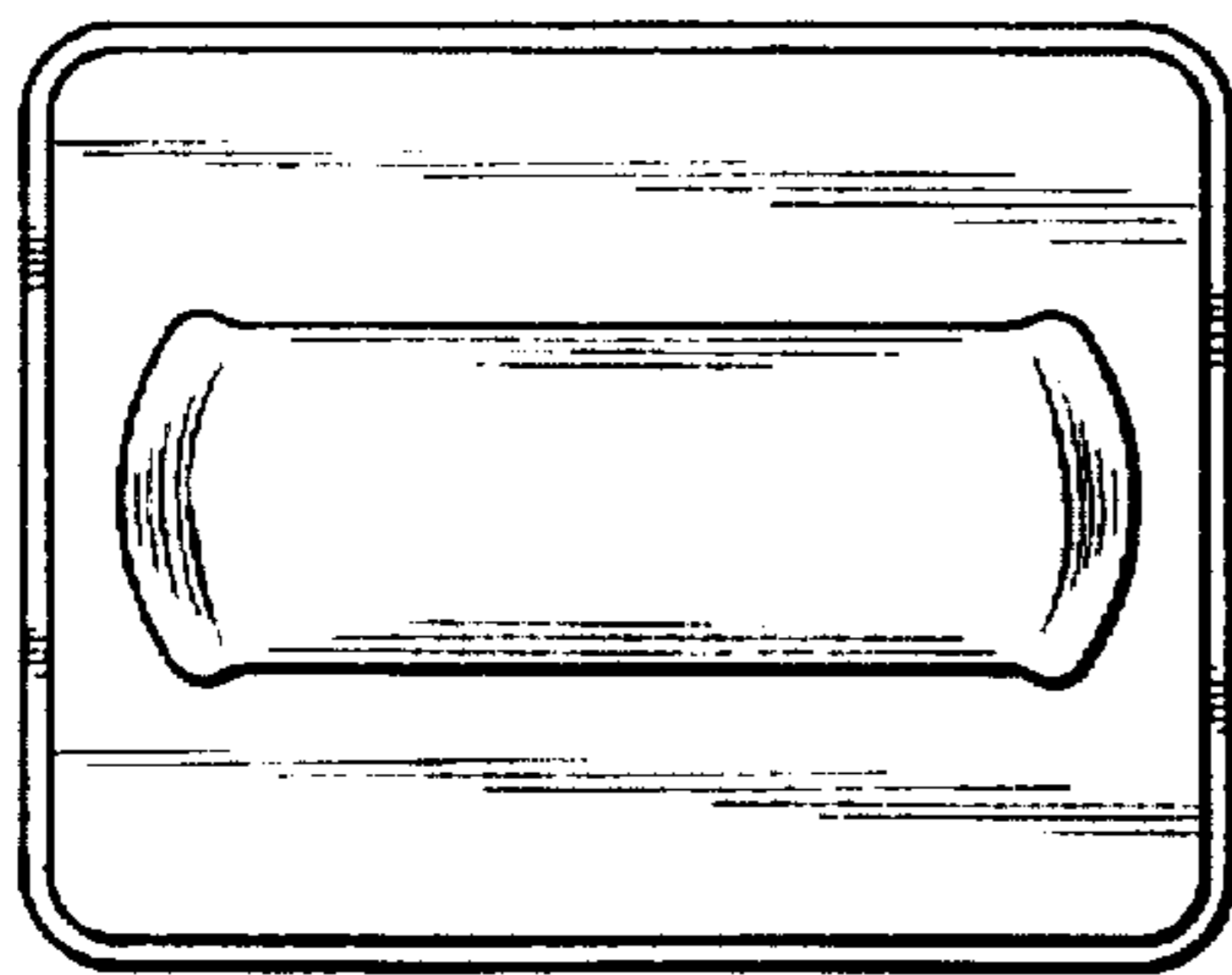


FIG. 3

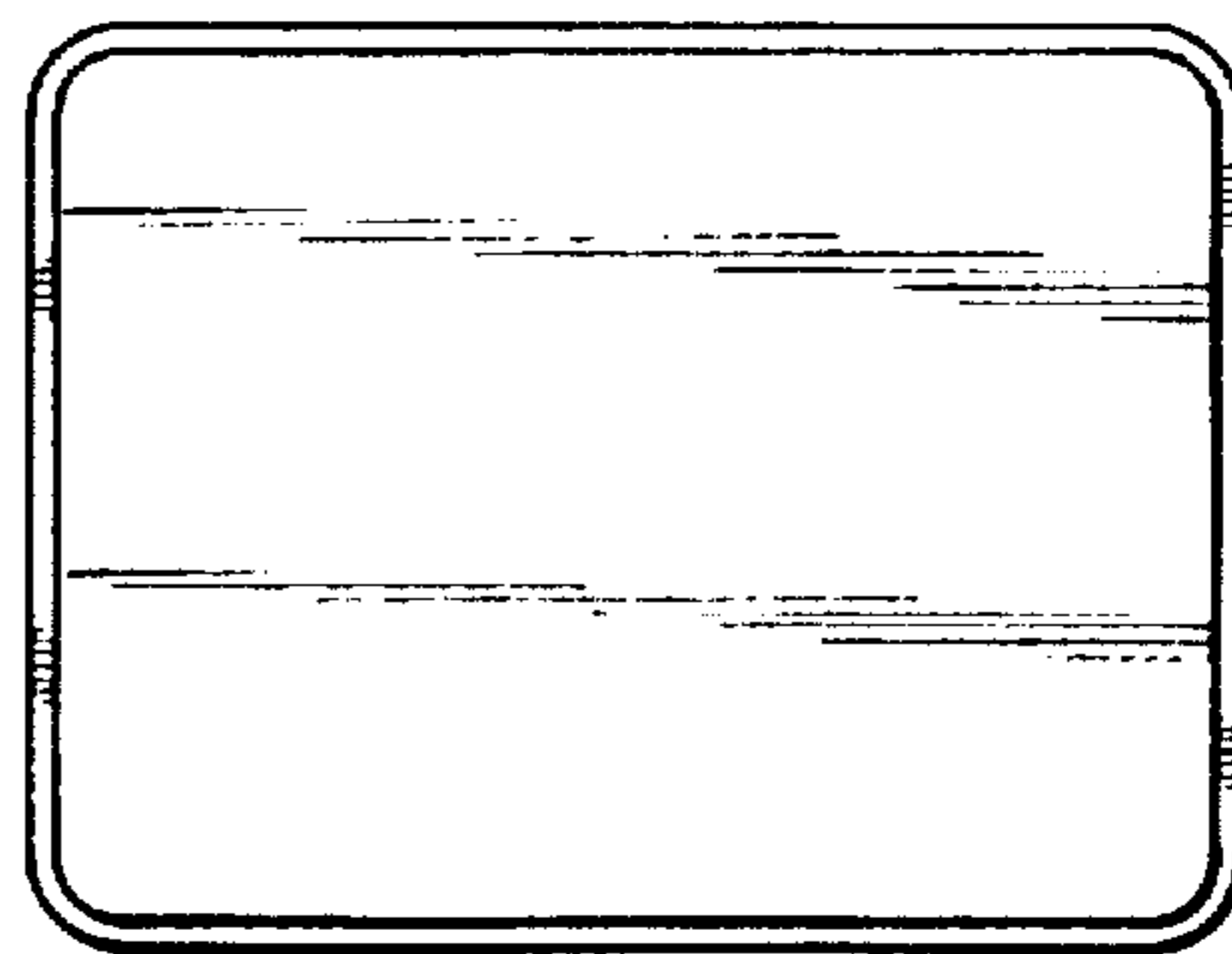


FIG. 4

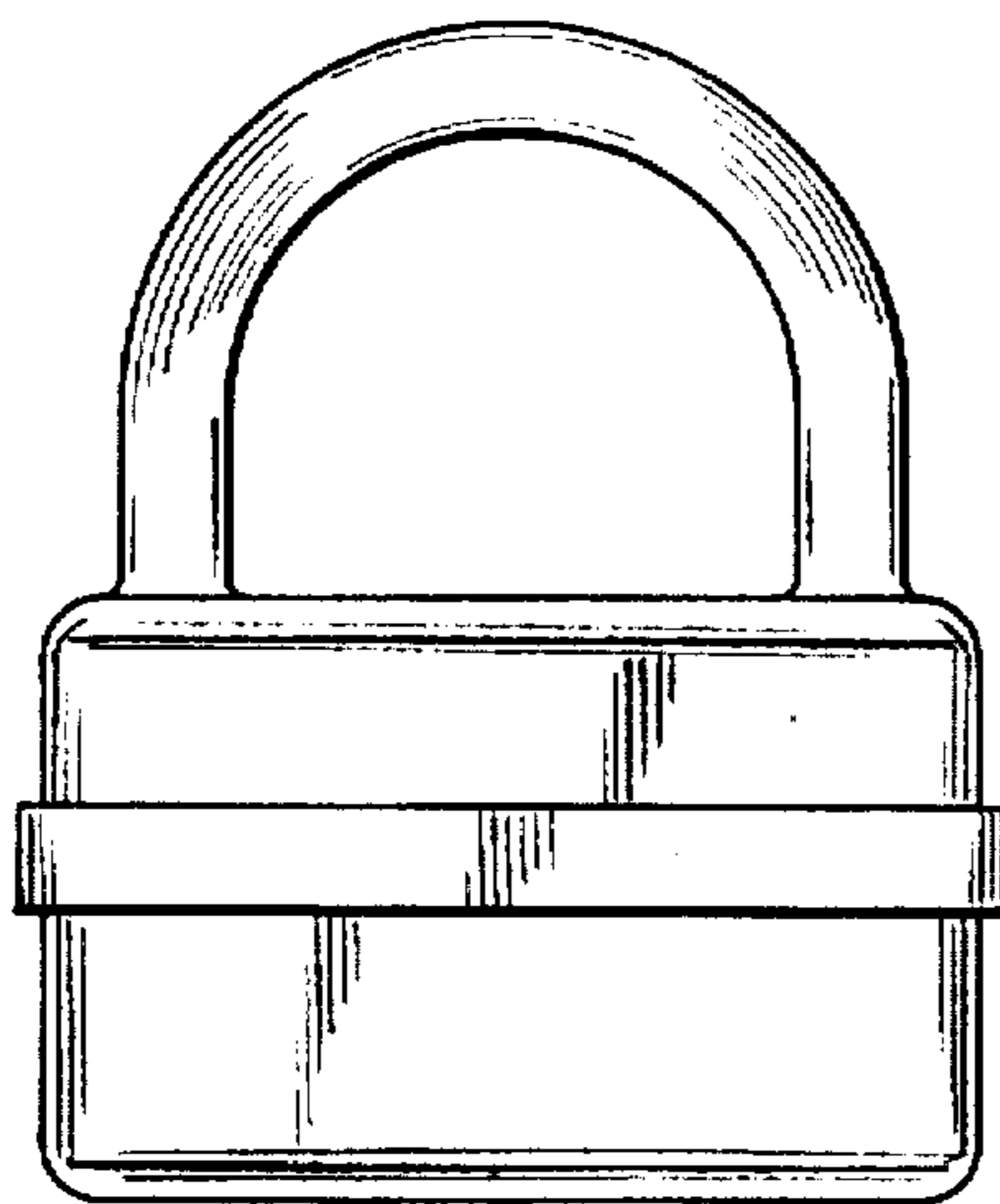


FIG. 5

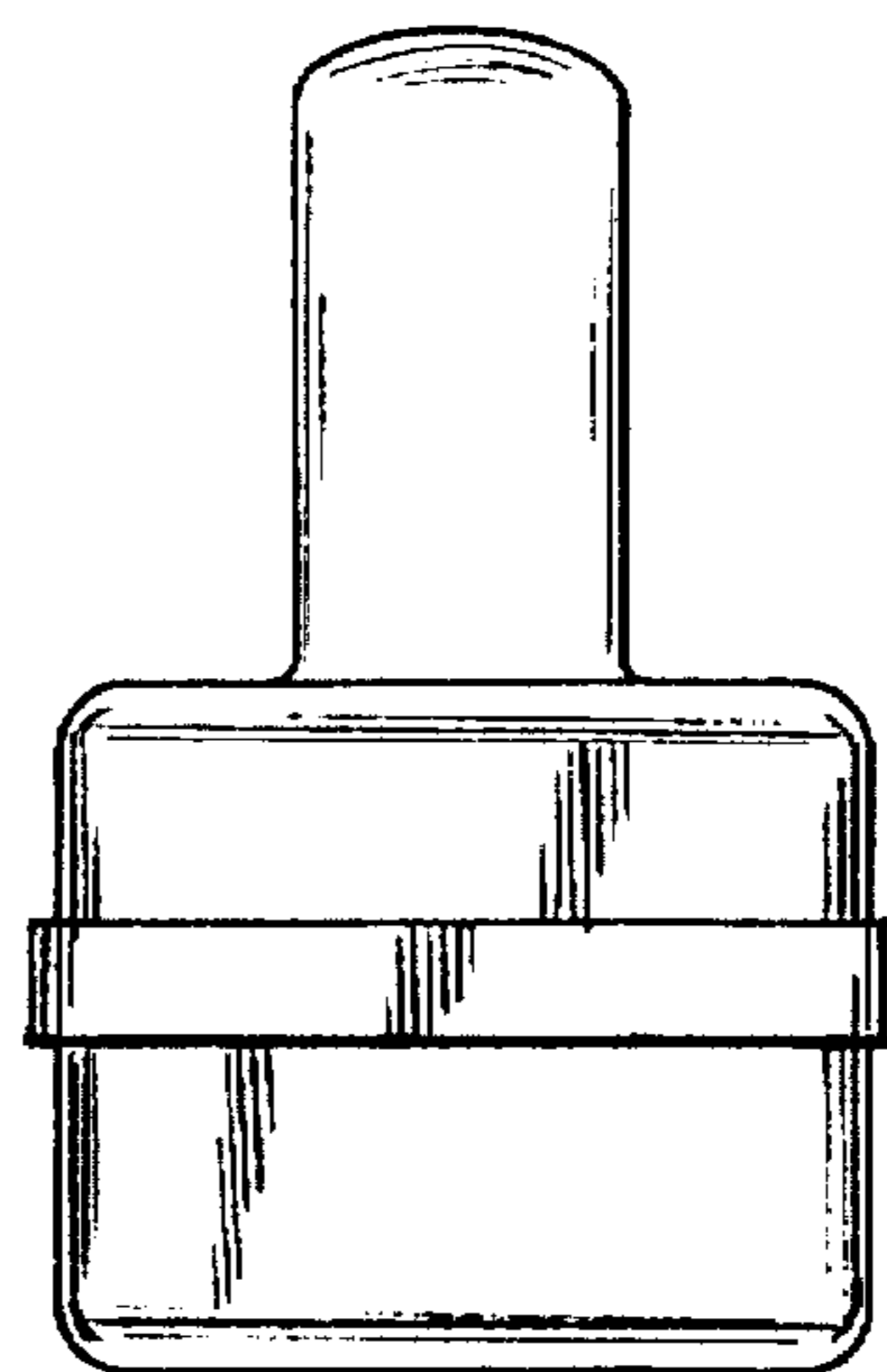


FIG. 6

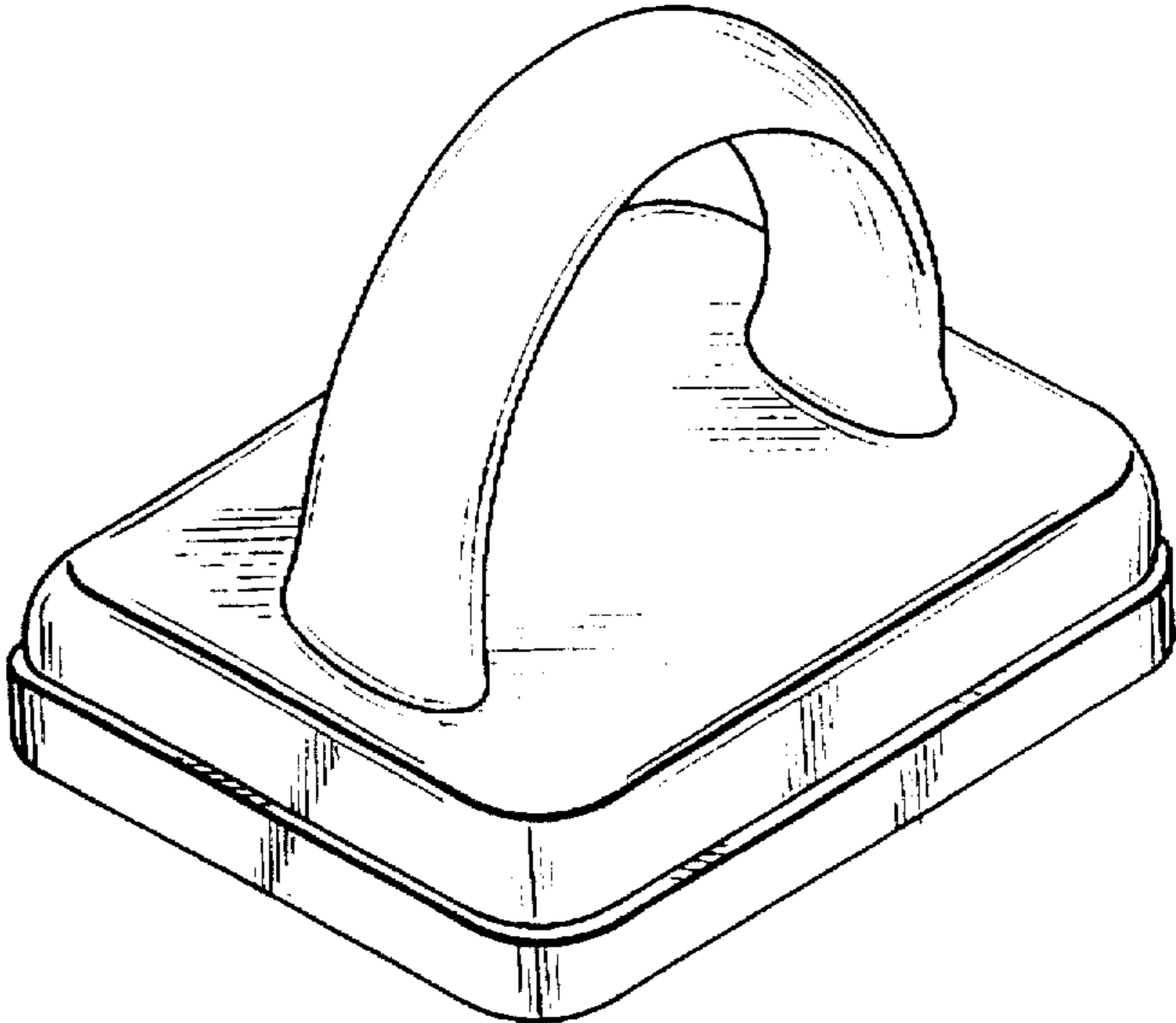


FIG. 7

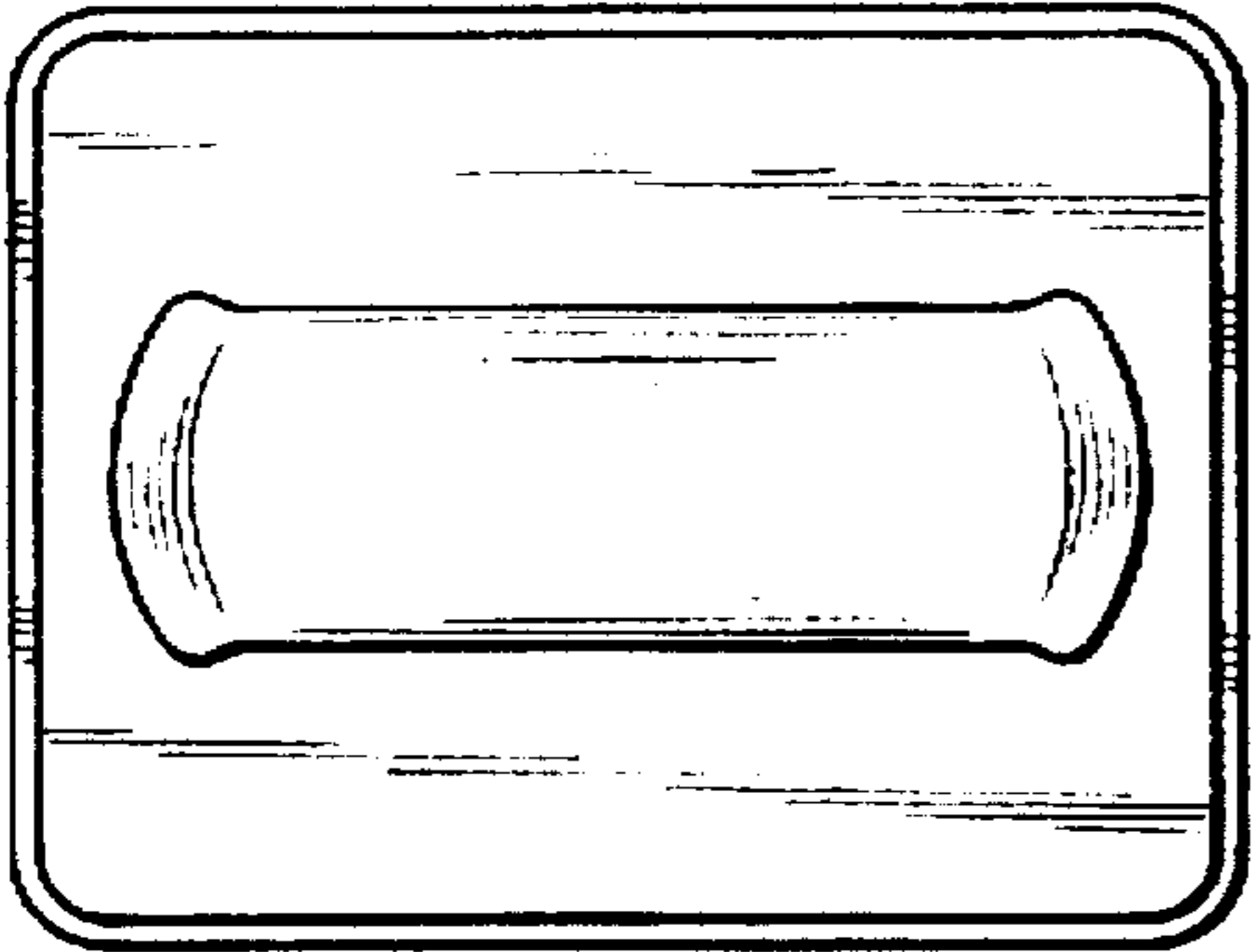


FIG. 8

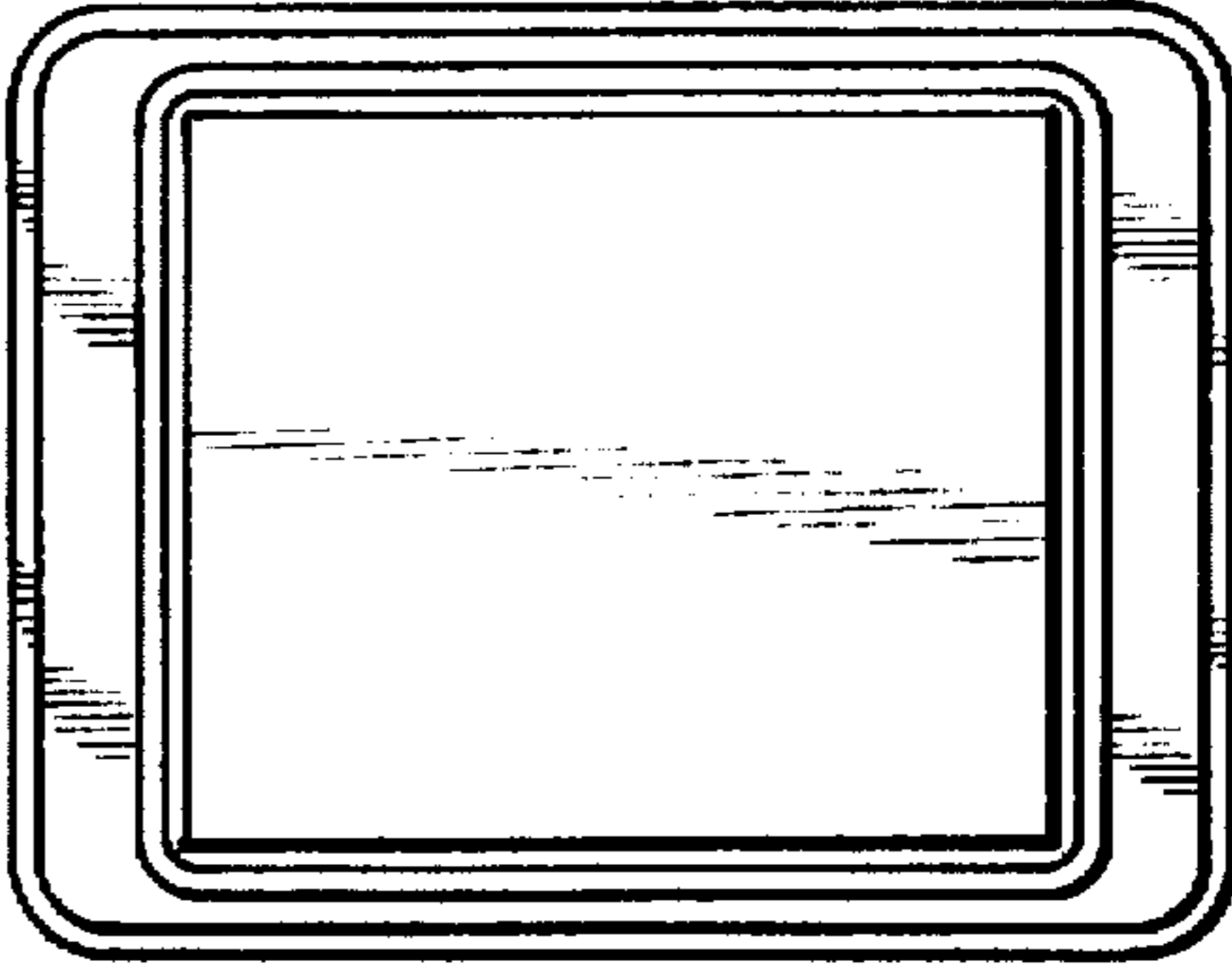


FIG. 9

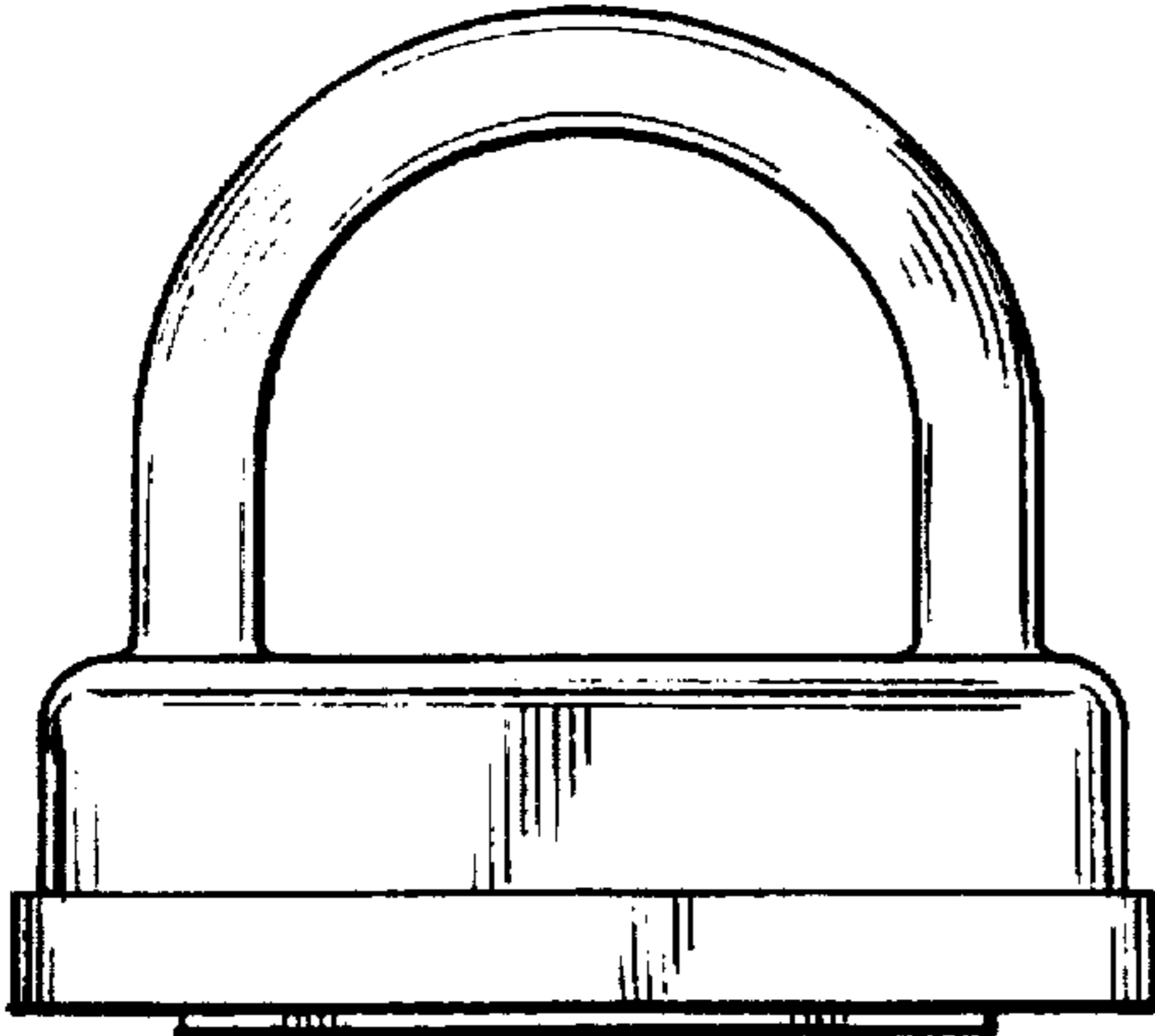


FIG. 10

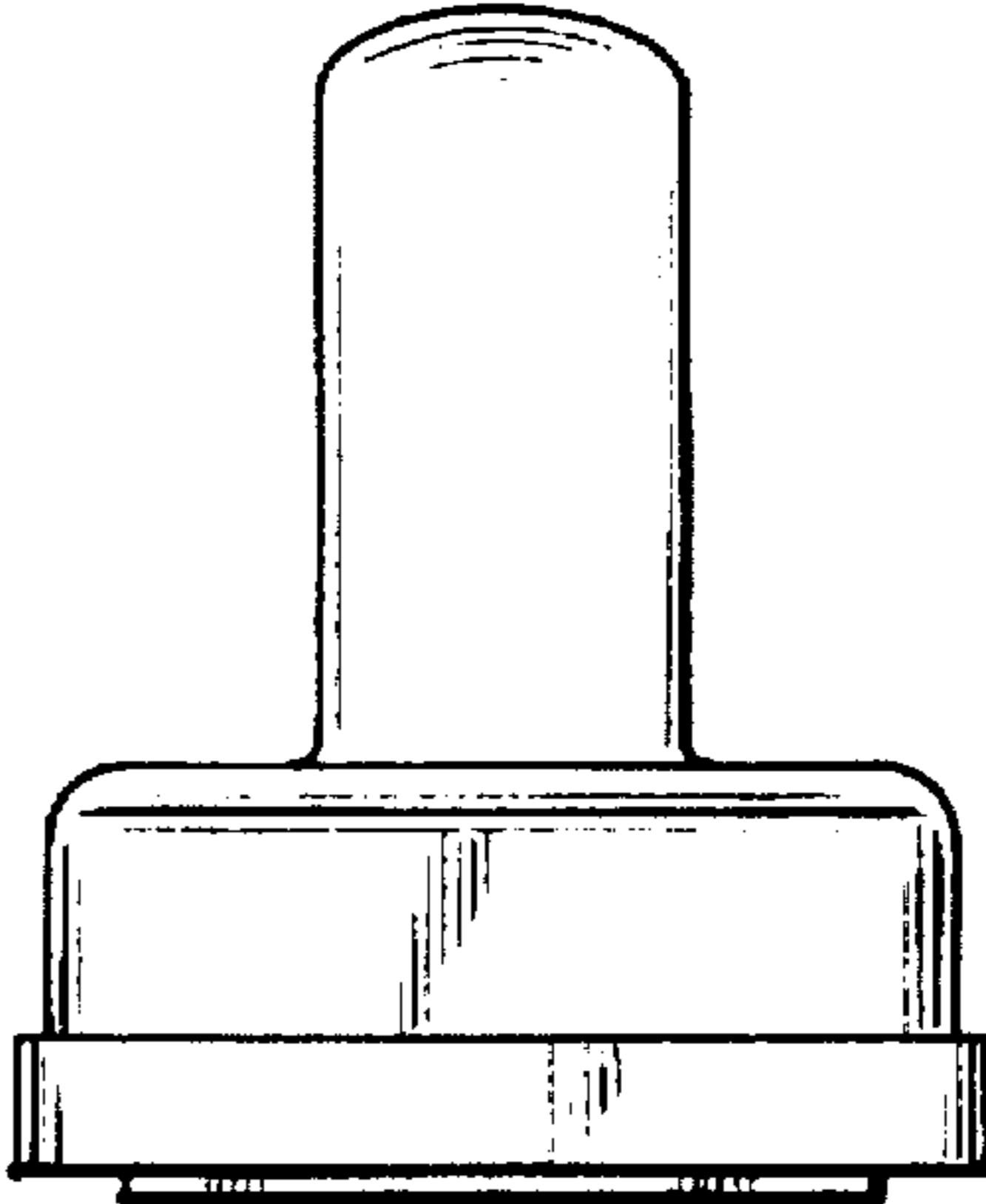


FIG. 11

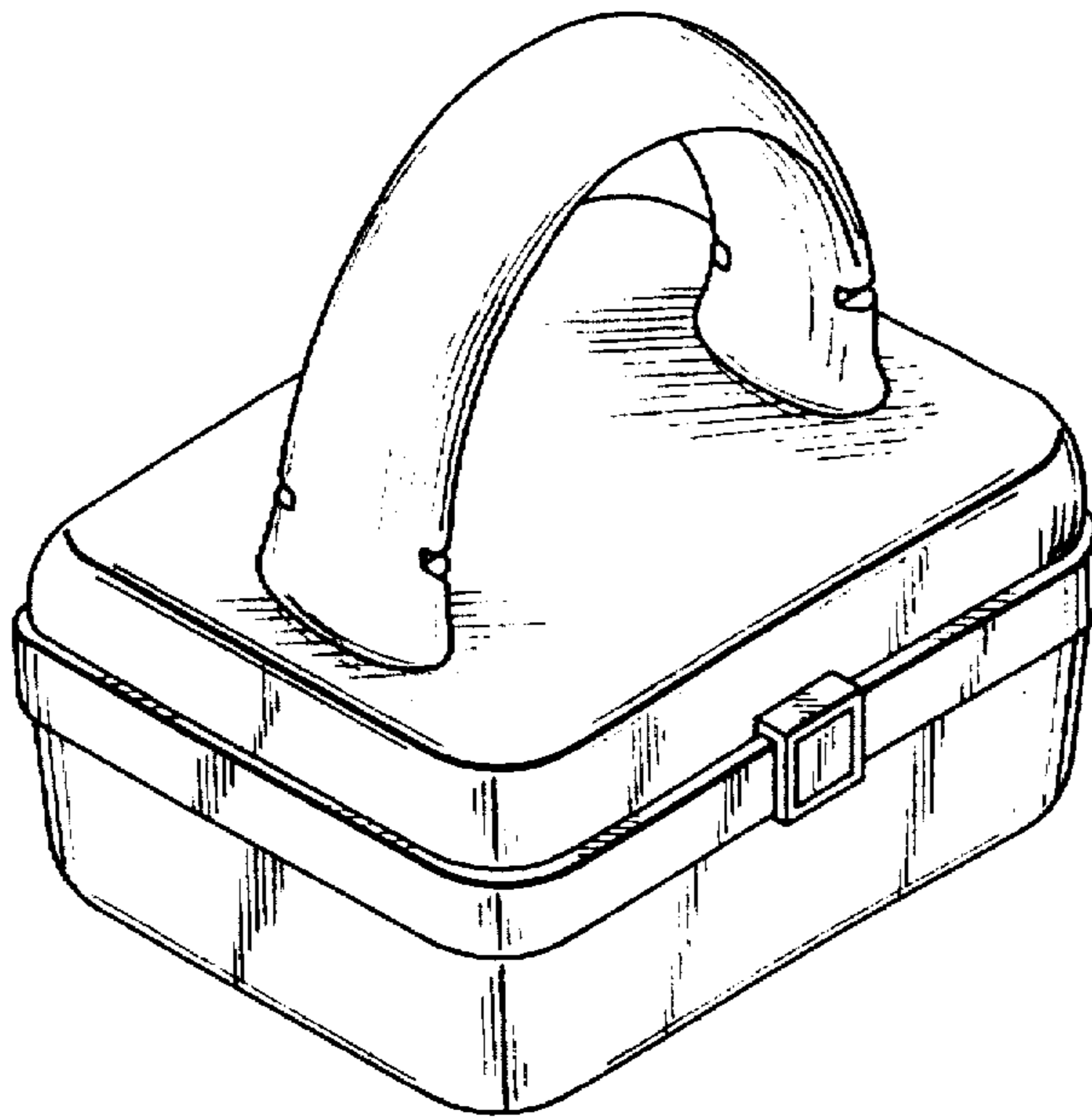


FIG. 12

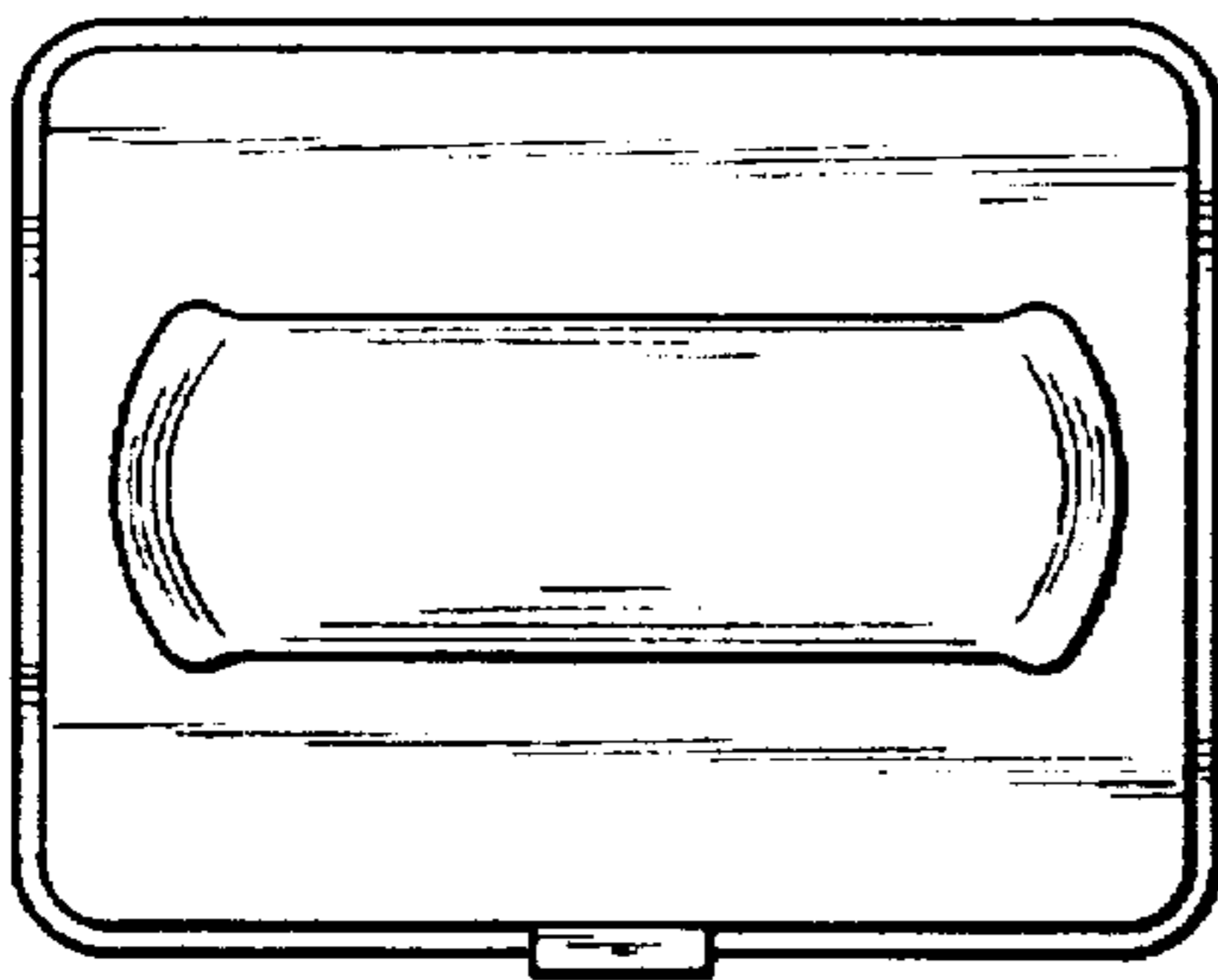


FIG. 13

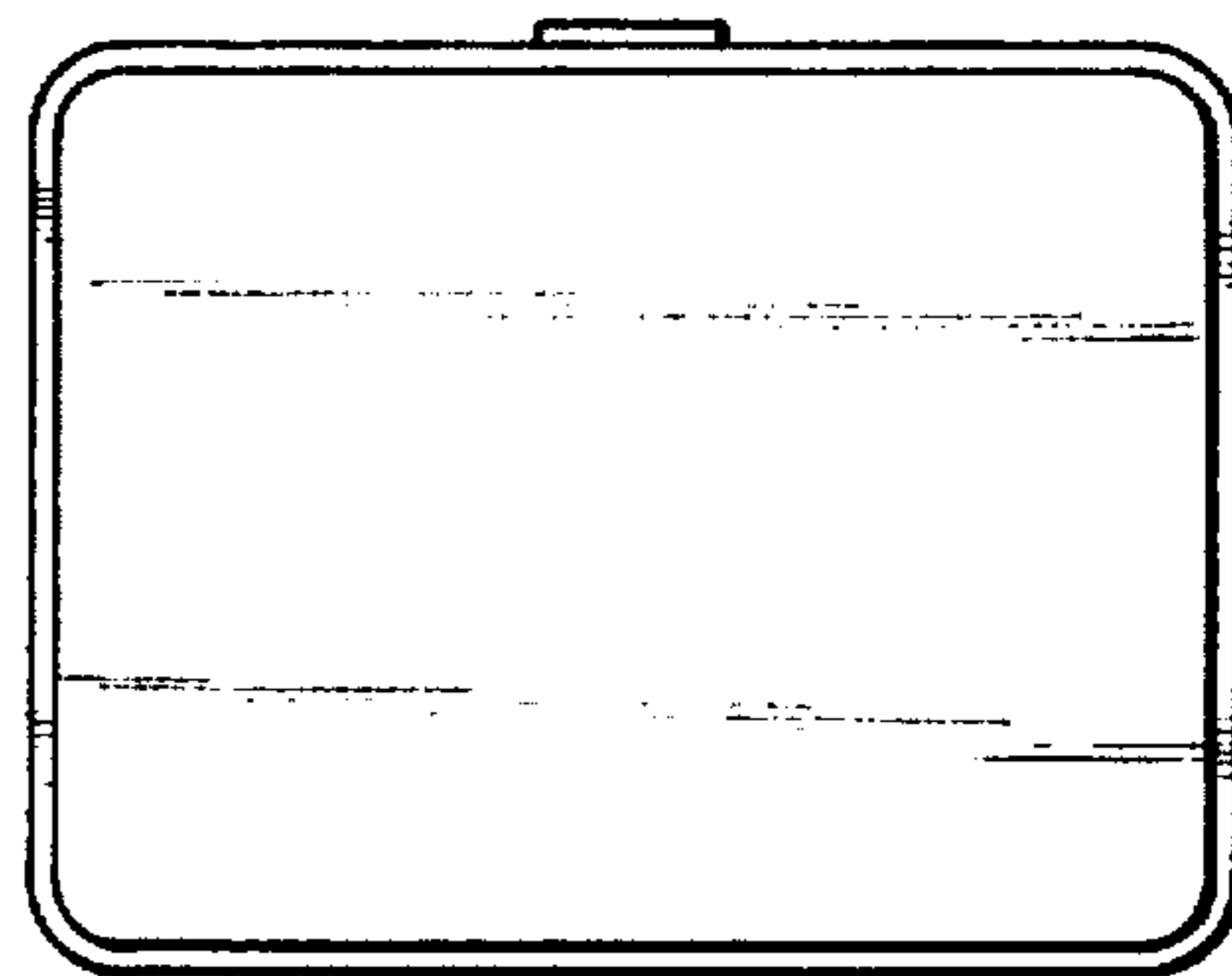


FIG. 14

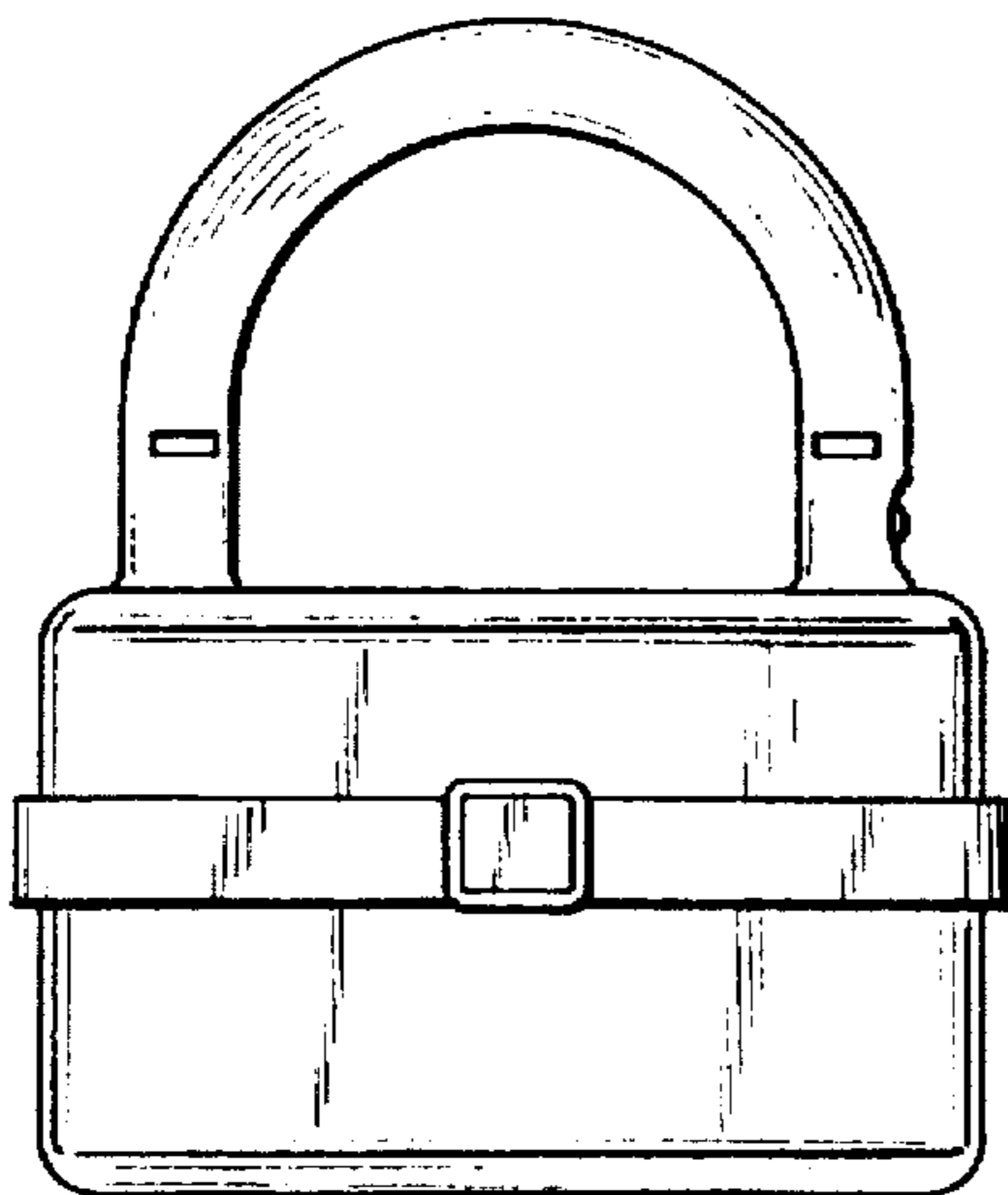


FIG. 15

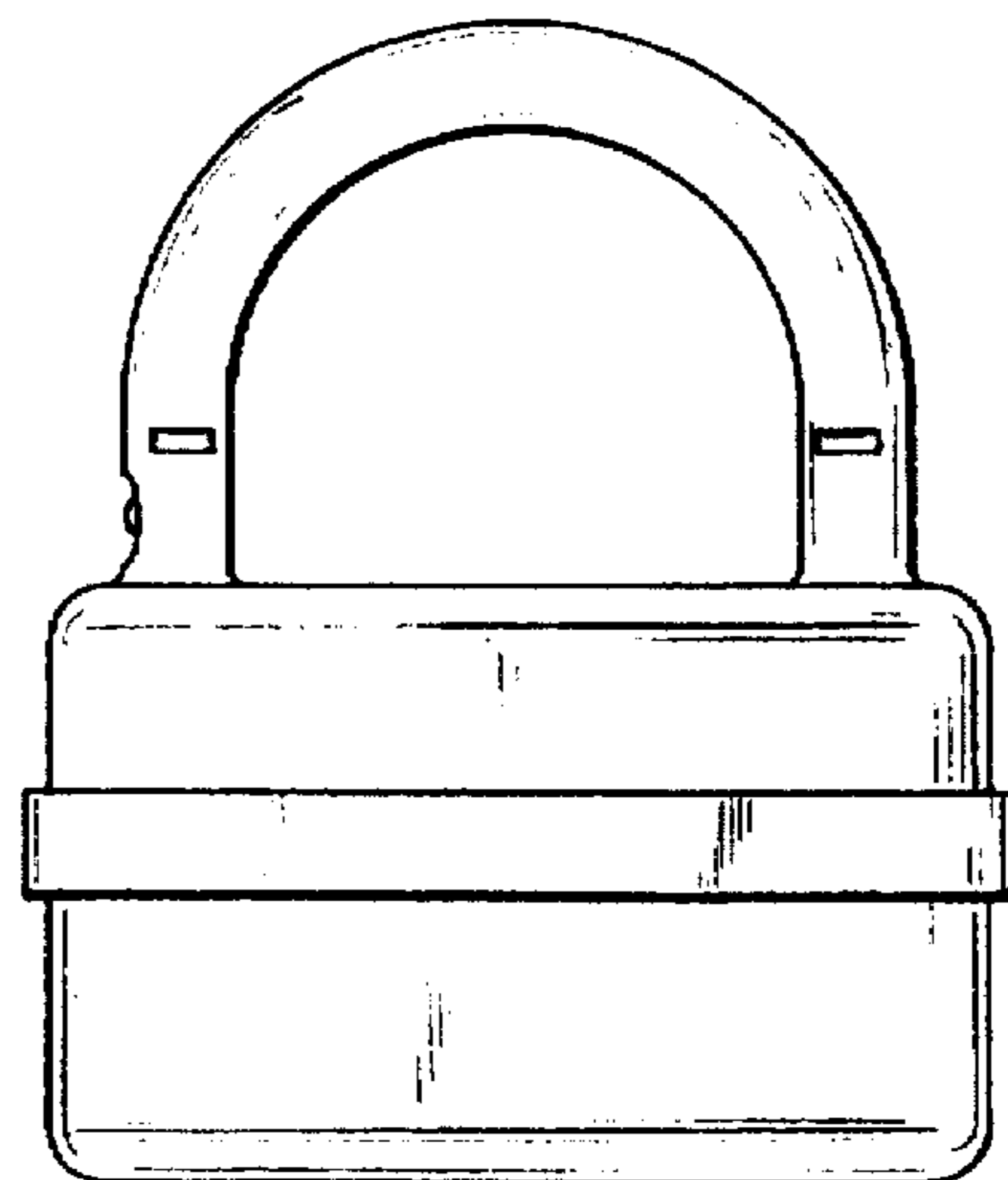


FIG. 16

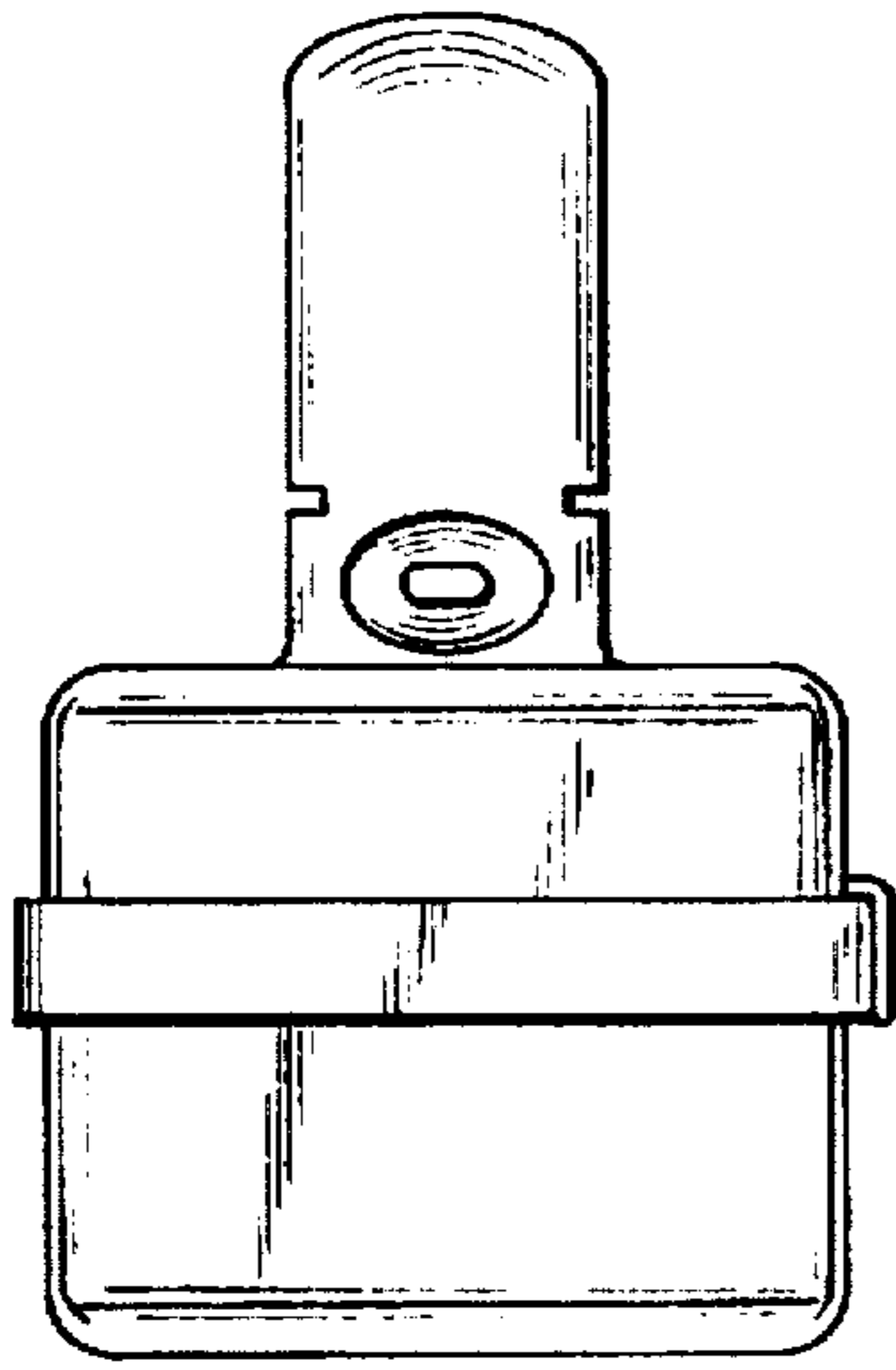


FIG. 17

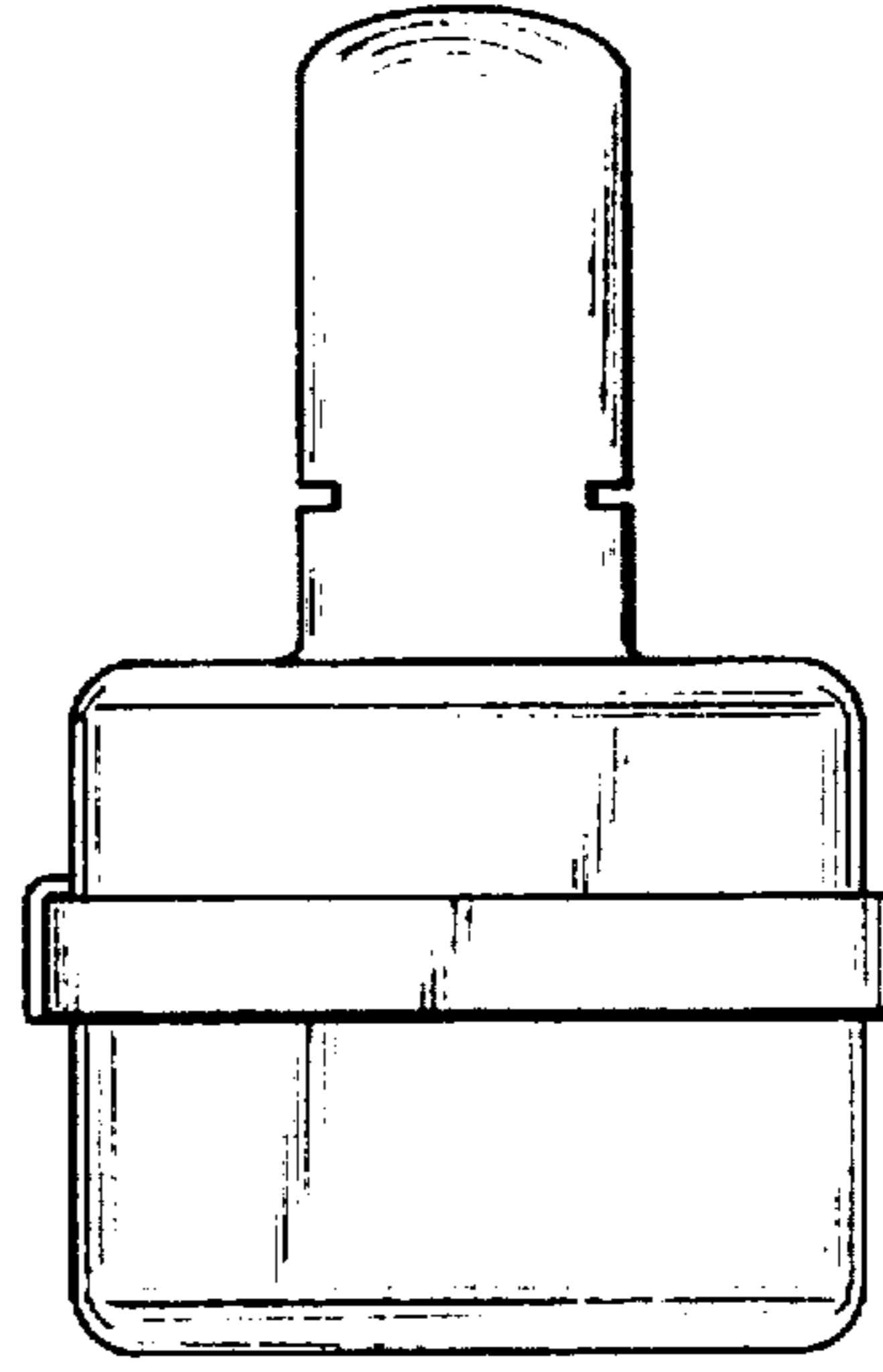


FIG. 18

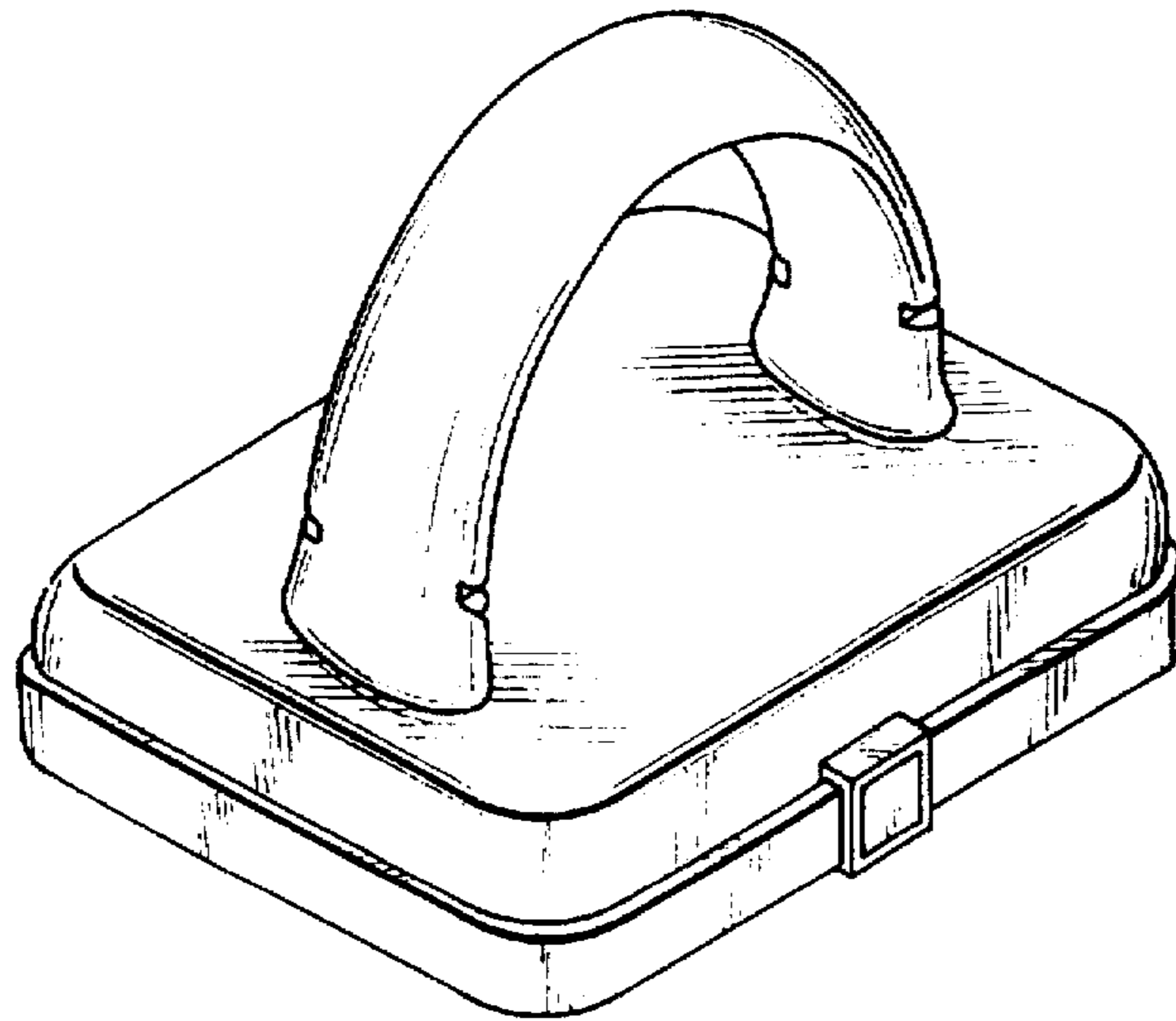


FIG. 19

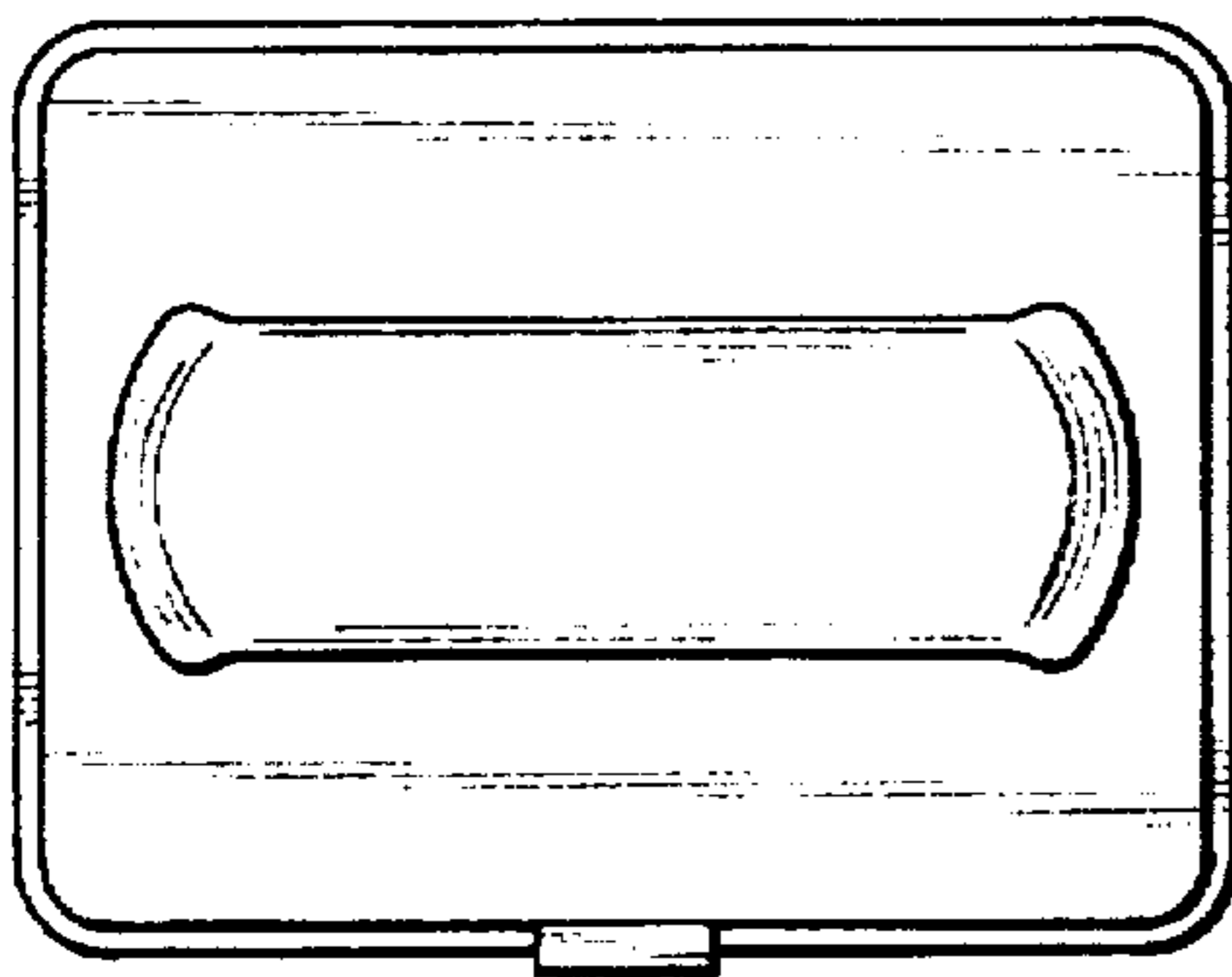


FIG. 20

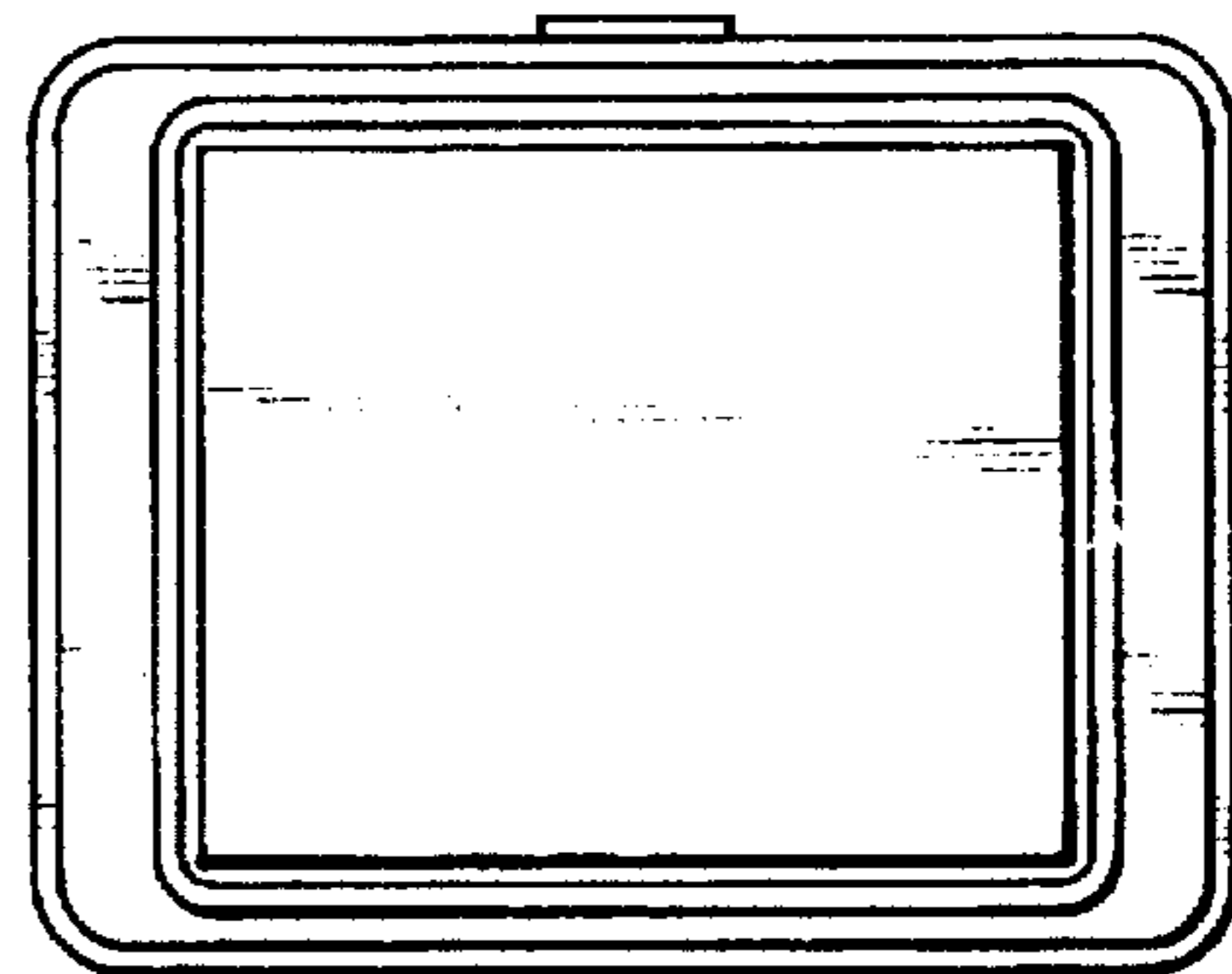


FIG. 21

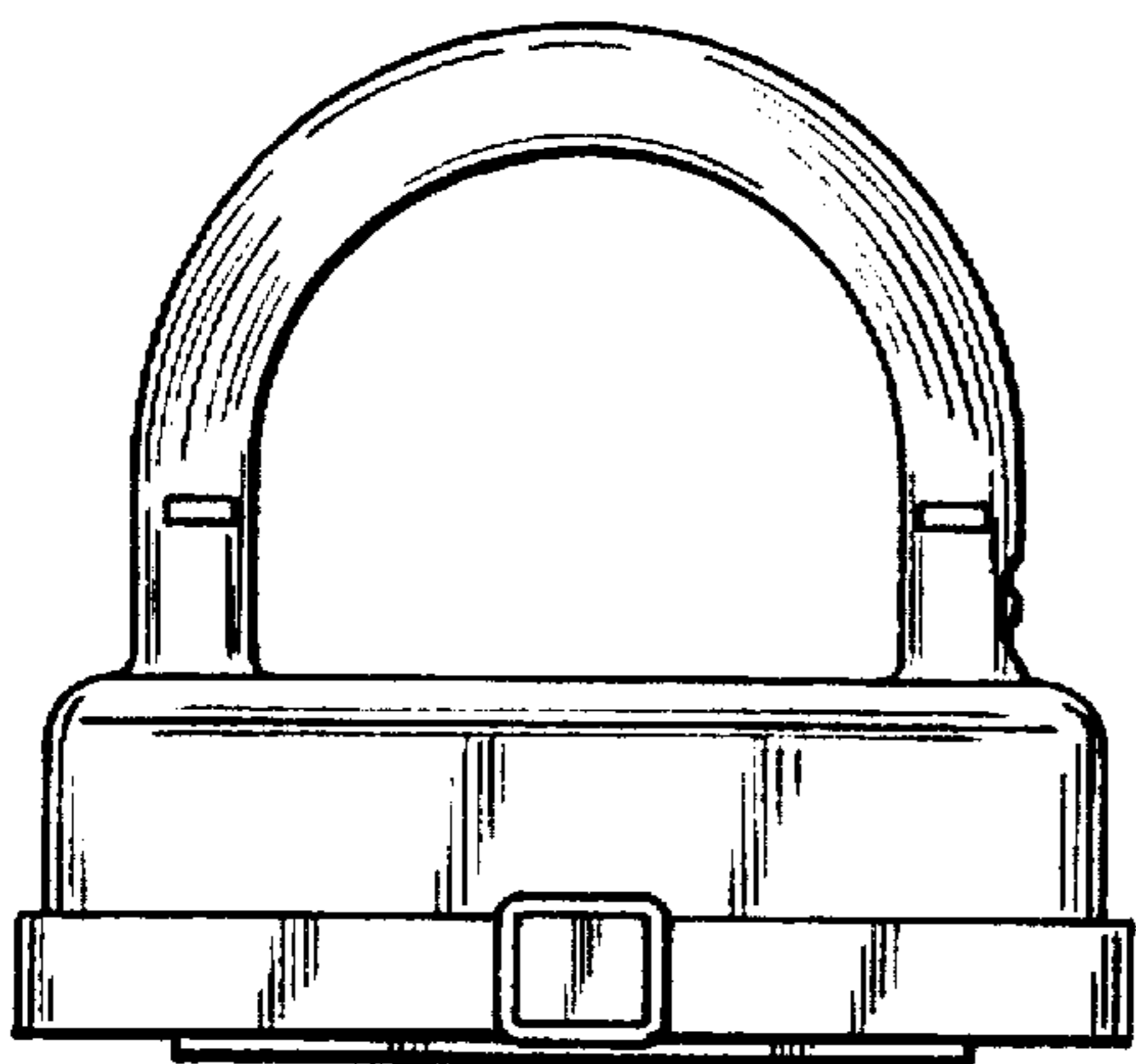


FIG. 22

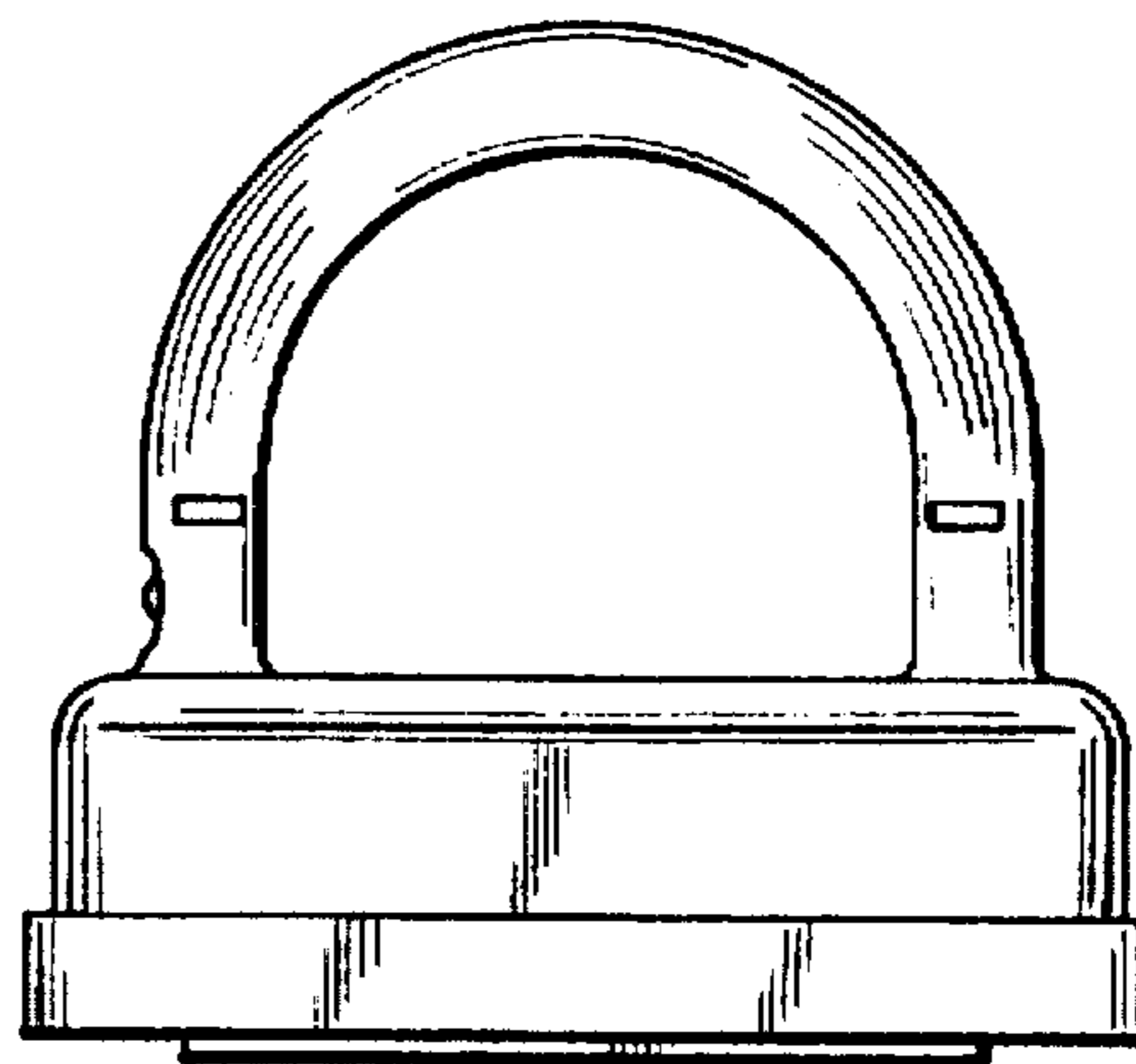


FIG. 23

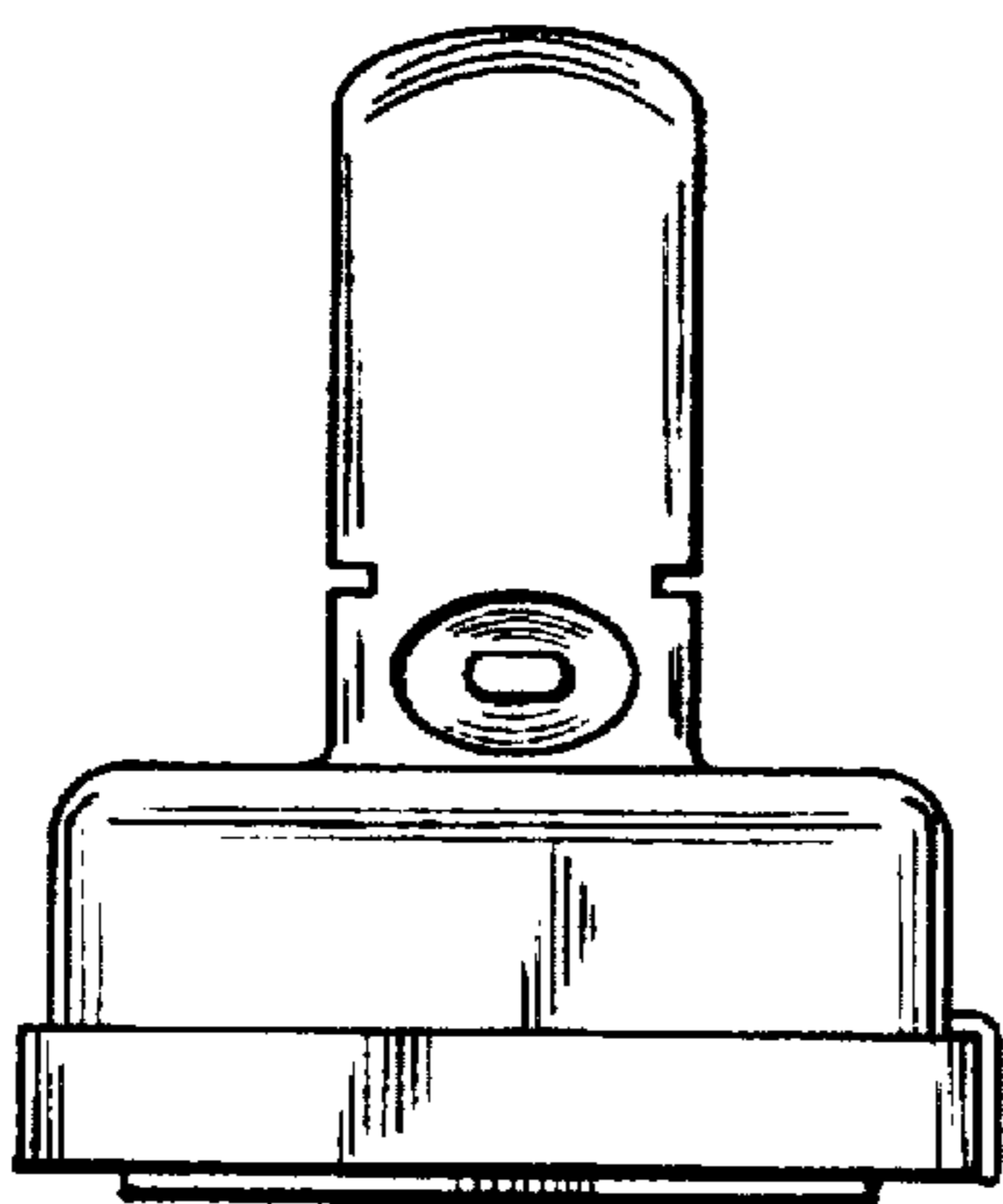


FIG. 24

