



US00D397129S

United States Patent [19]

[11] Patent Number: Des. 397,129

Eto et al.

[45] Date of Patent: **Aug. 18, 1998

[54] CAMERA

[75] Inventors: Taro Eto, Nagoya; Fumitaka Io, Nara, both of Japan

[73] Assignee: Minolta Co., Ltd., Osaka, Japan

[**] Term: 14 Years

[21] Appl. No.: 56,730

[22] Filed: Jul. 8, 1996

[51] LOC (6) Cl. 16-01

[52] U.S. Cl. D16/209

[58] Field of Search D16/200-209, D16/211-213, 216-218; 396/176, 177, 178, 535-543

AF-1 Super Quartz Date; Olympus; Camera sogo Catalogue of 1989.

AF-1 Quartz Date; Olympus; Camera sogo Catalogue of 1994.

Cardia Mini; Fuji Film (Camera sogo Catalogue of 1994). OZ 1 Panorama; Olympus; Camera sogo Catalogue of 1994).

Zoom Panorma; Olympus; Camera sogo Catalogue of 1994).

Primary Examiner—Philip S. Hyder

Assistant Examiner—Adir Aronovich

Attorney, Agent, or Firm—Burns, Doane, Swecker & Mathis, LLP

[57] CLAIM

The ornamental design for a camera, as shown and described.

[56] References Cited

U.S. PATENT DOCUMENTS

D. 295,418	4/1988	Gotham	D16/209
D. 323,337	1/1992	Moro et al.	D16/209
D. 359,501	6/1995	Mamamura et al.	D16/212
D. 360,217	7/1995	Shull et al.	D16/209
4,051,494	9/1977	Fujita et al.	396/176

OTHER PUBLICATIONS

- Popular Ptography, p. 37 (Pentax SF-10), Oct. 1988.
- Camera Sogo Catalog, vol. 111 p. 11 (Pentax ESPIO 80), 1996.
- Pikaichi-Duo; Nikon; Apr. 25, 1990.
- Panorama; Olympus; Jul., 1992.
- AF-10 Twin Quartz; Olympus; Feb., 1991.
- AF-1 Twin; Olympus; Feb., 1990.
- ESPIO MiNi; Pentax, May, 1994.
- AF-10; Olympus, Camera sogo Catalogue of 1989.

DESCRIPTION

FIG. 1 is a front elevational view of the camera incorporating our new design with the lens cover and the flash in closed position;

FIG. 2 is a rear elevational view thereof;

FIG. 3 is a top view thereof;

FIG. 4 is a right side elevational view thereof;

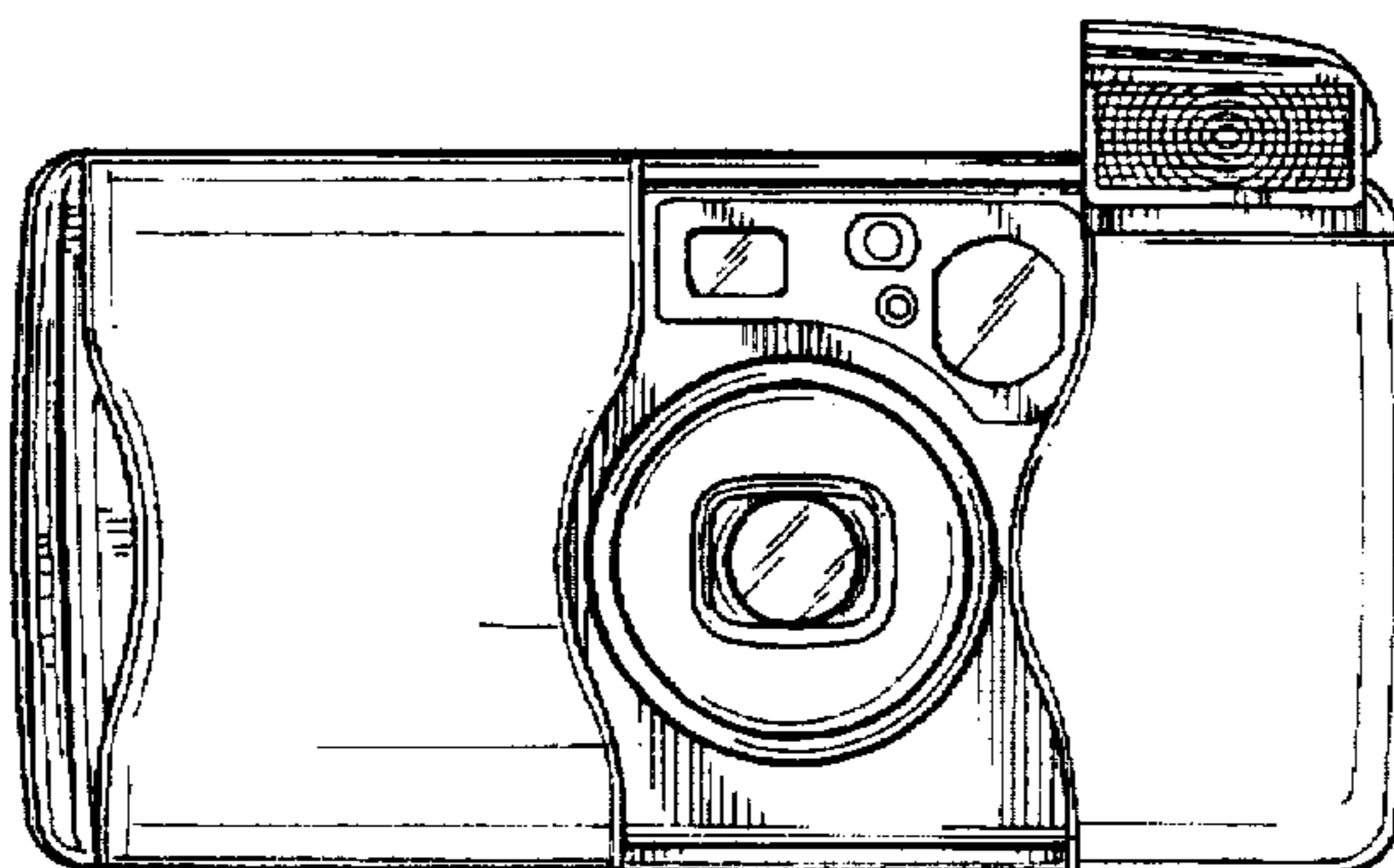
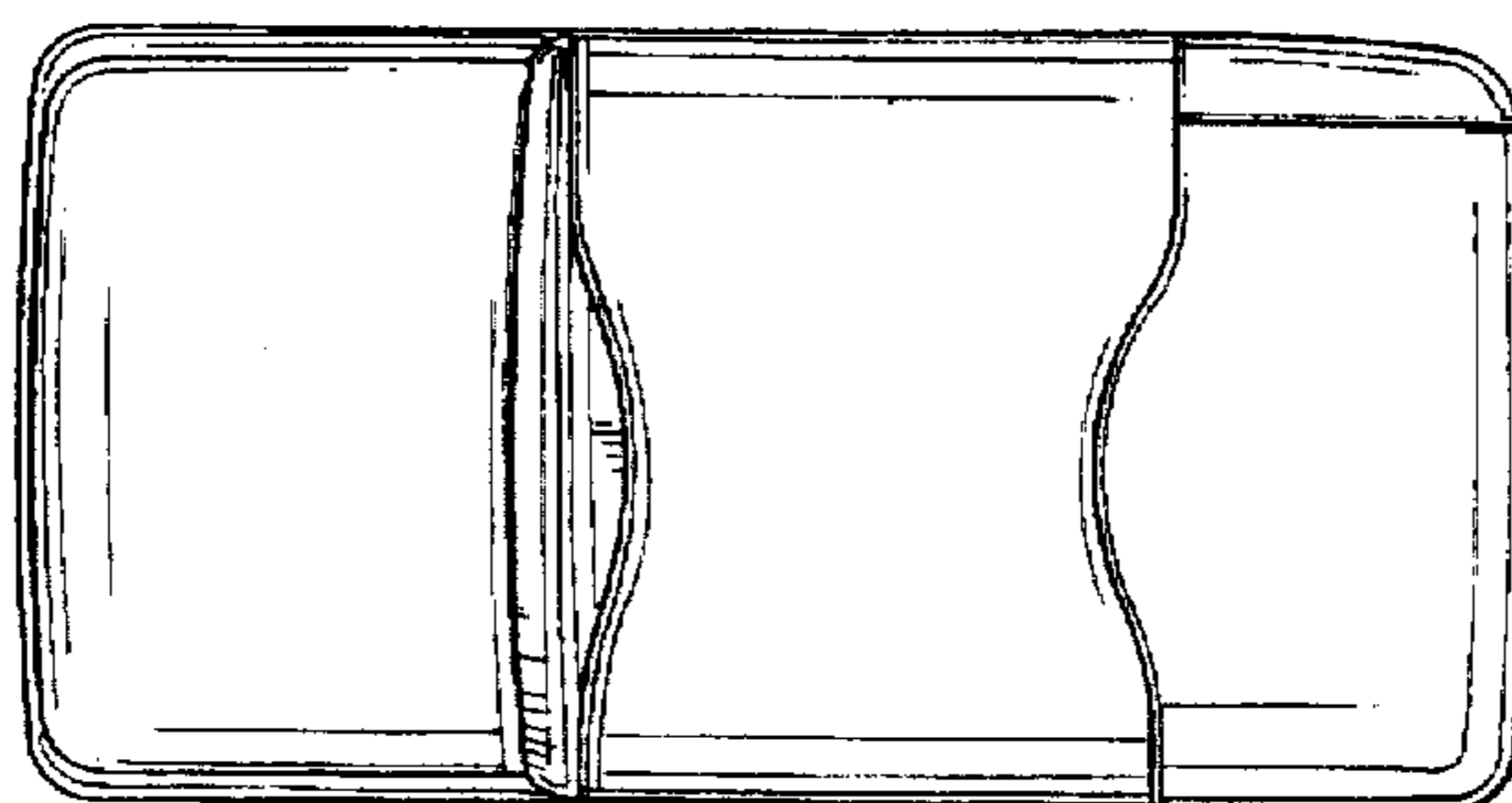
FIG. 5 is a front elevational view thereof with the lens cover open to expose the lens and the flash in a protruding position;

FIG. 6 is a top view thereof with the lens cover open and the lens exposed in an extended position;

FIG. 7 is a left side elevational view thereof with the flash in a protruding position and the lens exposed in an extended position; and,

FIG. 8 is a bottom view thereof.

1 Claim, 3 Drawing Sheets



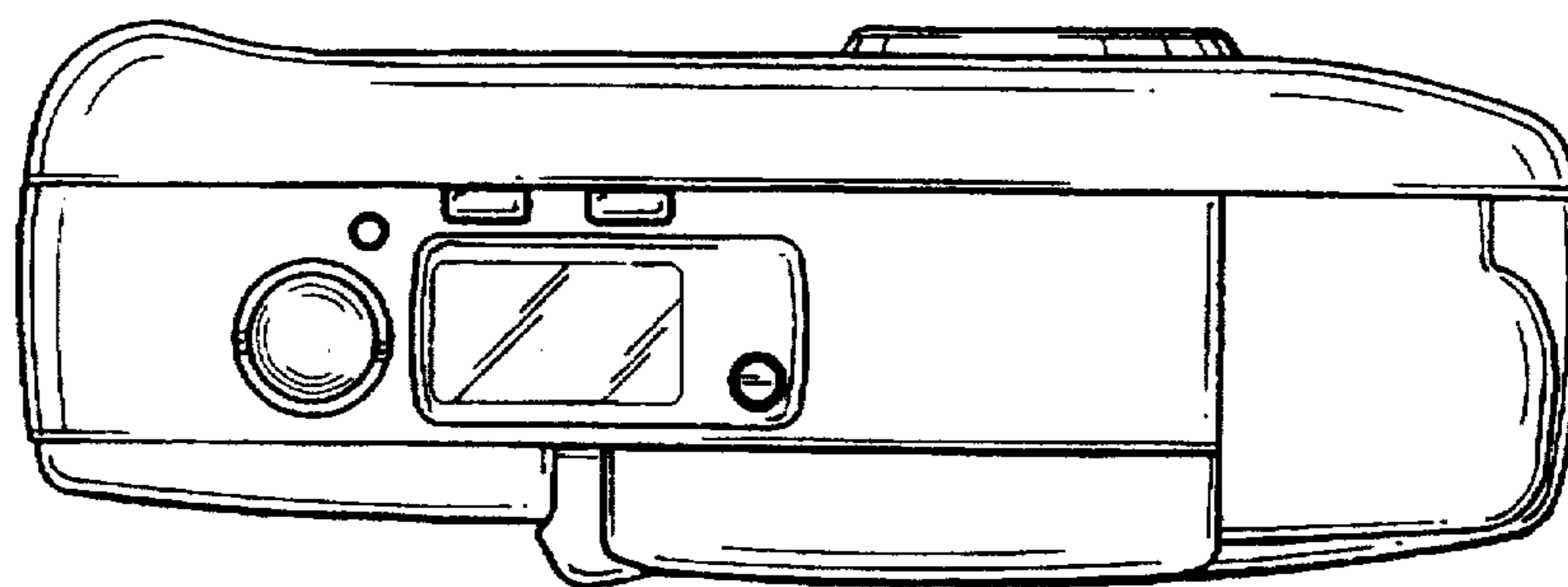


FIG. 3

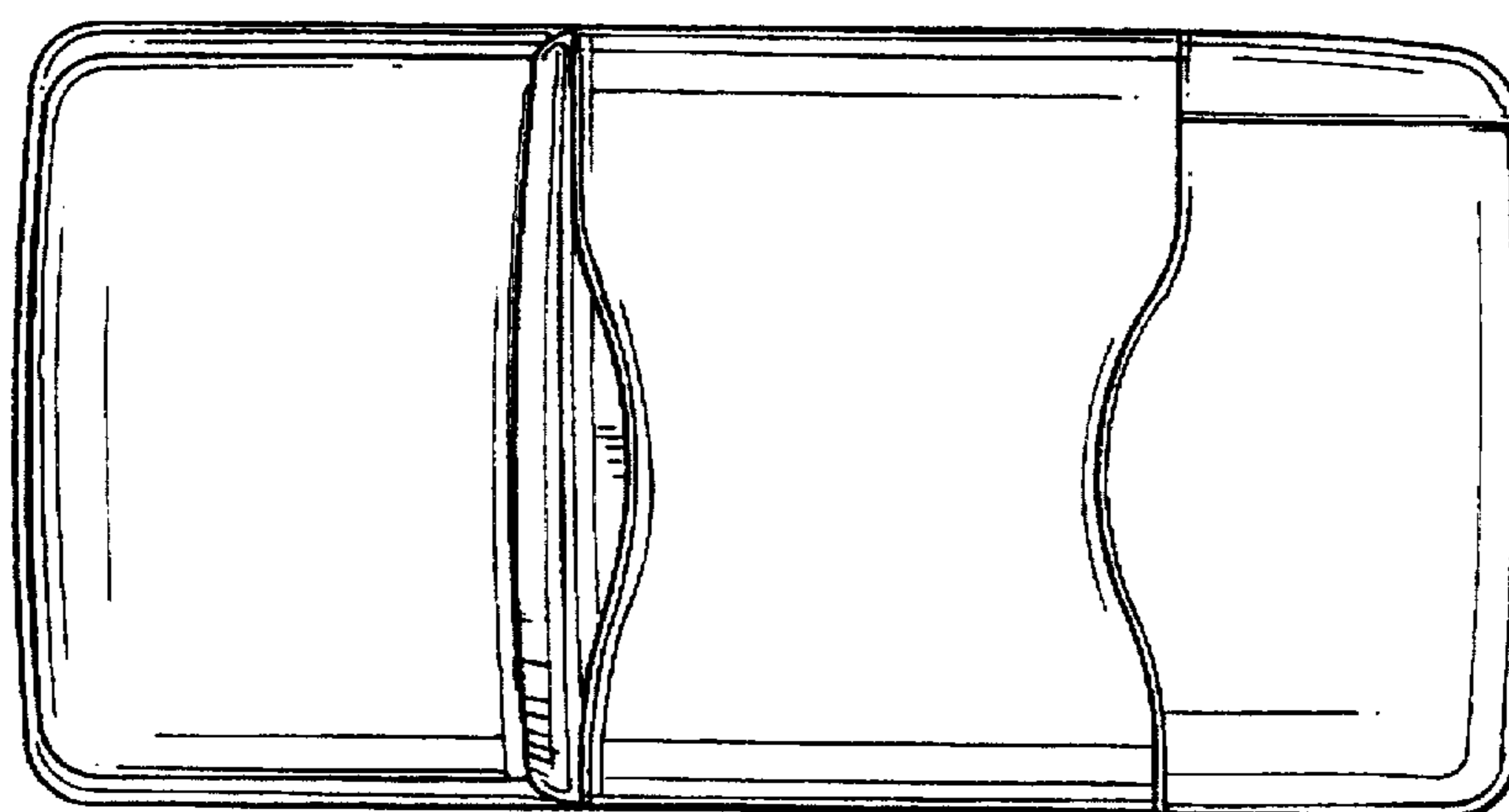


FIG. 1

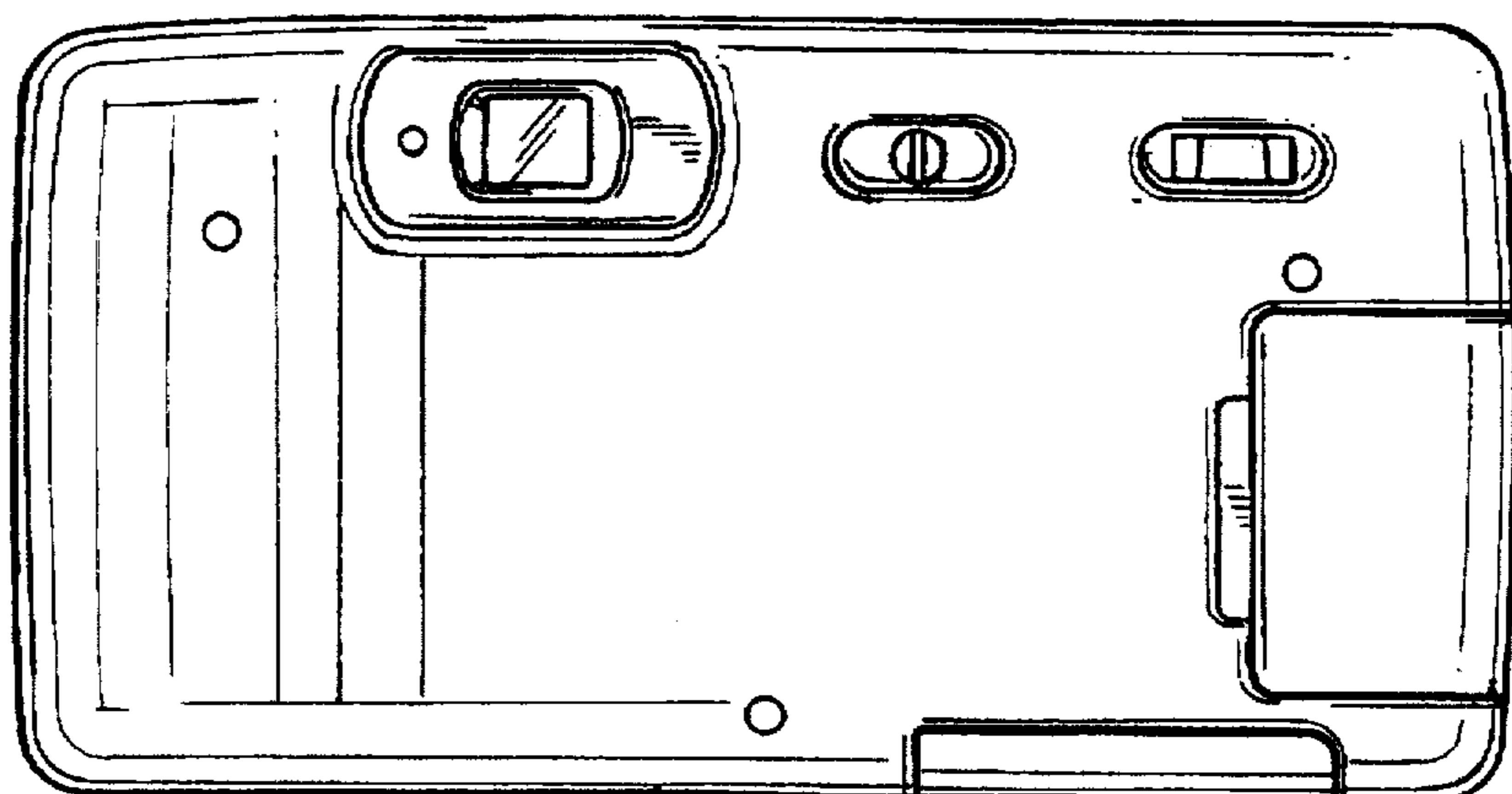


FIG. 2

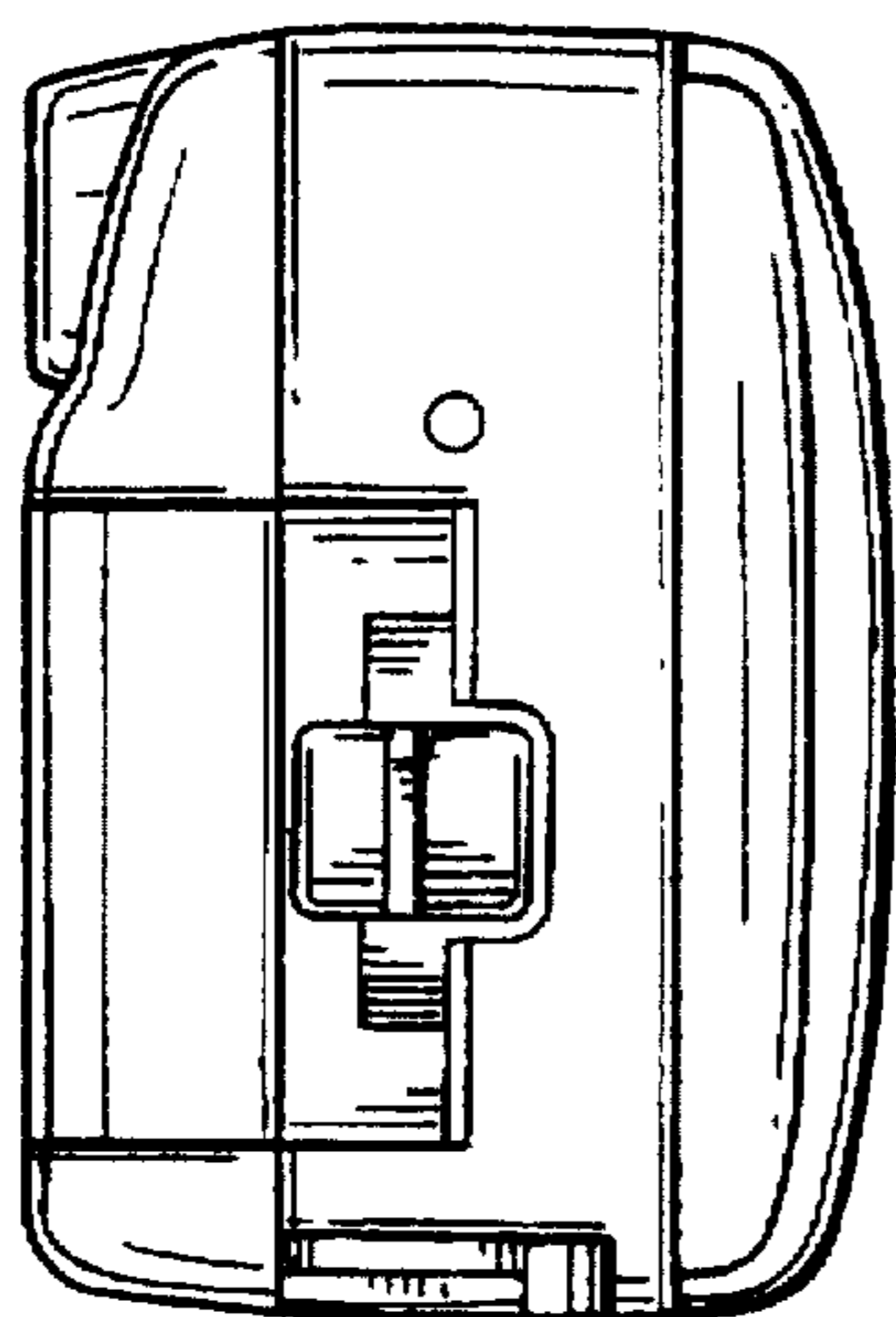


FIG. 4

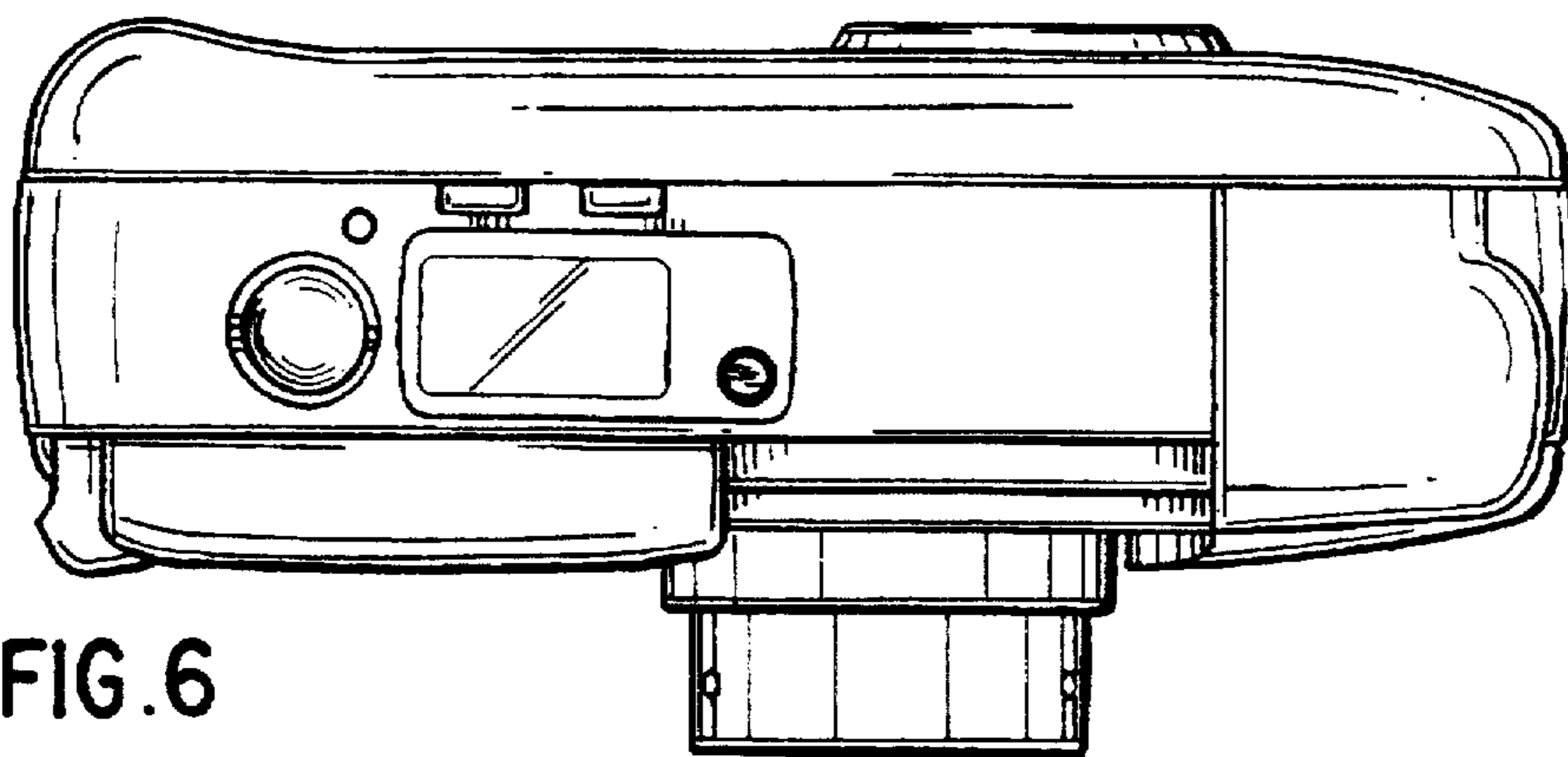


FIG. 6

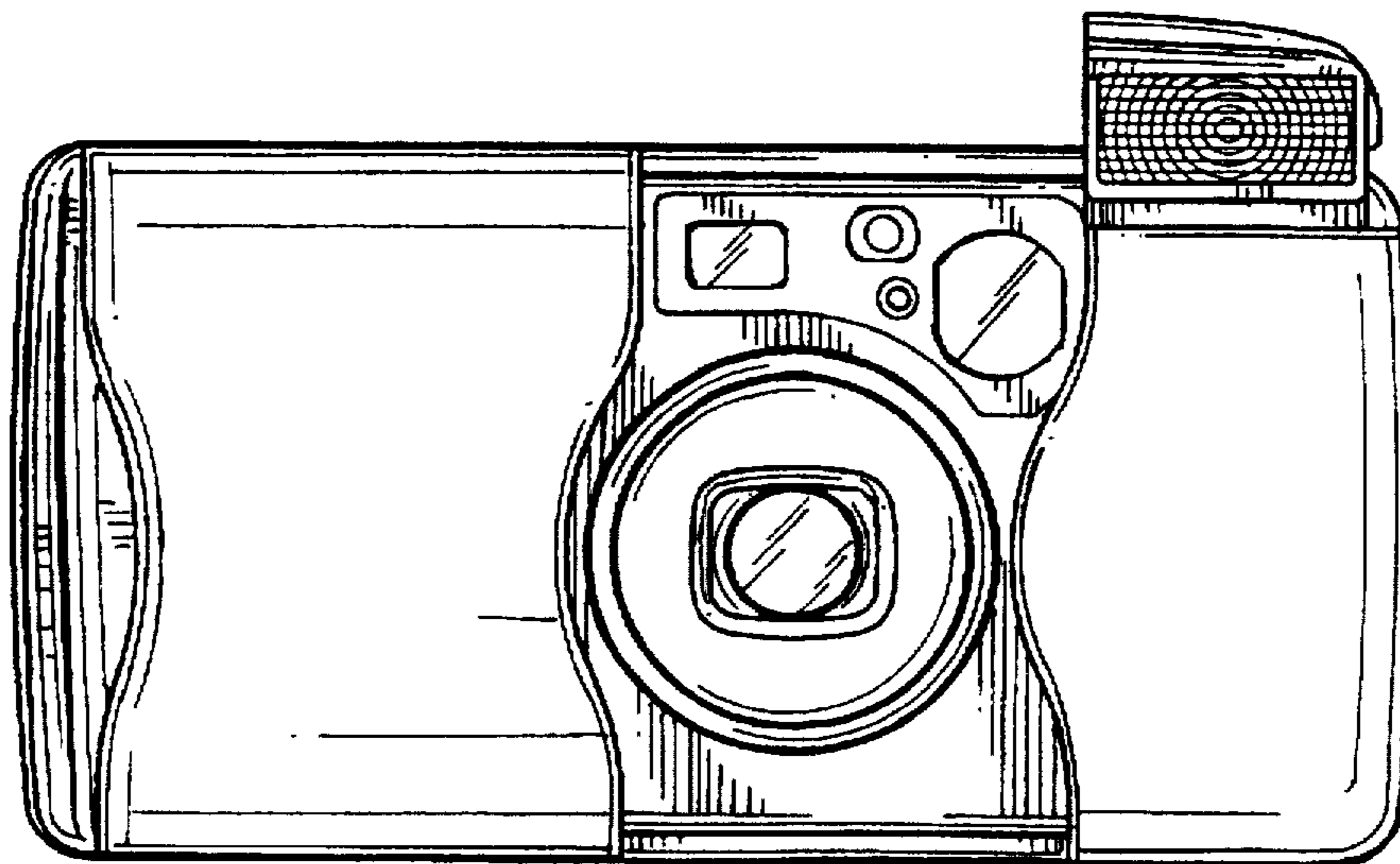


FIG. 5

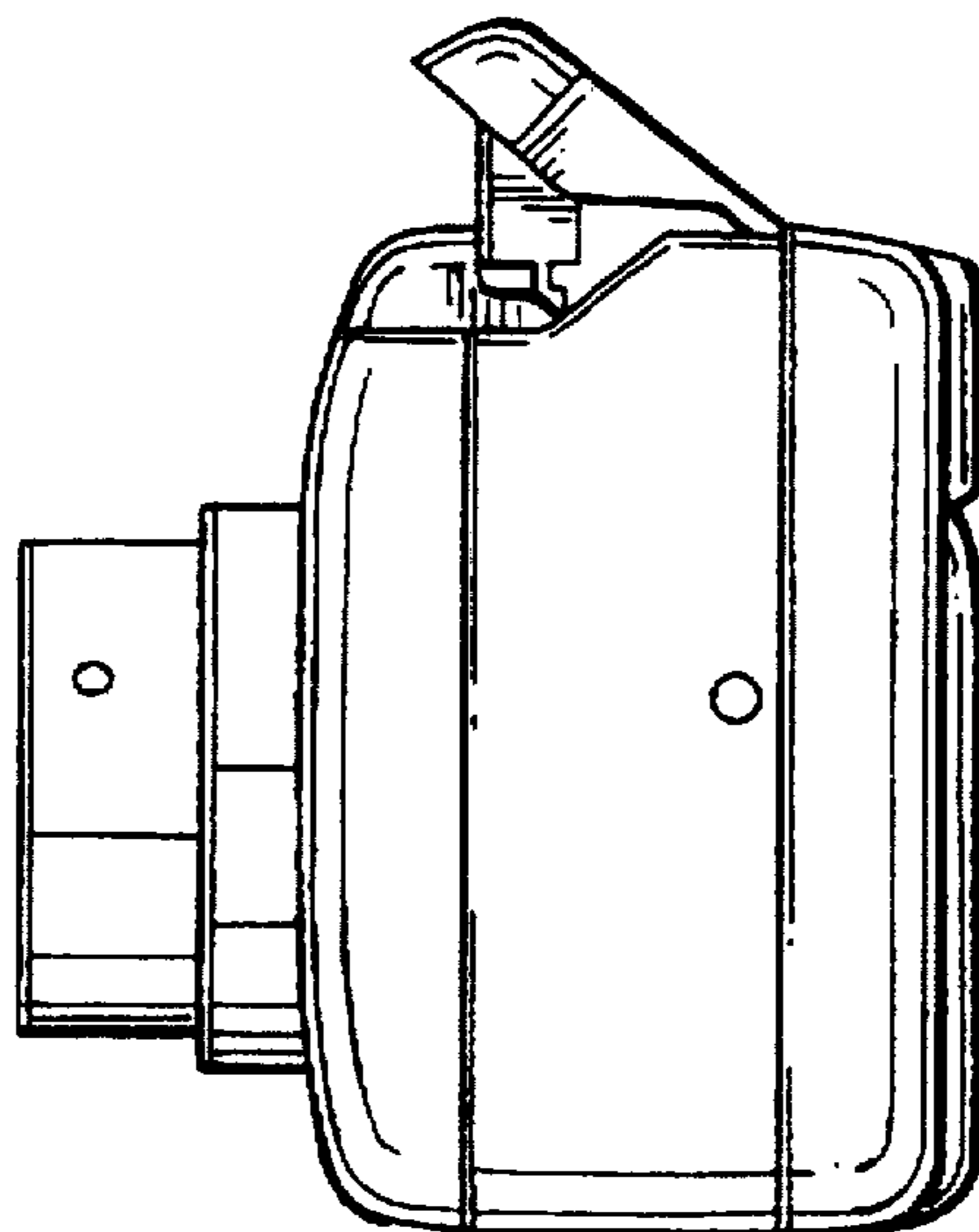


FIG. 7

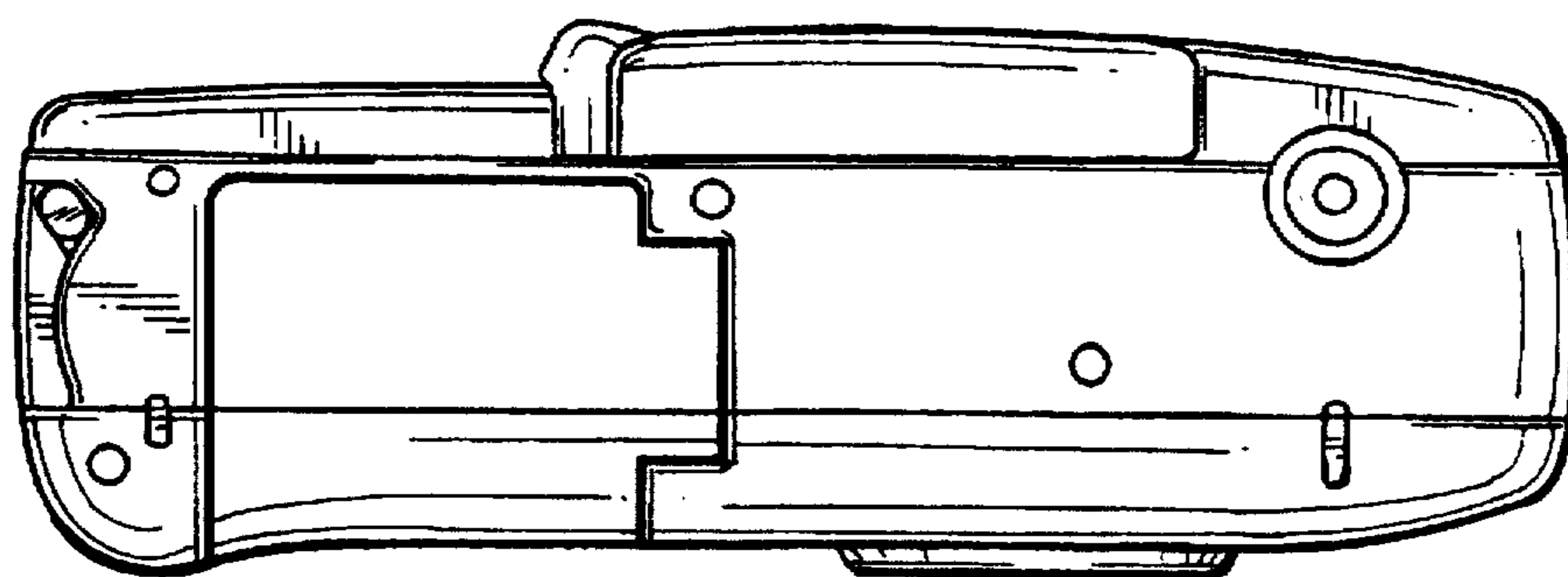


FIG. 8