

US00D397125S

United States Patent [19]
Boisvert

[11] **Patent Number: Des. 397,125**
[45] **Date of Patent: **Aug. 18, 1998**

[54] **TOOL HOLDING DEVICE**

5,425,604 6/1995 Scheer et al. 408/240

[76] **Inventor: Marc H. Boisvert**, 12 Willobrae Dr.,
Peabody, Mass. 01960

Primary Examiner—Robert M. Spear
Attorney, Agent, or Firm—Don Halgren

[**] **Term: 14 Years**

[57] **CLAIM**

[21] **Appl. No.: 72,412**

The ornamental design for a tool holding device, as shown and described.

[22] **Filed: Jun. 16, 1997**

DESCRIPTION

[51] **LOC (6) Cl. 15-09**

[52] **U.S. Cl. D15/140; D8/70**

[58] **Field of Search D8/68, 70; D15/131, D15/140, 138; 279/60-66, 140, 902; 408/240**

FIG. 1 is a perspective view of the tool holding device showing my new design;

FIG. 2 is a side elevational view of the left side of the tool holding device;

FIG. 3 is a side elevational view of the right side of the tool holding device;

FIG. 4 is a view of the lower end of the tool holding device; and,

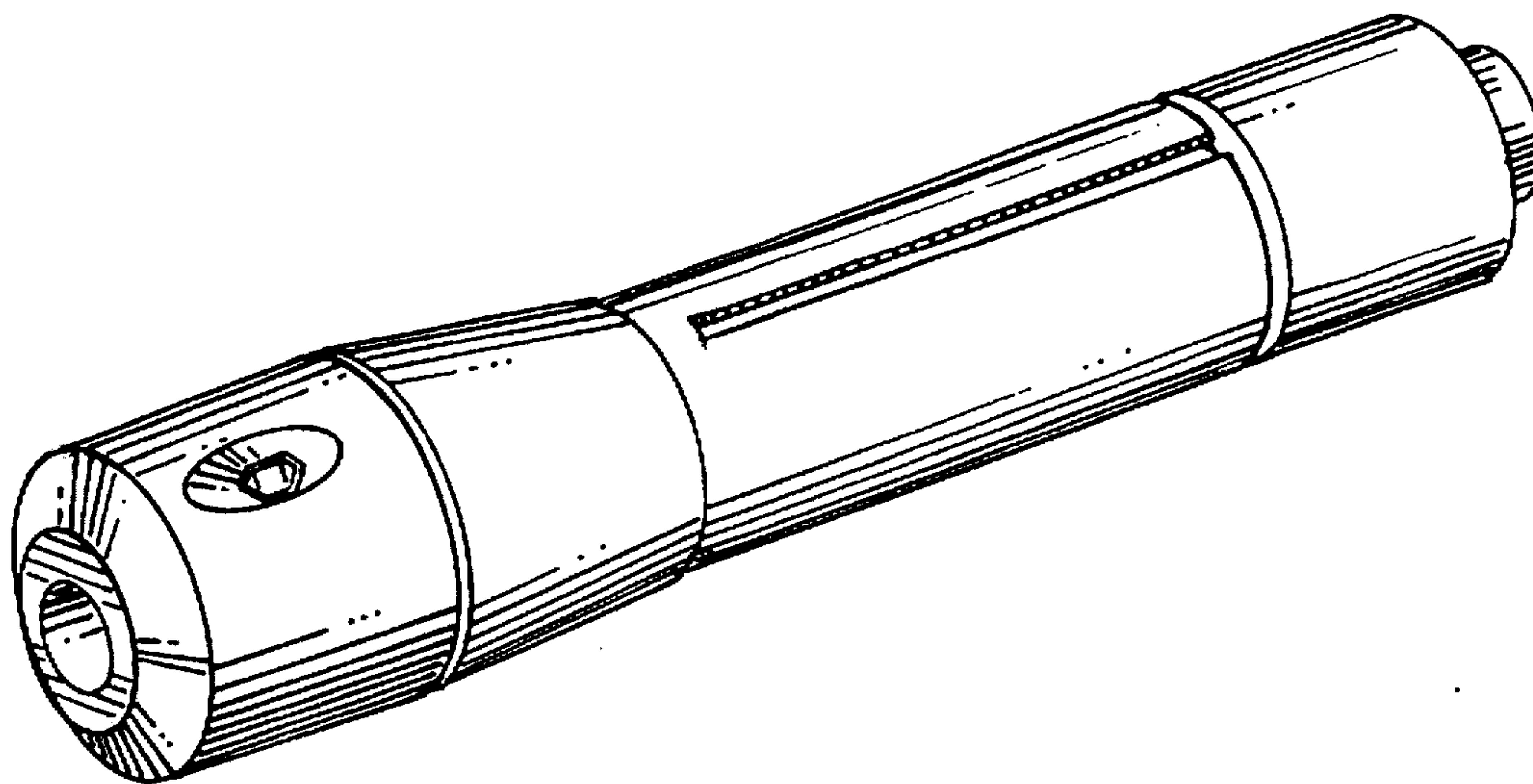
FIG. 5 is a view of the upper end of the tool holding device.

[56] **References Cited**

U.S. PATENT DOCUMENTS

D. 330,900	11/1992	Wakegijig	D15/138
2,188,929	2/1940	Stolle	279/62
4,284,375	8/1981	Muehleisen	408/240
4,795,291	1/1989	March	279/60

1 Claim, 1 Drawing Sheet



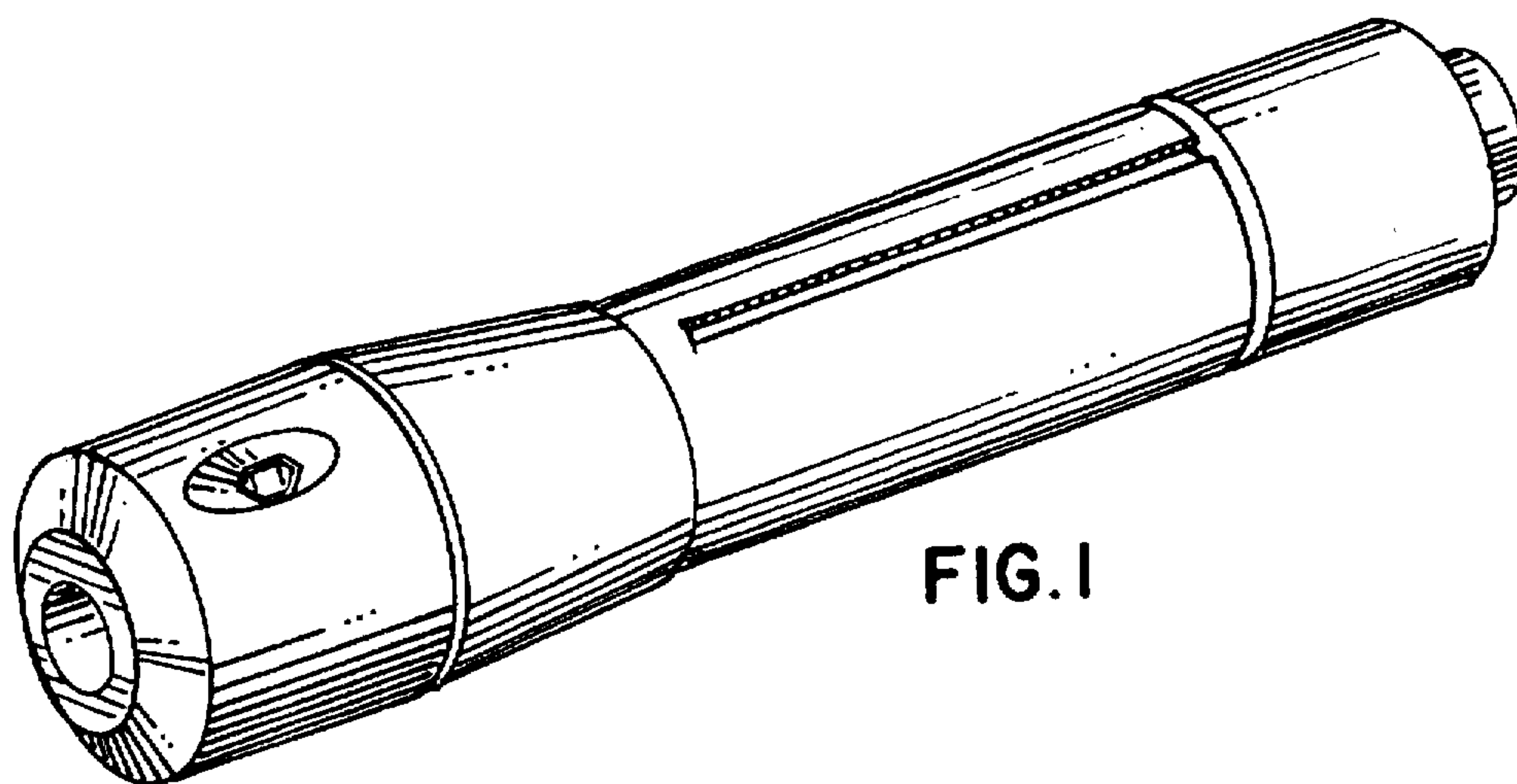


FIG. 1

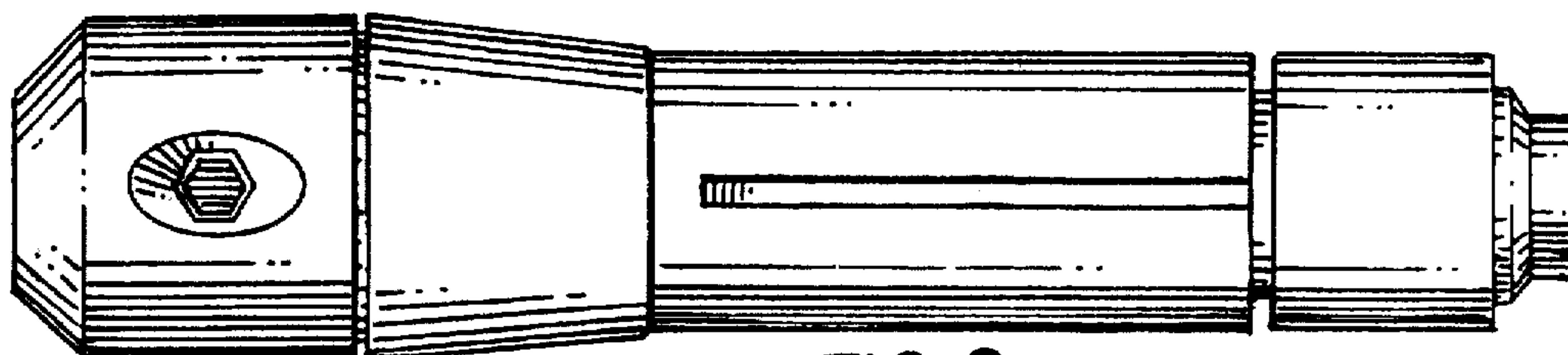


FIG. 2

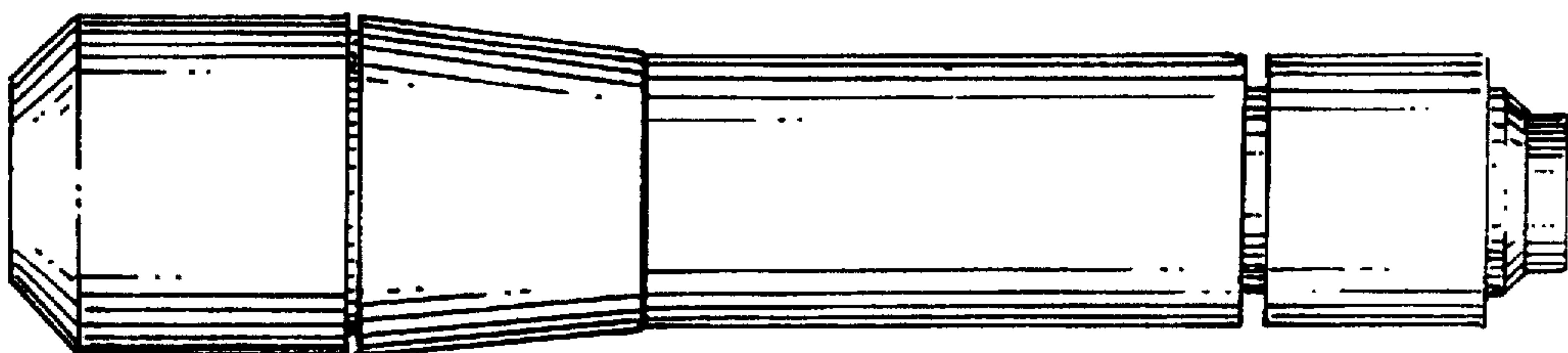


FIG. 3

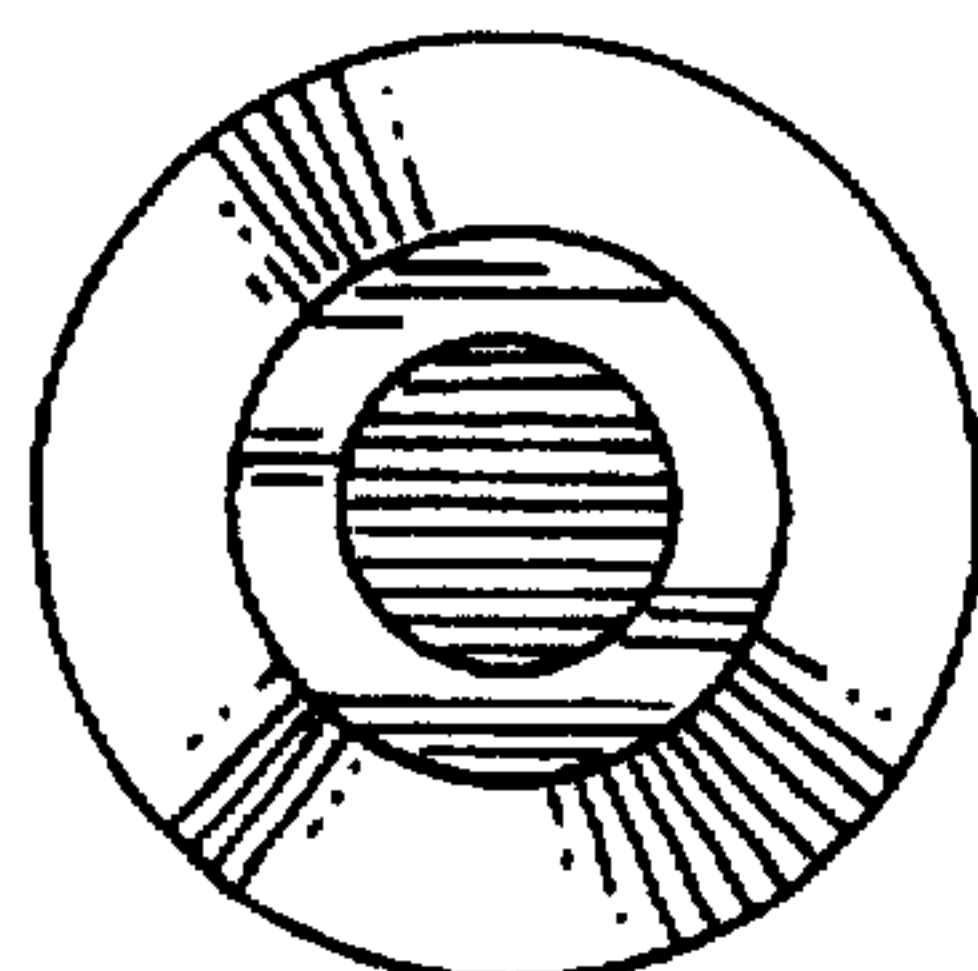


FIG. 4

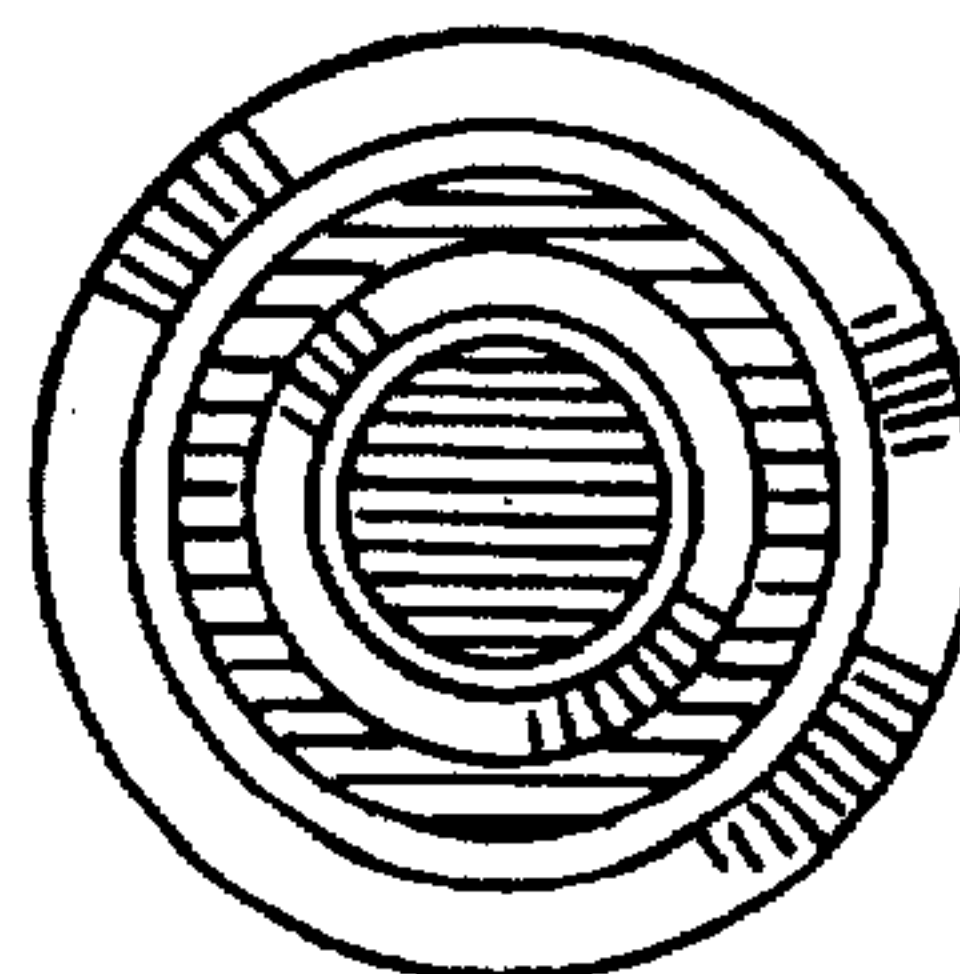


FIG. 5